



US00D534628S

(12) **United States Design Patent**
Chisenhall

(10) **Patent No.:** **US D534,628 S**

(45) **Date of Patent:** **** Jan. 2, 2007**

(54) **CONTROL PANEL FOR AUTOMOBILE AIR-CONDITIONING SYSTEMS**

(75) **Inventor:** **Jack Chisenhall**, San Antonio, TX (US)

(73) **Assignee:** **Vintage Air, Inc.**, San Antonio, TX (US)

(**) **Term:** **14 Years**

(21) **Appl. No.:** **29/230,406**

(22) **Filed:** **May 20, 2005**

(51) **LOC (8) Cl.** **12-16**

(52) **U.S. Cl.** **D23/324; D12/192**

(58) **Field of Classification Search** D23/324;
D12/174, 177, 192, 317, 345; D10/46, 98,
D10/102, 103, 125, 50; 296/190.1, 70; 362/482,
362/489; 73/431

See application file for complete search history.

(56) **References Cited**

U.S. PATENT DOCUMENTS

D227,551 S	*	7/1973	Bryant	D9/740
4,374,187 A	*	2/1983	Sano	429/175
D280,484 S	*	9/1985	Conti et al.	D7/391
5,065,667 A	*	11/1991	Ziegler	454/69
D354,678 S	*	1/1995	Dalbo	D9/740
D372,658 S	*	8/1996	Decursu et al.	D8/312
5,700,191 A	*	12/1997	Nieling et al.	454/69
D398,214 S	*	9/1998	Yui	D8/312
D401,545 S	*	11/1998	Sacco et al.	D12/192
D403,641 S	*	1/1999	Sacco et al.	D12/192

D445,049 S	*	7/2001	Lee	D10/103
D464,556 S	*	10/2002	Laabs et al.	D8/343
D474,137 S	*	5/2003	Wyszogrod	D12/192
D474,434 S	*	5/2003	Pfeiffer et al.	D12/192
6,687,957 B1	*	2/2004	Worrell	16/433
6,860,224 B1	*	3/2005	Snider	116/310
7,036,188 B1	*	5/2006	Howie, Jr.	16/441
D525,517 S	*	7/2006	Baldwin	D8/310
2003/0131510 A1	*	7/2003	Ogawa	40/593
2006/0092129 A1	*	5/2006	Choquet et al.	345/156

* cited by examiner

Primary Examiner—Louis S. Zarfaz

Assistant Examiner—Anna Dworzecka

(74) *Attorney, Agent, or Firm*—Strasburger & Price, LLP; Alan R. Thiele; David G. Moore

(57) **CLAIM**

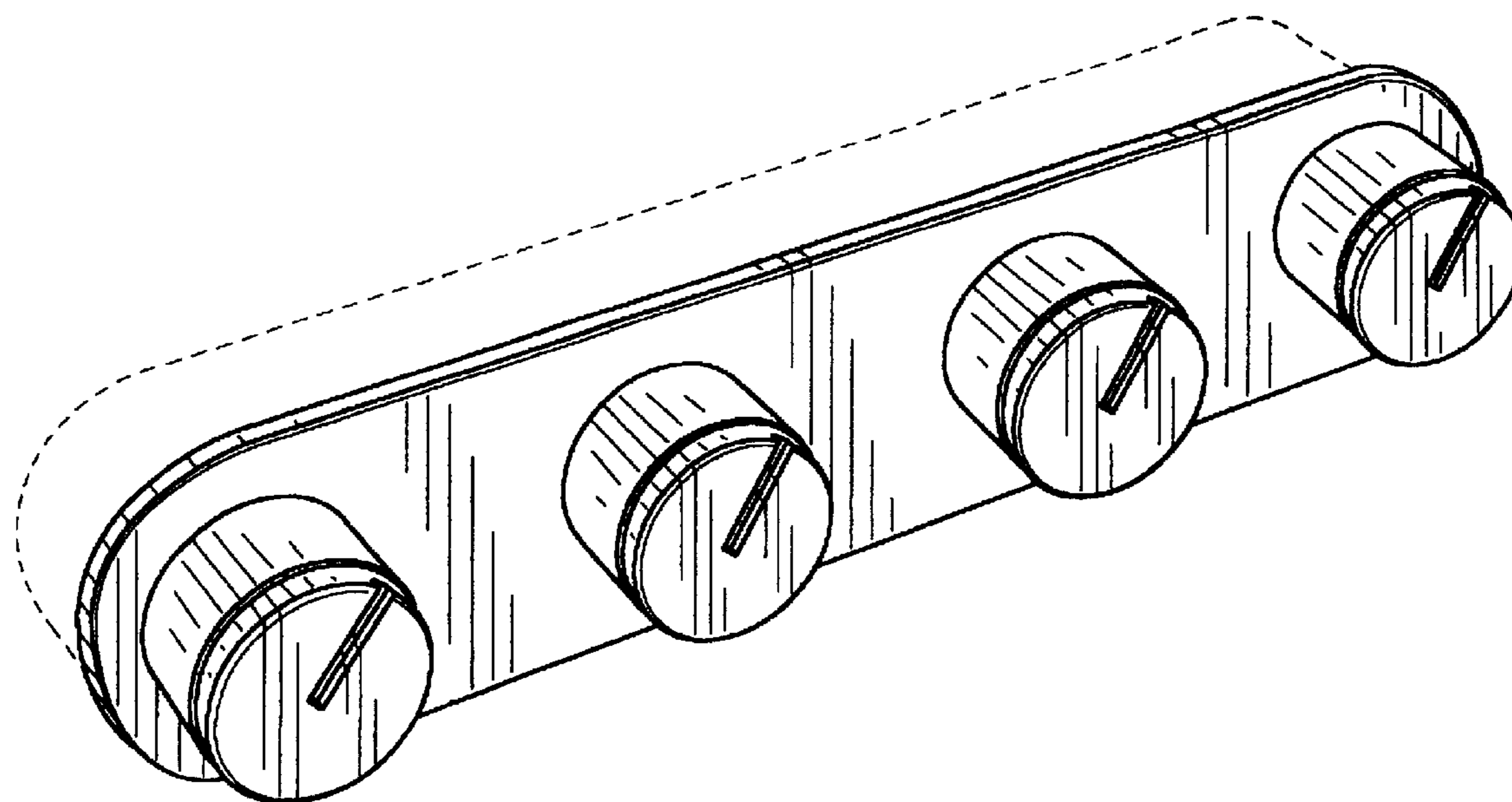
The ornamental design for a control panel for automobile air-conditioning systems, as shown and described.

DESCRIPTION

FIG. 1 is a perspective view of the control panel for automobile air-conditioning systems; FIG. 2 is a top plan view; FIG. 3 is a front elevational view; FIG. 4 is a right side elevational view; FIG. 5 is a left side elevational view; FIG. 6 is a bottom plan view; and, FIG. 7 is a rear elevational view.

The broken line showing the back of the control panel is for illustrative purposes only and forms no part of the claimed design.

1 Claim, 2 Drawing Sheets



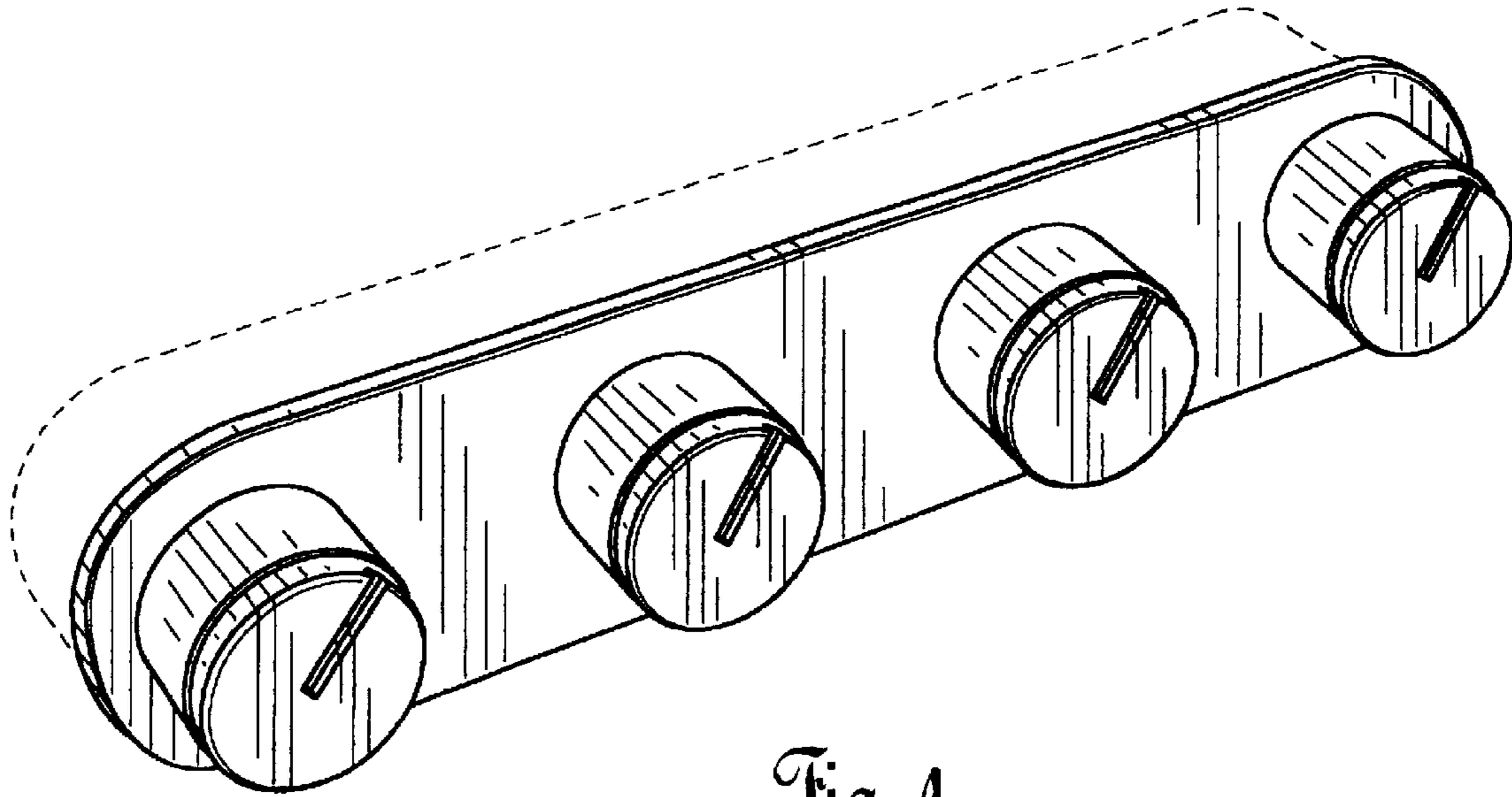


Fig. 1

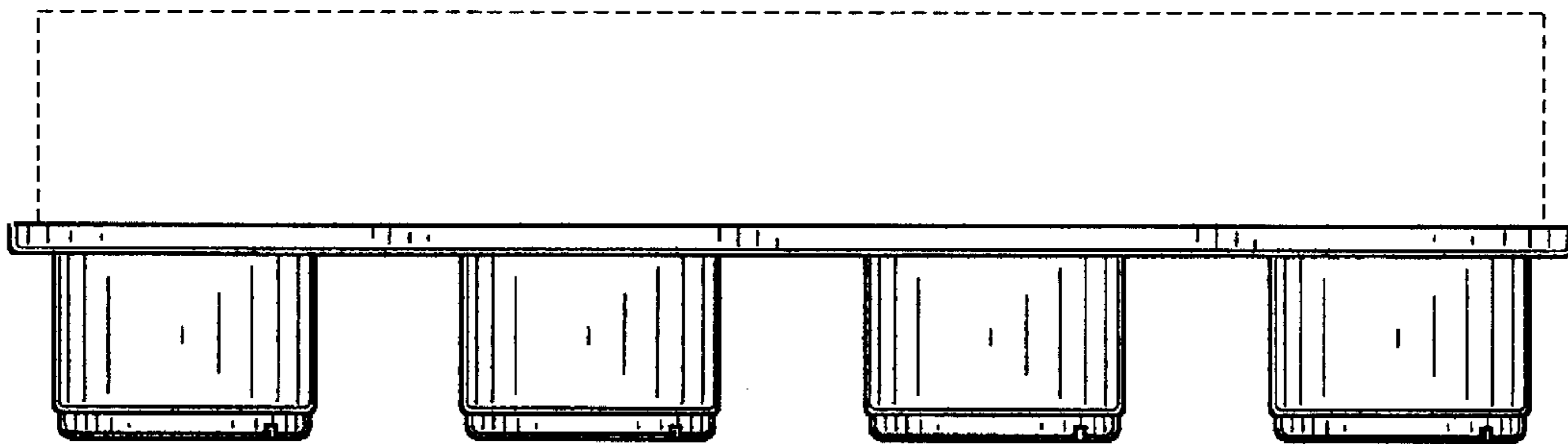


Fig. 2

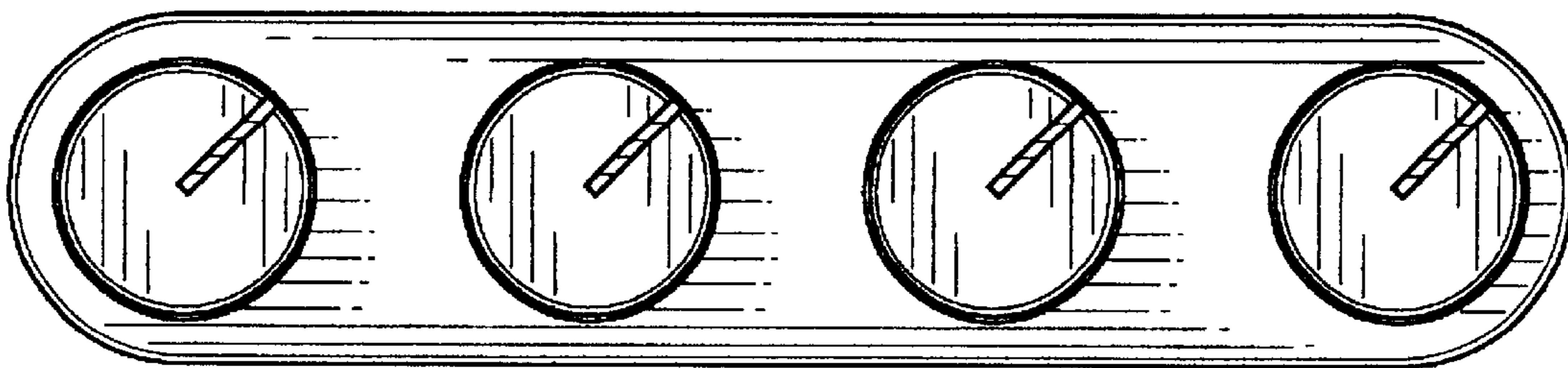


Fig. 3

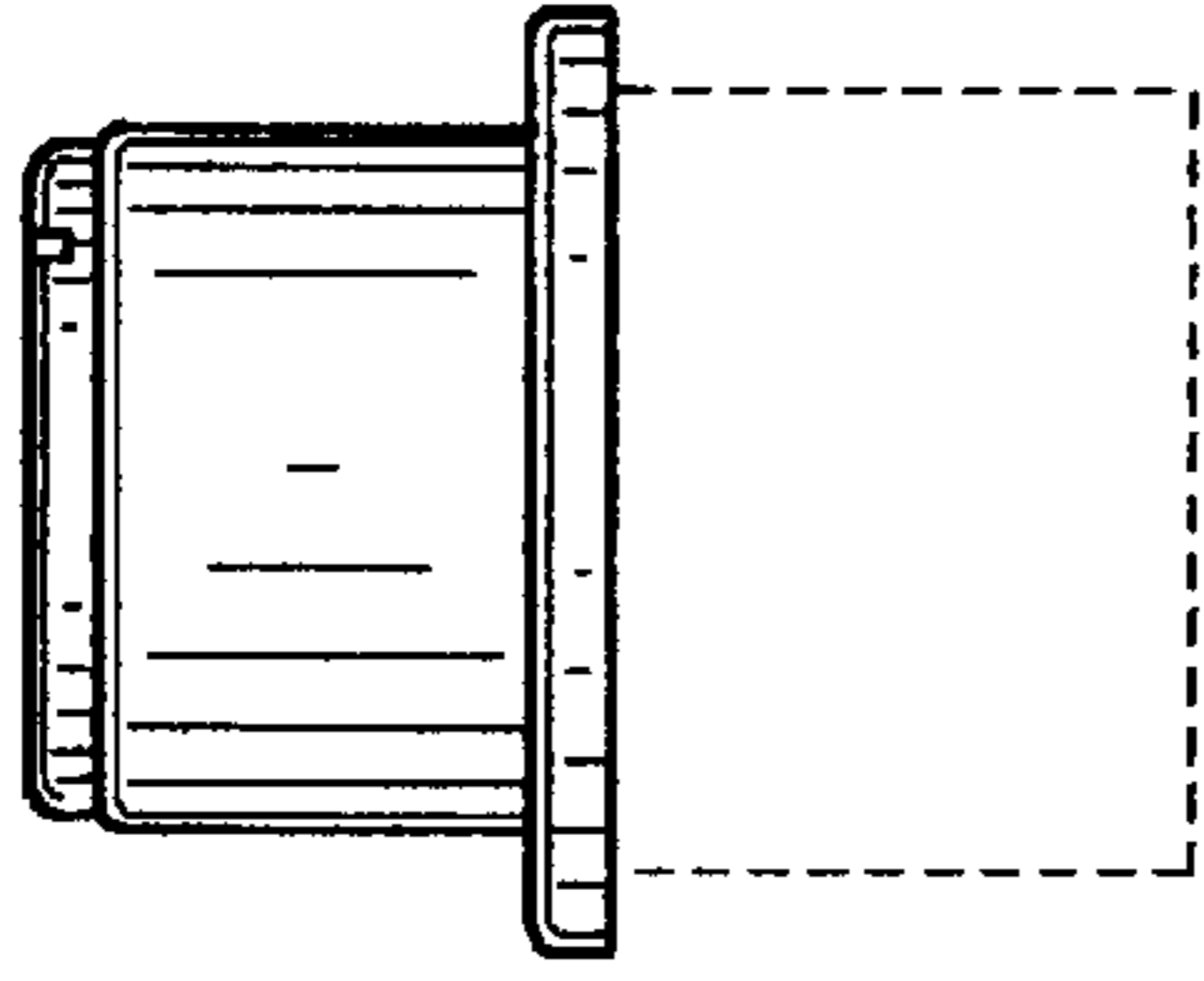


Fig. 4

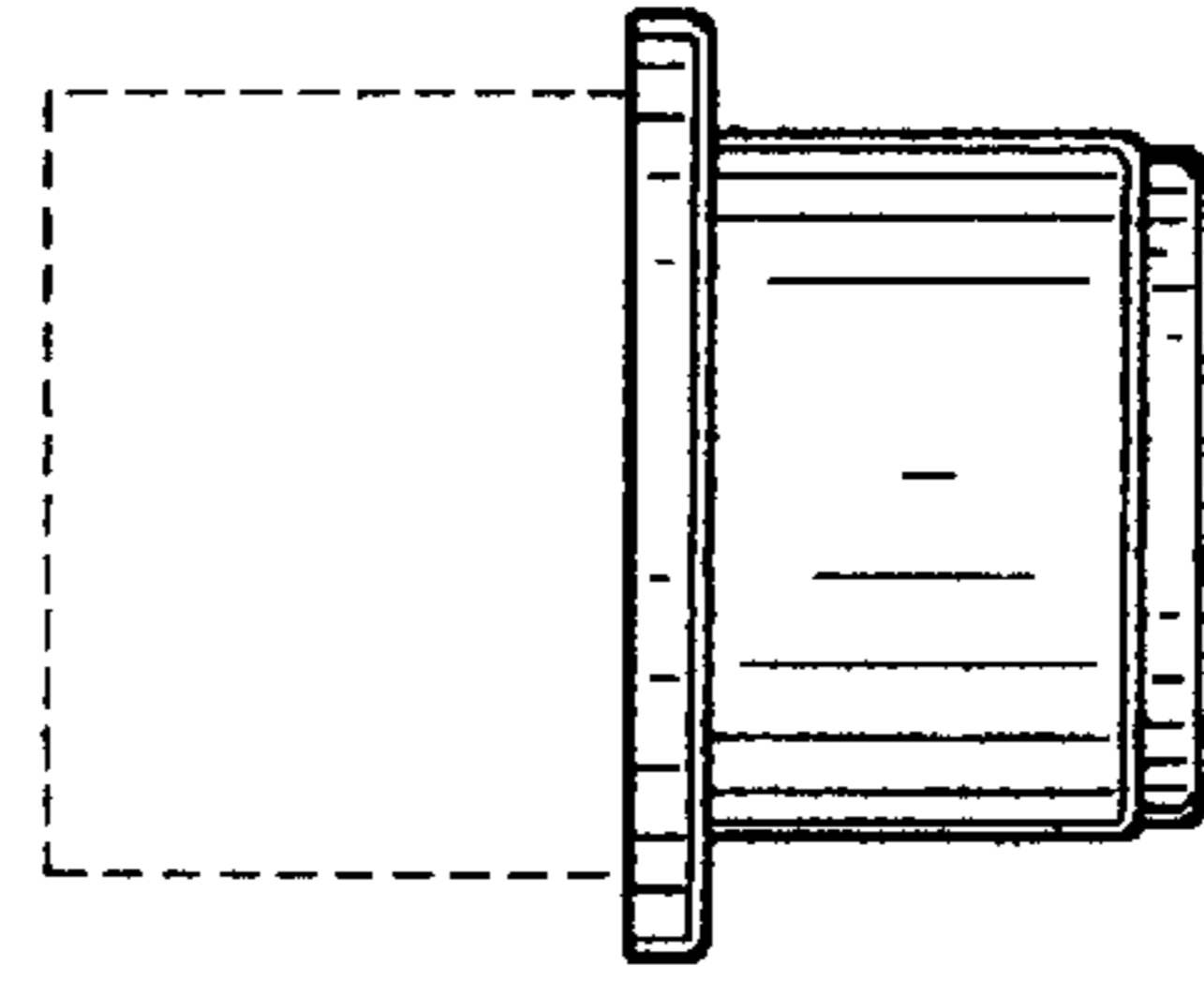


Fig. 5

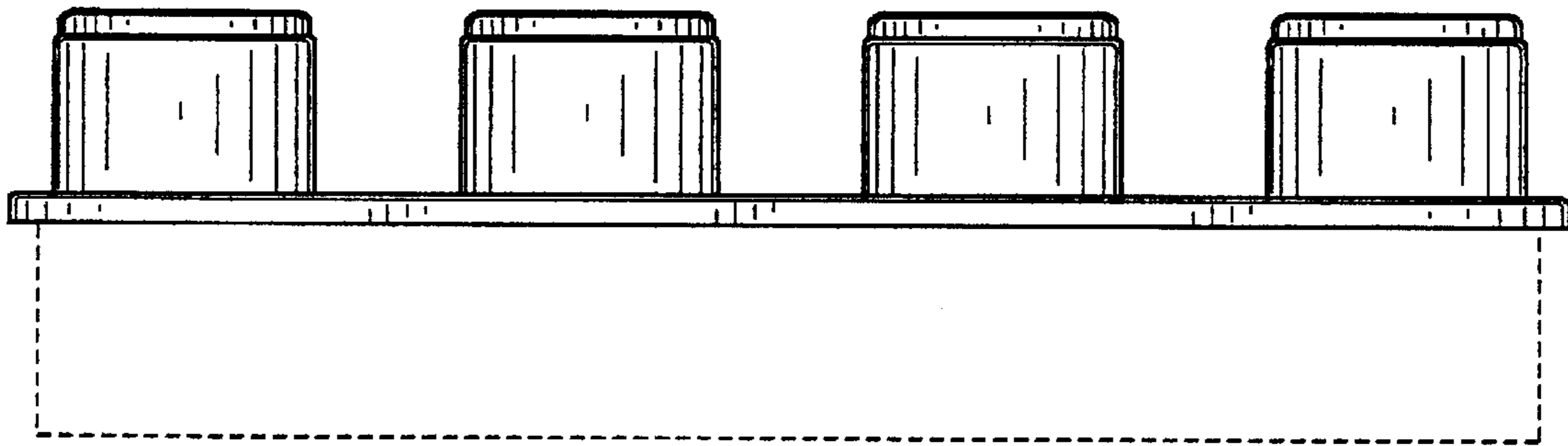


Fig. 6

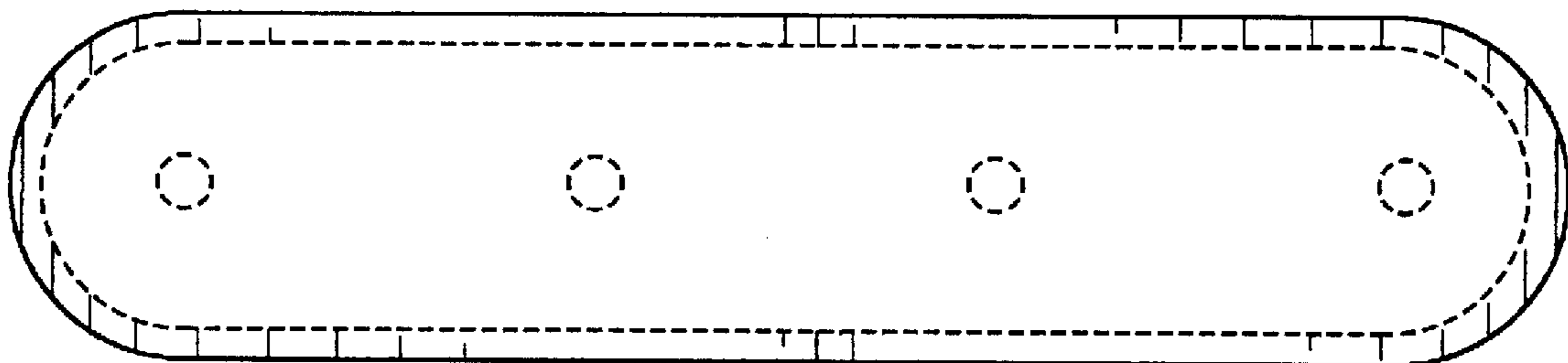


Fig. 7