

US00D534627S

(12) **United States Design Patent**  
**Stokes**

(10) **Patent No.:** **US D534,627 S**

(45) **Date of Patent:** **\*\* Jan. 2, 2007**

(54) **HEATING APPARATUS**

(75) Inventor: **Richard Stokes**, Dorset (GB)

(73) Assignee: **Focal Point Fires PLC**, Dorset (GB)

(\*\*) Term: **14 Years**

(21) Appl. No.: **29/226,845**

(22) Filed: **Apr. 1, 2005**

(30) **Foreign Application Priority Data**

Oct. 4, 2004 (EM) ..... 000235783-0004

(51) **LOC (8) Cl.** ..... **23-03**

(52) **U.S. Cl.** ..... **D23/314; D23/335**

(58) **Field of Classification Search** ..... D23/328,  
D23/357, 353, 386, 336, 335, 354, 342; 430/5;  
347/86; 62/310

See application file for complete search history.

(56) **References Cited**

**U.S. PATENT DOCUMENTS**

D300,459 S	*	3/1989	Hoyle	.....	D23/354
D318,911 S	*	8/1991	Tobin et al.	.....	D23/354
D323,209 S	*	1/1992	Fukumoto et al.	.....	D23/351
D330,585 S	*	10/1992	Saito et al.	.....	D23/351
D349,338 S	*	8/1994	Crinion	.....	D23/386
D398,974 S	*	9/1998	Aihara	.....	D23/351

D416,315 S	*	11/1999	Nanjo	.....	D23/351
D426,292 S	*	6/2000	Nanjo	.....	D23/351
D448,462 S	*	9/2001	Nanjo	.....	D23/351
D469,525 S	*	1/2003	Giugiaro	.....	D23/328
D477,864 S	*	7/2003	Giugiaro	.....	D23/328
D479,590 S	*	9/2003	Ko	.....	D23/342
D484,960 S	*	1/2004	Giugiaro	.....	D23/328
D484,961 S	*	1/2004	Giugiaro	.....	D23/328
D502,255 S	*	2/2005	Kim	.....	D23/351
D503,219 S	*	3/2005	Giugiaro	.....	D23/328
D509,888 S	*	9/2005	Giugiaro	.....	D23/328

\* cited by examiner

*Primary Examiner*—Louis S. Zarfaz

*Assistant Examiner*—Anna K. Dworzecka

(74) *Attorney, Agent, or Firm*—Richard M. Goldberg

(57) **CLAIM**

The ornamental design for heating apparatus, as shown and described.

**DESCRIPTION**

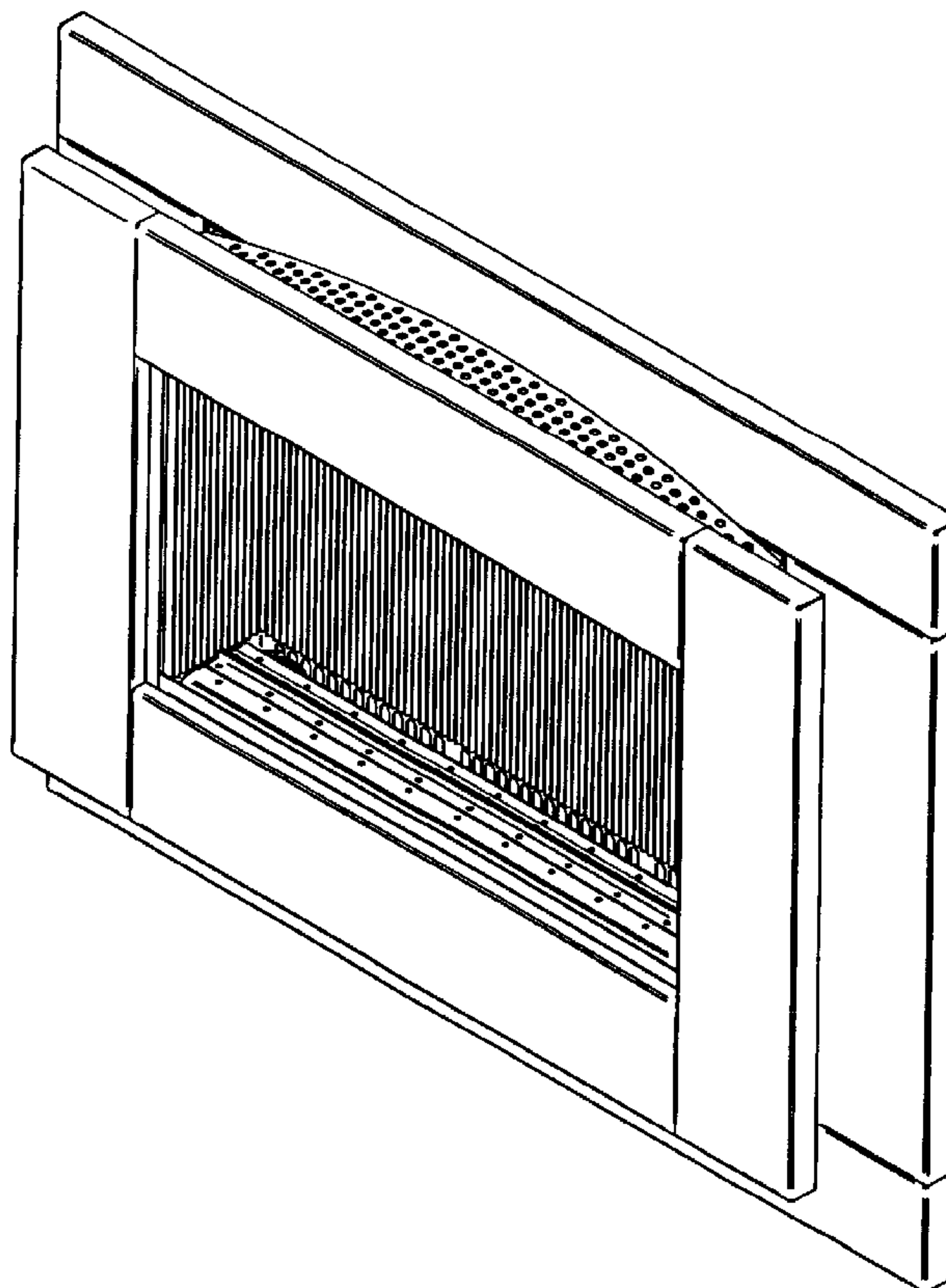
FIG. 1 is a perspective view of the heating apparatus of my design;

FIG. 2 is a front elevational view thereof;

FIG. 3 is a top plan view thereof; and,

FIG. 4 is a left side elevational view thereof, the right side elevational view being a mirror image thereof.

**1 Claim, 4 Drawing Sheets**



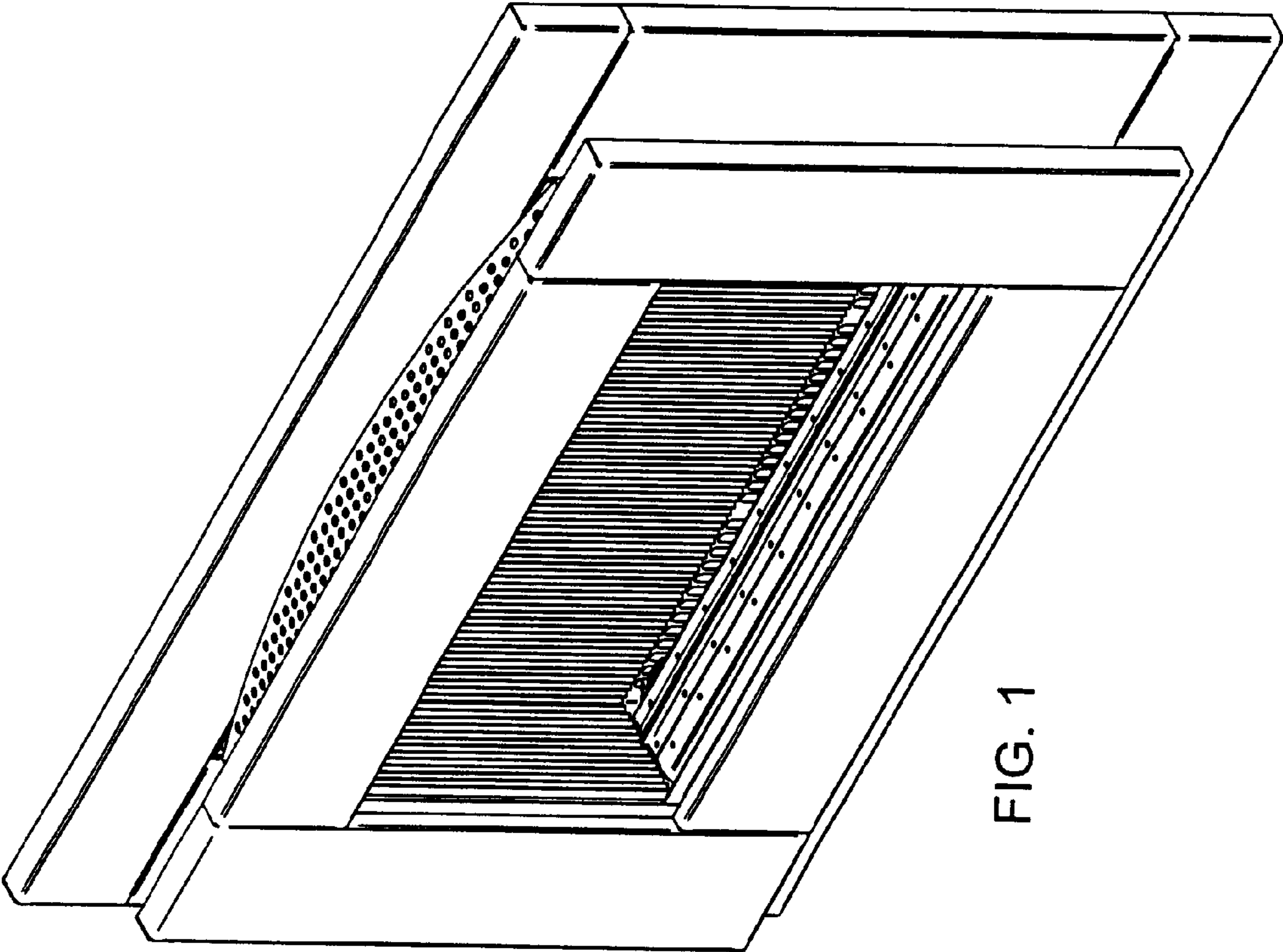


FIG. 1

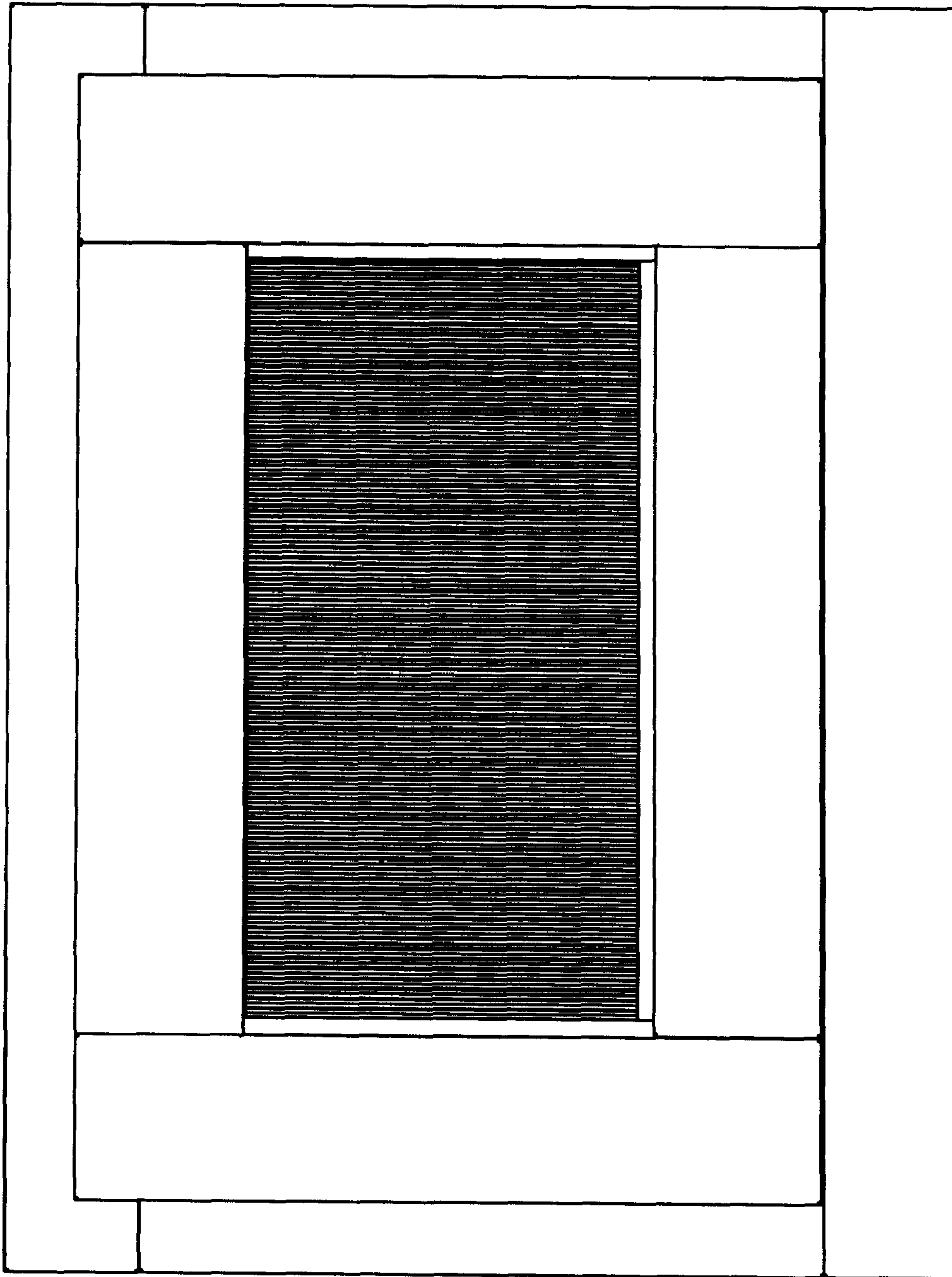


FIG. 2

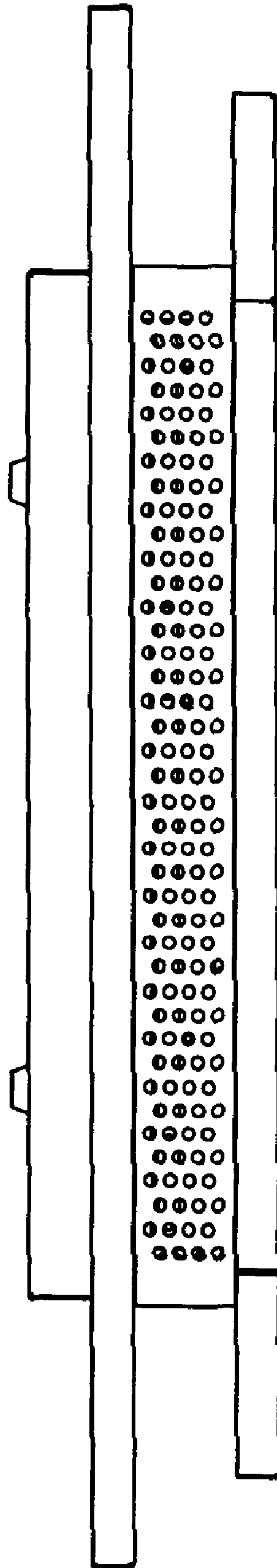


FIG. 3

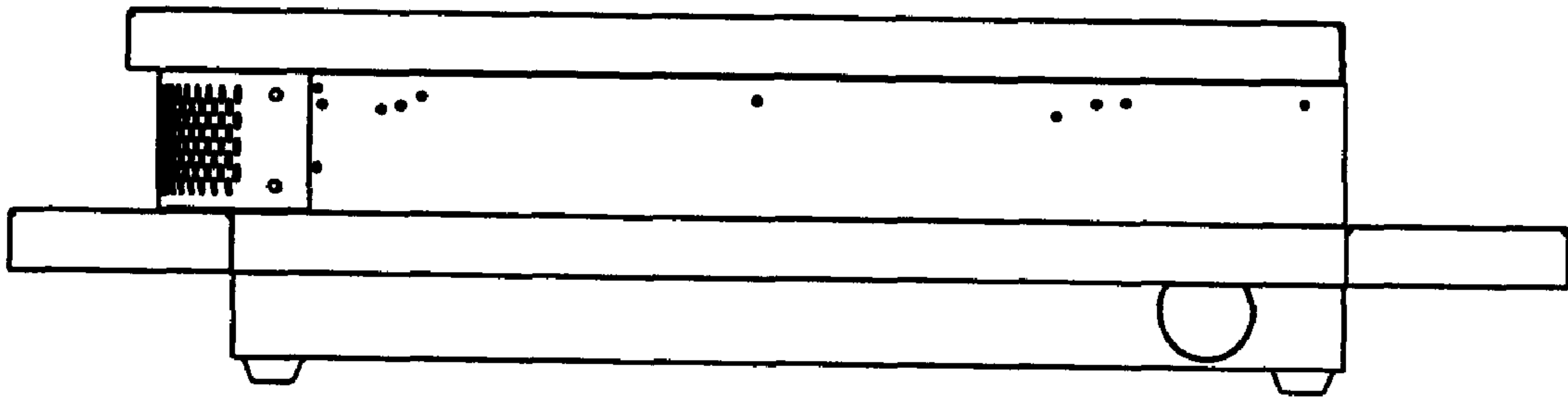


FIG. 4