



US00D534626S

(12) **United States Design Patent**
Morris et al.

(10) **Patent No.:** **US D534,626 S**
(45) **Date of Patent:** **** Jan. 2, 2007**

(54) **FOLDING SINK**

FOREIGN PATENT DOCUMENTS

(75) Inventors: **Michael Morris**, New York, NY (US);
Yoshiko Sato, New York, NY (US); **J.**
Christopher Forman, Brooklyn, NY
(US)

GB	8612	2/1904
GB	2969	4/1907
GB	23086	6/1910
GB	107955	7/1917
GB	359214	10/1931
JP	2002-136438	5/2002
JP	2002-235354	8/2002

(73) Assignee: **Morris Sato Studio LLP**, New York,
NY (US)

* cited by examiner

(**) Term: **14 Years**

Primary Examiner—Robert A. Delehanty

(21) Appl. No.: **29/221,677**

(74) *Attorney, Agent, or Firm*—Wilmer Cutler Pickering
Hale and Dorr LLP

(22) Filed: **Jan. 19, 2005**

(57) **CLAIM**

(51) **LOC (8) Cl.** **23-02**

The ornamental design for a folding sink, as shown.

(52) **U.S. Cl.** **D23/286**

DESCRIPTION

(58) **Field of Classification Search** D23/273,
D23/284–287, 293.1, 303, 308; 4/619–620,
4/624–625, 630–631, 661; 312/140.1–140.3,
312/204, 228; D6/398, 432–434, 441, 445–448,
D6/509–510

FIG. 1 is a front, right, top perspective view of a folding sink with the sink in the folded position, showing our new design; FIG. 2 is a front elevational view thereof; FIG. 3 is a left side elevational view thereof; FIG. 4 is a right side elevational view thereof; FIG. 5 is a top plan view thereof; FIG. 6 is a front, right, bottom perspective view thereof; FIG. 7 is a front, right, top perspective view of the folding sink with the sink in the unfolded position; FIG. 8 is a front elevational view thereof; FIG. 9 is a left side elevational view thereof; FIG. 10 is a right side elevational view thereof; FIG. 11 is a top plan view thereof; FIG. 12 is a front, right, bottom perspective view thereof; and, FIG. 13 is a front, right, top perspective view of the folding sink with the sink in the unfolded position and the medicine cabinet door in the open position.

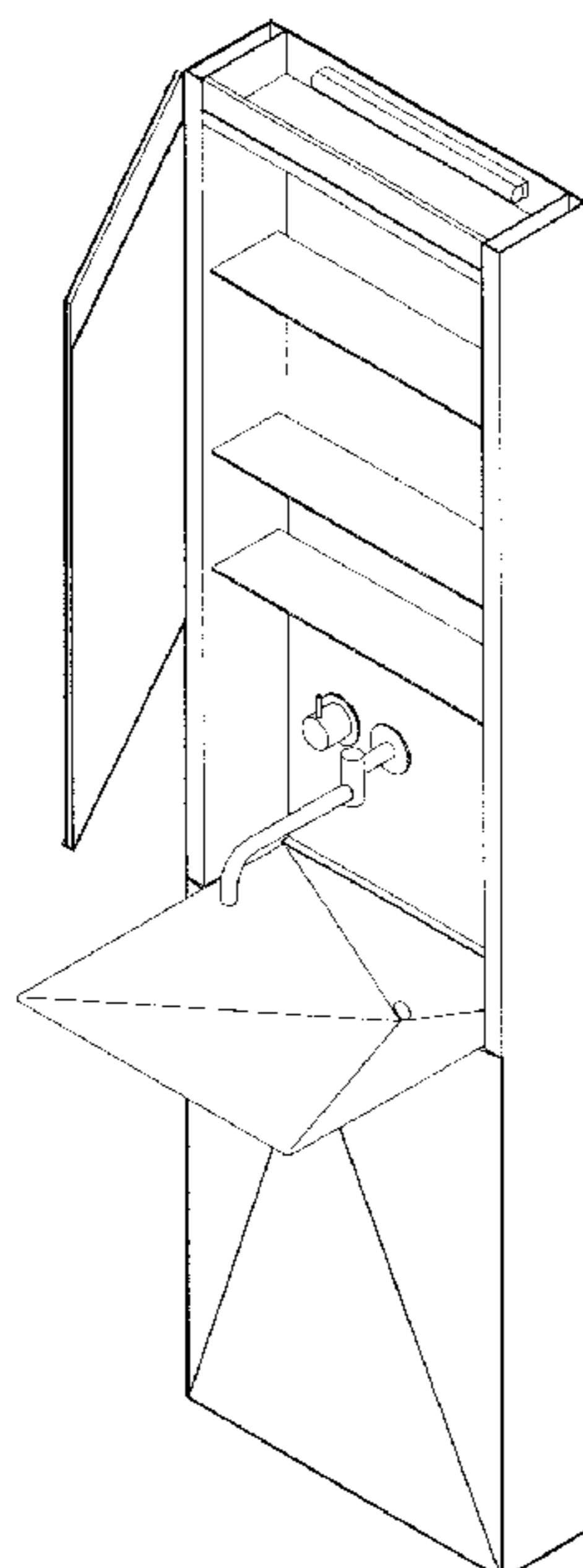
See application file for complete search history.

(56) **References Cited**

U.S. PATENT DOCUMENTS

449,430	A	3/1891	Polakoff et al.	
602,494	A	4/1898	Briggs	
2,130,196	A	* 9/1938	Sakier	4/630
2,426,153	A	4/1947	Meldahl	
3,719,959	A	3/1973	Wkstrom	
D248,975	S	* 8/1978	Cole	D6/448
D367,105	S	2/1996	Goertz	
D401,693	S	* 11/1998	Kit	D23/286
D412,204	S	7/1999	Slothower et al.	
6,611,972	B1	9/2003	Underbrink et al.	
D489,155	S	4/2004	Underbrink	
6,817,642	B1	11/2004	Warning	

1 Claim, 13 Drawing Sheets



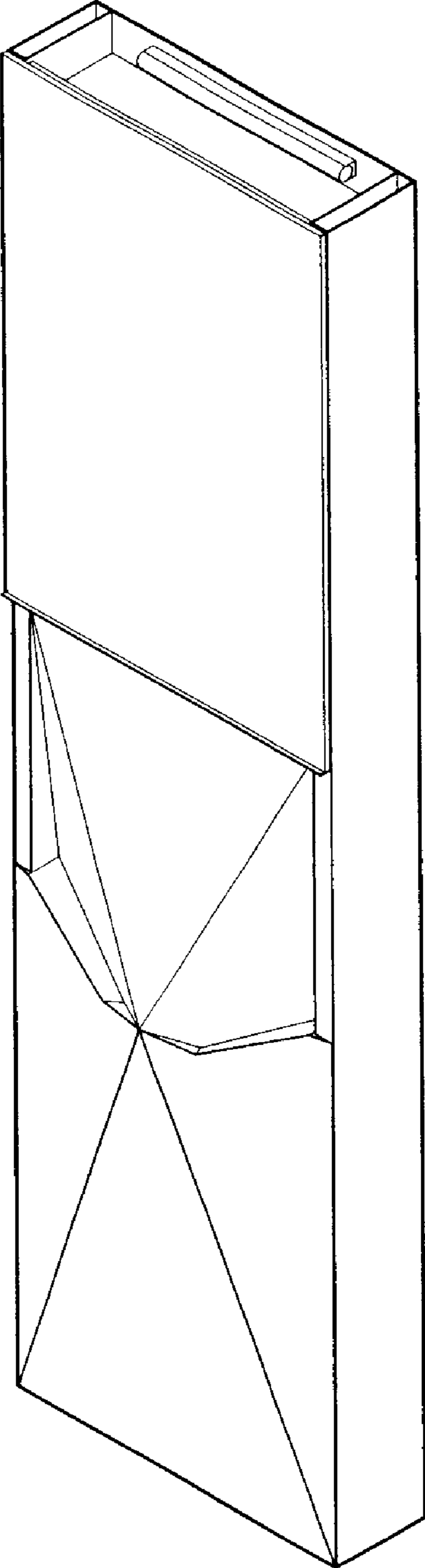


FIG. 1

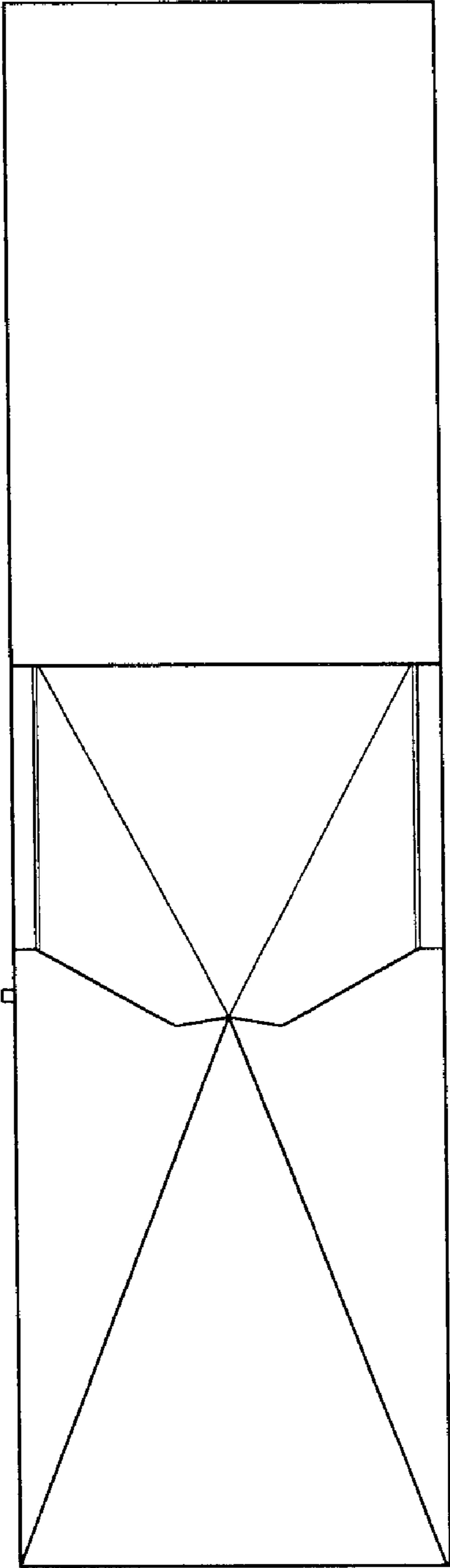


FIG. 2

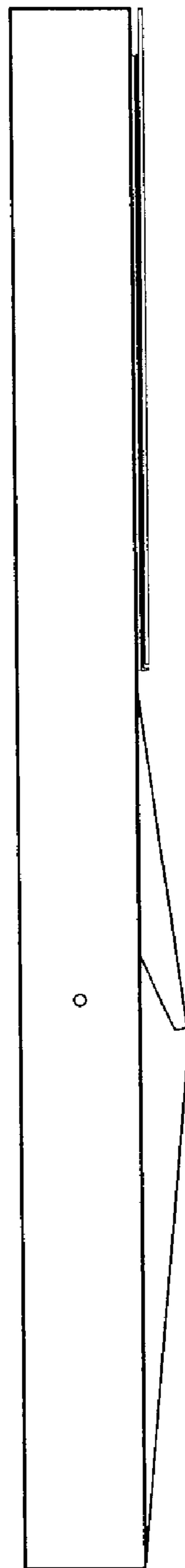


FIG. 3

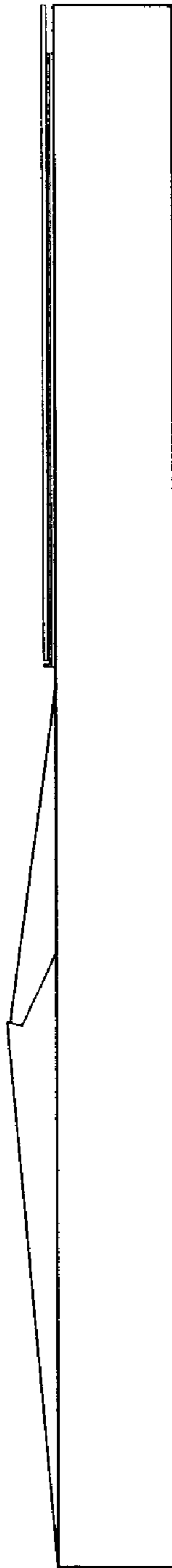


FIG. 4

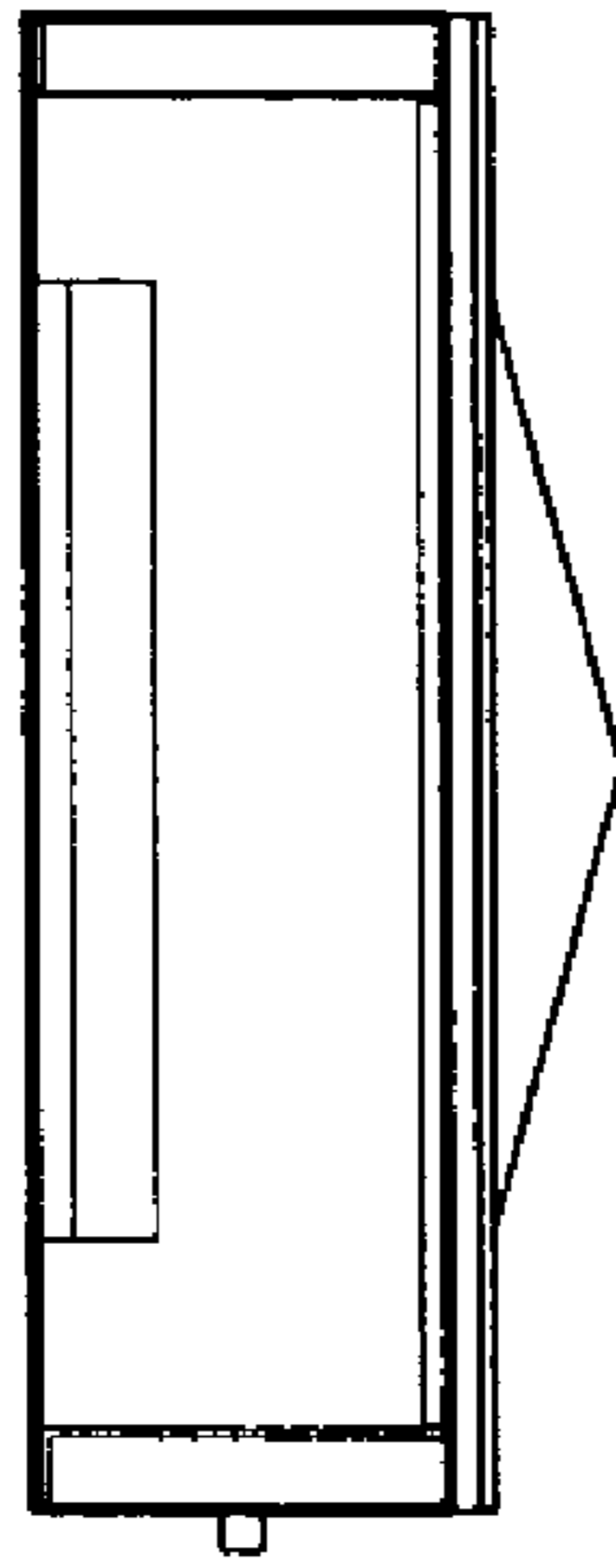


FIG. 5

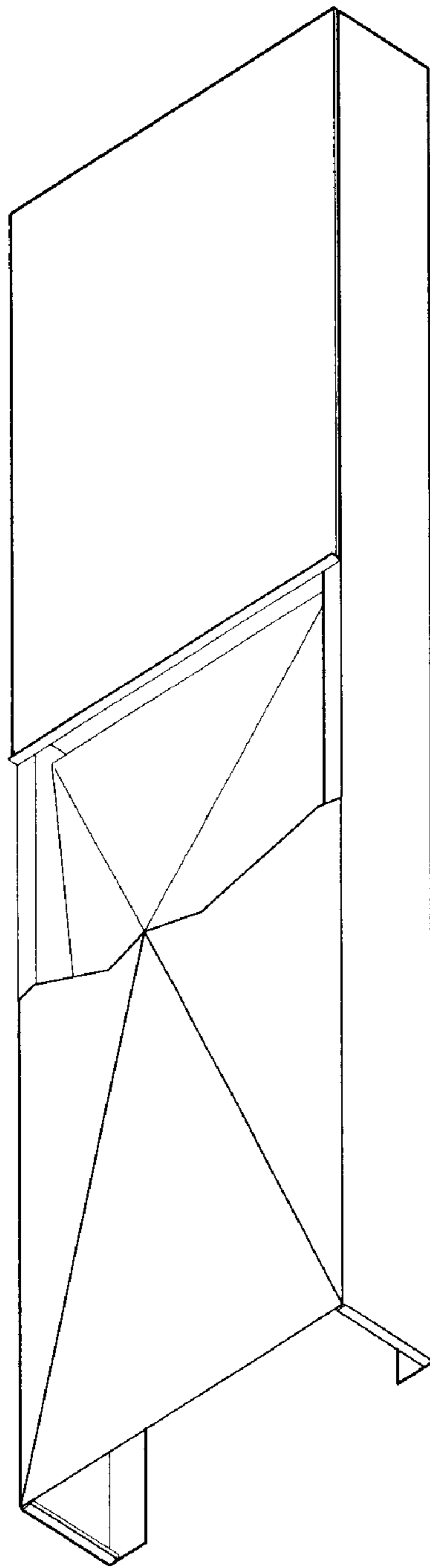


FIG. 6

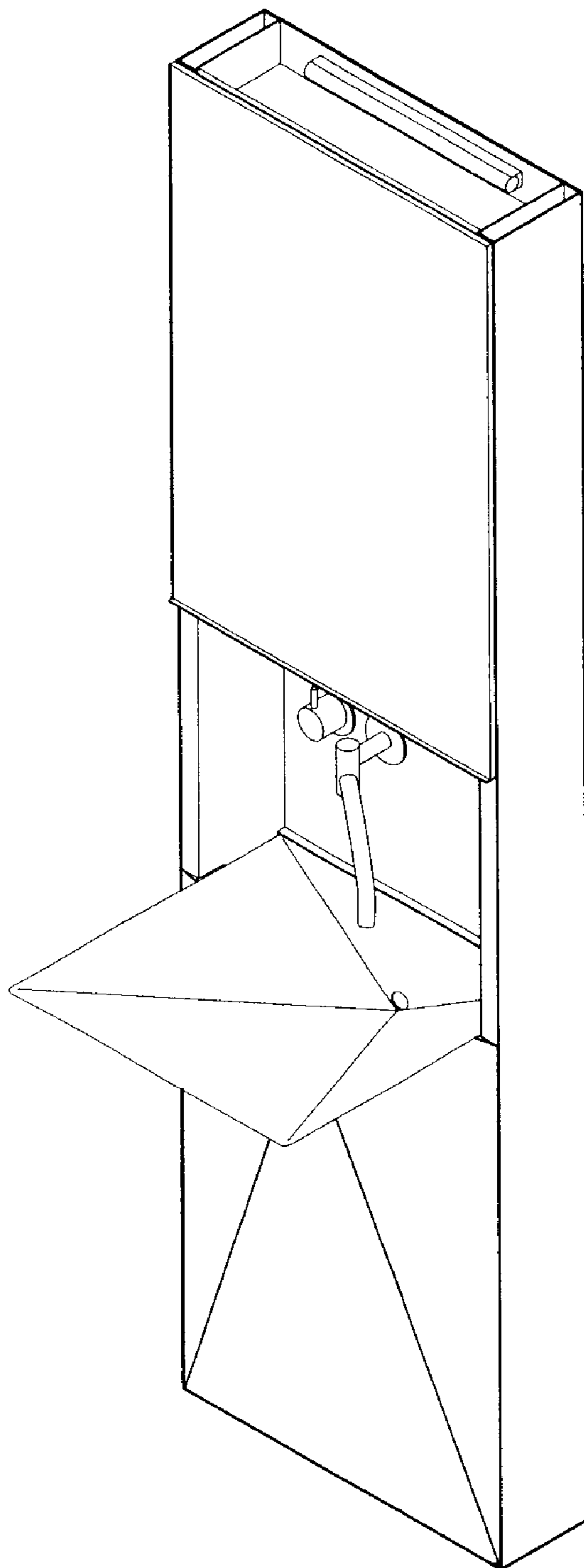


FIG. 7

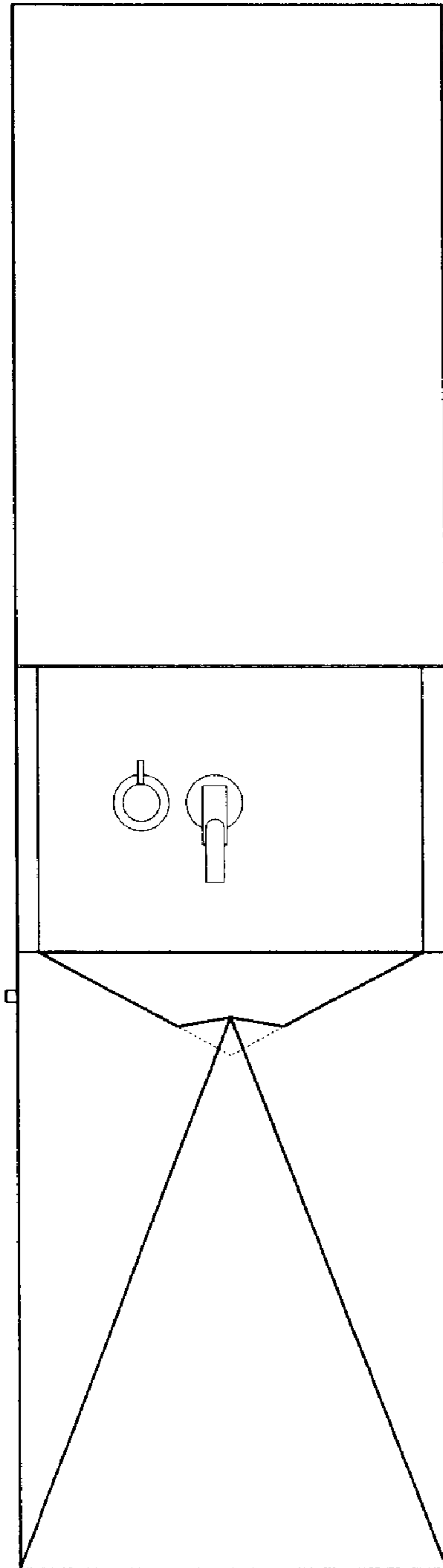


FIG. 8

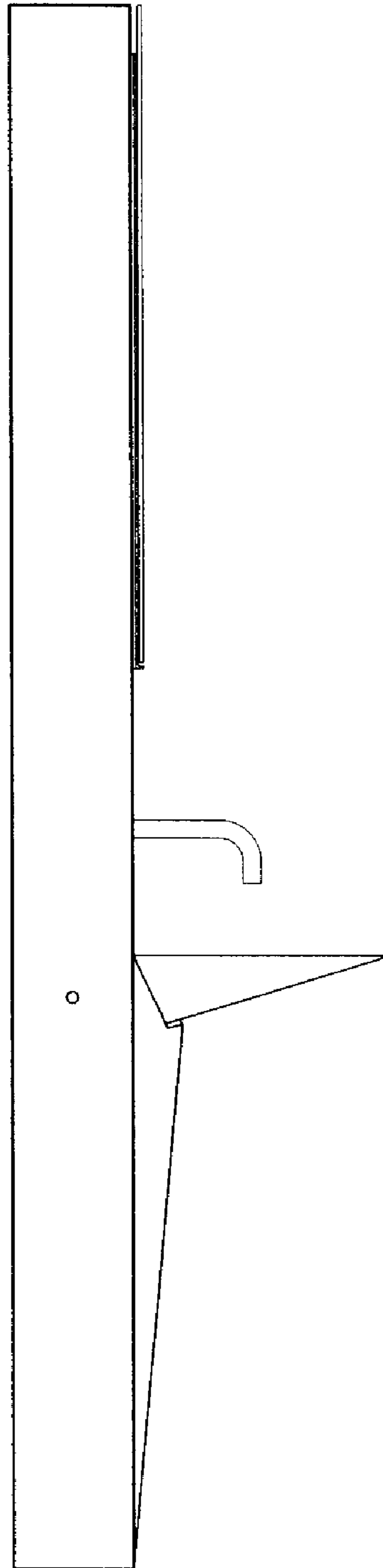


FIG. 9

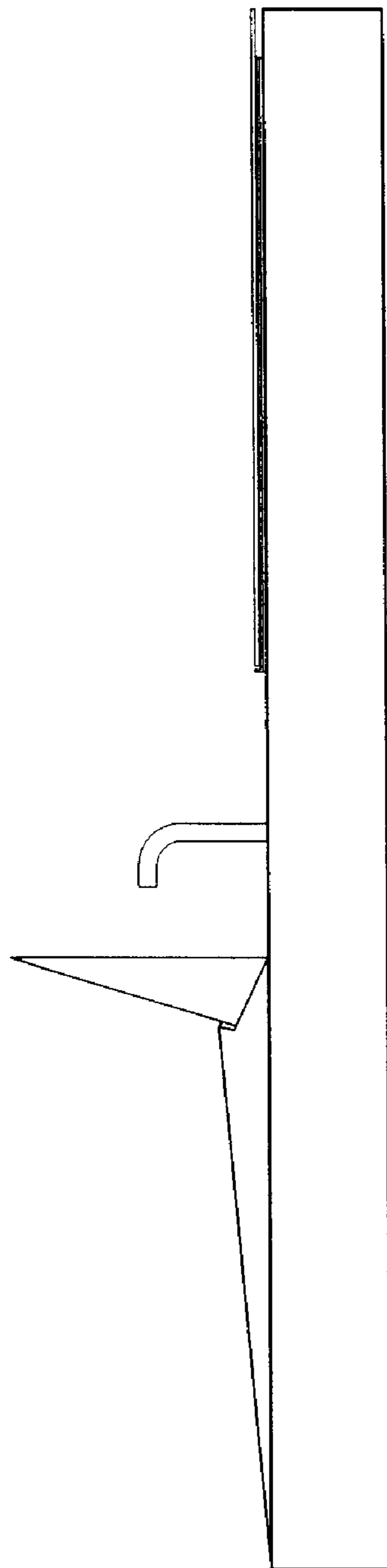


FIG. 10

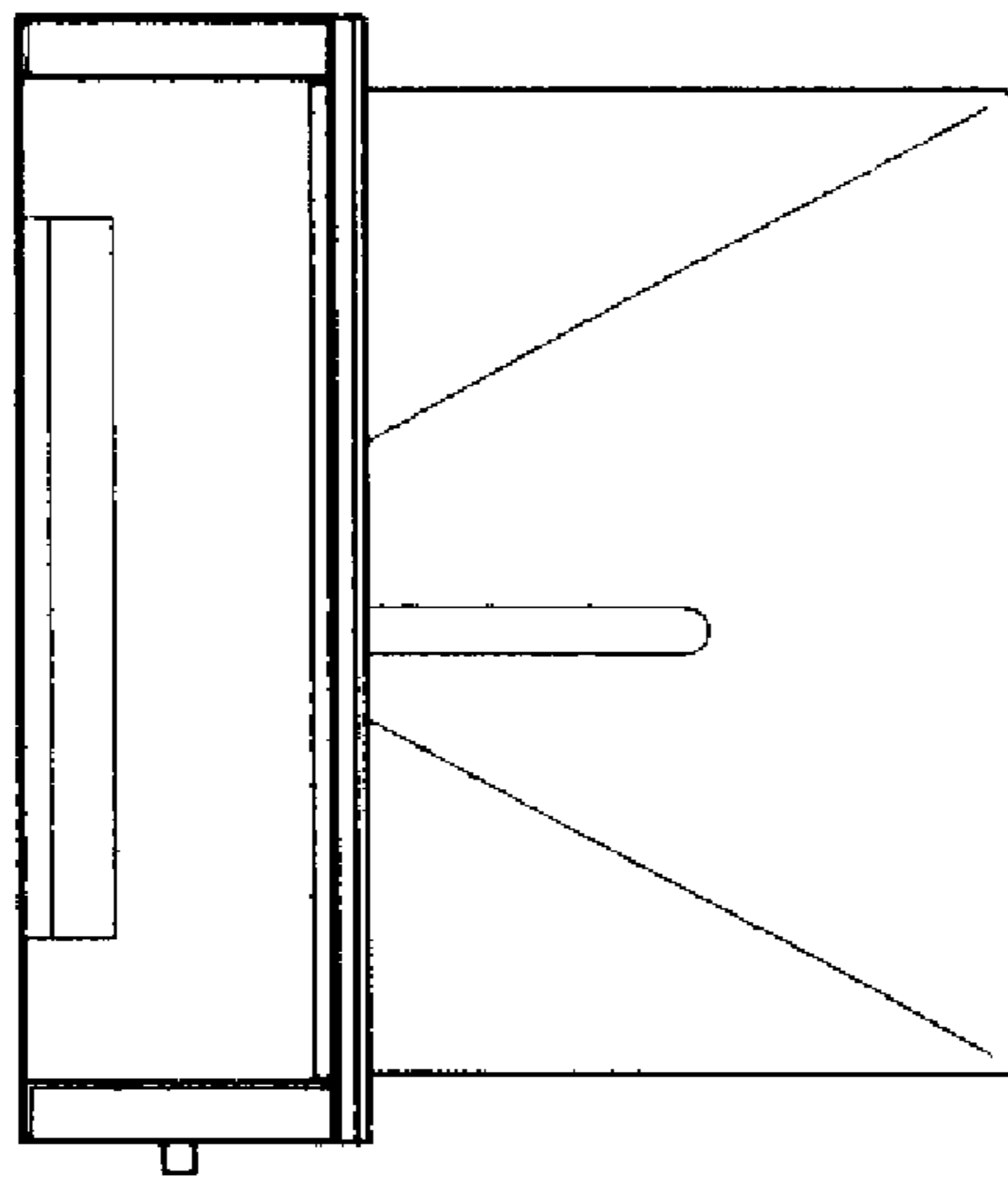


FIG. 11

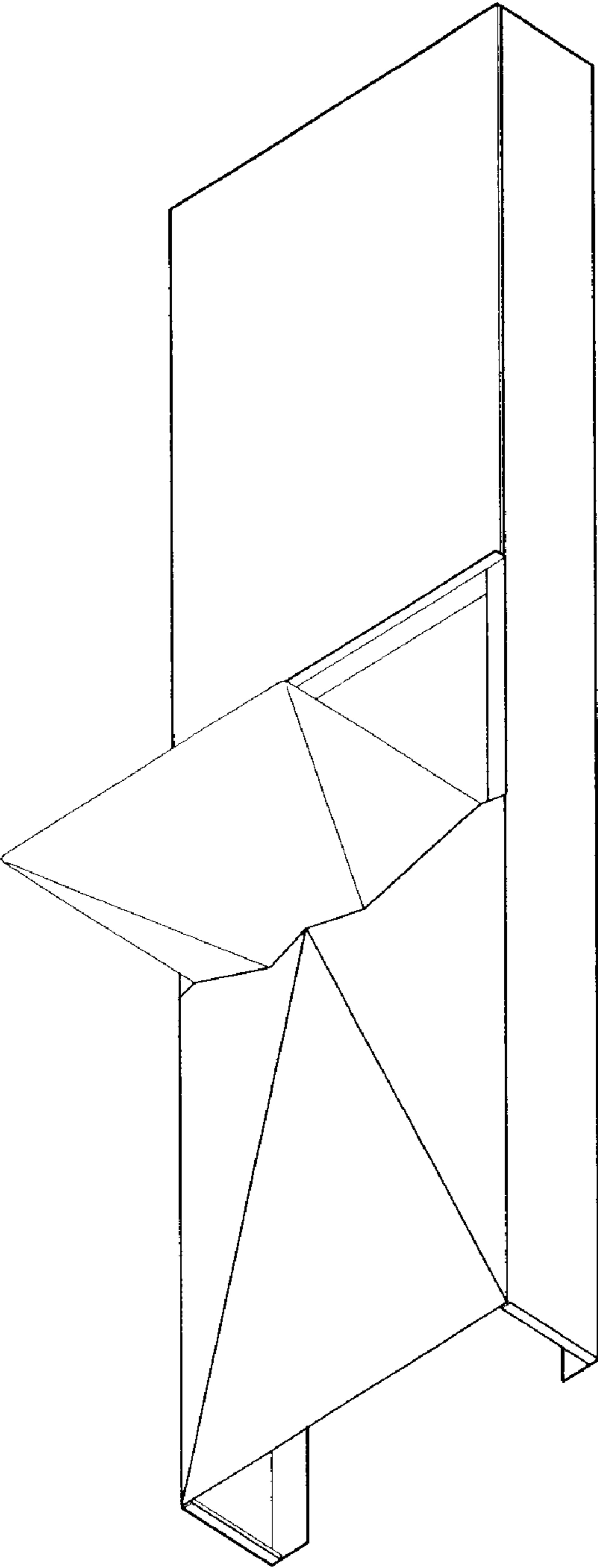


FIG. 12

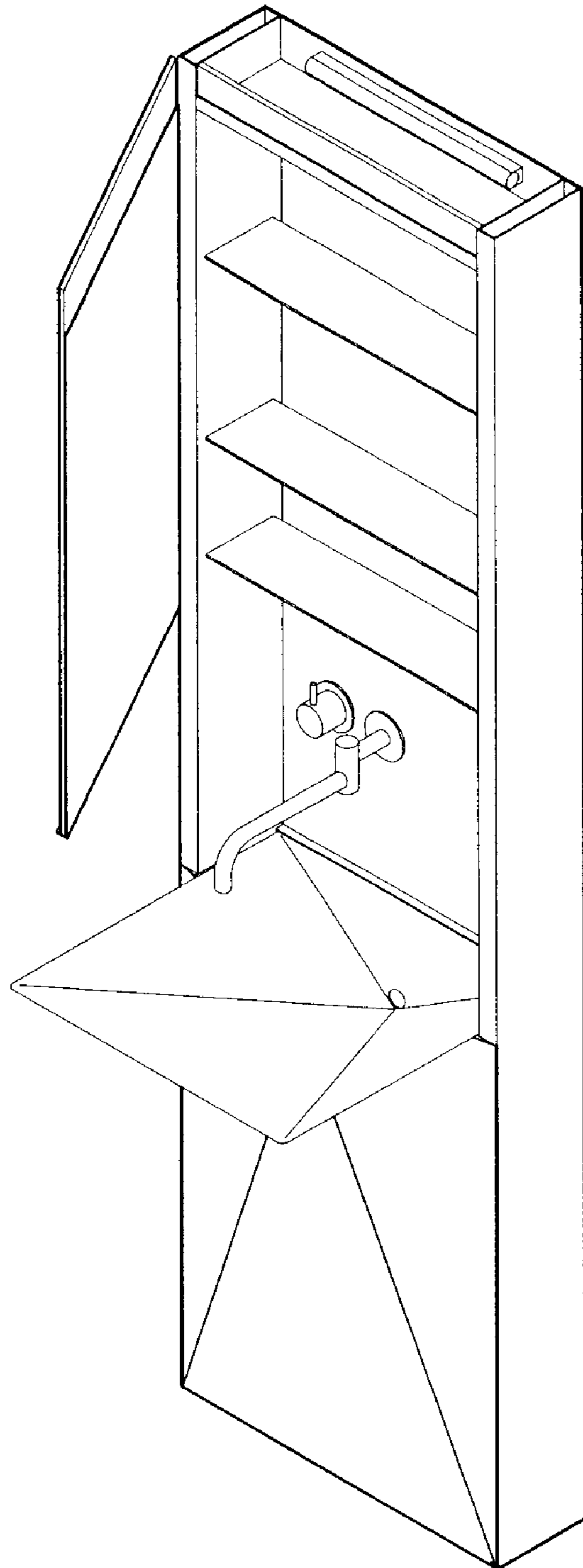


FIG. 13