



US00D534625S

(12) **United States Design Patent**
Kemp

(10) **Patent No.:** **US D534,625 S**
(45) **Date of Patent:** **** Jan. 2, 2007**

(54) **SPOUT**
(75) Inventor: **Douglas A. Kemp**, North Ridgeville,
OH (US)
(73) Assignee: **Moen Incorporated**, North Olmsted,
OH (US)
(**) Term: **14 Years**

D437,390 S 2/2001 Fleischmann
D444,849 S 7/2001 Hsiao
D476,396 S 6/2003 Hanna
D476,720 S 7/2003 Hanna
D477,861 S 7/2003 Lord
D481,107 S 10/2003 Lord
D487,302 S 3/2004 Enslin
D488,209 S 4/2004 Lobermeier
D488,211 S 4/2004 Lord

(21) Appl. No.: **29/244,878**
(22) Filed: **Dec. 14, 2005**

(51) **LOC (8) Cl.** **23-01**
(52) **U.S. Cl.** **D23/255; D23/232**
(58) **Field of Classification Search** D23/238-257,
D23/223; 4/675-678; 137/801
See application file for complete search history.

OTHER PUBLICATIONS

2003/0188381 , Faucet with Pull-Out Dispenser, Boiso
Orlando Oct. 9, 2003.*

* cited by examiner

Primary Examiner—Louis S. Zarfes
Assistant Examiner—Gregory Andoll
(74) *Attorney, Agent, or Firm*—Calfee, Walter & Griswold
LLP

(56) **References Cited**
U.S. PATENT DOCUMENTS

D295,437 S 4/1988 Fabian
D332,303 S 1/1993 Klose
D339,627 S 9/1993 Klose
5,361,431 A 11/1994 Freier et al.
D364,213 S 11/1995 Dannenberg et al.
D370,052 S 5/1996 Chan et al.
D374,271 S 10/1996 Fleischmann
D374,477 S 10/1996 Dow et al.
D390,919 S 2/1998 Lobermeier
D396,094 S 7/1998 Doughty et al.
D416,979 S 11/1999 Bosio
D422,337 S 4/2000 Chan
6,085,790 A 7/2000 Humpert et al.
6,123,106 A 9/2000 Benstead

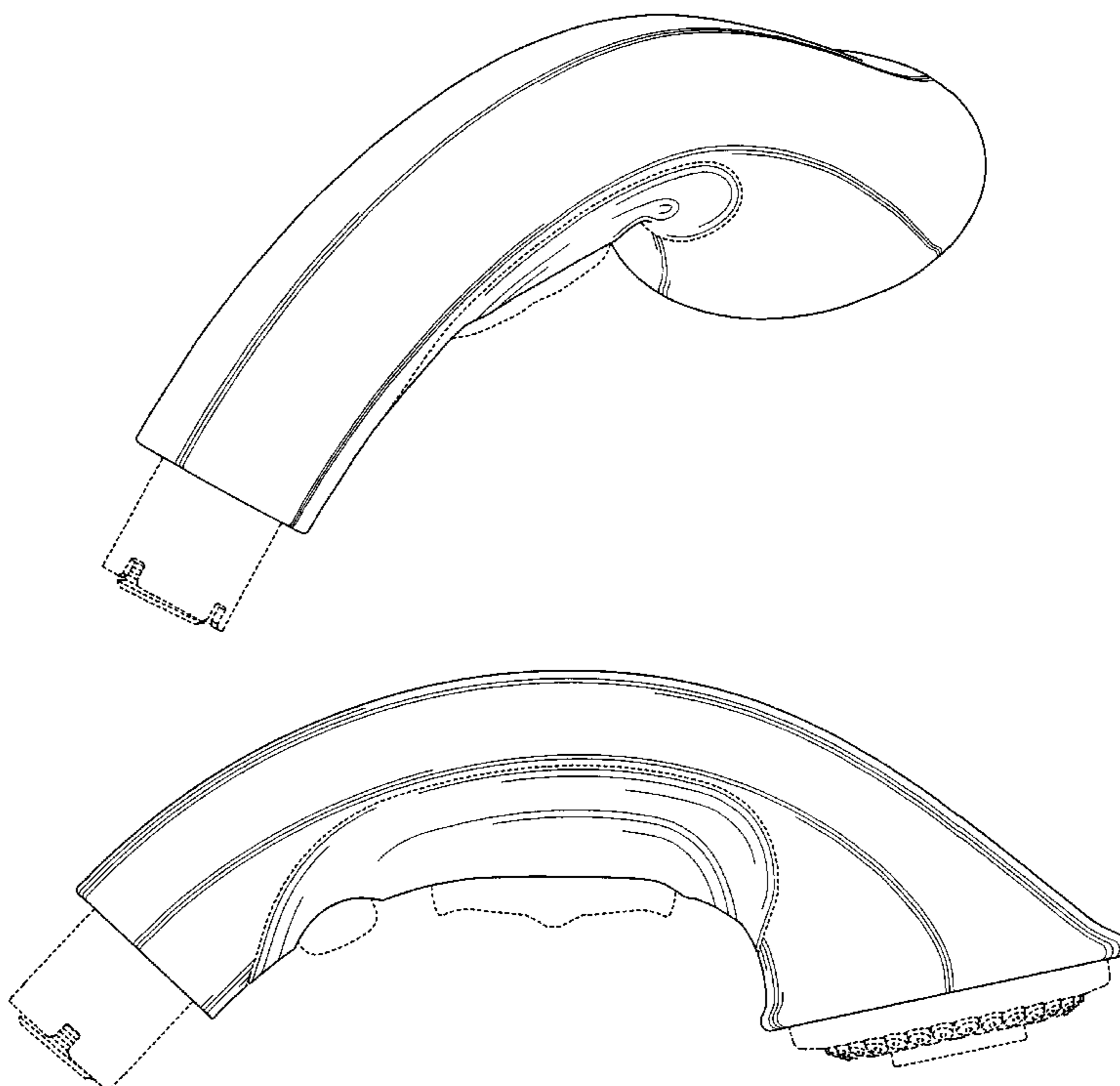
(57) **CLAIM**

The ornamental design for a spout, as shown and described.

DESCRIPTION

FIG. 1 is a perspective view of a spout of the new design;
FIG. 2 is a front elevational view of the spout of FIG. 1;
FIG. 3 is a rear elevational view of the spout of FIG. 1;
FIG. 4 is a left elevational view of the spout of FIG. 1;
FIG. 5 is a right elevational view of the spout of FIG. 1;
FIG. 6 is a top plan view of the spout of FIG. 1; and,
FIG. 7 is a bottom plan view of the spout of FIG. 1.
The portions of the Figures shown in broken lines are not
part of the claimed design and are for illustration only.

1 Claim, 4 Drawing Sheets



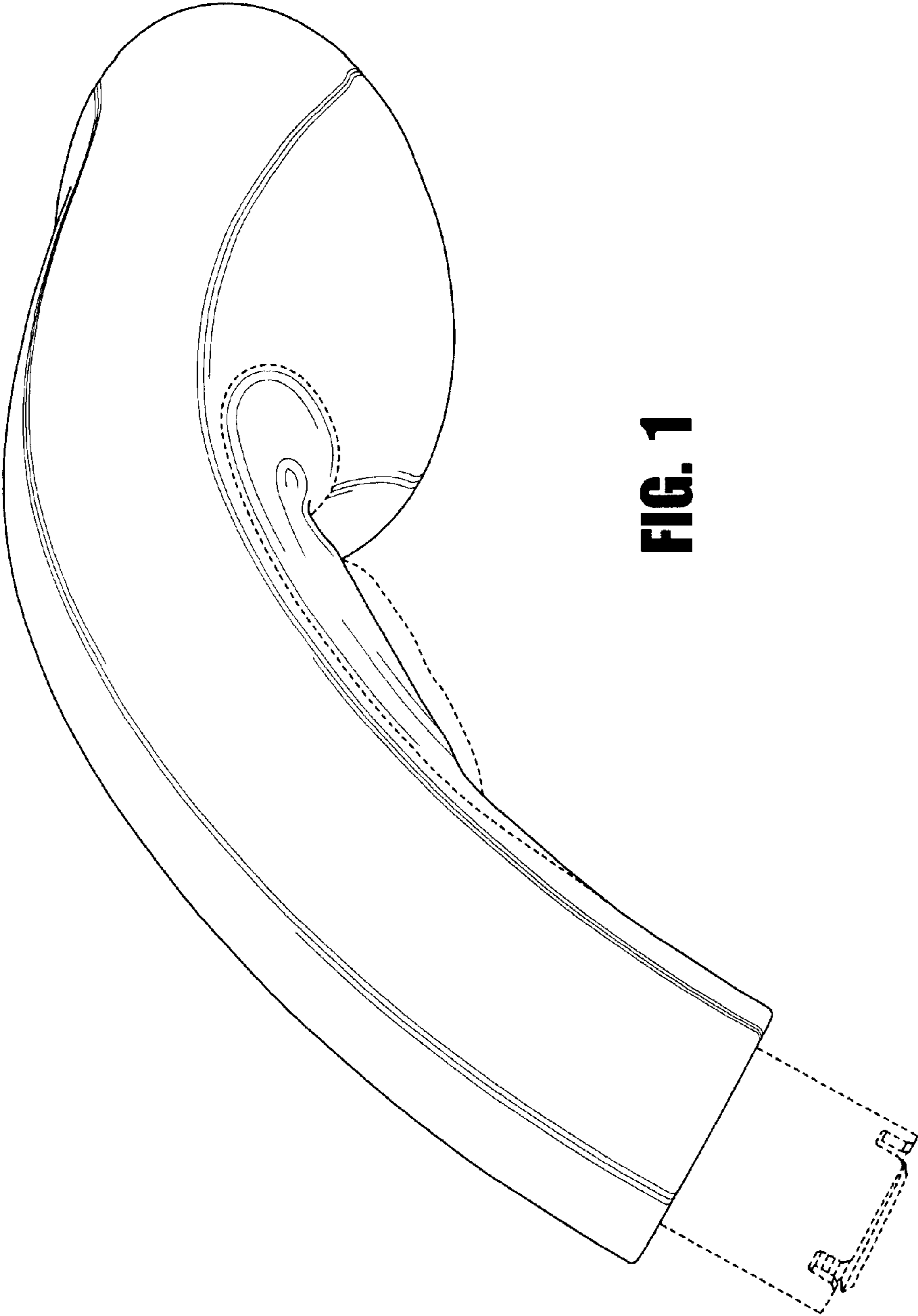


FIG. 1

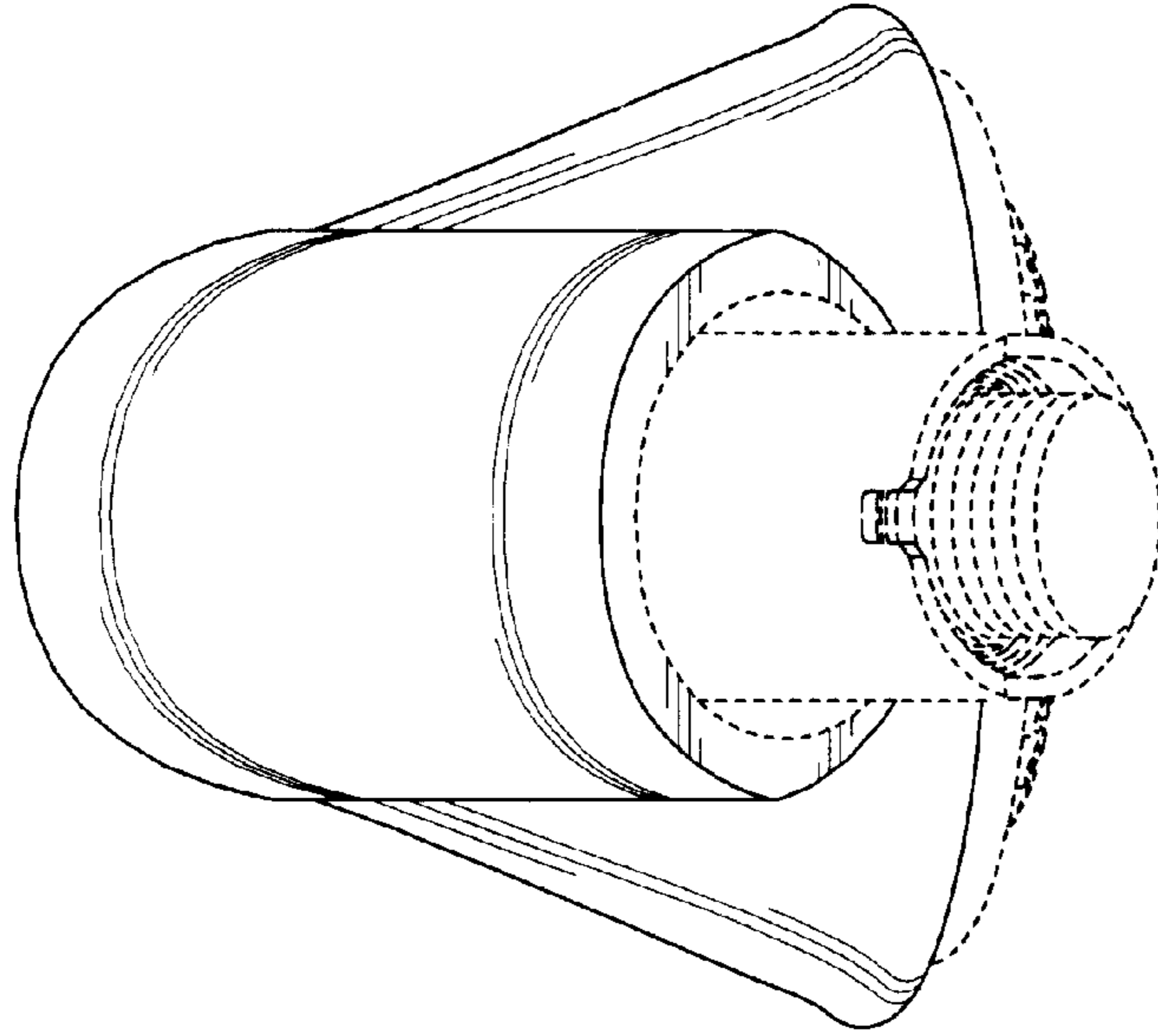


FIG. 3

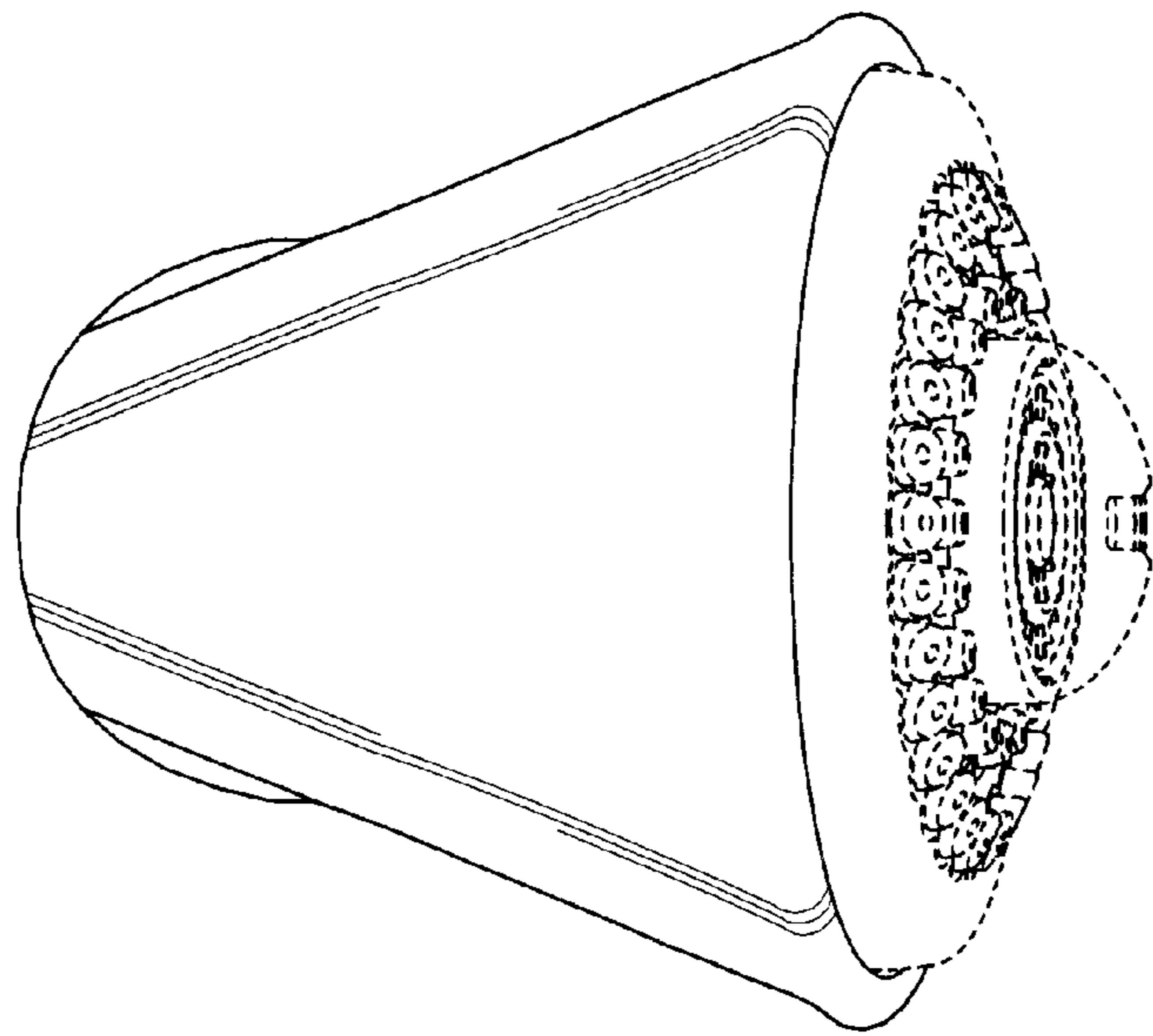
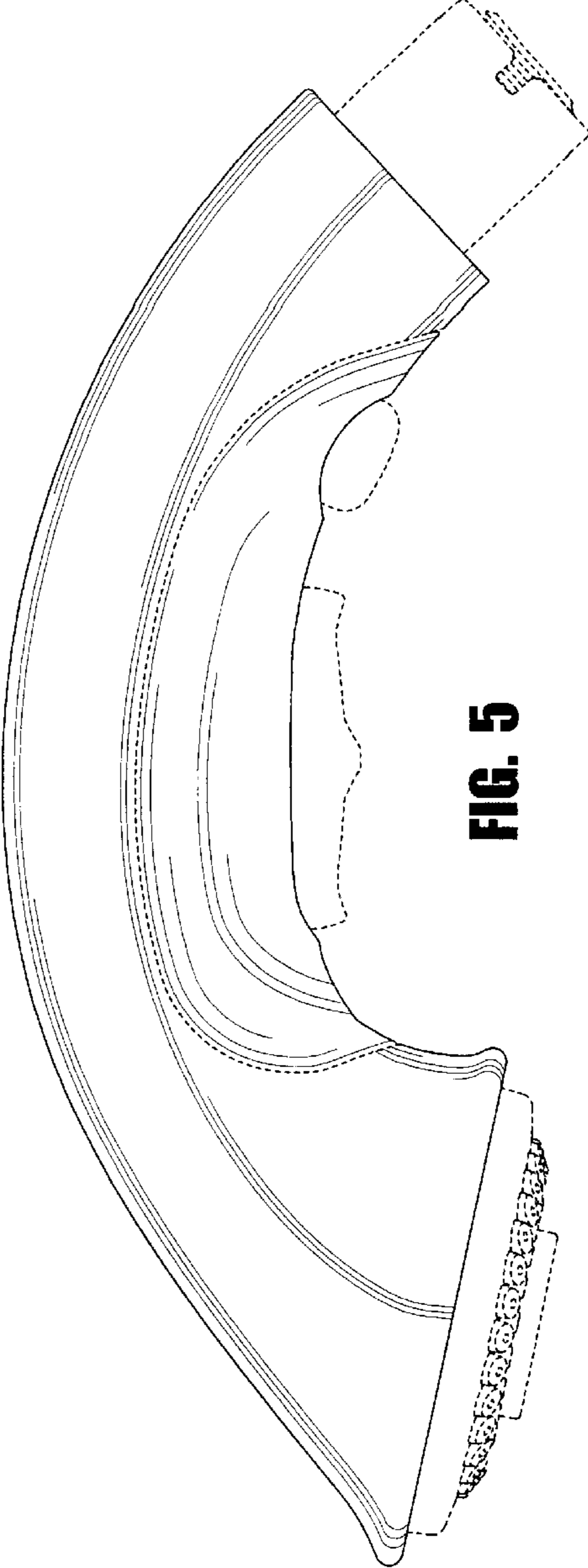
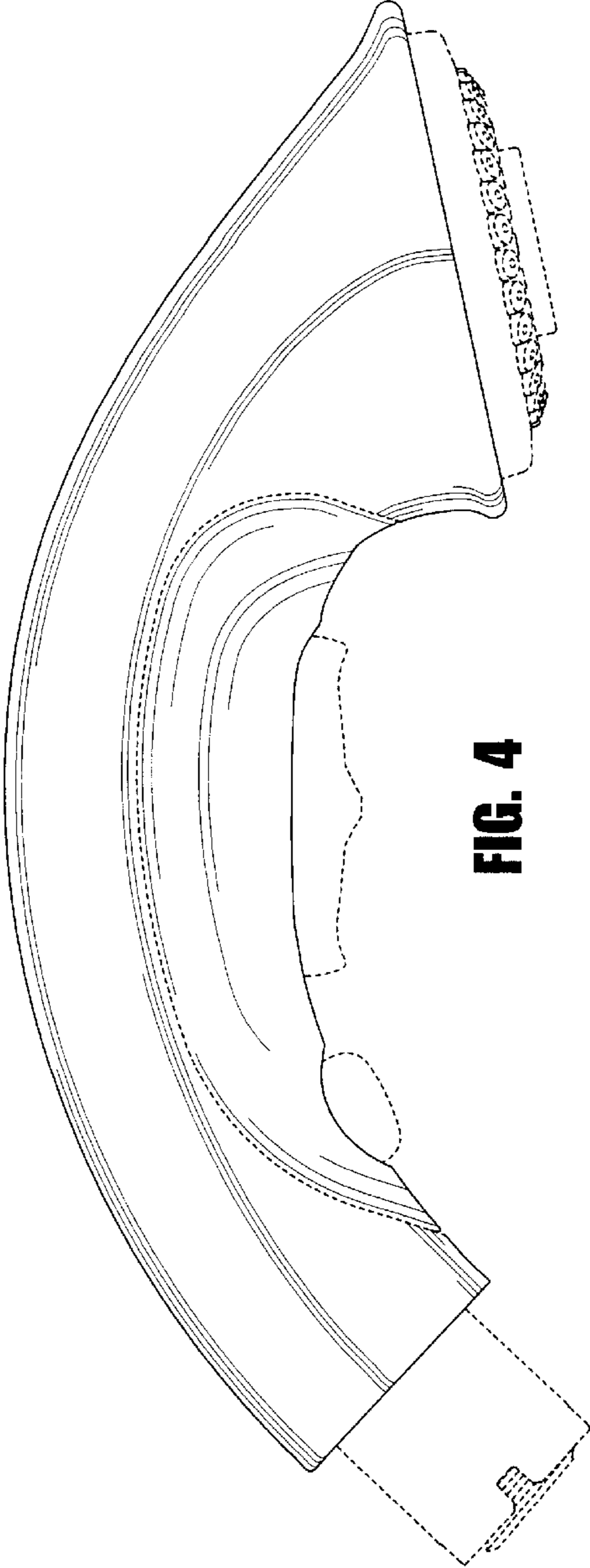


FIG. 2



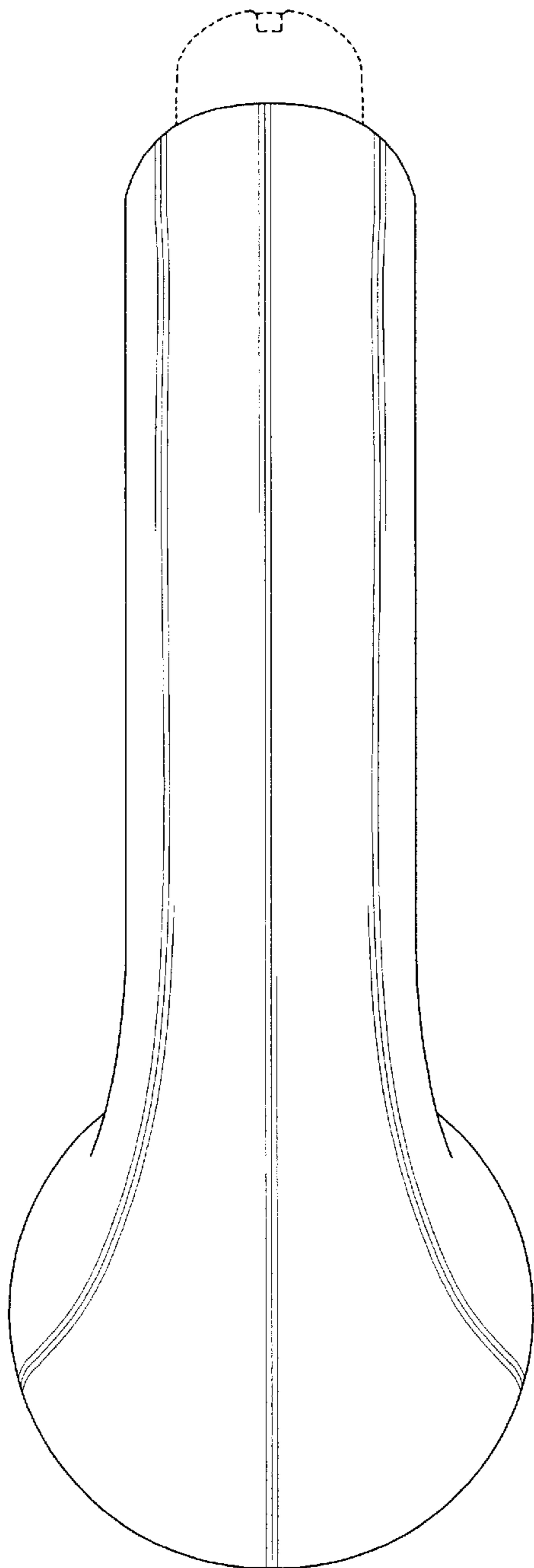


FIG. 6

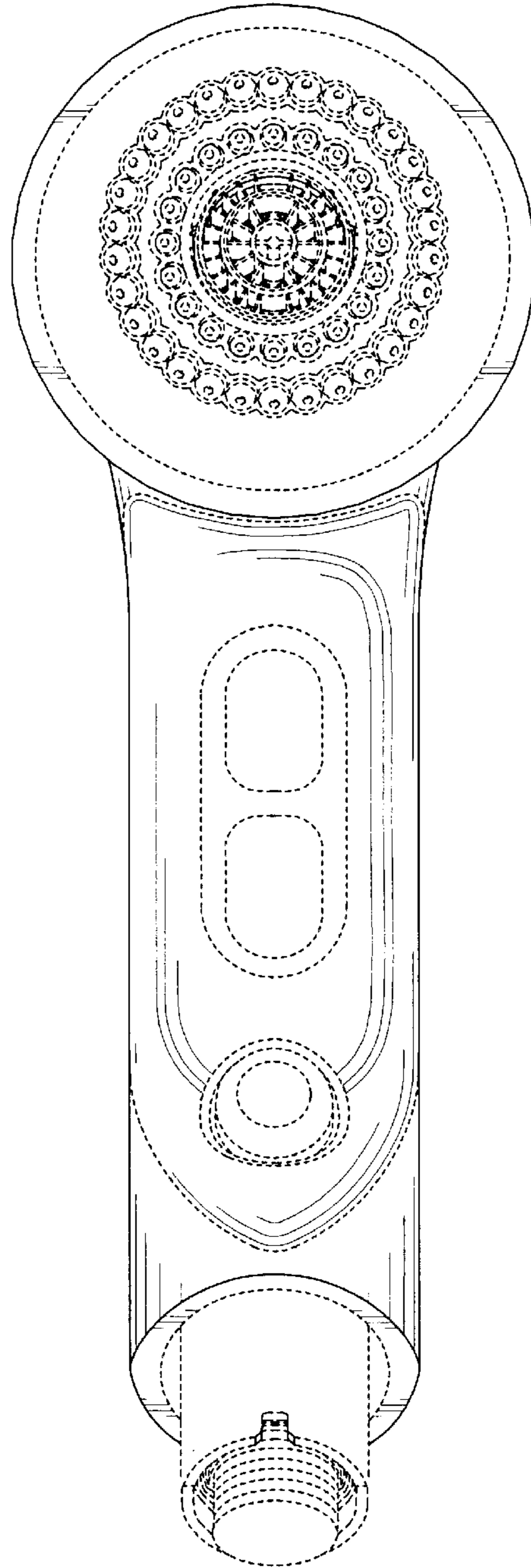


FIG. 7