



US00D534620S

(12) **United States Design Patent**  
**Zhou**

(10) **Patent No.:** **US D534,620 S**

(45) **Date of Patent:** **\*\* Jan. 2, 2007**

(54) **FAUCET**

(76) **Inventor:** **Huasong Zhou**, Rm 704, #135, Hubin S. Road, Xiamen, Fujian (CN)

(\*\*) **Term:** **14 Years**

(21) **Appl. No.:** **29/254,715**

(22) **Filed:** **Feb. 27, 2006**

(51) **LOC (8) Cl.** ..... **23-01**

(52) **U.S. Cl.** ..... **D23/238**

(58) **Field of Classification Search** ..... D23/238-257;  
4/675-678; 137/801

See application file for complete search history.

(56) **References Cited**

**U.S. PATENT DOCUMENTS**

D520,114 S \* 5/2006 Starck ..... D23/238  
D525,344 S \* 7/2006 Schaffeld et al. .... D23/238

**OTHER PUBLICATIONS**

La torre, Rubi, Rubinetteria, p. 20 Tower Tech (Art 12480),  
Mar, 2003.\*

\* cited by examiner

*Primary Examiner*—Louis S. Zarfes  
*Assistant Examiner*—Gregory Andoll  
(74) *Attorney, Agent, or Firm*—Banger Shia

(57) **CLAIM**

The ornamental design for the faucet, as shown and described.

**DESCRIPTION**

FIG. 1 is a perspective view of the faucet showing my present design,

FIG. 2 is a front view thereof,

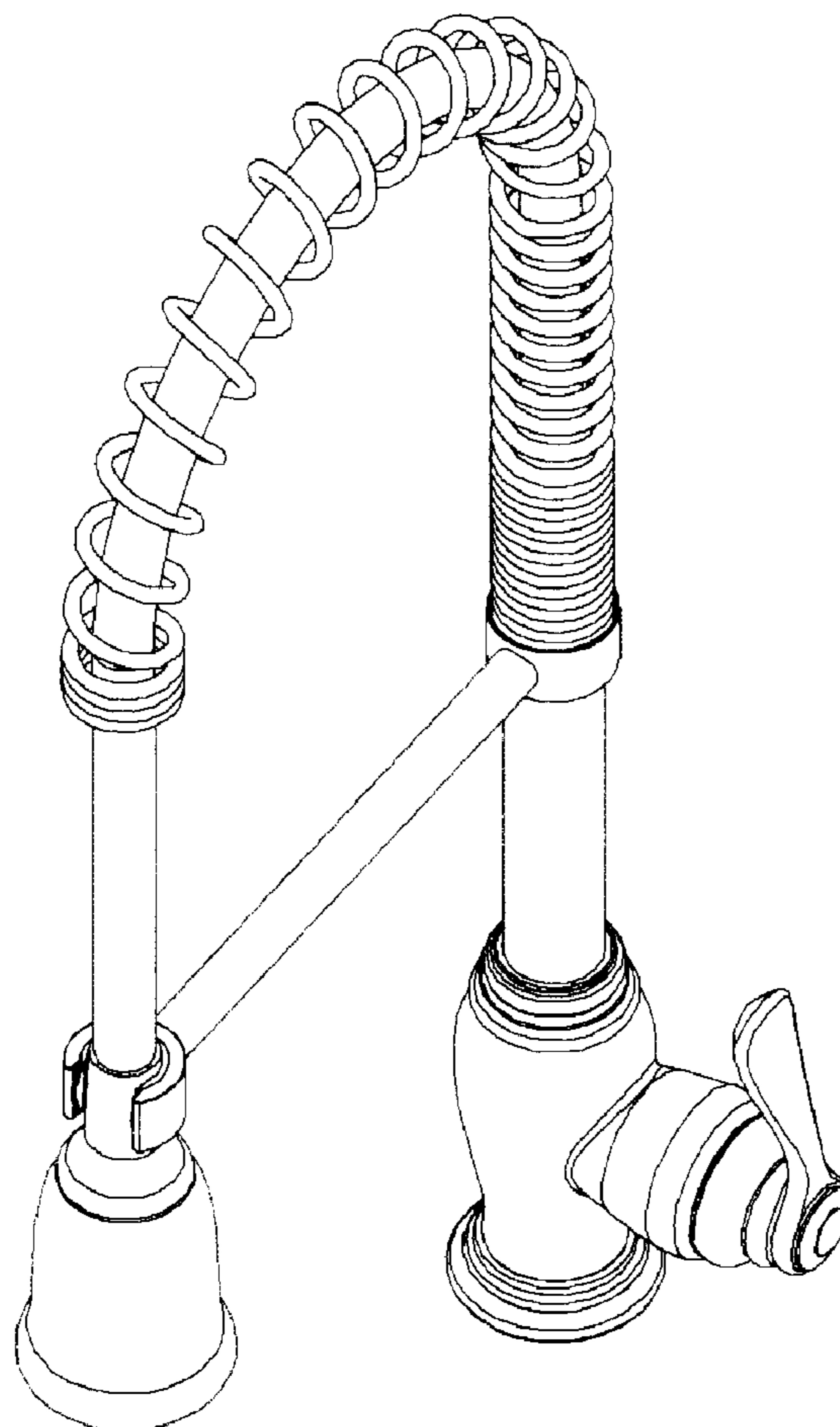
FIG. 3 is a rear view thereof,

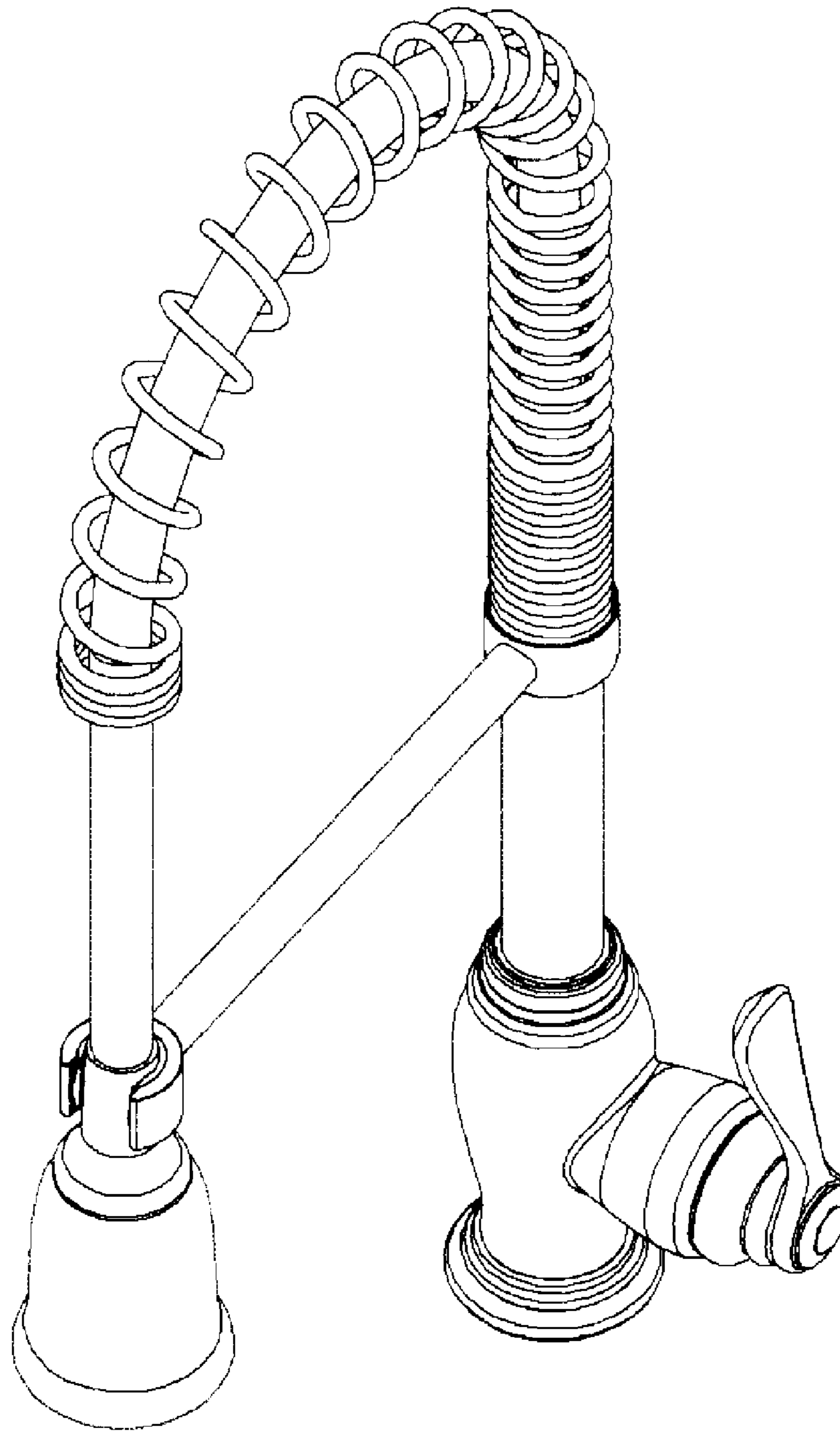
FIG. 4 is a left plan view thereof,

FIG. 5 is a right plan view thereof; and,

FIG. 6 is a top view thereof.

**1 Claim, 4 Drawing Sheets**





**FIG. 1**

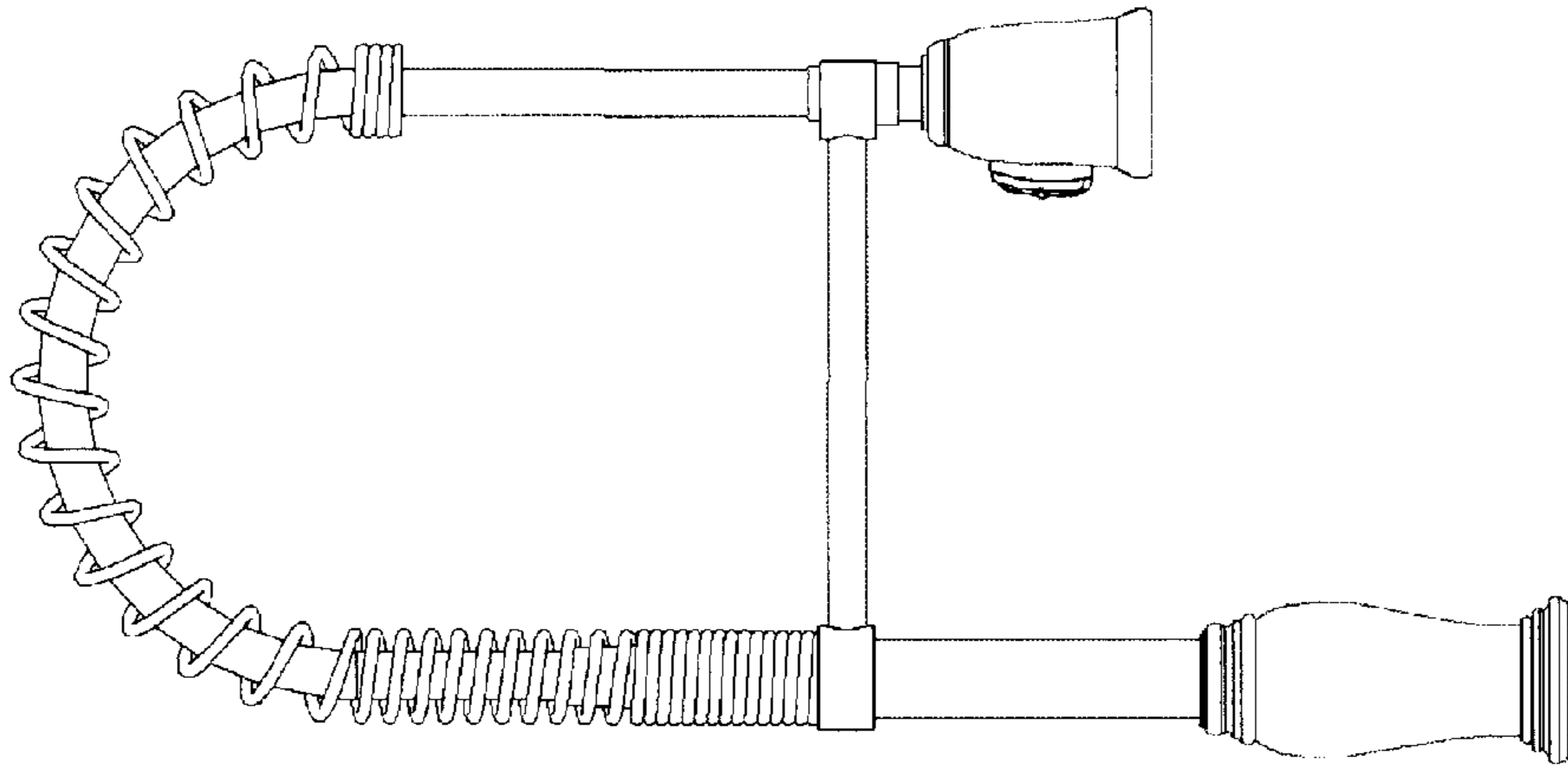


FIG. 3

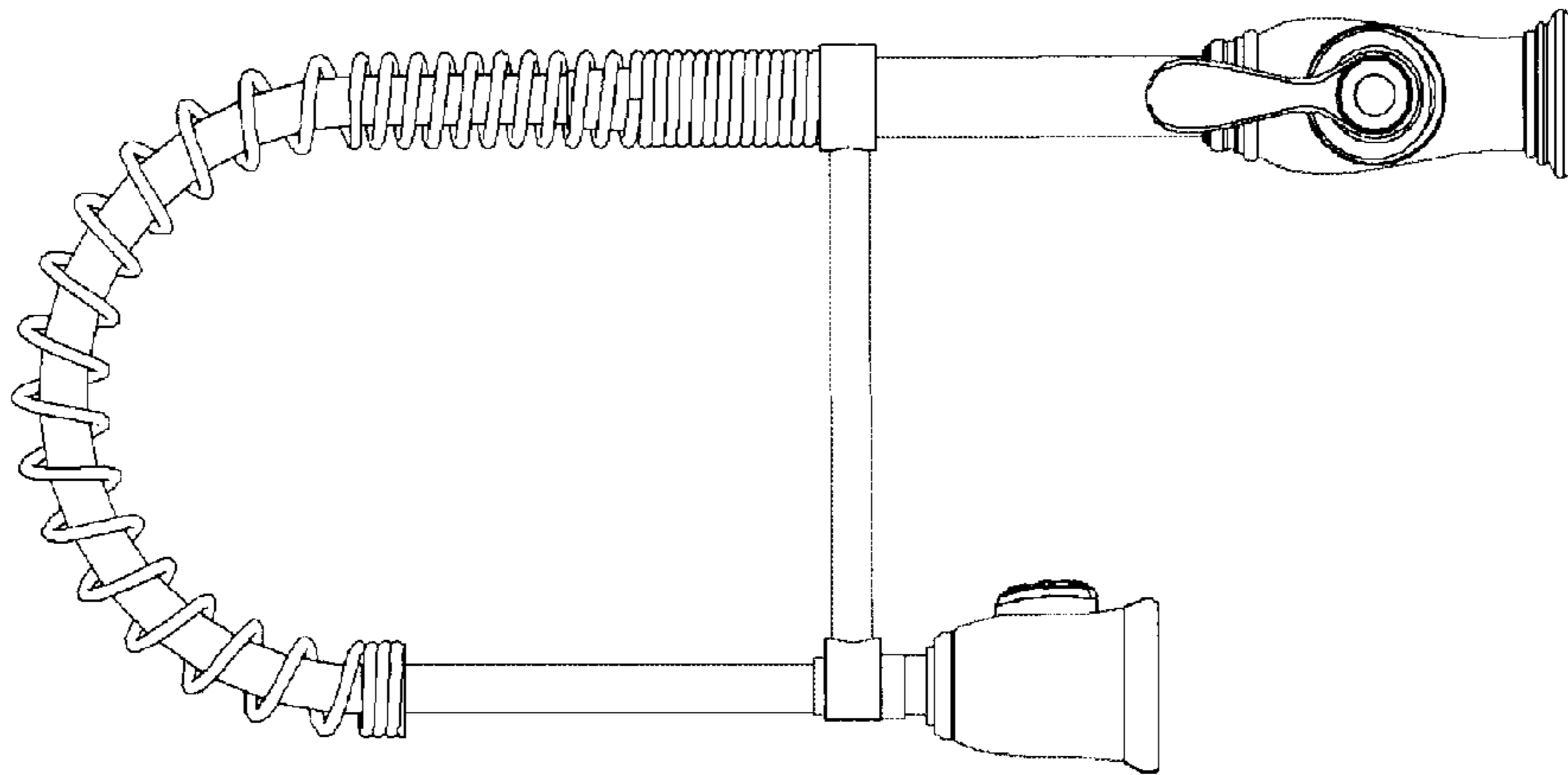


FIG. 2

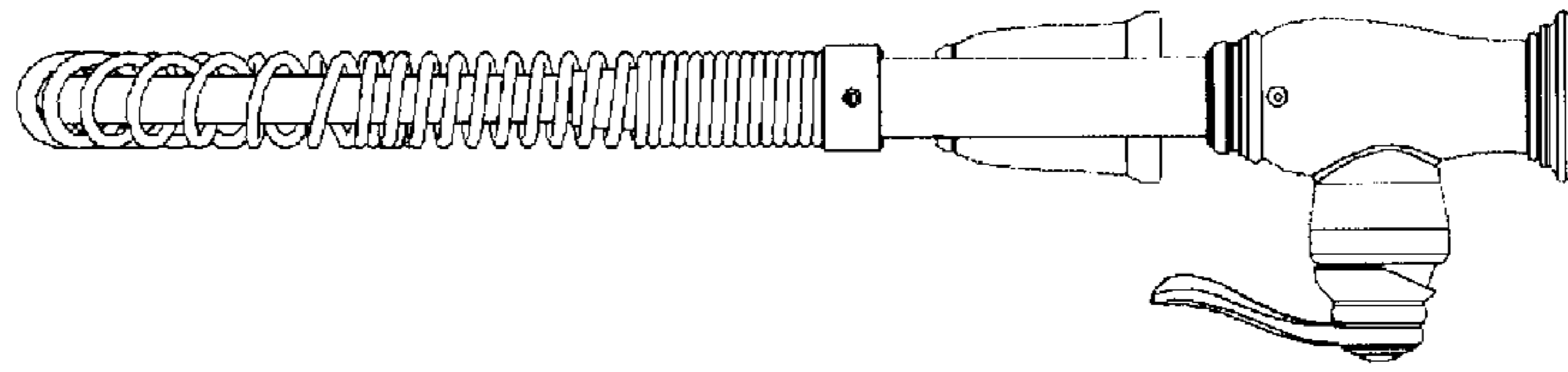


FIG. 5

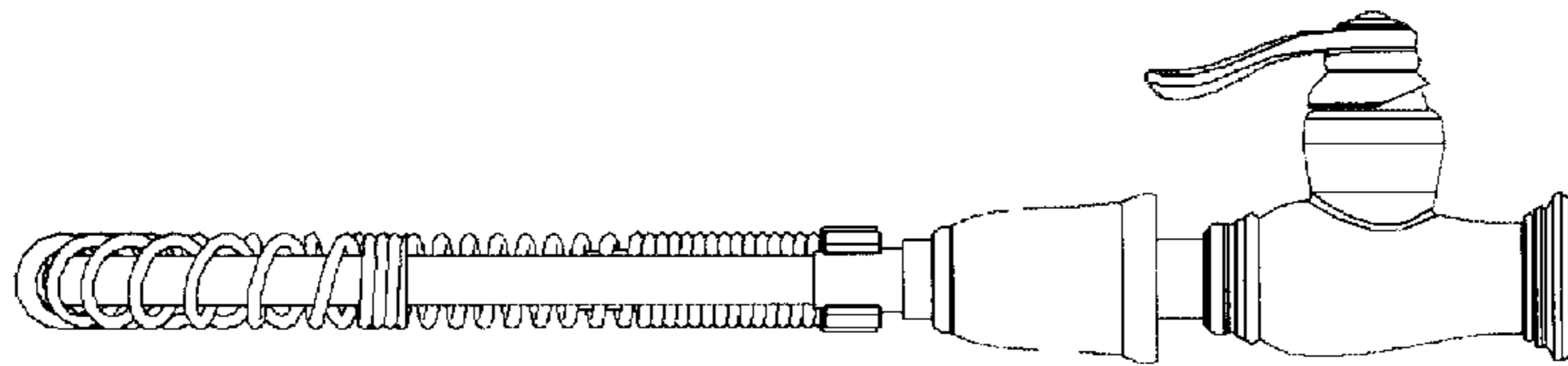
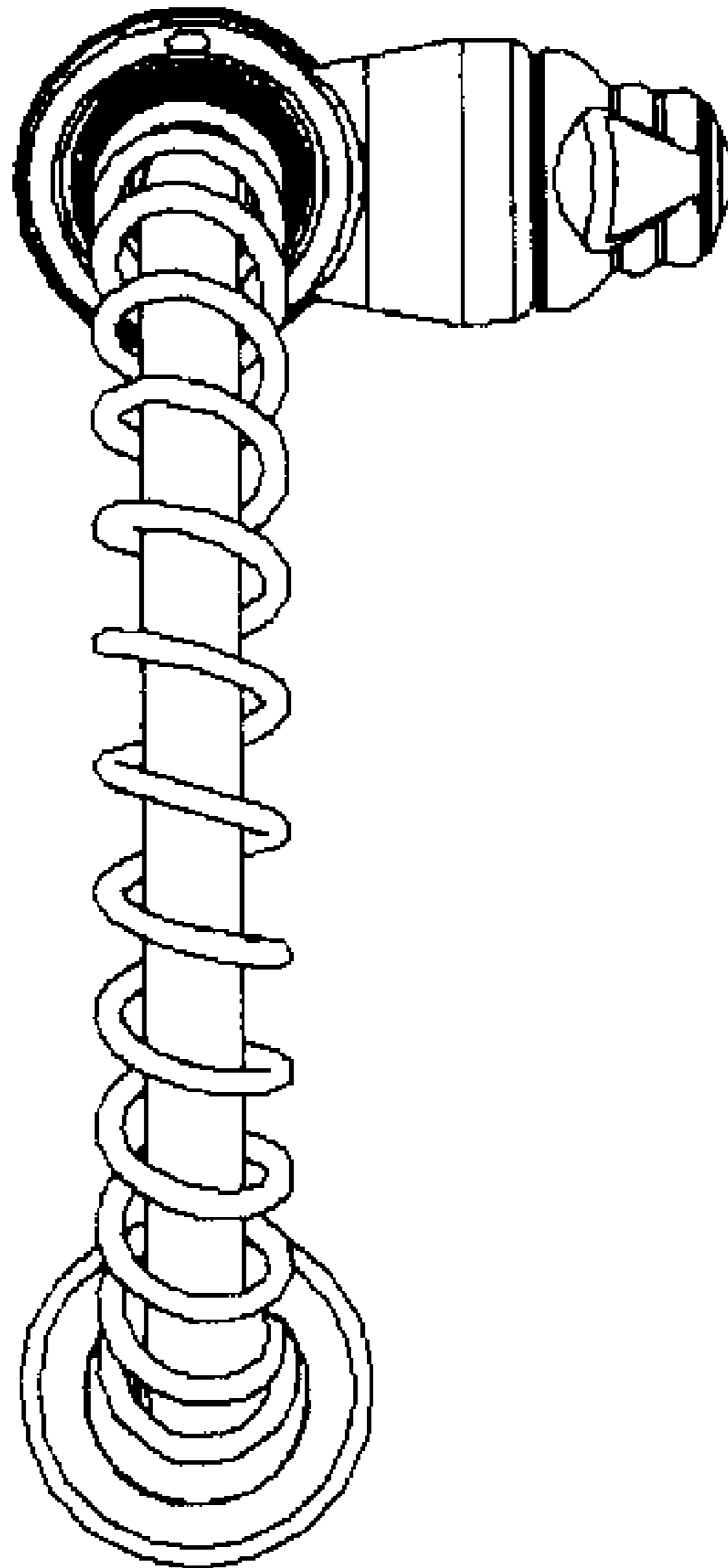


FIG. 4



**FIG. 6**