



US00D534619S

(12) **United States Design Patent**  
**Garner**

(10) **Patent No.:** **US D534,619 S**  
(45) **Date of Patent:** **\*\* Jan. 2, 2007**

(54) **FAUCET**

D478,966 S \* 8/2003 Citterio ..... D23/238  
D489,432 S \* 5/2004 Lammel et al. .... D23/238  
D517,169 S \* 3/2006 Ogata et al. .... D23/138

(75) Inventor: **Pierre Garner**, Paris (FR)

\* cited by examiner

(73) Assignee: **Toto, Ltd.**, Kitakyushu (JP)

*Primary Examiner*—Louis S. Zarfaz

(\*\*) Term: **14 Years**

*Assistant Examiner*—Gregory Andoll

(21) Appl. No.: **29/253,551**

(74) *Attorney, Agent, or Firm*—Birch, Stewart, Kolasch & Birch, LLP

(22) Filed: **Feb. 9, 2006**

(57) **CLAIM**

(30) **Foreign Application Priority Data**

The ornamental design for a faucet, as shown and described.

Aug. 11, 2005 (JP) ..... 2005-023342

**DESCRIPTION**

(51) **LOC (8) Cl.** ..... **23-01**

FIG. 1 is a perspective view of the top, front and right side of a faucet showing my new design;

(52) **U.S. Cl.** ..... **D23/238**

FIG. 2 is a front view thereof;

(58) **Field of Classification Search** ..... D23/238–257;  
4/675–678; 137/801

FIG. 3 is a rear view thereof;

See application file for complete search history.

FIG. 4 is a right side view thereof;

FIG. 5 is a left side view thereof;

(56) **References Cited**

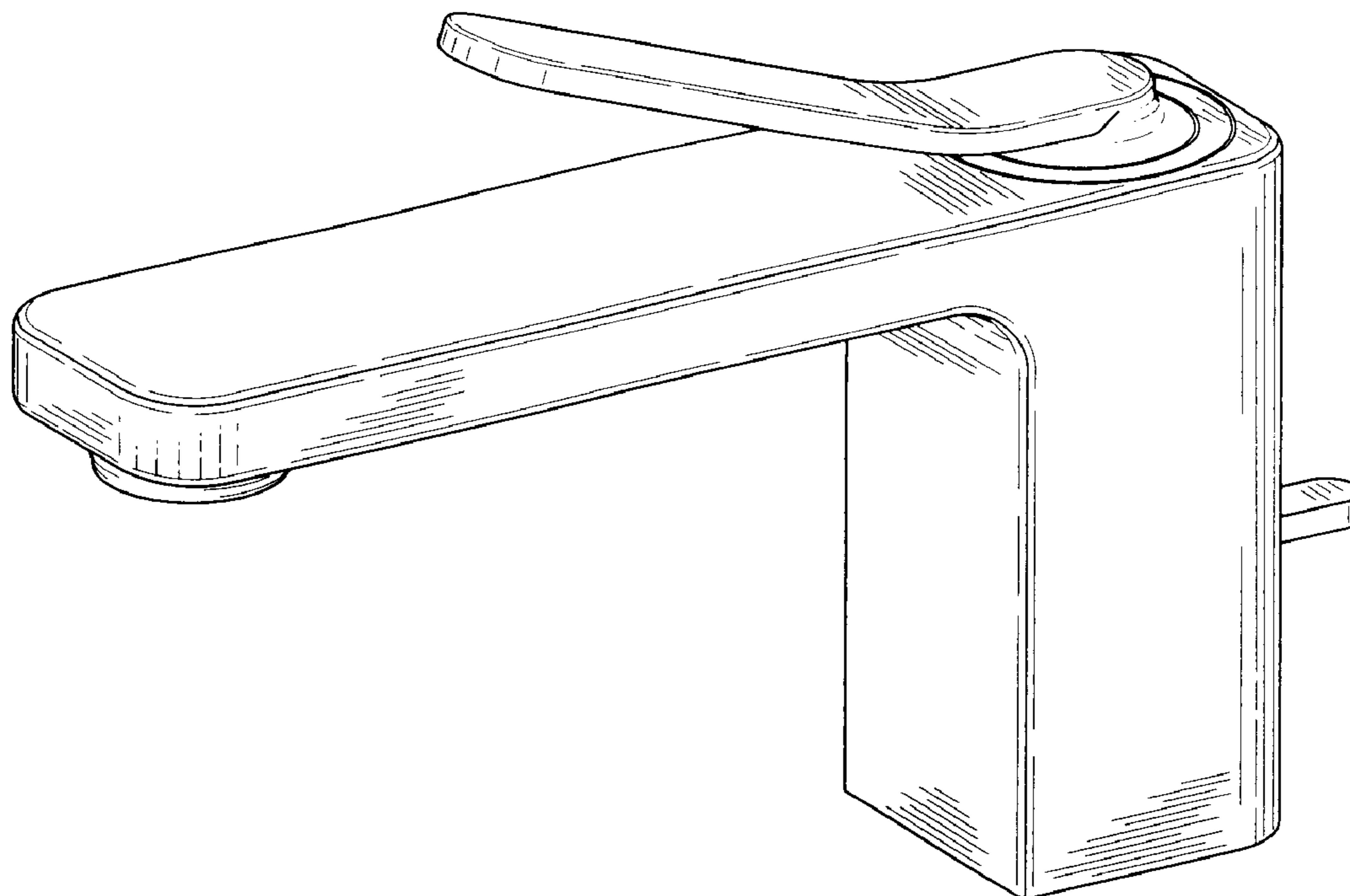
FIG. 6 is a top plan view thereof; and,

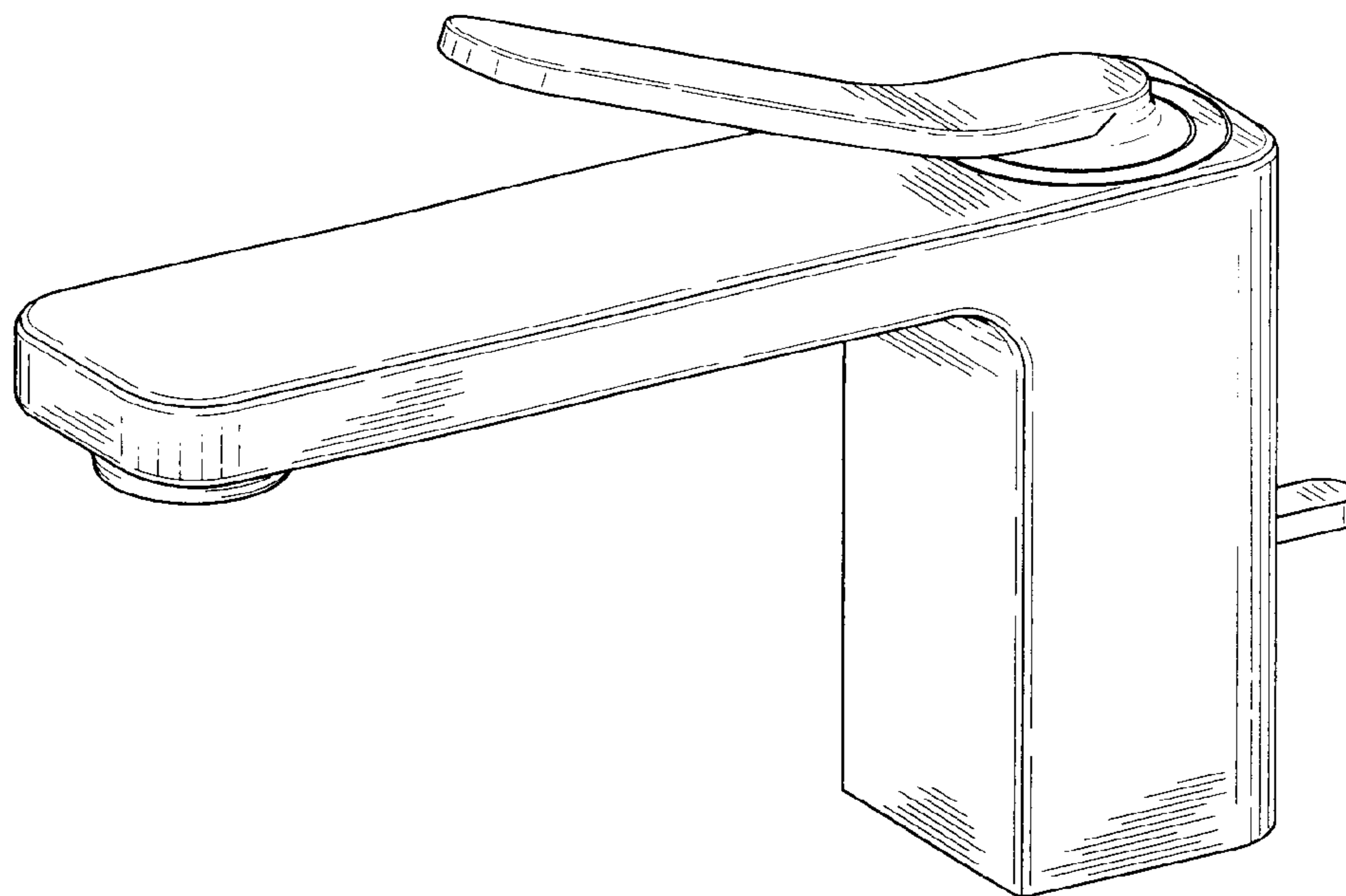
FIG. 7 is a bottom view thereof.

**U.S. PATENT DOCUMENTS**

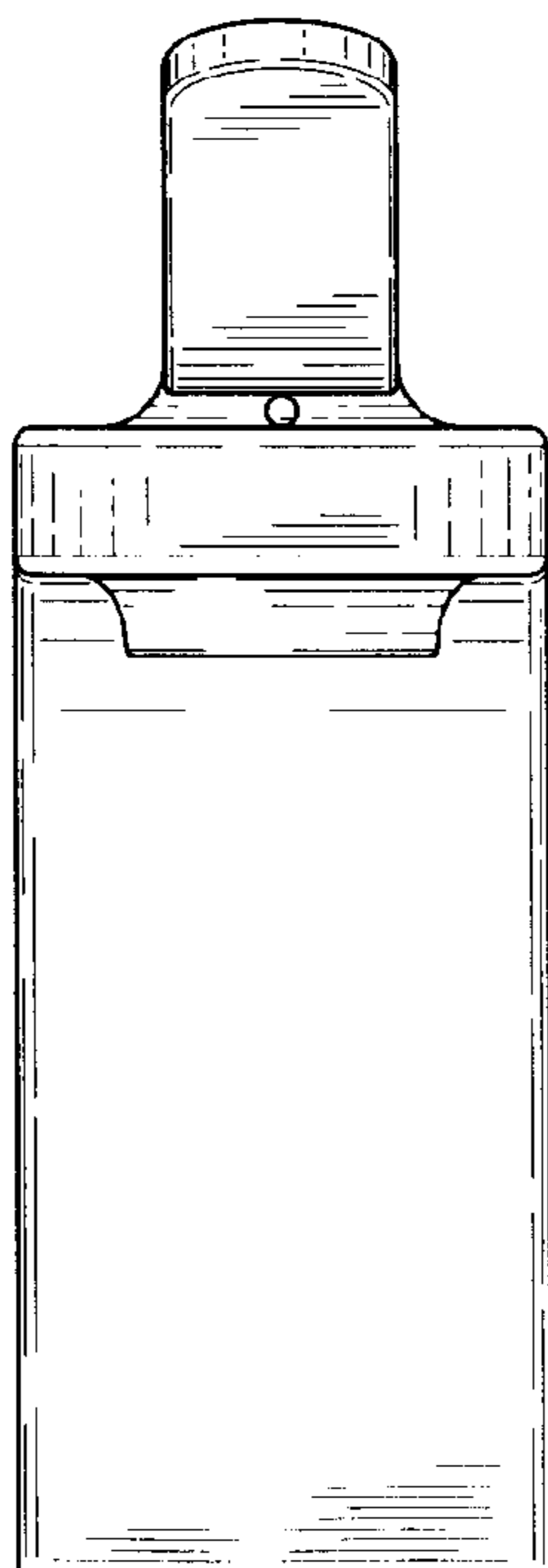
D271,704 S \* 12/1983 Paul ..... D23/238

**1 Claim, 3 Drawing Sheets**

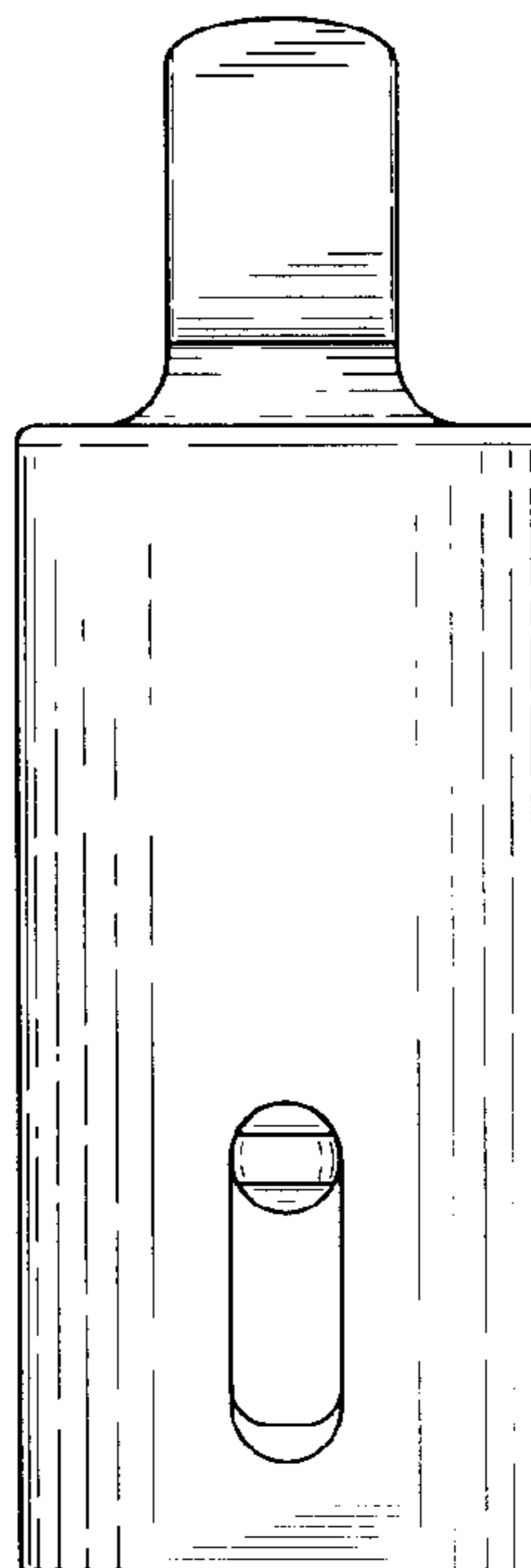




*FIG. 1*



*FIG. 2*



*FIG. 3*

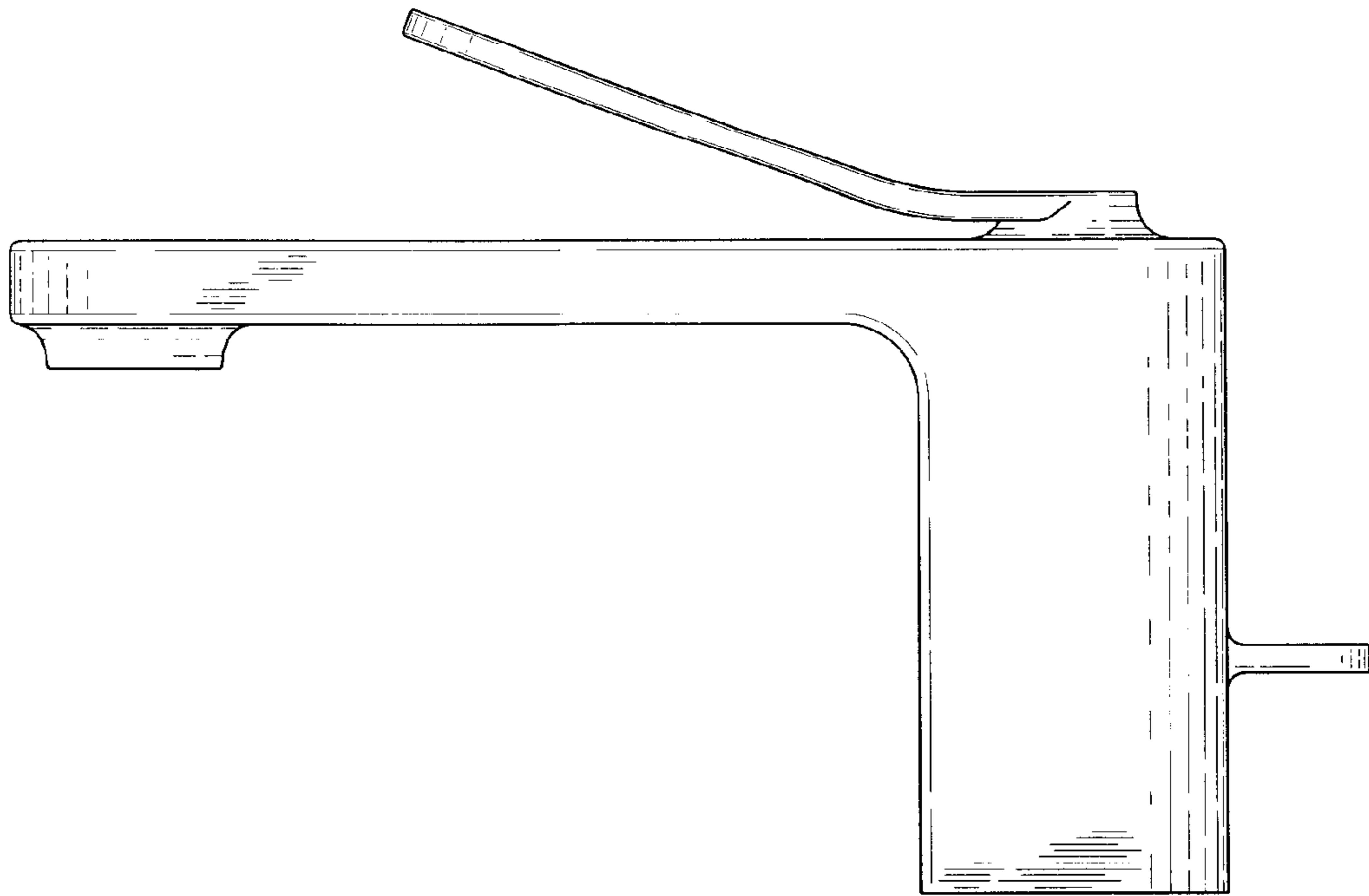


FIG. 4

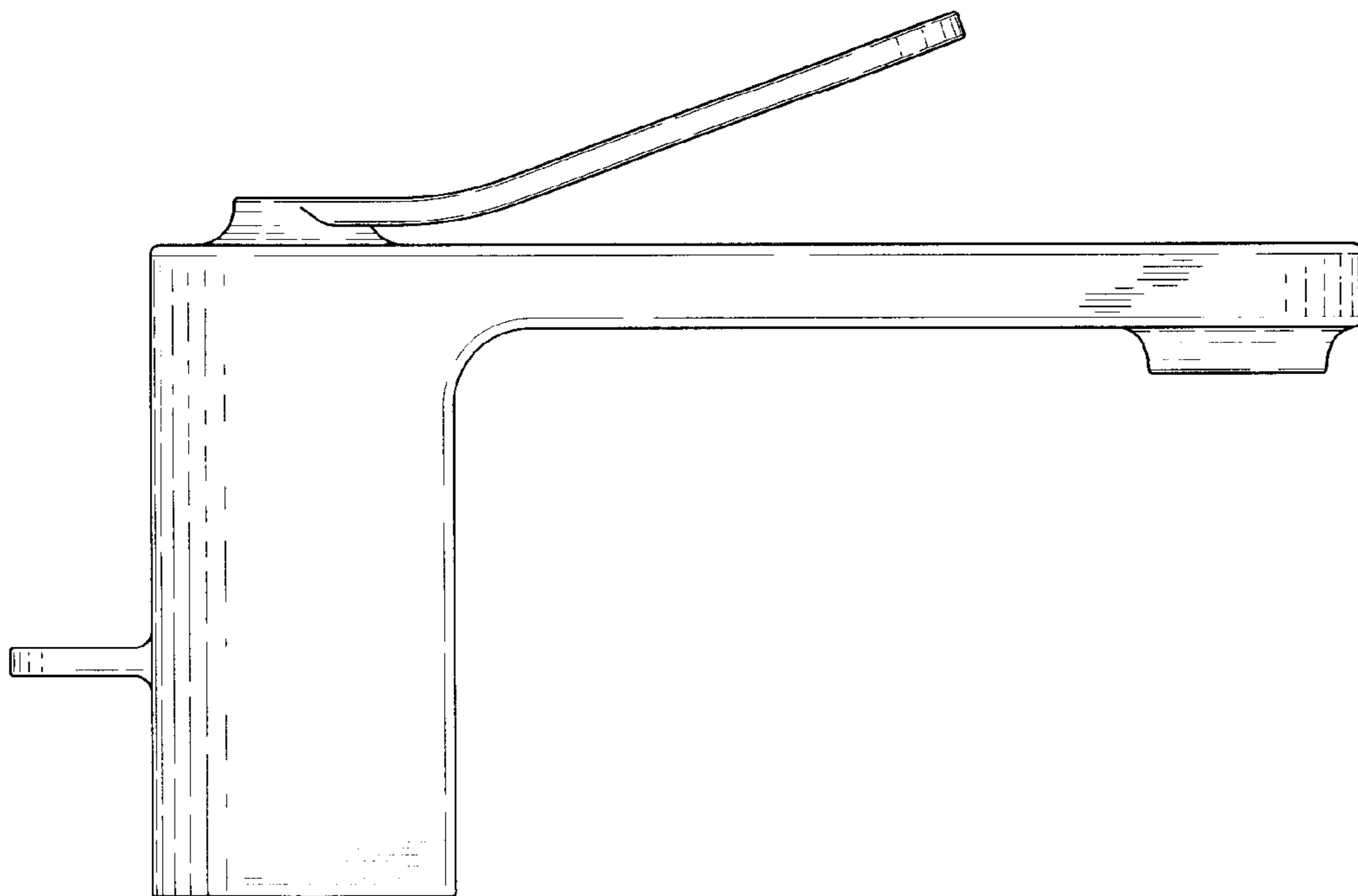
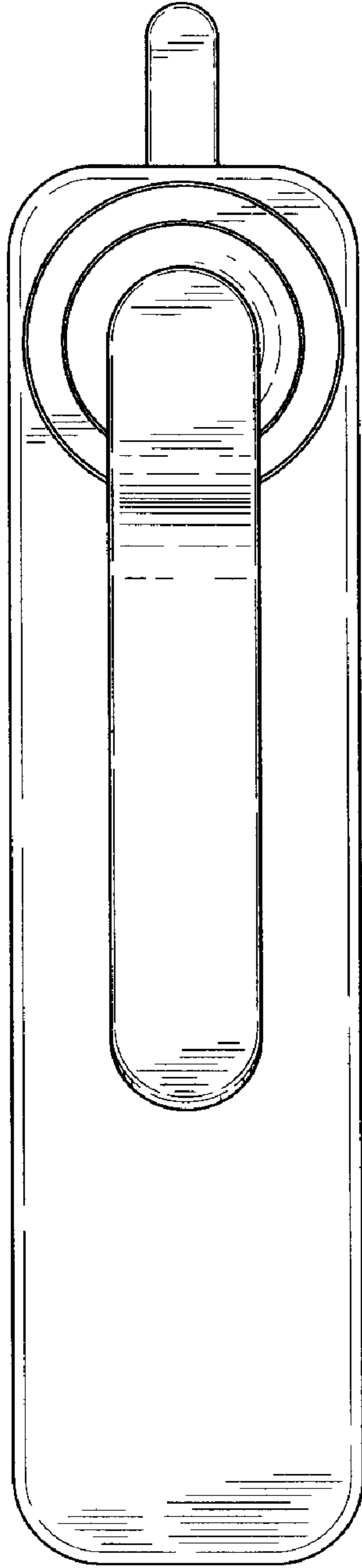
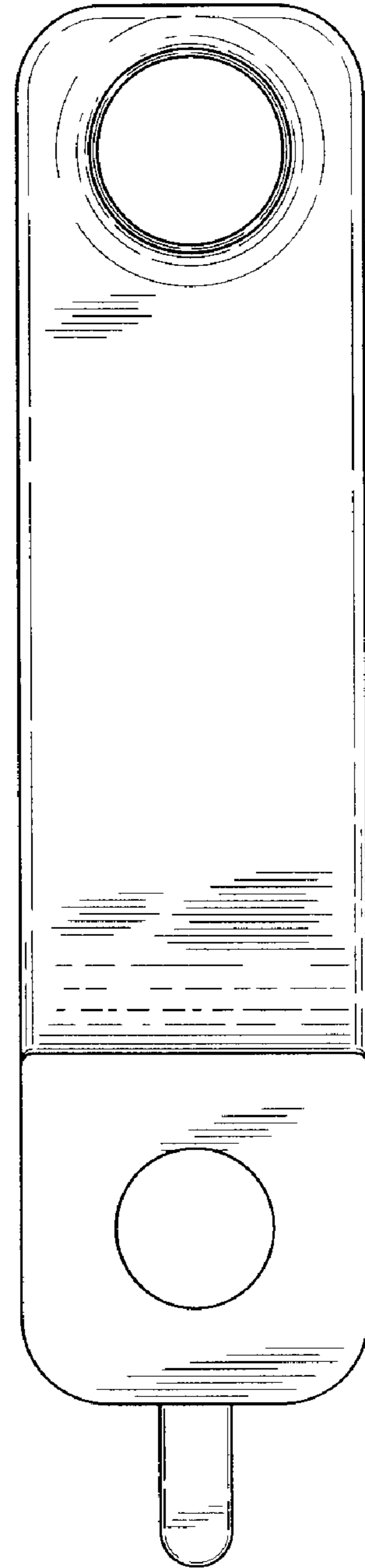


FIG. 5



**FIG. 6**



**FIG. 7**