



US00D534611S

(12) **United States Design Patent**  
**Gallenson et al.**

(10) **Patent No.:** **US D534,611 S**

(45) **Date of Patent:** **\*\* Jan. 2, 2007**

(54) **TOWABLE DIVING PLANE**

(75) Inventors: **Marvin J. Gallenson**, Salt Lake City, UT (US); **Allen T. Weideman**, Foresthill, CA (US); **Edward E. Mayer**, Los Angeles, CA (US)

(73) Assignee: **Veldora, LLP**, Salt Lake City, UT (US)

(\*\*) Term: **14 Years**

(21) Appl. No.: **29/214,995**

(22) Filed: **Oct. 11, 2004**

(51) **LOC (8) Cl.** ..... **12-26**

(52) **U.S. Cl.** ..... **D21/810**

(58) **Field of Classification Search** ..... D21/769, D21/770, 801, 803, 804, 806, 807, 810; 114/363; D2/731, 732; 441/55, 56, 58, 60, 61-66, 441/68, 69, 72-75, 79

See application file for complete search history.

(56) **References Cited**

**U.S. PATENT DOCUMENTS**

|               |         |                    |        |
|---------------|---------|--------------------|--------|
| D272,259 S    | 1/1984  | Meister            |        |
| D273,127 S    | 3/1984  | Meister            |        |
| 4,624,207 A   | 11/1986 | King               |        |
| 5,007,871 A   | 4/1991  | Dyer               |        |
| 5,178,090 A   | 1/1993  | Carter             |        |
| 5,482,485 A * | 1/1996  | Ball               | 441/65 |
| 5,499,592 A   | 3/1996  | Monfort            |        |
| 5,655,939 A   | 8/1997  | Garrido Salvadores |        |

|              |         |                  |         |
|--------------|---------|------------------|---------|
| 5,988,096 A  | 11/1999 | Benesch et al.   |         |
| 6,145,462 A  | 11/2000 | Aquino           |         |
| D503,766 S * | 4/2005  | Gallenson et al. | D21/810 |
| D503,957 S * | 4/2005  | Gallenson et al. | D21/810 |
| D508,105 S * | 8/2005  | Gallenson et al. | D21/810 |

\* cited by examiner

*Primary Examiner*—Janice Seeger

*Assistant Examiner*—Zenia I. Bennett

(74) *Attorney, Agent, or Firm*—Morriss O'Bryant Compagni

(57) **CLAIM**

The ornamental design for a towable diving plane, as shown.

**DESCRIPTION**

FIG. 1 is a perspective view of a towable diving plane showing my new design.

FIG. 2 is a top plan view of the towable diving plane shown in FIG. 1;

FIG. 3 is a bottom plan view of the towable diving plane shown in FIG. 1;

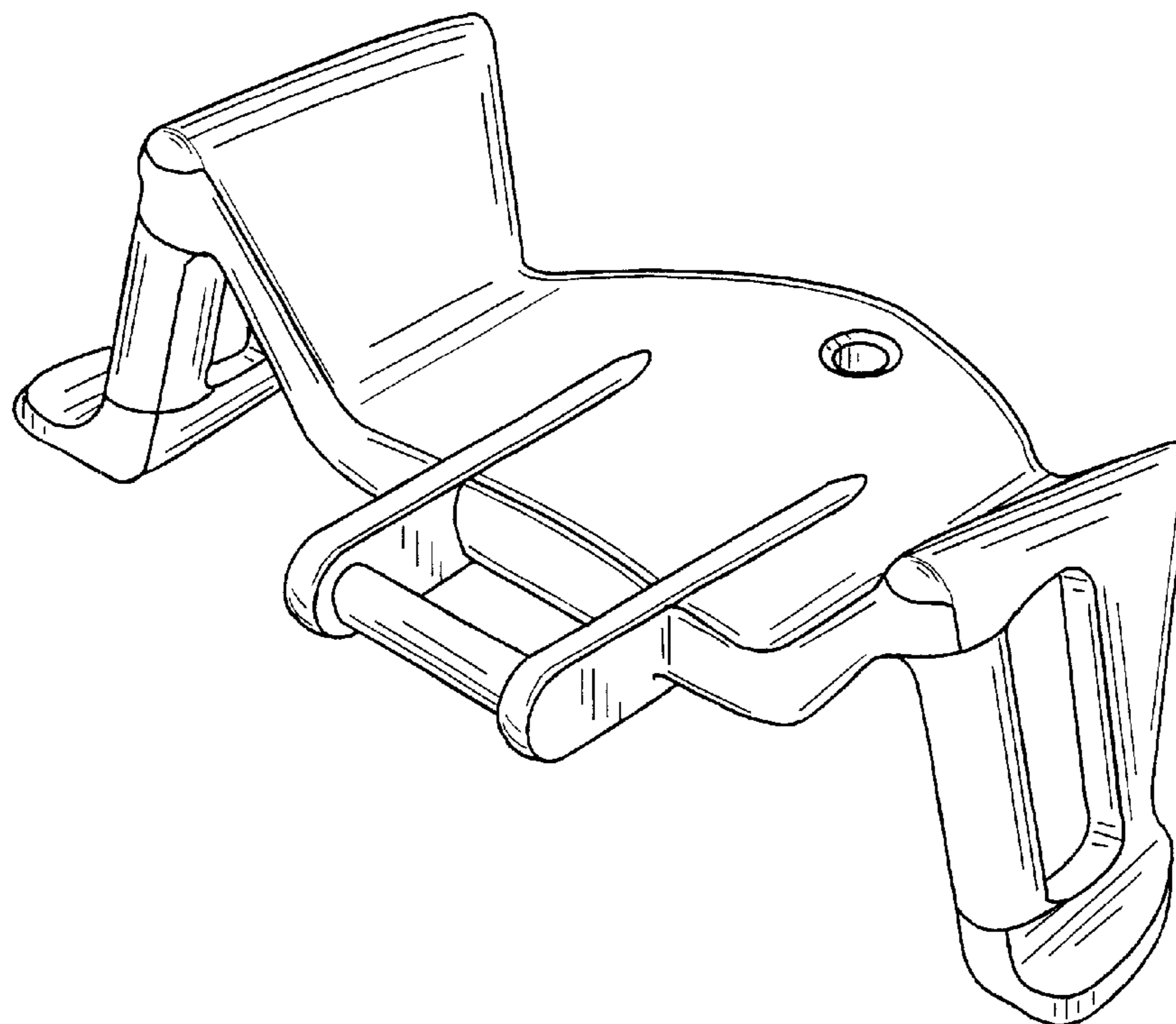
FIG. 4 is a front elevational view of the towable diving plane shown in FIG. 1;

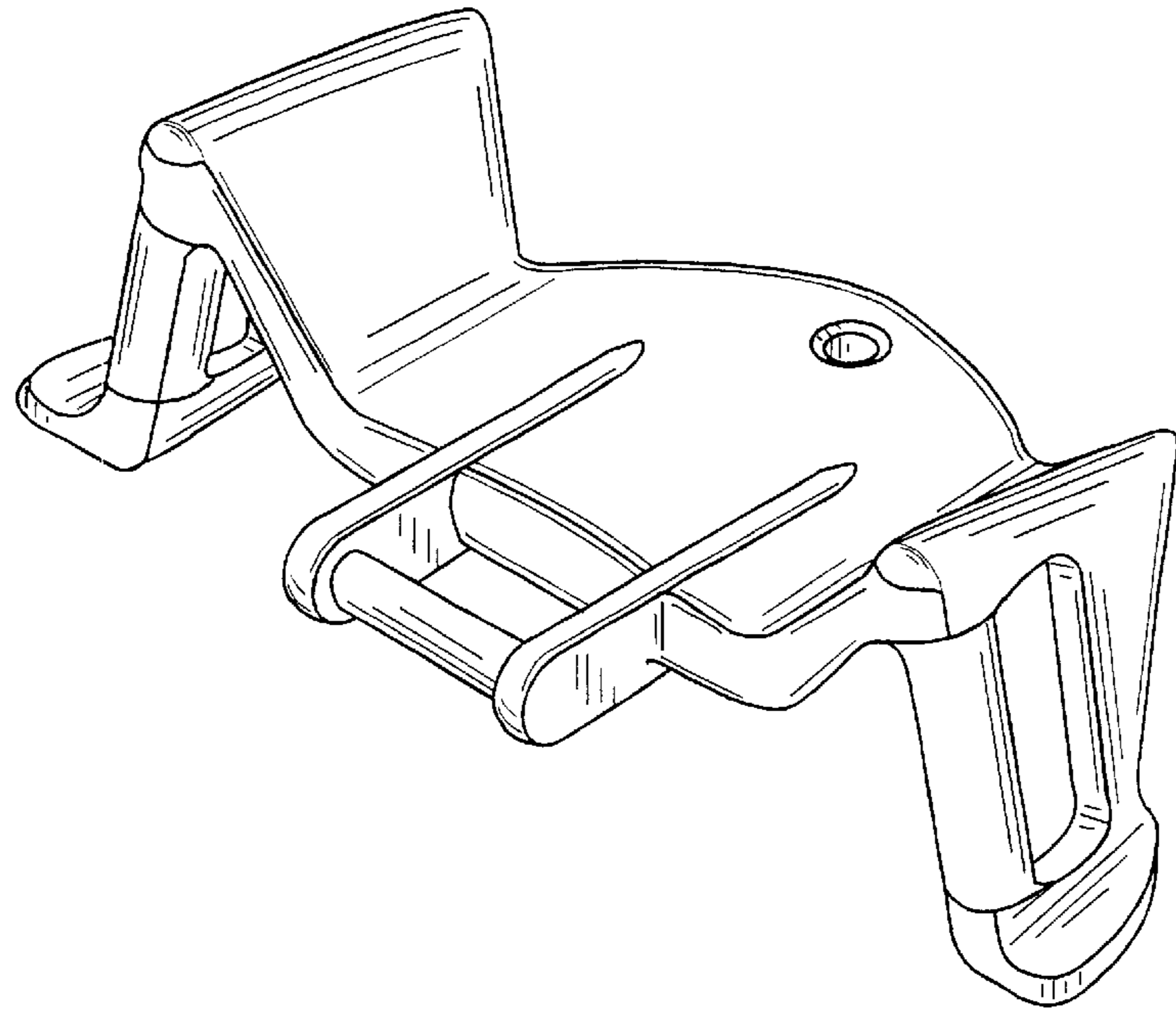
FIG. 5 is a rear elevational view of the towable diving plane shown in FIG. 1;

FIG. 6 is a left side elevational view of the towable diving plane shown in FIG. 1;

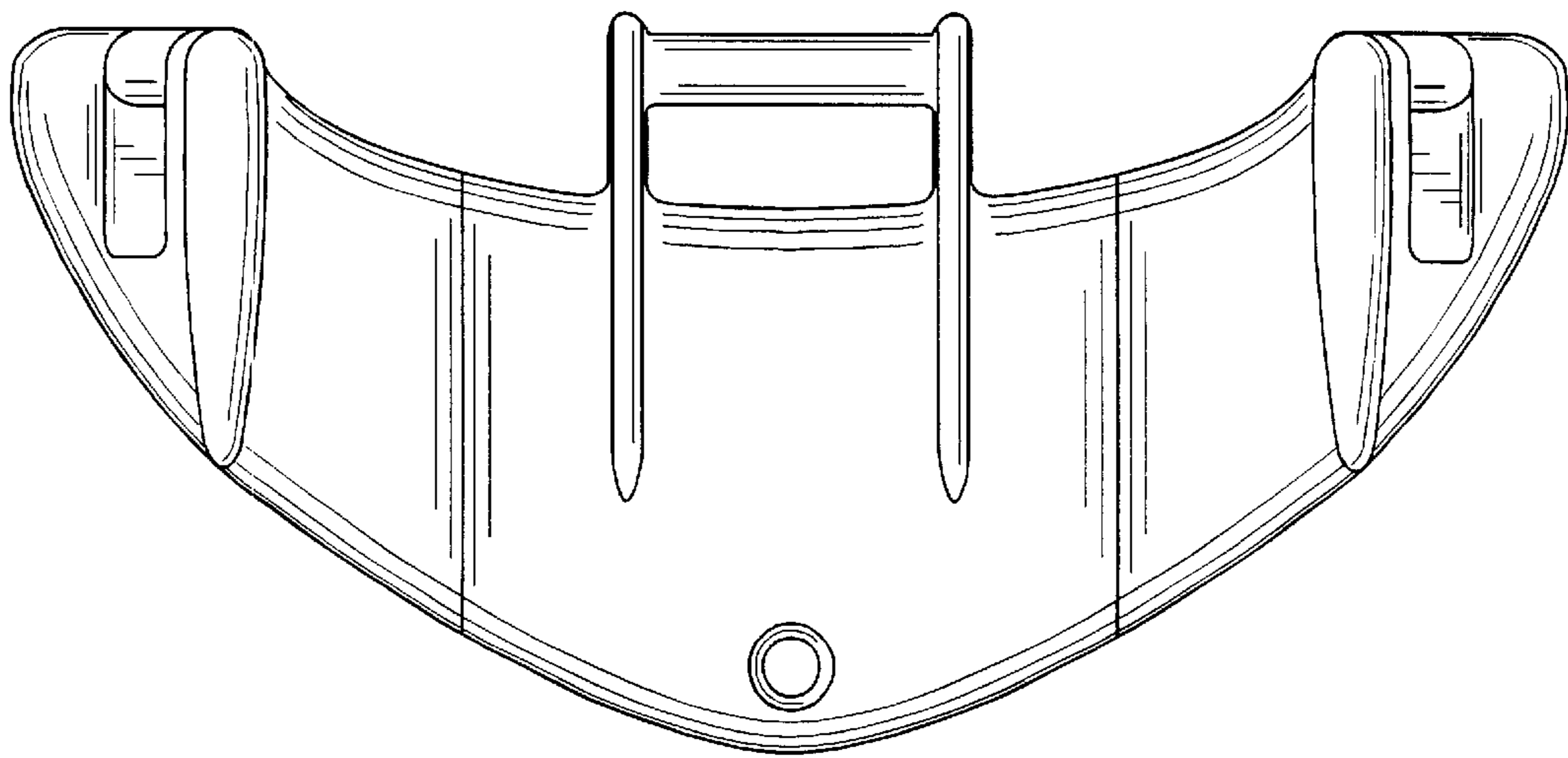
FIG. 7 is a right side elevational view of the towable diving plane shown in FIG. 1.

**1 Claim, 3 Drawing Sheets**

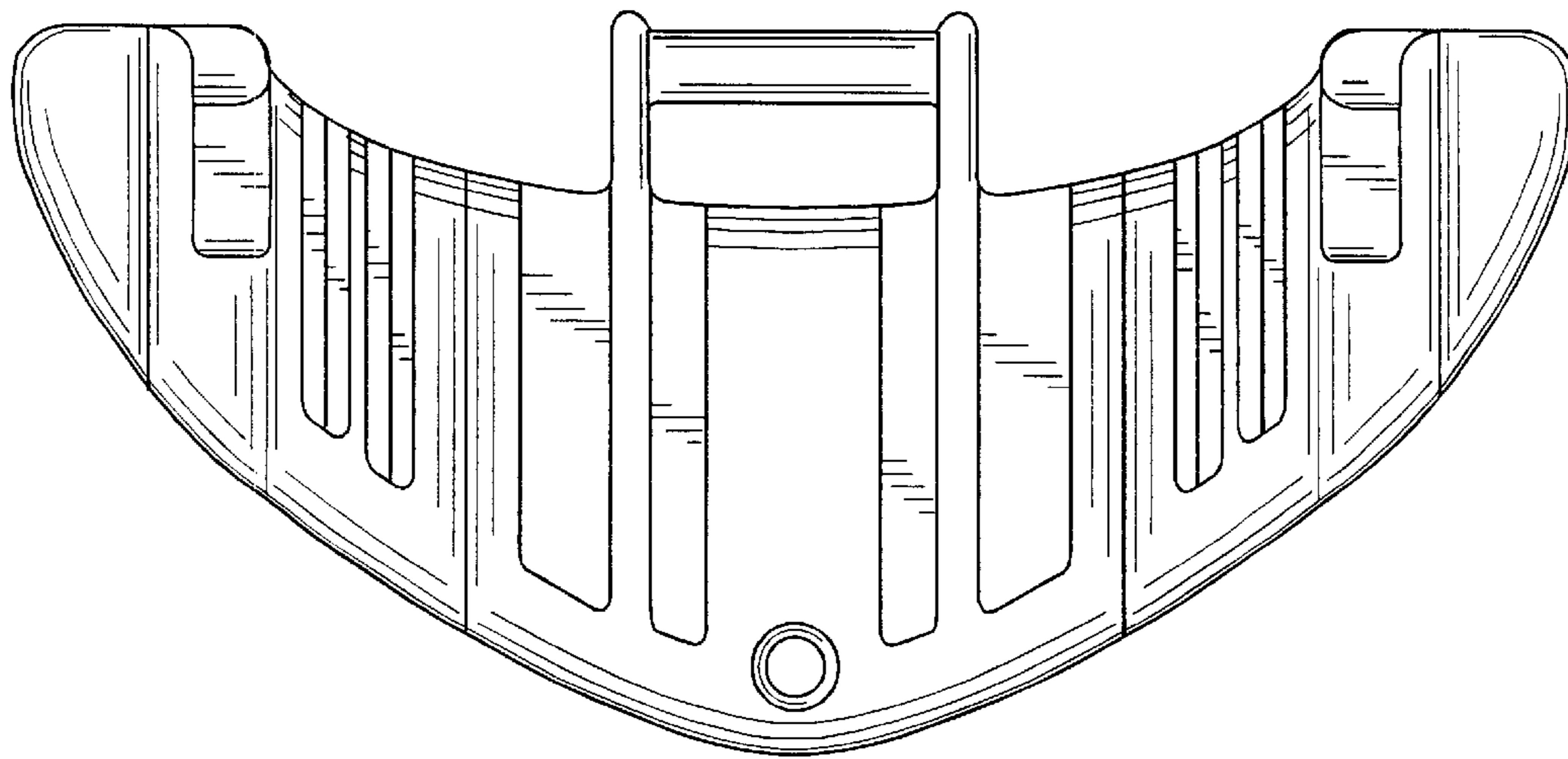




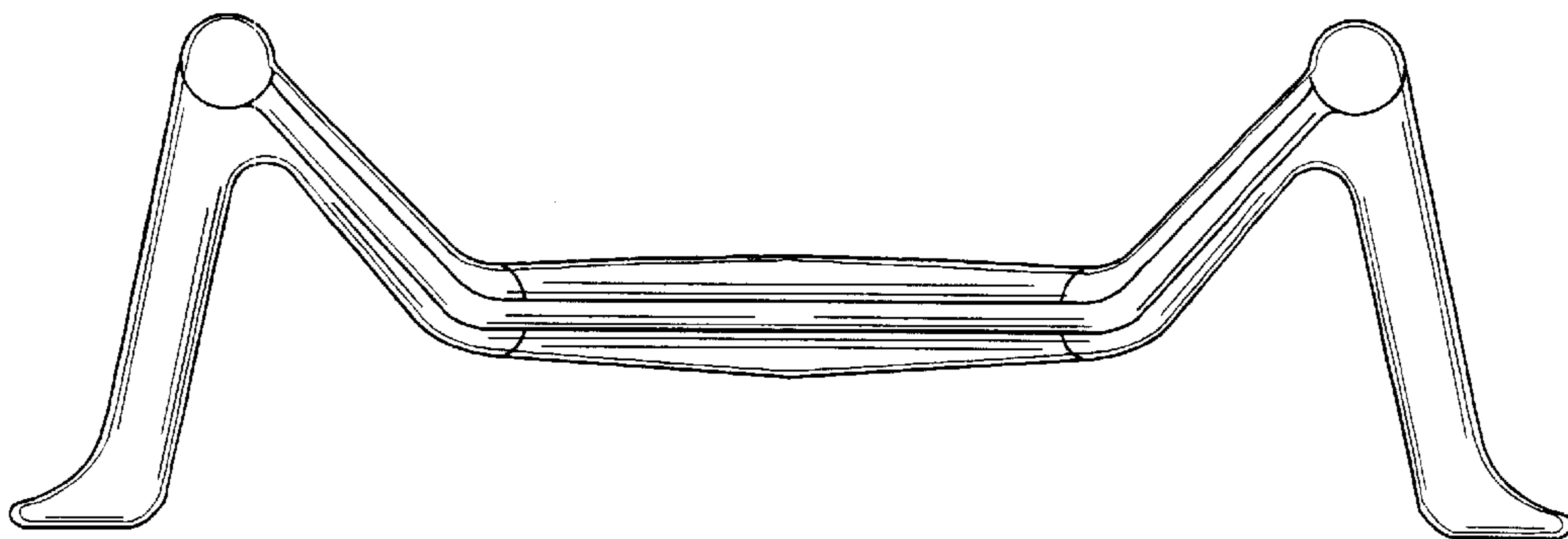
**FIG. 1**



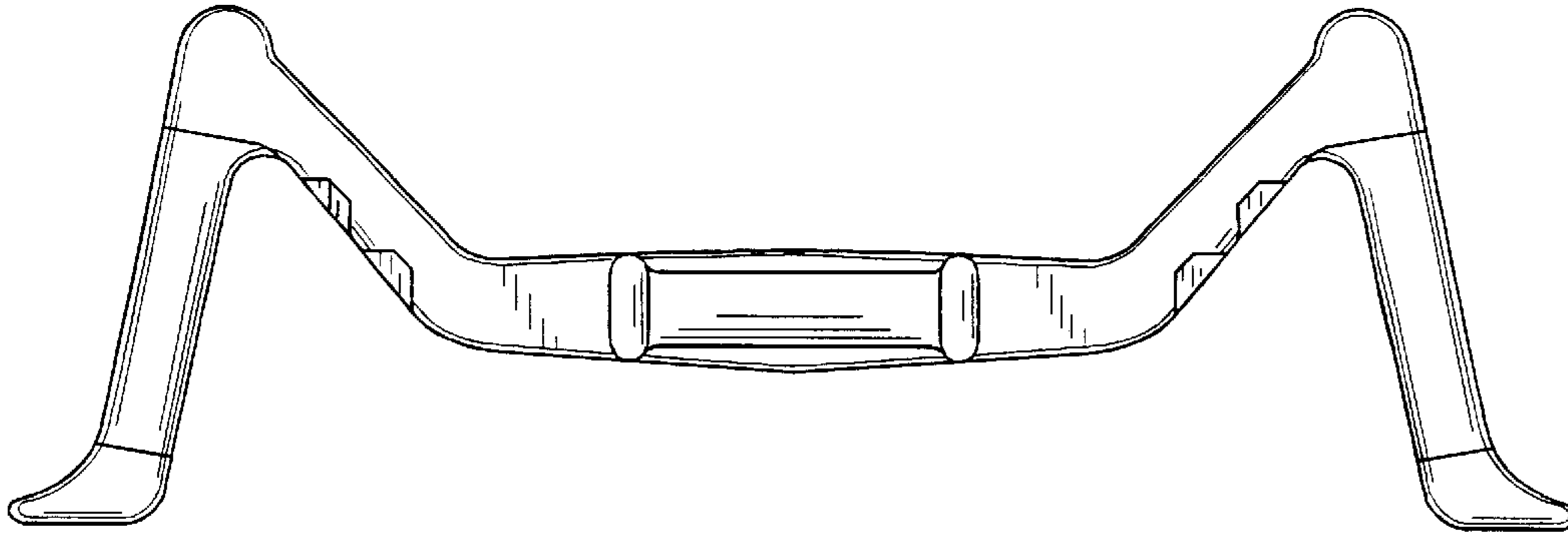
**FIG. 2**



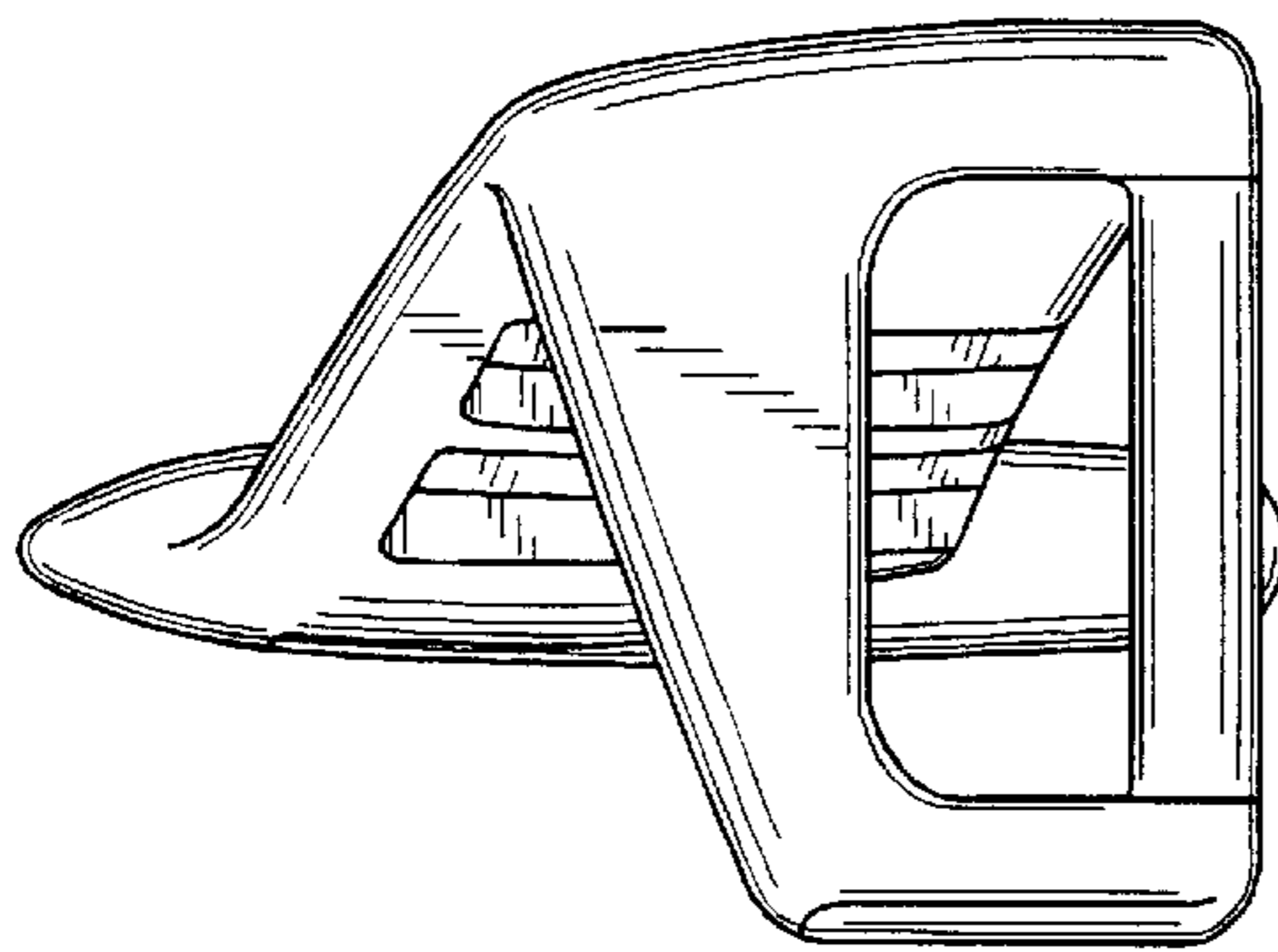
**FIG. 3**



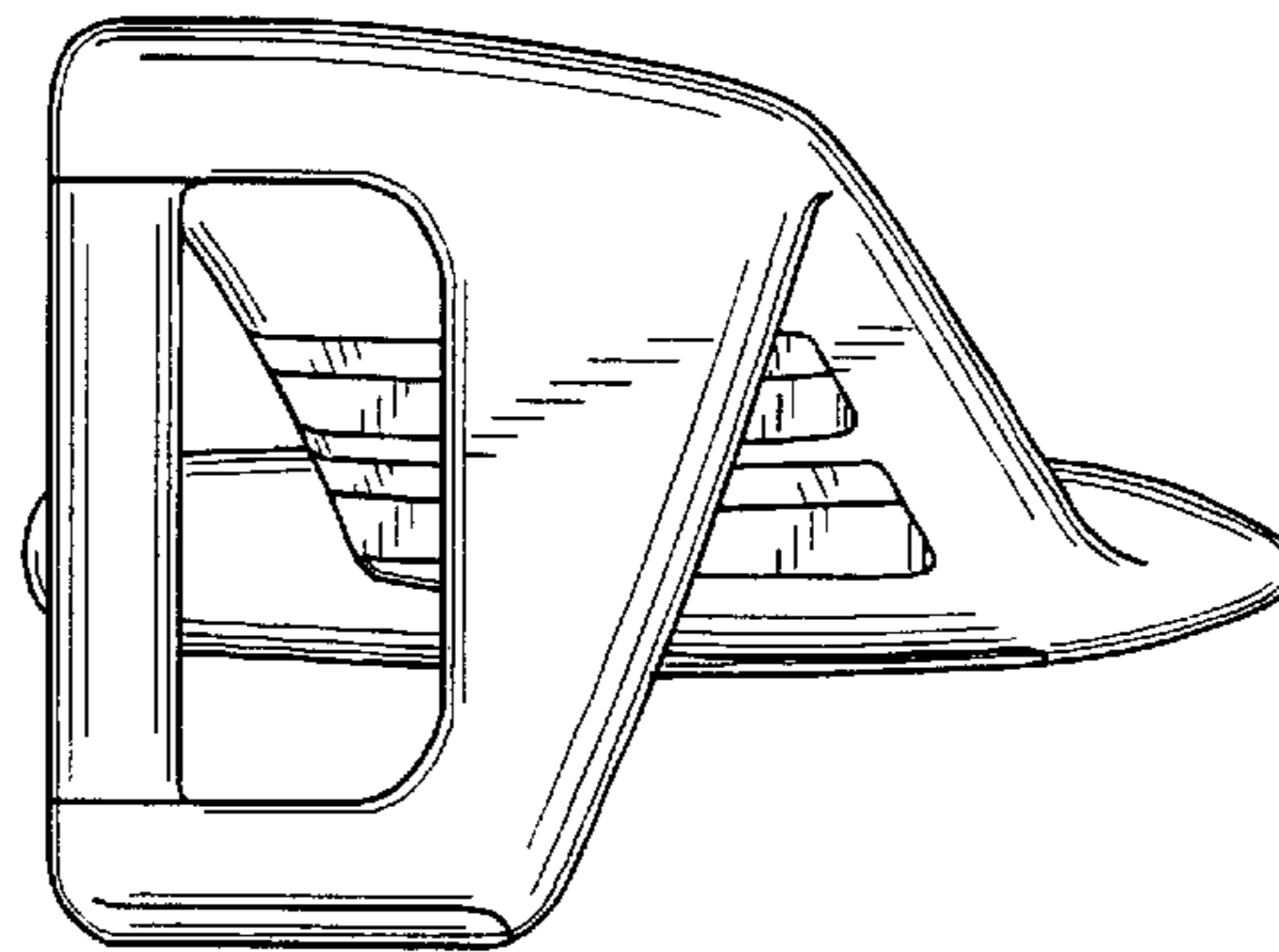
**FIG. 4**



**FIG. 5**



**FIG. 6**



**FIG. 7**