



US00D534595S

(12) **United States Design Patent**
Hasebe

(10) **Patent No.:** **US D534,595 S**
(45) **Date of Patent:** **** Jan. 2, 2007**

(54) **IRON GOLF CLUB HEAD**
(75) Inventor: **Yu Hasebe**, Tokyo (JP)
(73) Assignee: **Bridgestone Sports Co., Ltd.**, Tokyo (JP)
(**) Term: **14 Years**

JP 800092 S 11/1990
JP 738169-001 S 3/1991
JP 1137913 S 2/2002
JP 1138238 S 2/2002
JP 1188661 S 9/2003
JP 1188704 S 9/2003
JP 1188705 S 9/2003
JP 1213704 S 6/2004

* cited by examiner

(21) Appl. No.: **29/244,825**
(22) Filed: **Dec. 15, 2005**

Primary Examiner—Mitchell I. Siegel
(74) *Attorney, Agent, or Firm*—Sughrue Mion, PLLC

(30) **Foreign Application Priority Data**

Sep. 13, 2005 (JP) 2005-026494

(51) **LOC (8) Cl.** **21-02**
(52) **U.S. Cl.** **D21/747**
(58) **Field of Classification Search** D21/747-751;
473/324-331, 350
See application file for complete search history.

(57) **CLAIM**

The ornamental design for iron golf club head, as shown and described.

DESCRIPTION

FIG. 1 is a front view of iron golf club head embodying my new design;
FIG. 2 is a rear view thereof;
FIG. 3 is a plane view thereof;
FIG. 4 is a bottom view thereof;
FIG. 5 is a left side view thereof;
FIG. 6 is a right side view thereof;
FIG. 7 is a cross-sectional view taken on line 7—7 of FIG. 2.
FIG. 8 is a cross-sectional view taken on line 8—8 of FIG. 7.
FIG. 9 is a front perspective view of FIG. 1
FIG. 10 is a bottom rear perspective view of FIG. 1; and,
FIG. 11 is an inverted rear perspective view of FIG. 1.

(56) **References Cited**

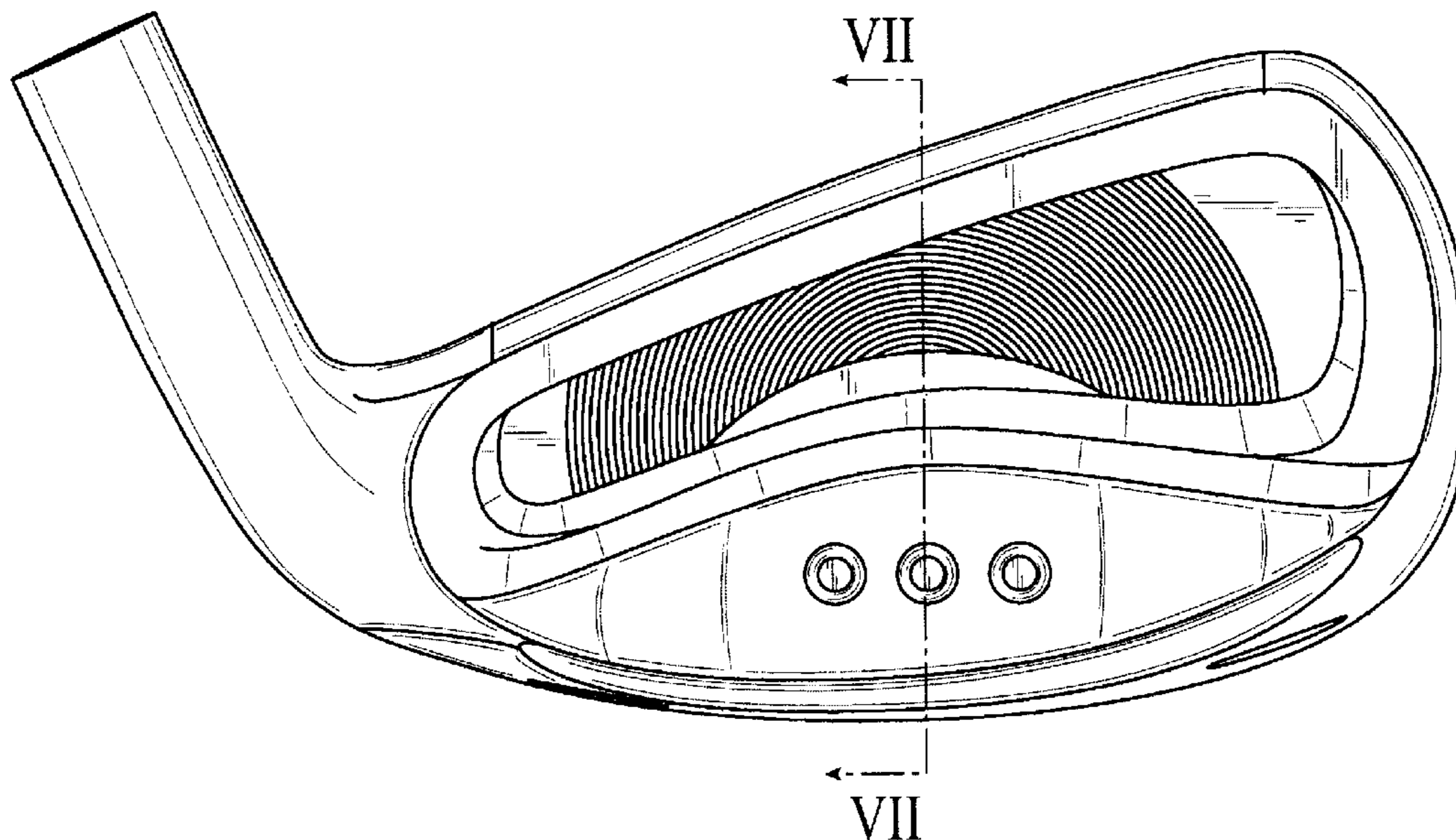
U.S. PATENT DOCUMENTS

D358,188 S * 5/1995 Fenton D21/749
D363,332 S * 10/1995 Krzynowek et al. D21/749
D388,486 S * 12/1997 Mahaffey D21/748
D388,487 S * 12/1997 Sheets D21/749
D429,298 S * 8/2000 Butler D21/747
D454,606 S 3/2002 Helmstetter et al.
D491,620 S 6/2004 Nishitani
D499,155 S 11/2004 Imamoto

FOREIGN PATENT DOCUMENTS

JP 738169 S 7/1988

1 Claim, 6 Drawing Sheets



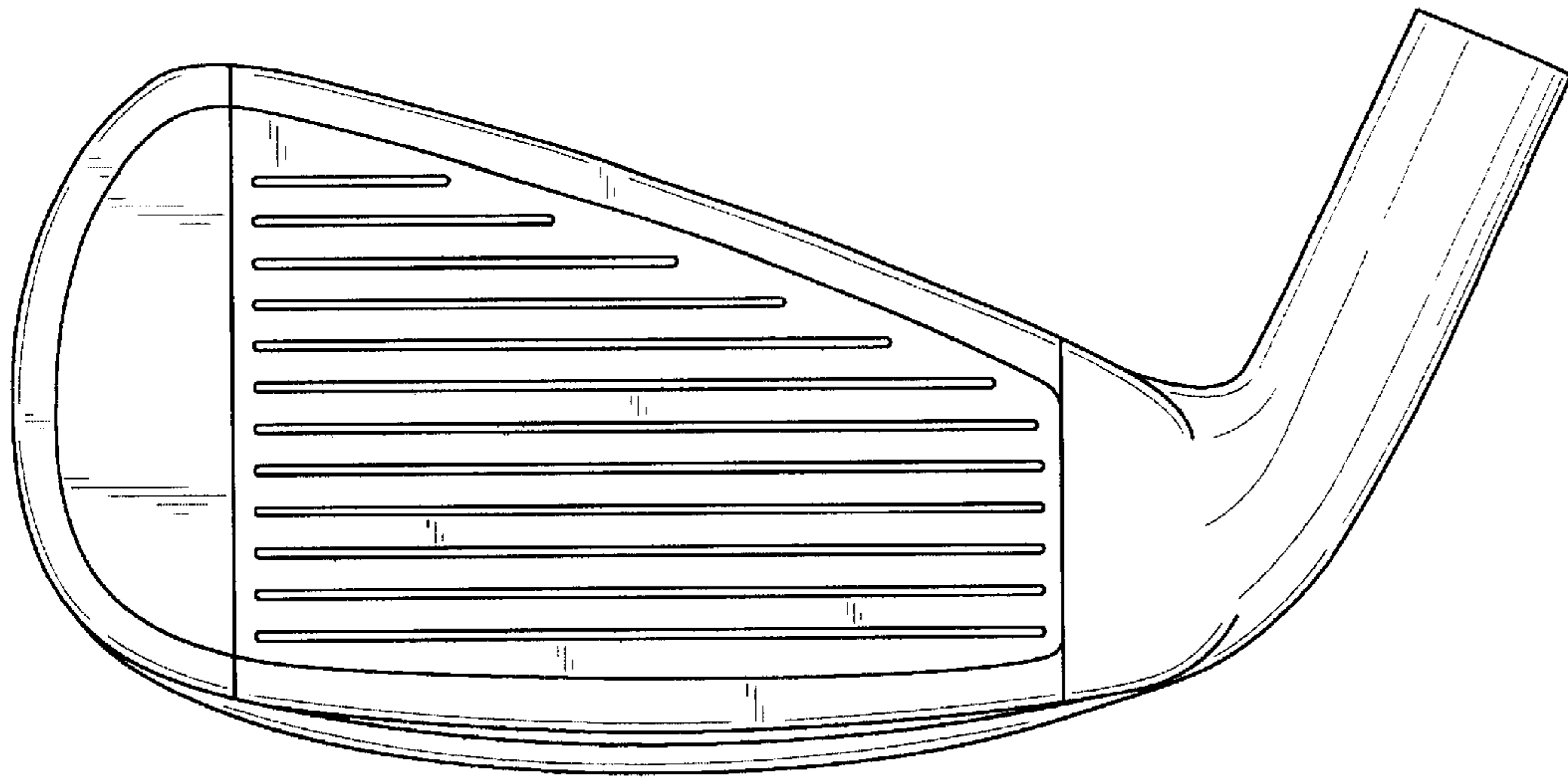


Fig. 1

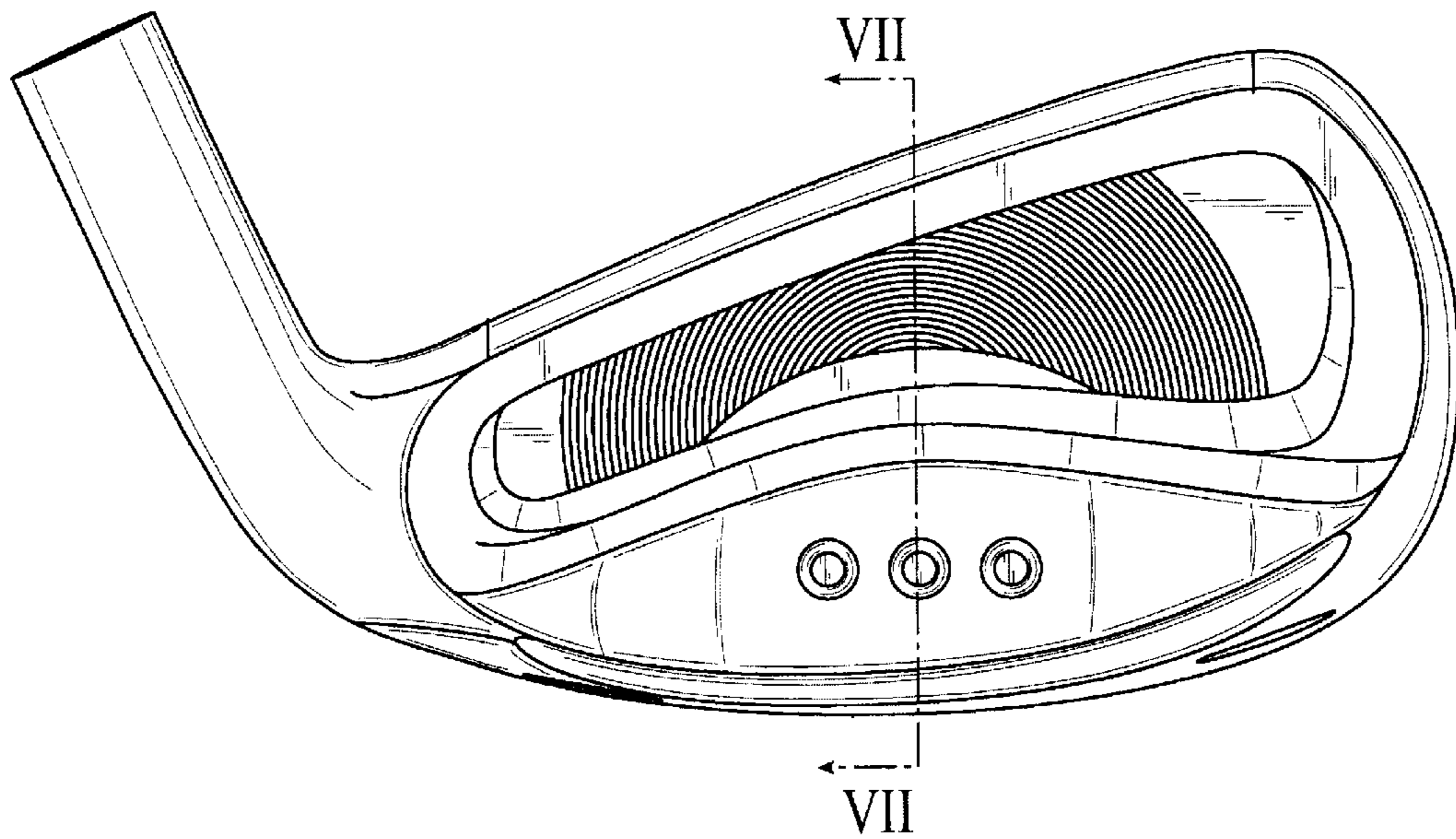


Fig. 2

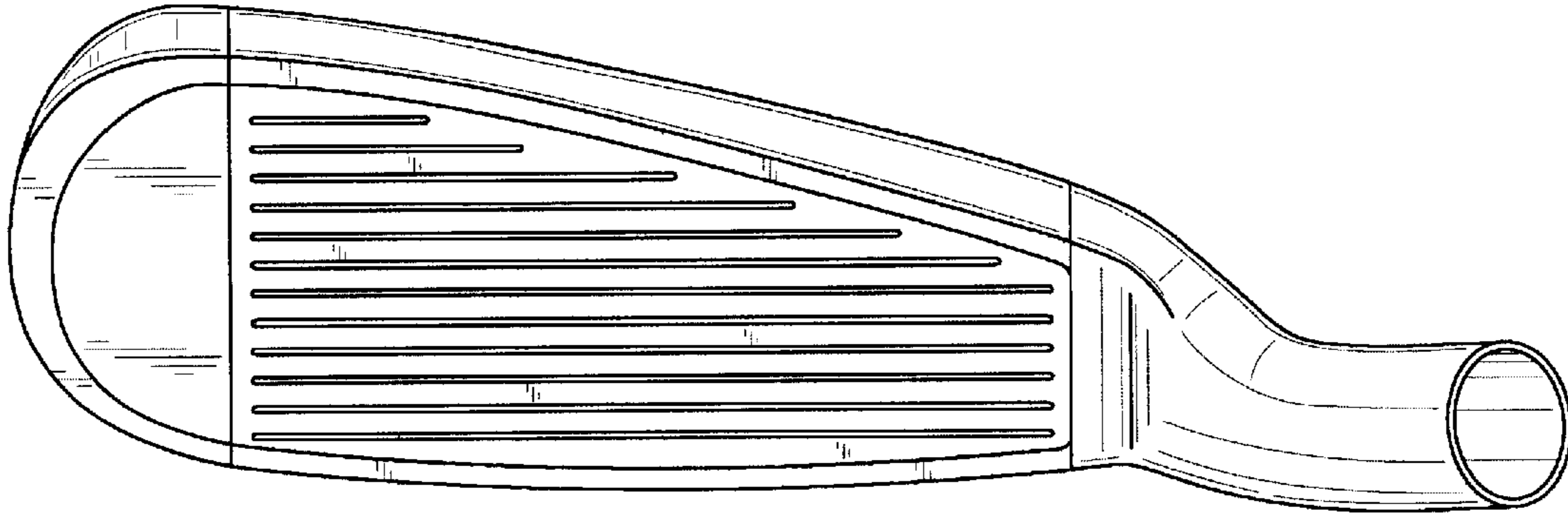


Fig. 3

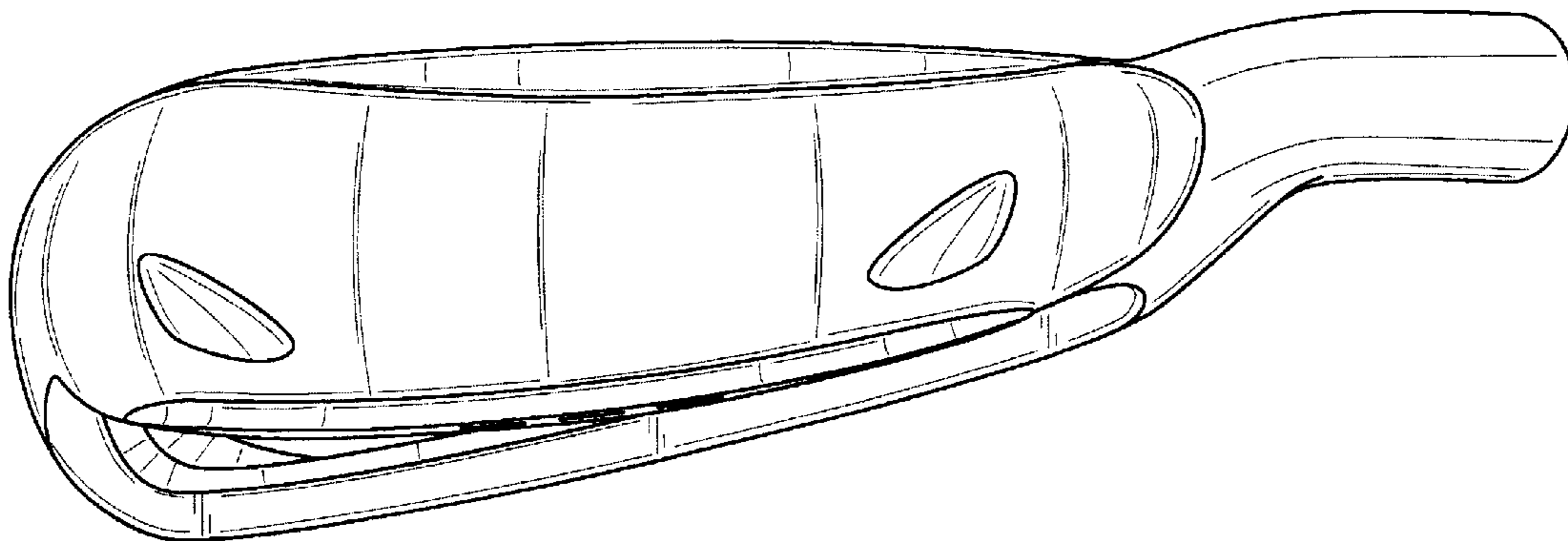


Fig. 4

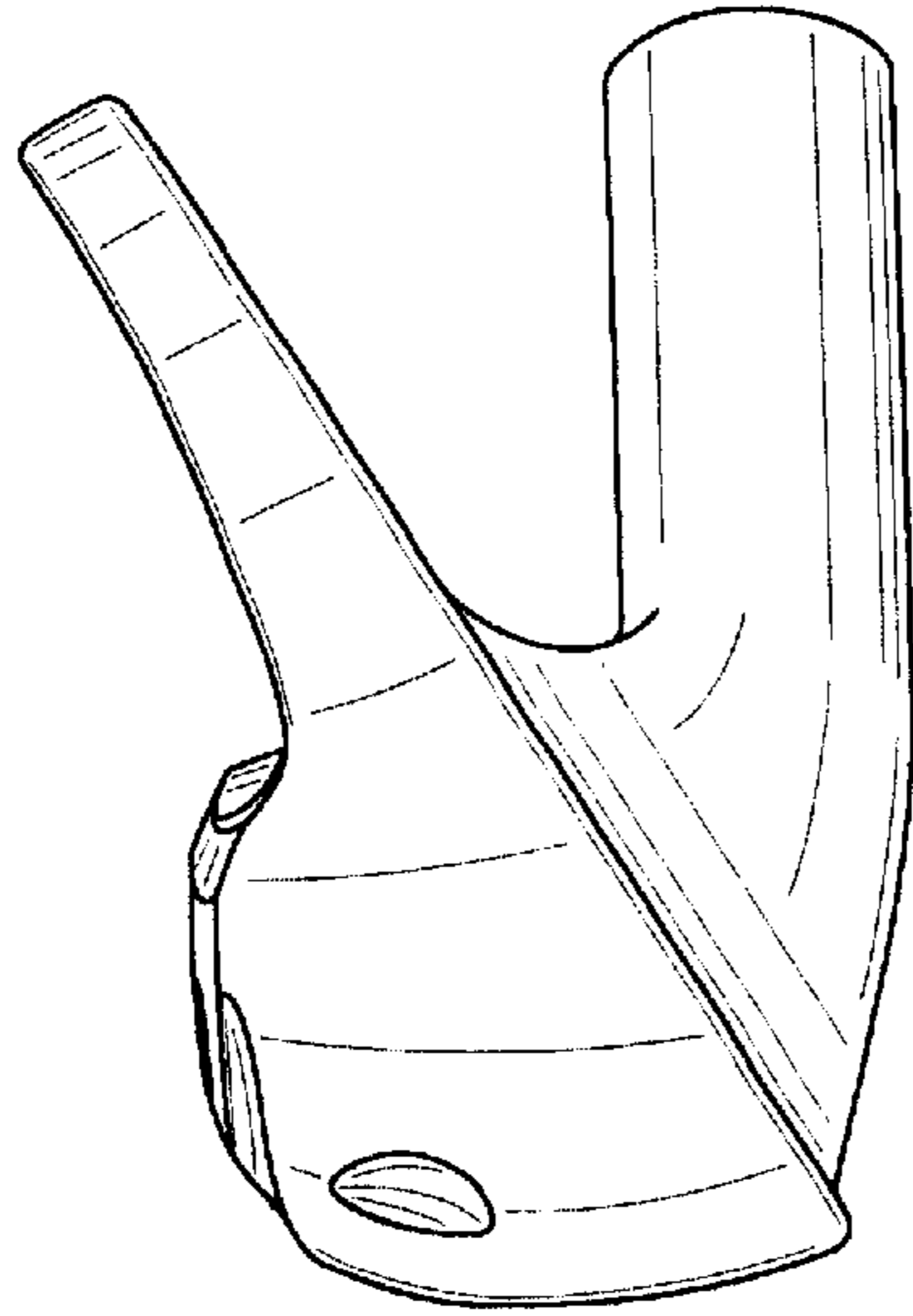


Fig. 5

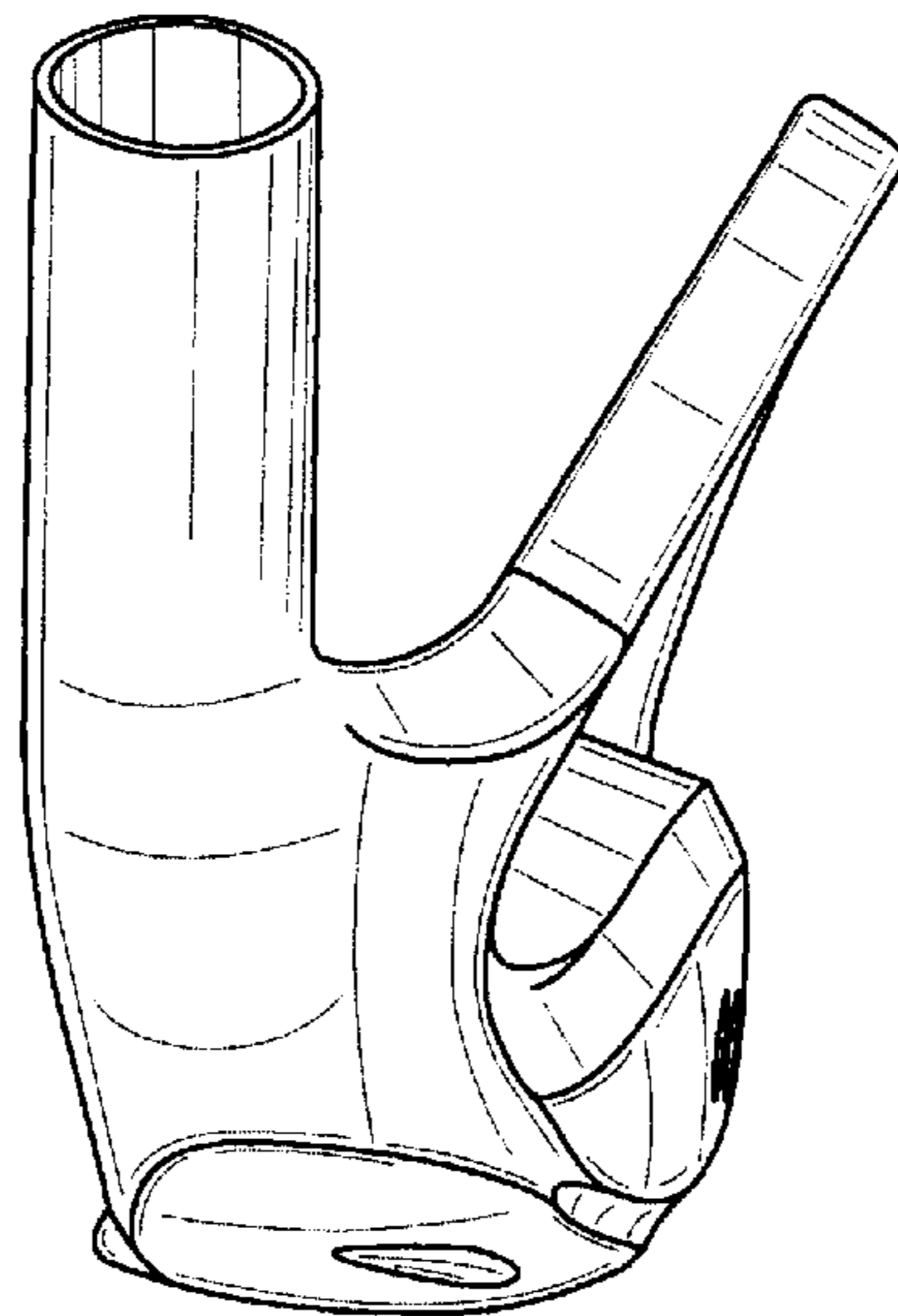


Fig. 6

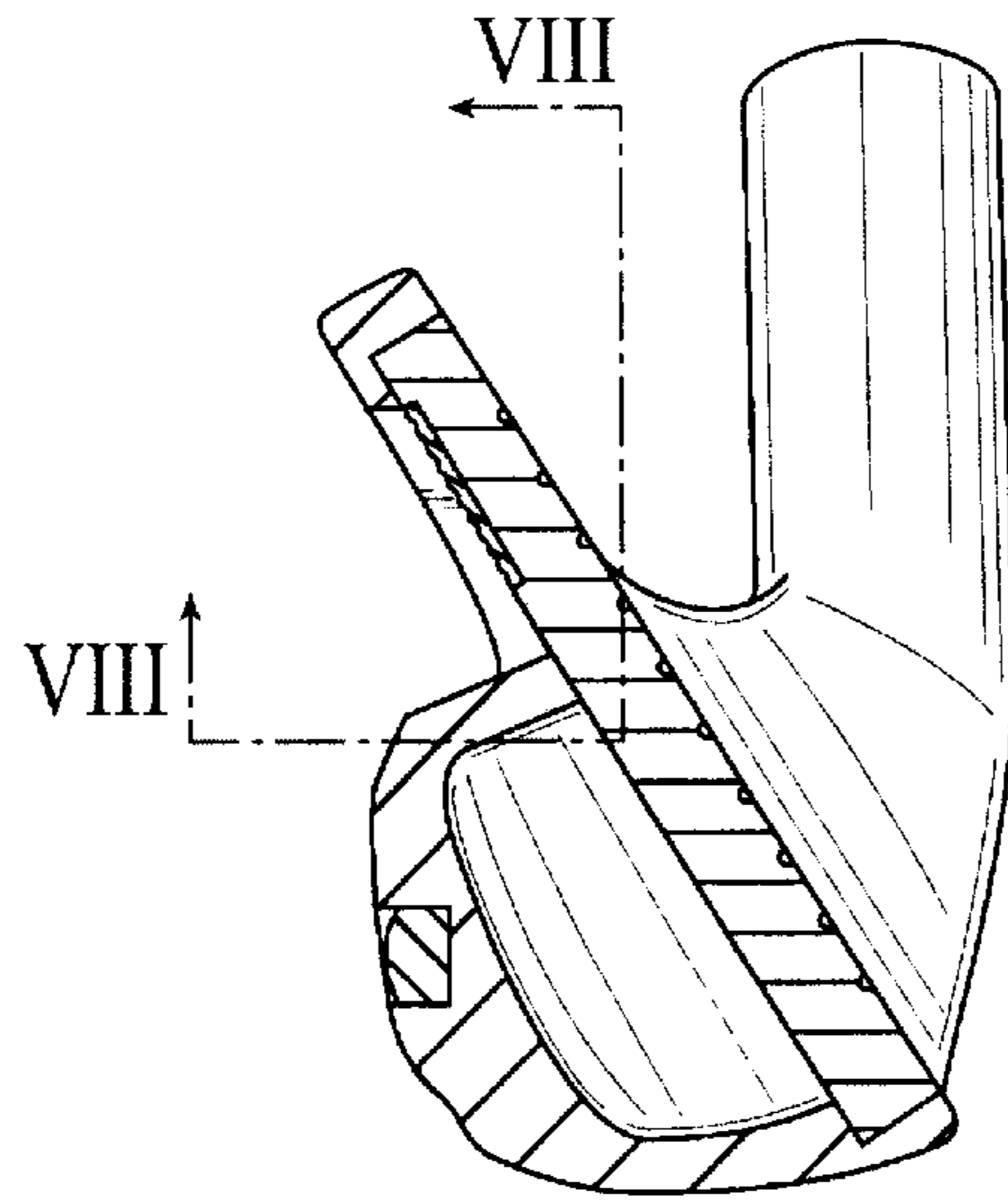


Fig. 7

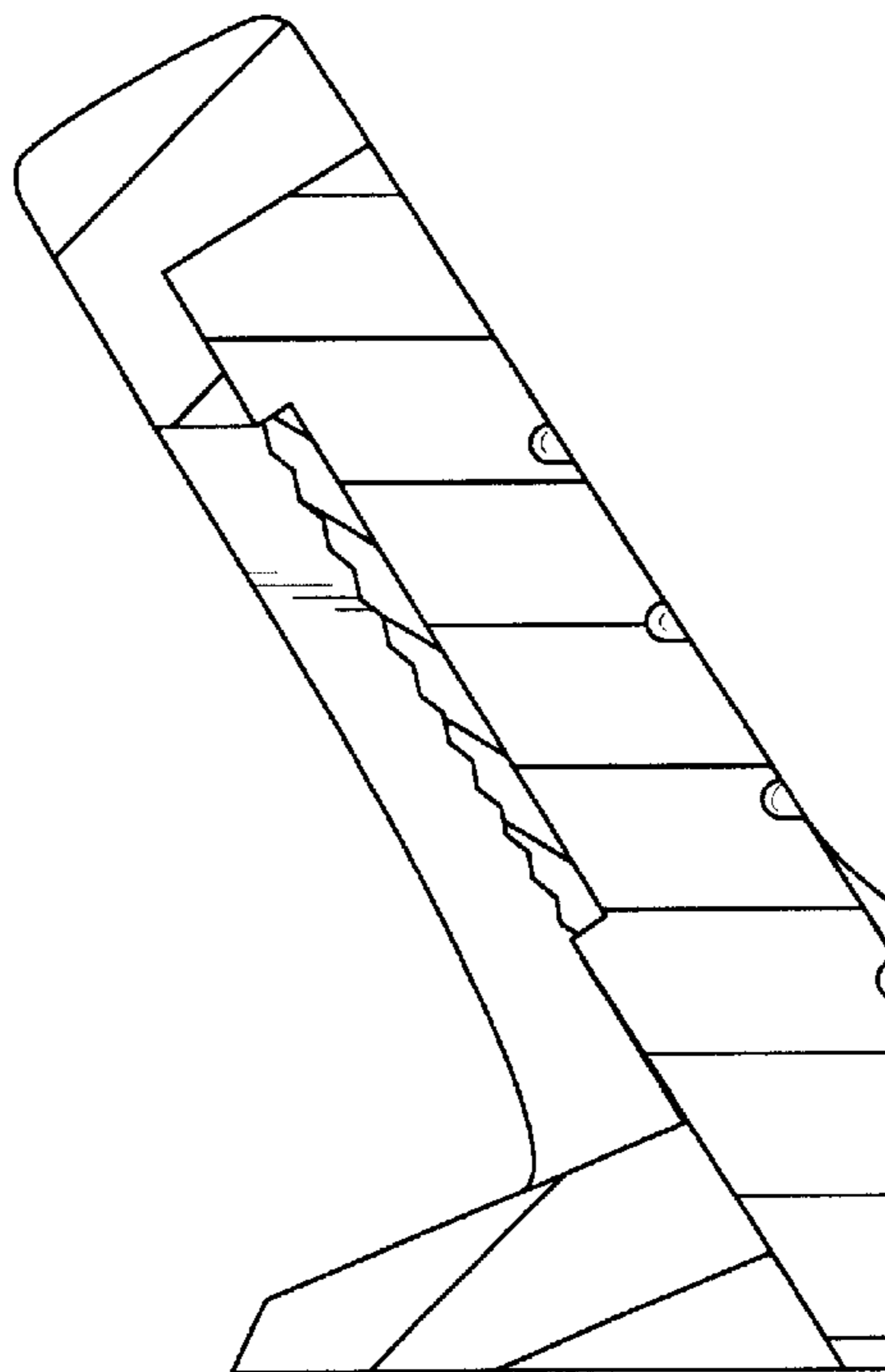


Fig. 8

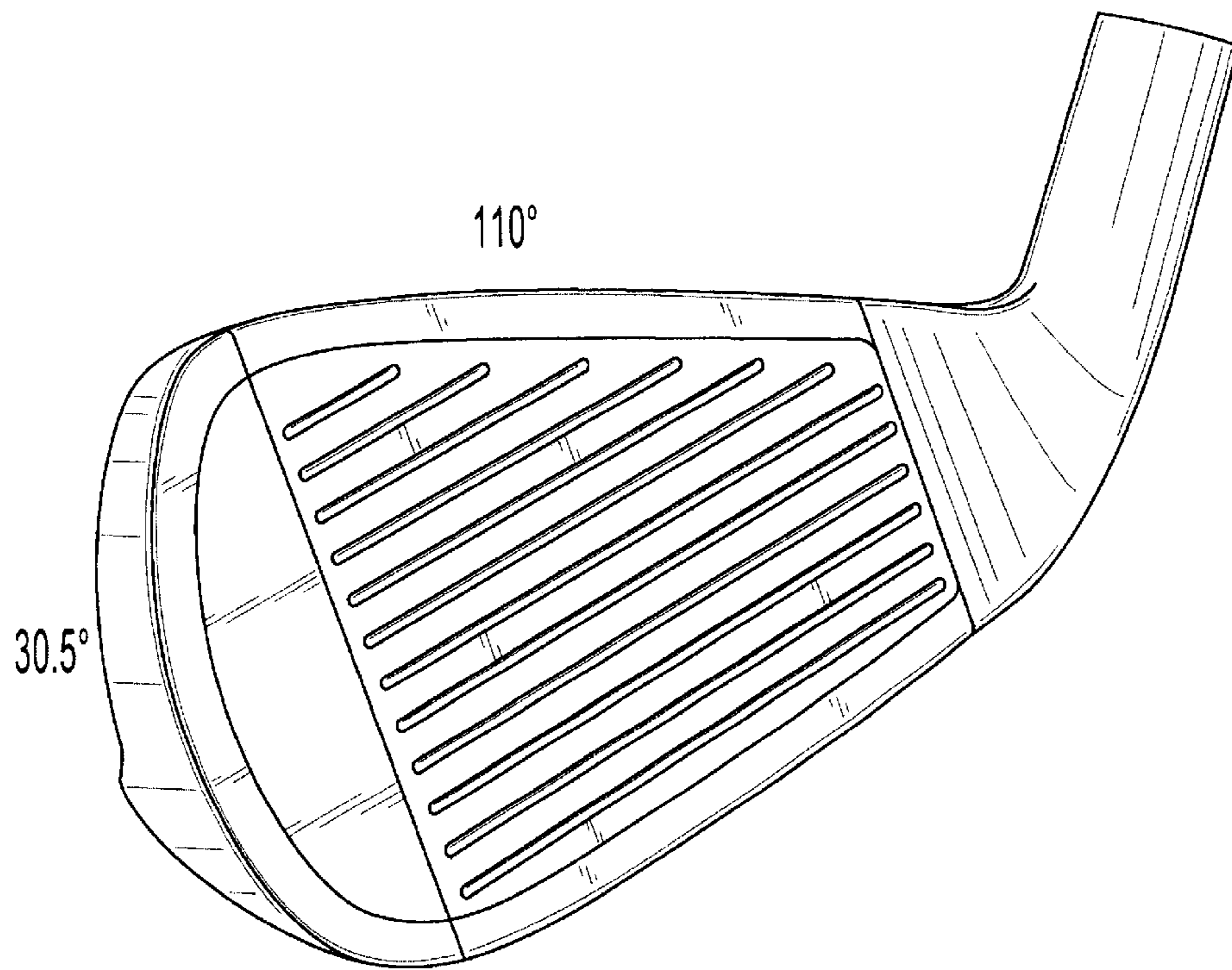


Fig. 9

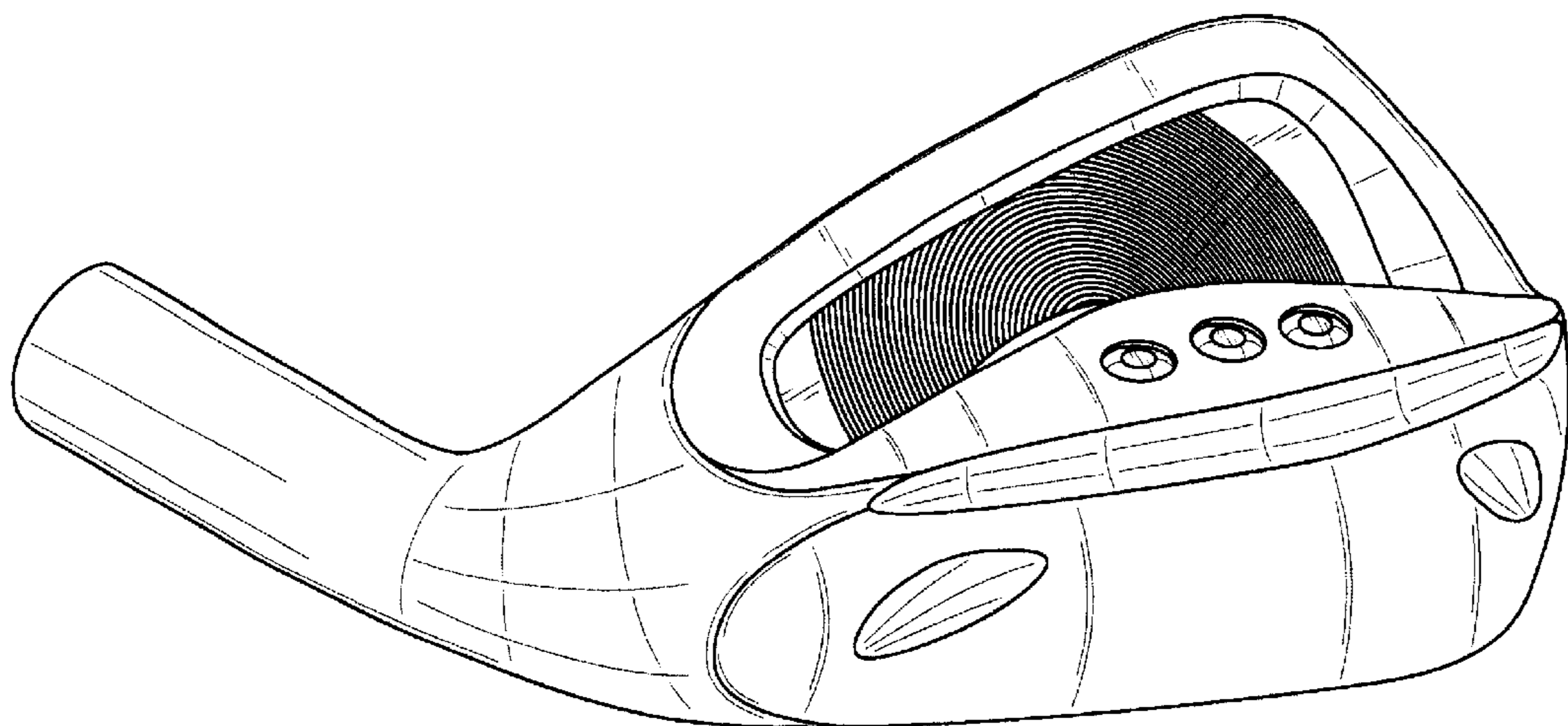


Fig. 10

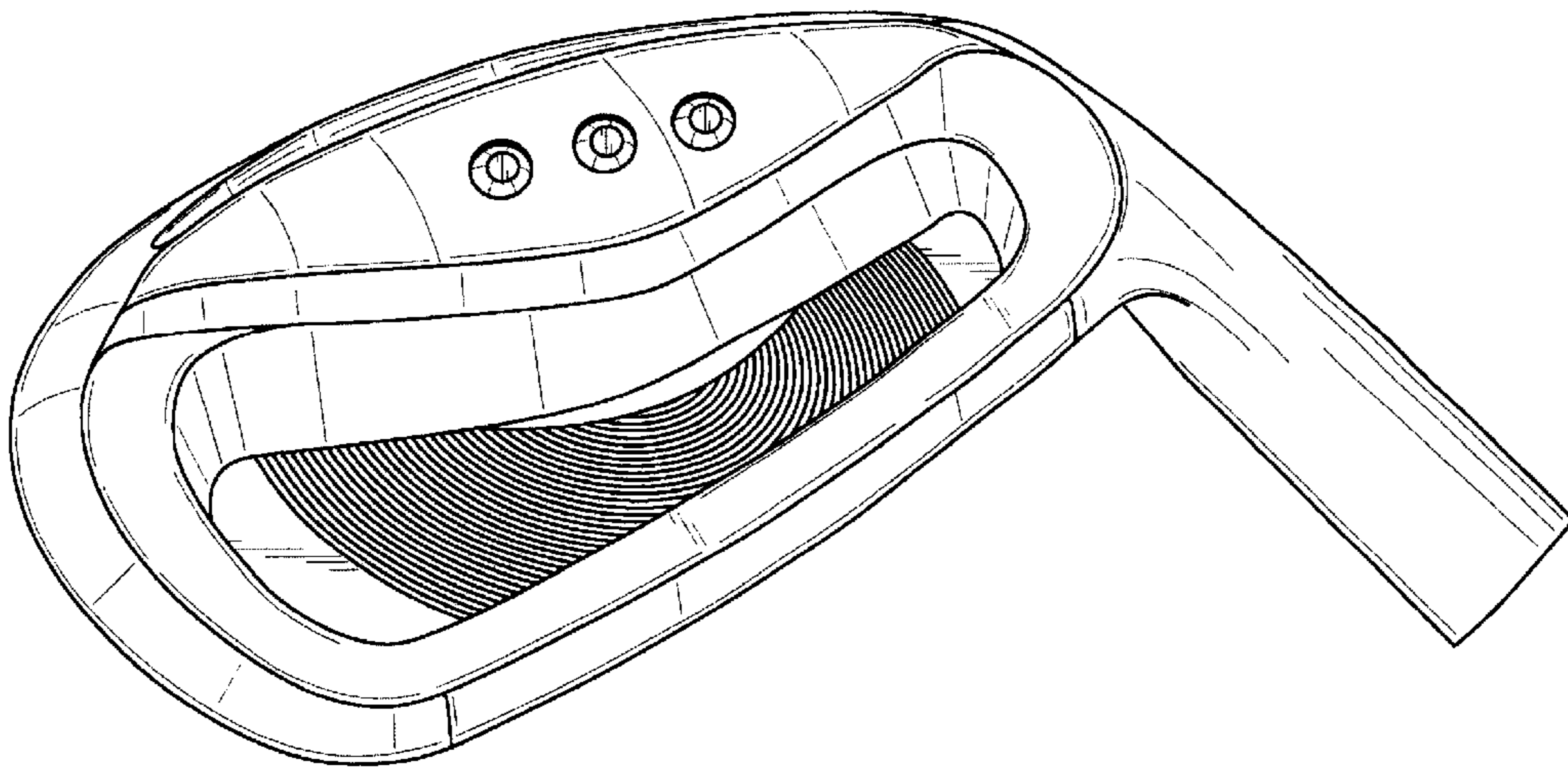


Fig. 11