

US00D534591S

(12) **United States Design Patent**  
**Chung**

(10) **Patent No.:** **US D534,591 S**

(45) **Date of Patent:** **\*\* Jan. 2, 2007**

(54) **ELECTRICAL SAND MOTORCYCLE FOR KIDS**

(76) **Inventor:** **Li Ping Chung**, No. 33, Lane 458, She Chung St., Shih Li District, Taipei (TW)

(\*\*) **Term:** **14 Years**

(21) **Appl. No.:** **29/235,502**

(22) **Filed:** **Aug. 3, 2005**

(51) **LOC (8) Cl.** ..... **21-01**

(52) **U.S. Cl.** ..... **D21/432**

(58) **Field of Classification Search** ..... D21/419-435,  
D21/415, 620; D6/345; 446/456, 465, 470,  
446/427-428, 451, 454, 471, 468, 450; 280/1.13,  
280/828, 87.01, 282, 87.021, 1.203, 47.11;  
D12/110-113

See application file for complete search history.

(56) **References Cited**

**U.S. PATENT DOCUMENTS**

D295,153 S	*	4/1988	Ryuzoji et al.	.....	D12/107
D330,694 S	*	11/1992	Kimura et al.	.....	D12/107
D423,059 S	*	4/2000	Chuan	.....	D21/432
D423,603 S	*	4/2000	Tasy	.....	D21/424

D429,774 S	*	8/2000	Lerch	.....	D21/432
D445,843 S	*	7/2001	Tse	.....	D21/432
D446,475 S	*	8/2001	Luh	.....	D12/107
D448,325 S	*	9/2001	Fujieda	.....	D12/107
D458,562 S	*	6/2002	Kalhok et al.	.....	D12/107
D464,291 S	*	10/2002	Wu	.....	D12/107
D468,117 S	*	1/2003	Kalhok et al.	.....	D6/354
D468,777 S	*	1/2003	Wu	.....	D21/432

\* cited by examiner

*Primary Examiner*—Raphael Barkai

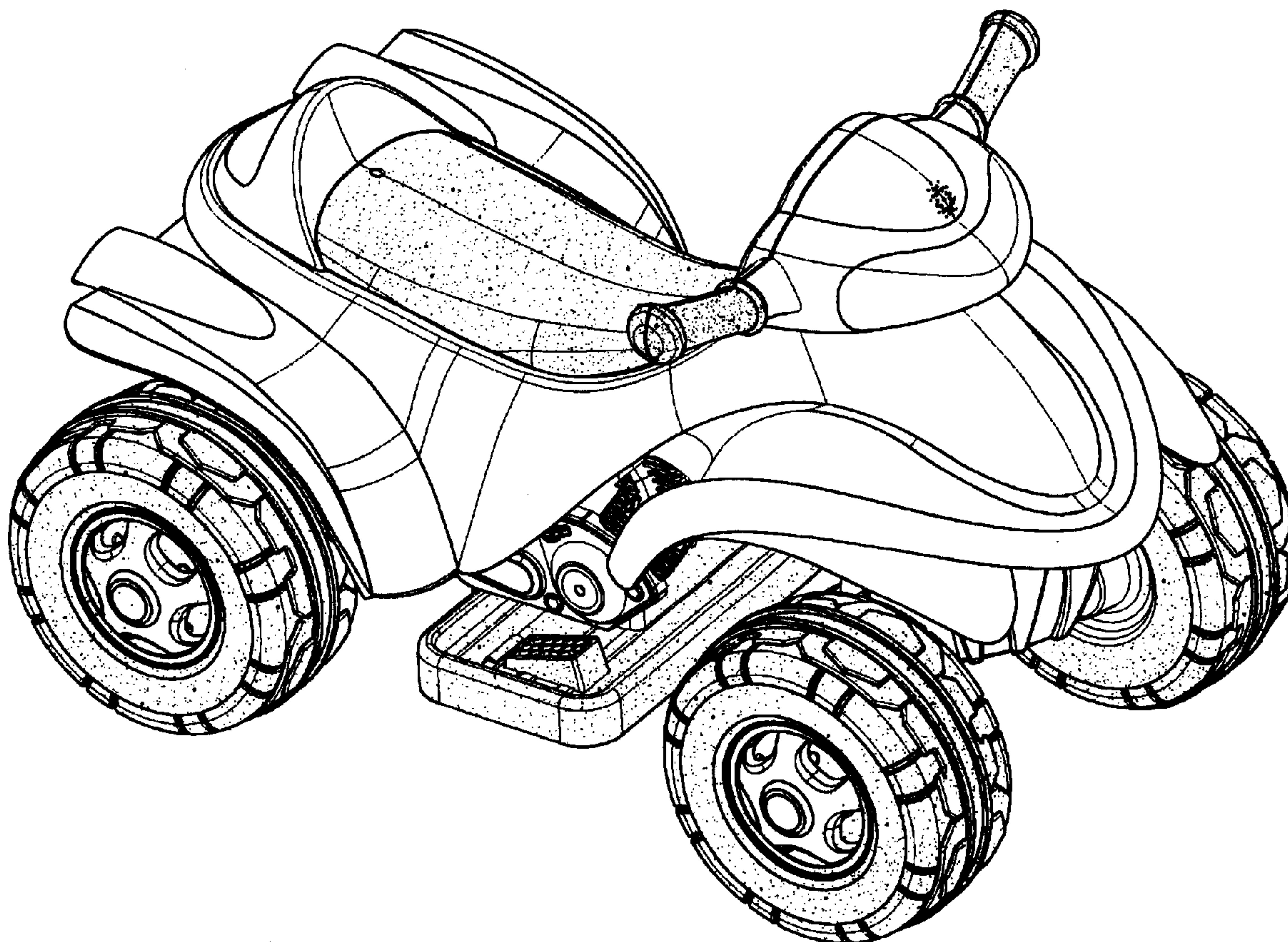
(57) **CLAIM**

The ornamental design for a electrical sand motorcycle for kids, as shown and described.

**DESCRIPTION**

FIG. 1 is a perspective view of a electrical sand motorcycle for kids showing the new design;  
FIG. 2 is a front view thereof;  
FIG. 3 is a rear view thereof;  
FIG. 4 is a left side view thereof;  
FIG. 5 is a right side view thereof;  
FIG. 6 is a top view thereof; and,  
FIG. 7 is a bottom view thereof.

**1 Claim, 5 Drawing Sheets**



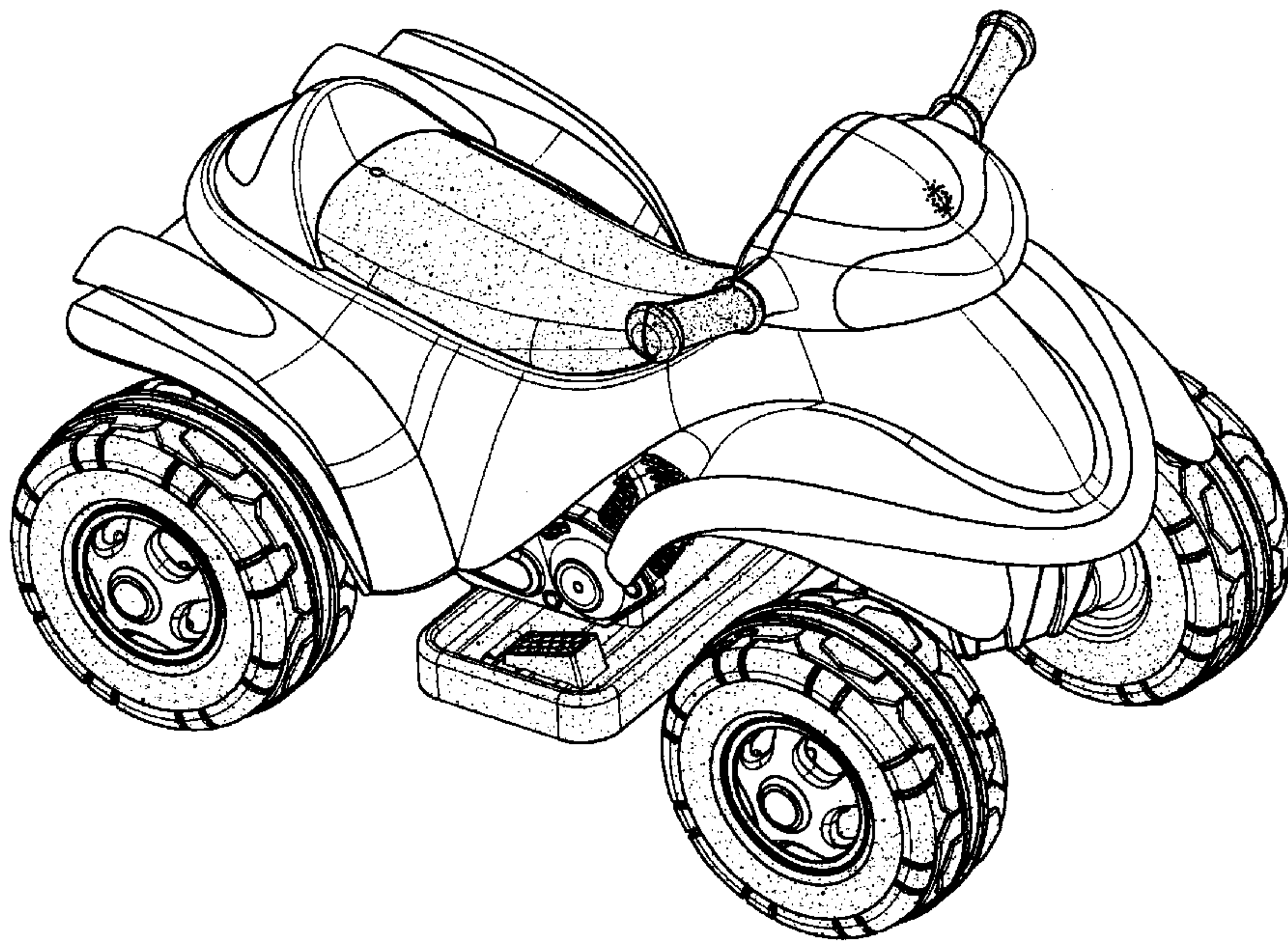


FIG. 1



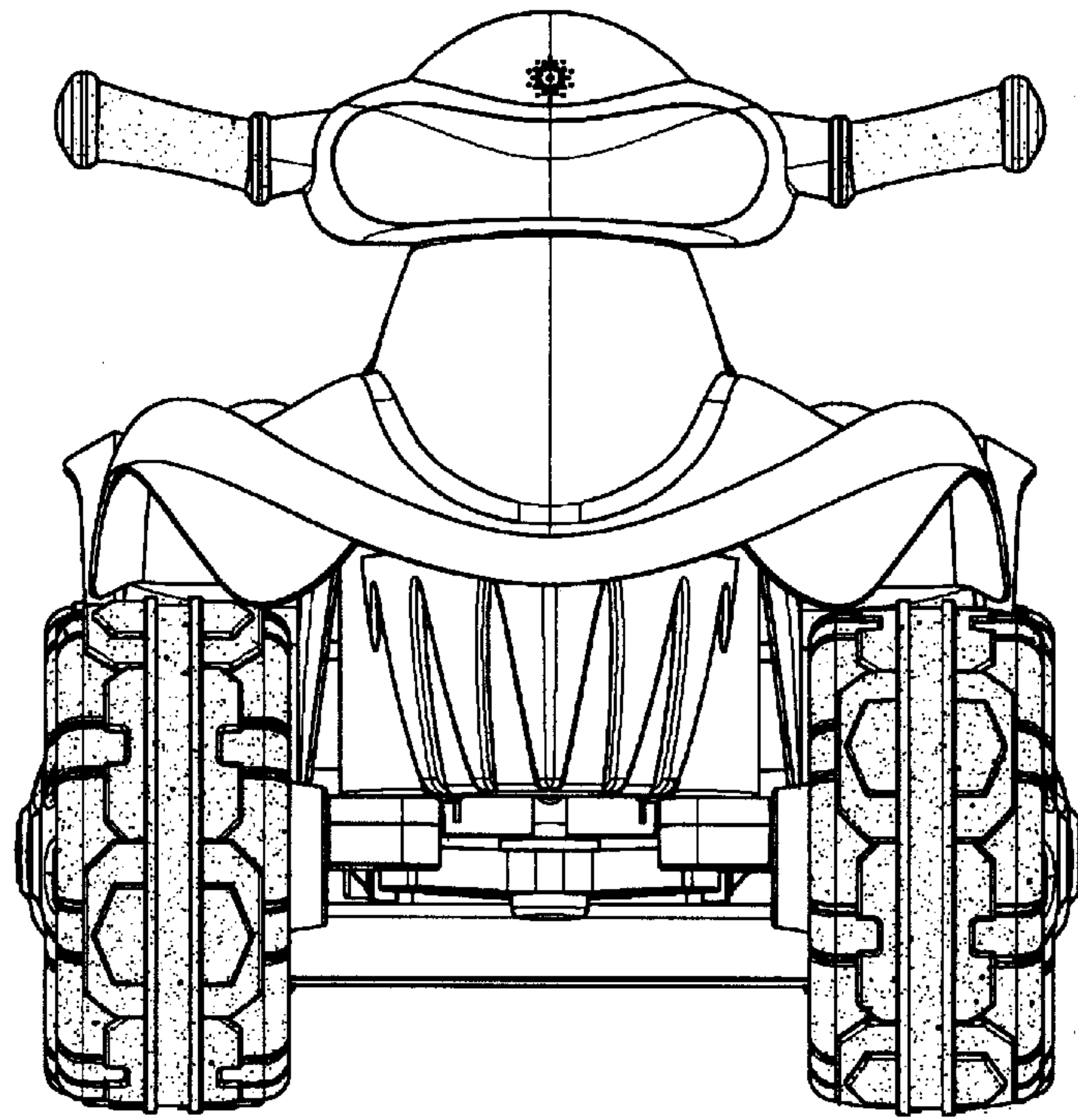


FIG. 2

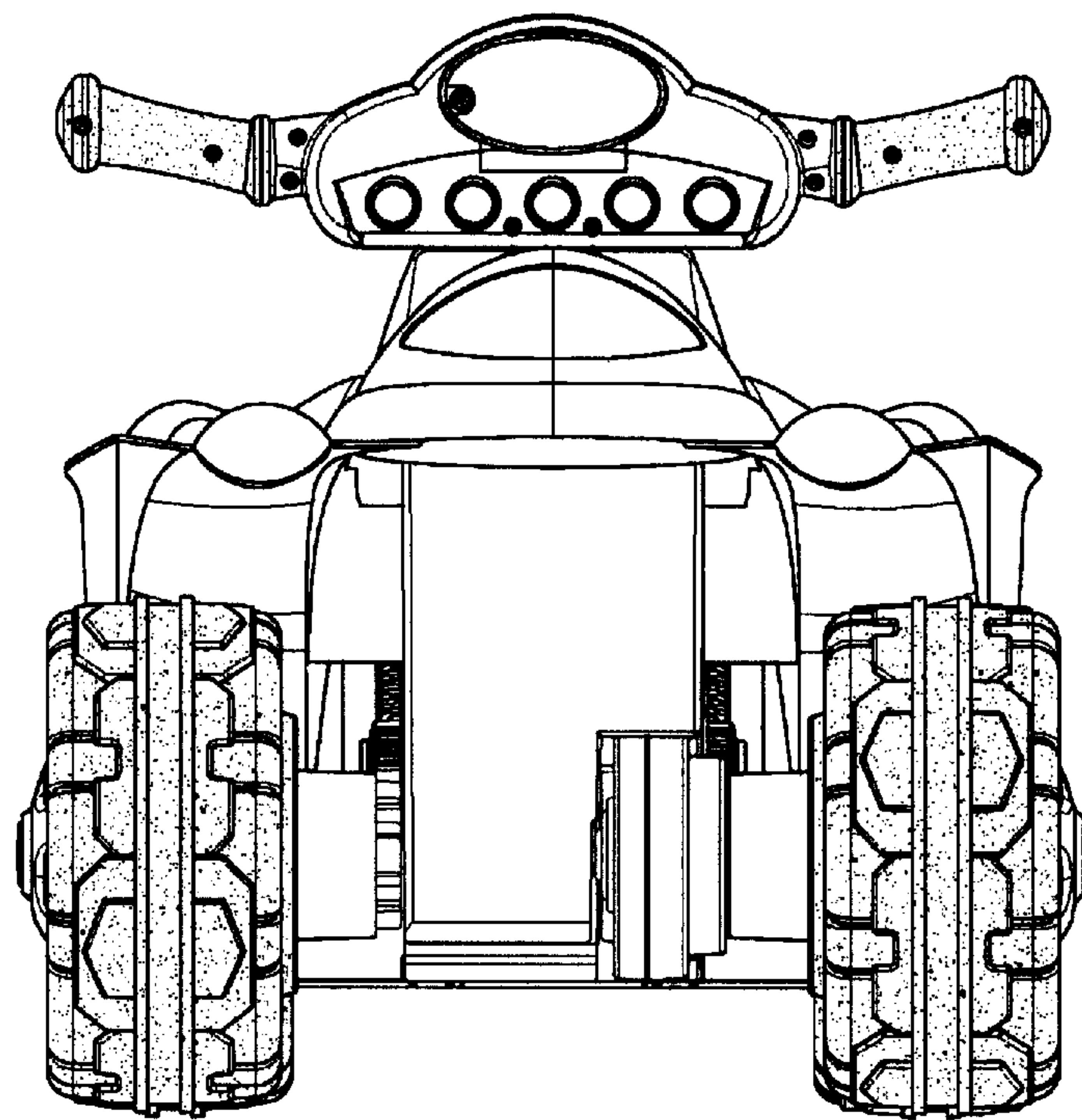


FIG. 3

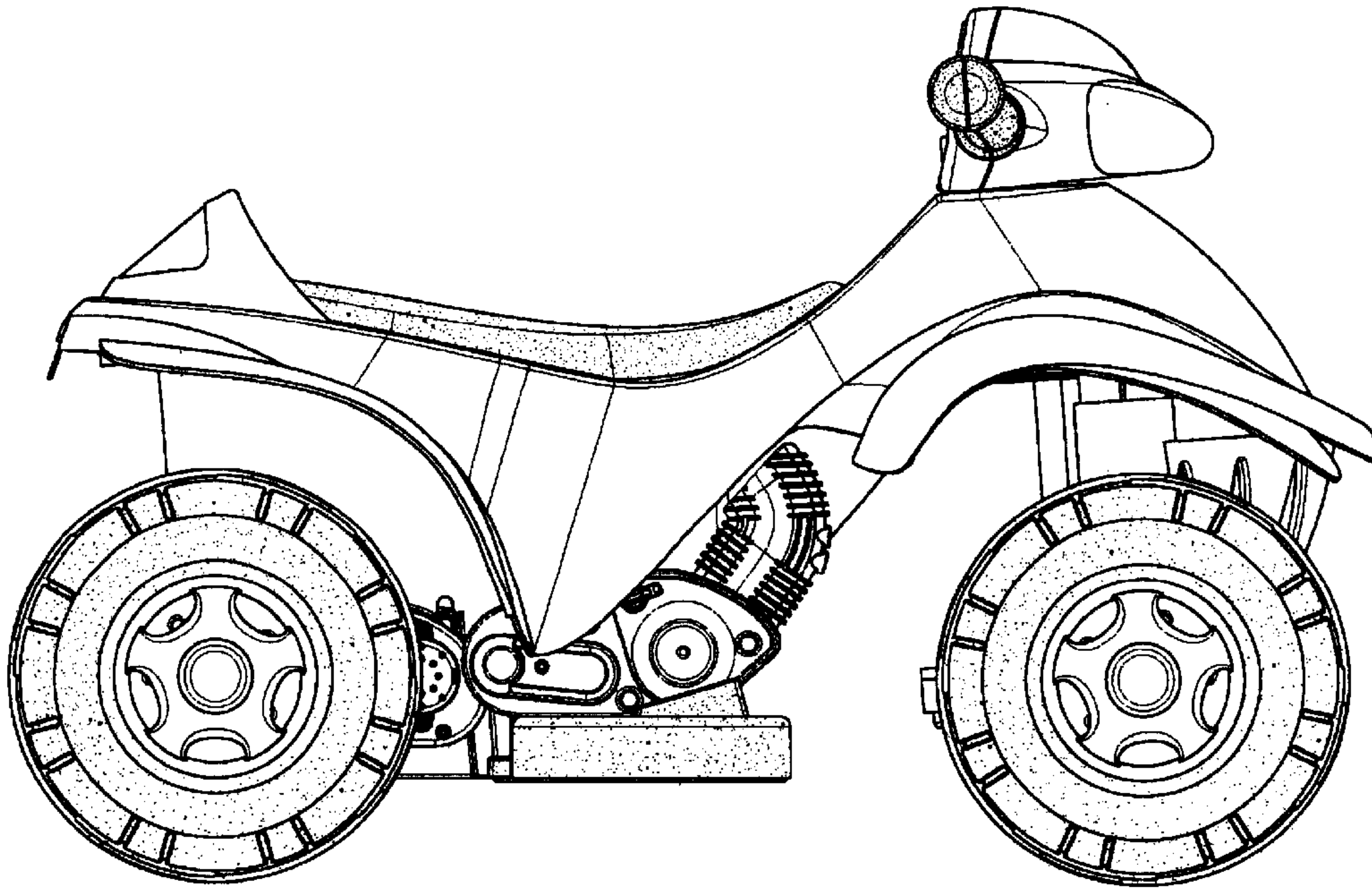


FIG. 4

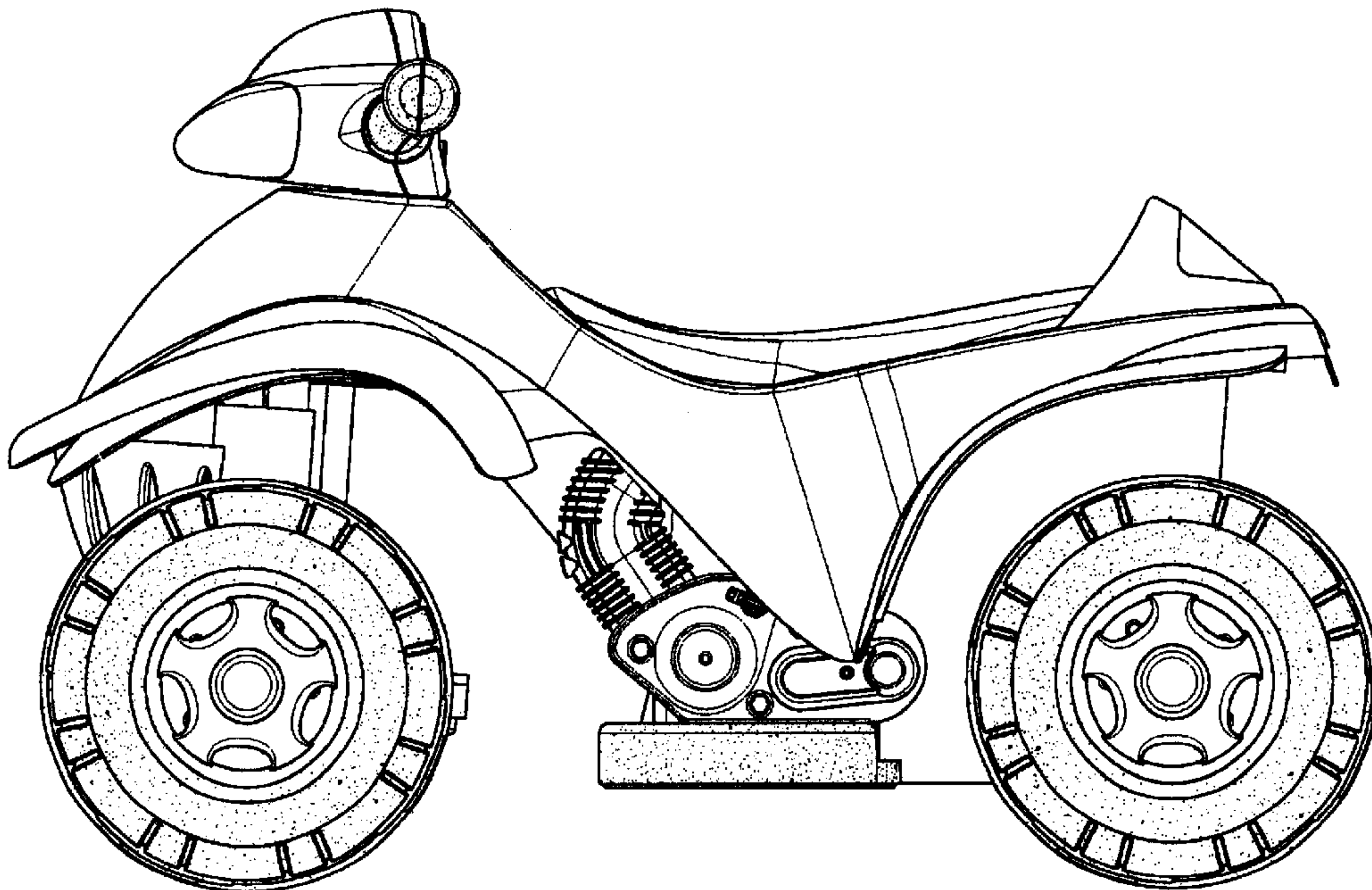


FIG. 5

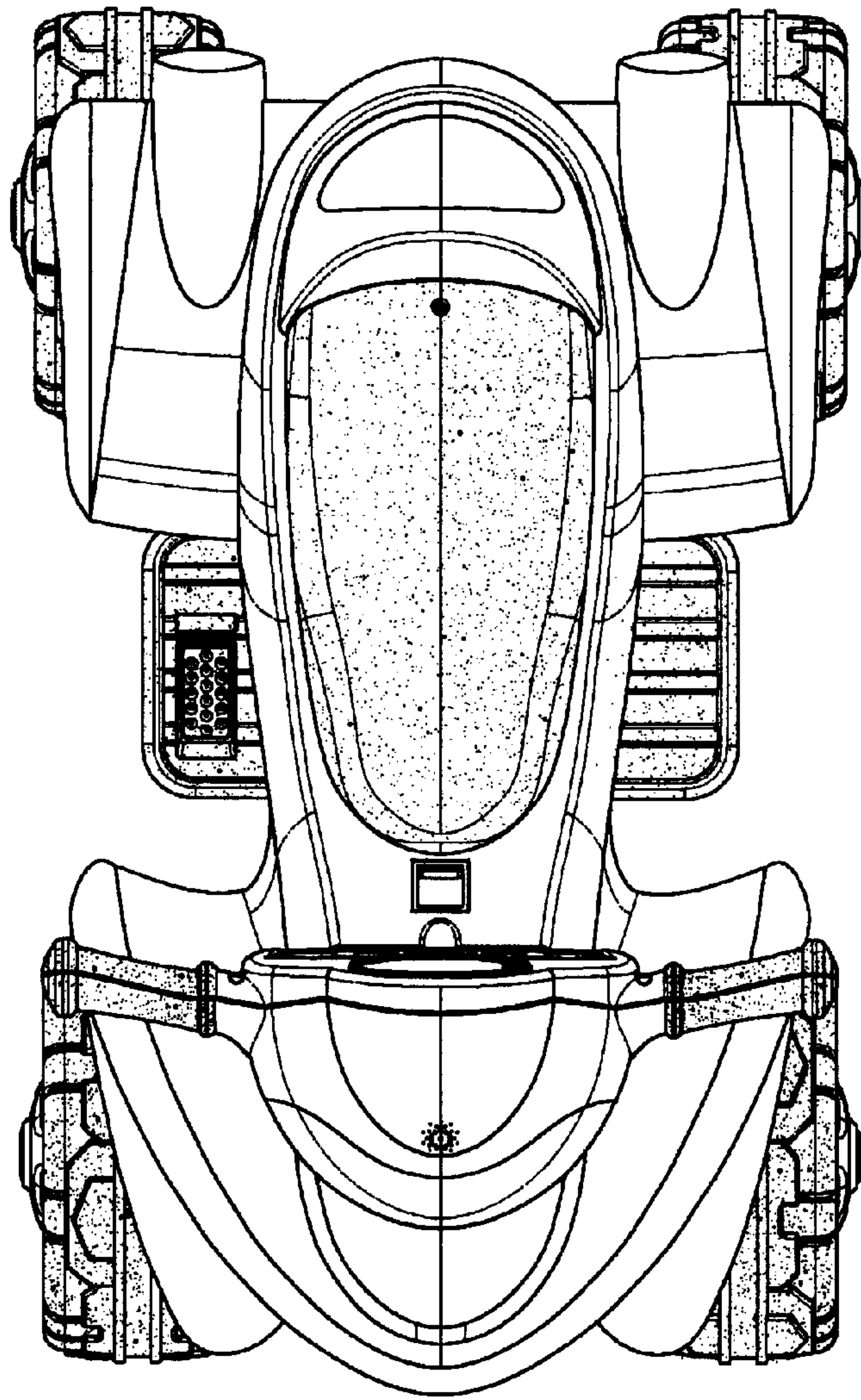


FIG. 6



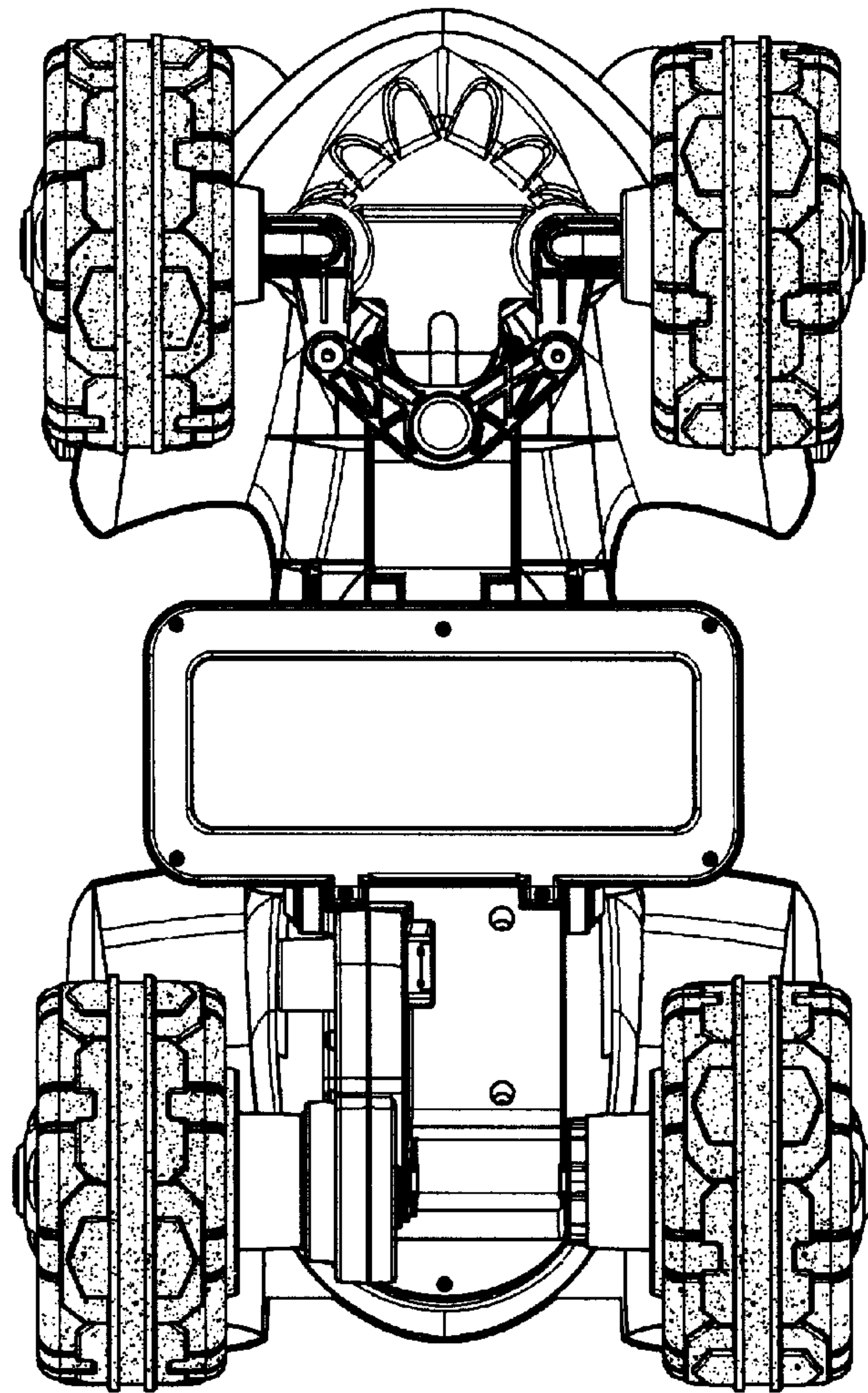


FIG. 7