



US00D534589S

(12) **United States Design Patent**  
**Gullicks et al.**

(10) **Patent No.:** **US D534,589 S**

(45) **Date of Patent:** **\*\* Jan. 2, 2007**

(54) **TAPE DISPENSER**

(75) Inventors: **Scott D. Gullicks**, Apple Valley, MN  
(US); **Joy A. Packard**, Somerset, WI  
(US)

(73) Assignee: **3M Innovative Properties Company**,  
St. Paul, MN (US)

(\*\*) **Term:** **14 Years**

(21) Appl. No.: **29/222,054**

(22) Filed: **Jan. 25, 2005**

(51) **LOC (8) Cl.** ..... **19-02**

(52) **U.S. Cl.** ..... **D19/69**

(58) **Field of Classification Search** ..... D19/67,  
D19/68, 69, 70; 156/523, 527, 577; 206/411;  
225/6, 11, 19, 25, 26, 39, 56, 77; 242/588.1,  
242/588.2, 588.3, 588.6

See application file for complete search history.

(56) **References Cited**

**U.S. PATENT DOCUMENTS**

D361,086	S	*	8/1995	Thompson et al.	.....	D19/69
D362,684	S	*	9/1995	Samuelson et al.	.....	D19/69
5,468,332	A	*	11/1995	Dretzka et al.	.....	156/527
5,672,238	A	*	9/1997	Samuelson	.....	156/579
5,759,342	A		6/1998	Luhman et al.		
5,820,005	A	*	10/1998	Perkitny et al.	.....	225/65
D442,227	S	*	5/2001	Carlson et al.	.....	D19/69
D448,413	S	*	9/2001	Carlson et al.	.....	D19/69
D449,858	S		10/2001	Liu		
D454,911	S		3/2002	Carlson et al.		
D463,825	S		10/2002	Carlson et al.		

D475,744	S		6/2003	De Man et al.		
6,669,070	B1	*	12/2003	Huang	.....	225/56
D491,985	S		6/2004	Mueller et al.		
6,789,594	B1		9/2004	Chen et al.		
6,848,490	B1	*	2/2005	Ho	.....	156/527
D507,020	S	*	7/2005	Mueller et al.	.....	D19/69
6,923,358	B1	*	8/2005	Chandaria	.....	225/56
2002/0079346	A1	*	6/2002	Yu	.....	225/57
2004/0011473	A1	*	1/2004	Van Tyle et al.	.....	156/527
2005/0241775	A1	*	11/2005	Van Tyle et al.	.....	156/577
2005/0284581	A1	*	12/2005	Yu Chen	.....	156/523

\* cited by examiner

*Primary Examiner*—Elizabeth A. Albert

(74) *Attorney, Agent, or Firm*—Trisha D. Adamson

(57) **CLAIM**

The ornamental design for a tape dispenser, as shown and described.

**DESCRIPTION**

FIG. 1 is a perspective view of a tape dispenser according to the present invention;

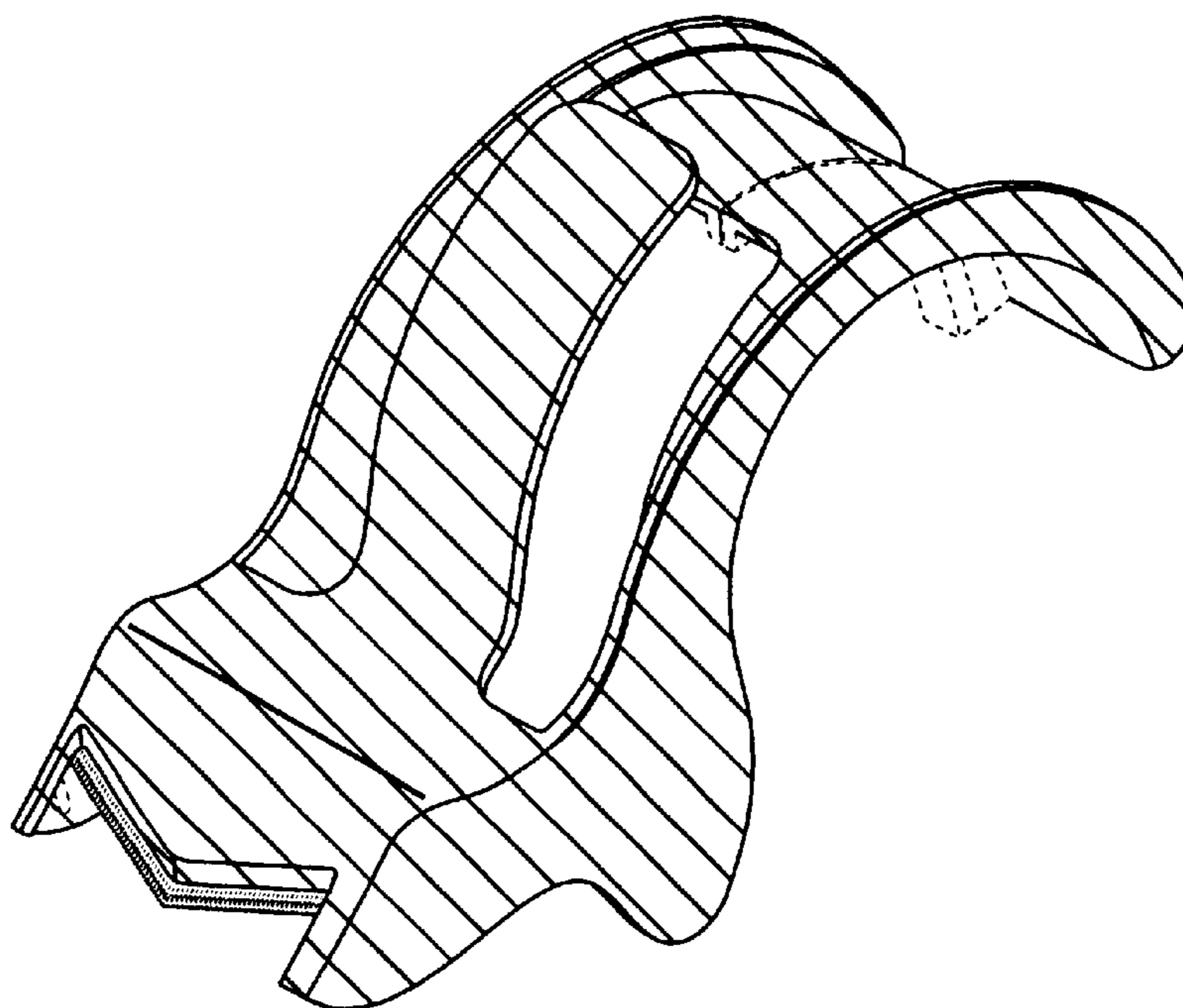
FIG. 2 is a right side view of the tape dispenser of FIG. 1, the left side view being a mirror image thereof;

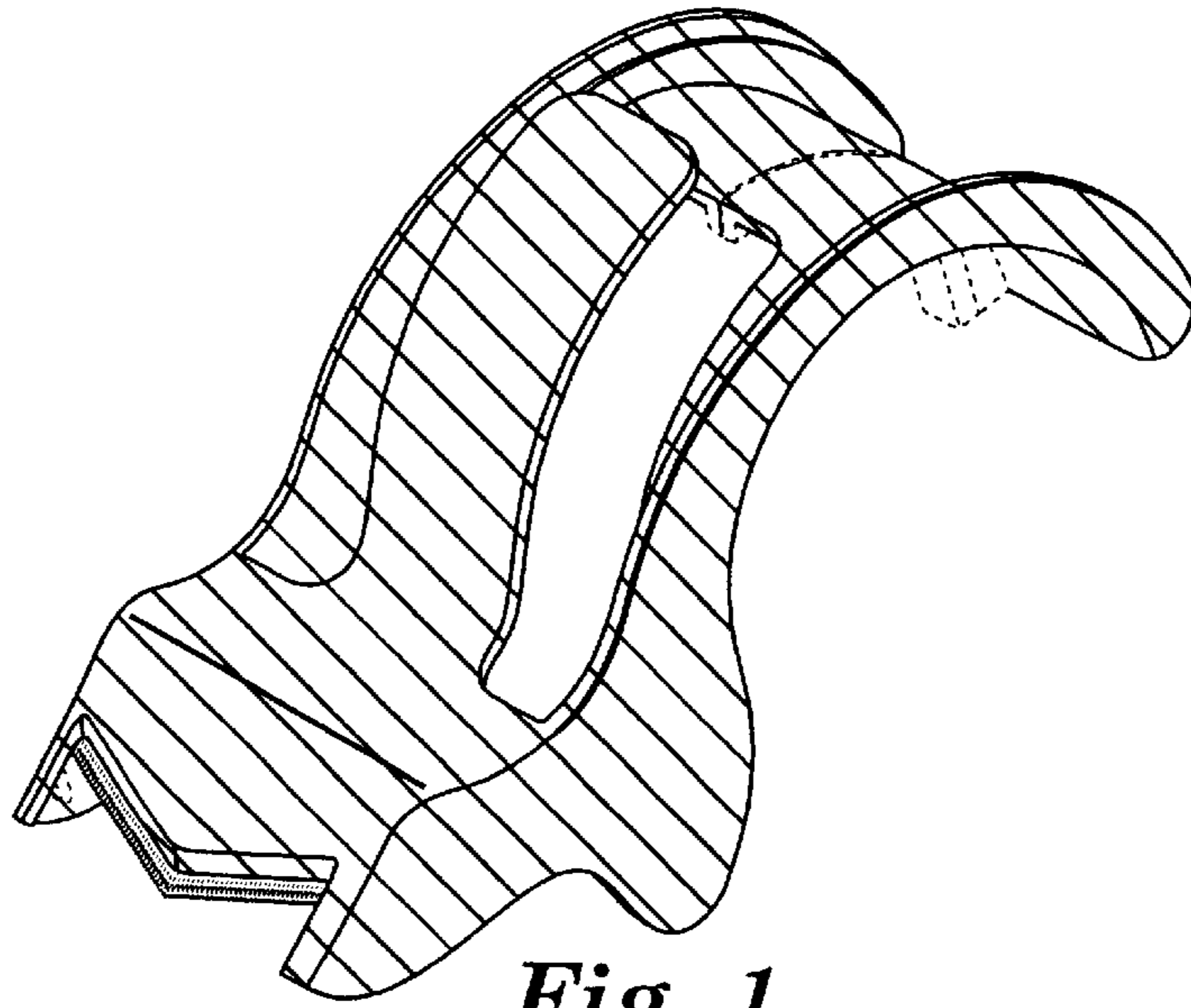
FIG. 3 is a top plan view of the tape dispenser of FIG. 1; FIG. 4 is a bottom plan view of the tape dispenser of FIG. 1;

FIG. 5 is a front view of the tape dispenser of FIG. 1; and, FIG. 6 is a rear view of the tape dispenser of FIG. 1.

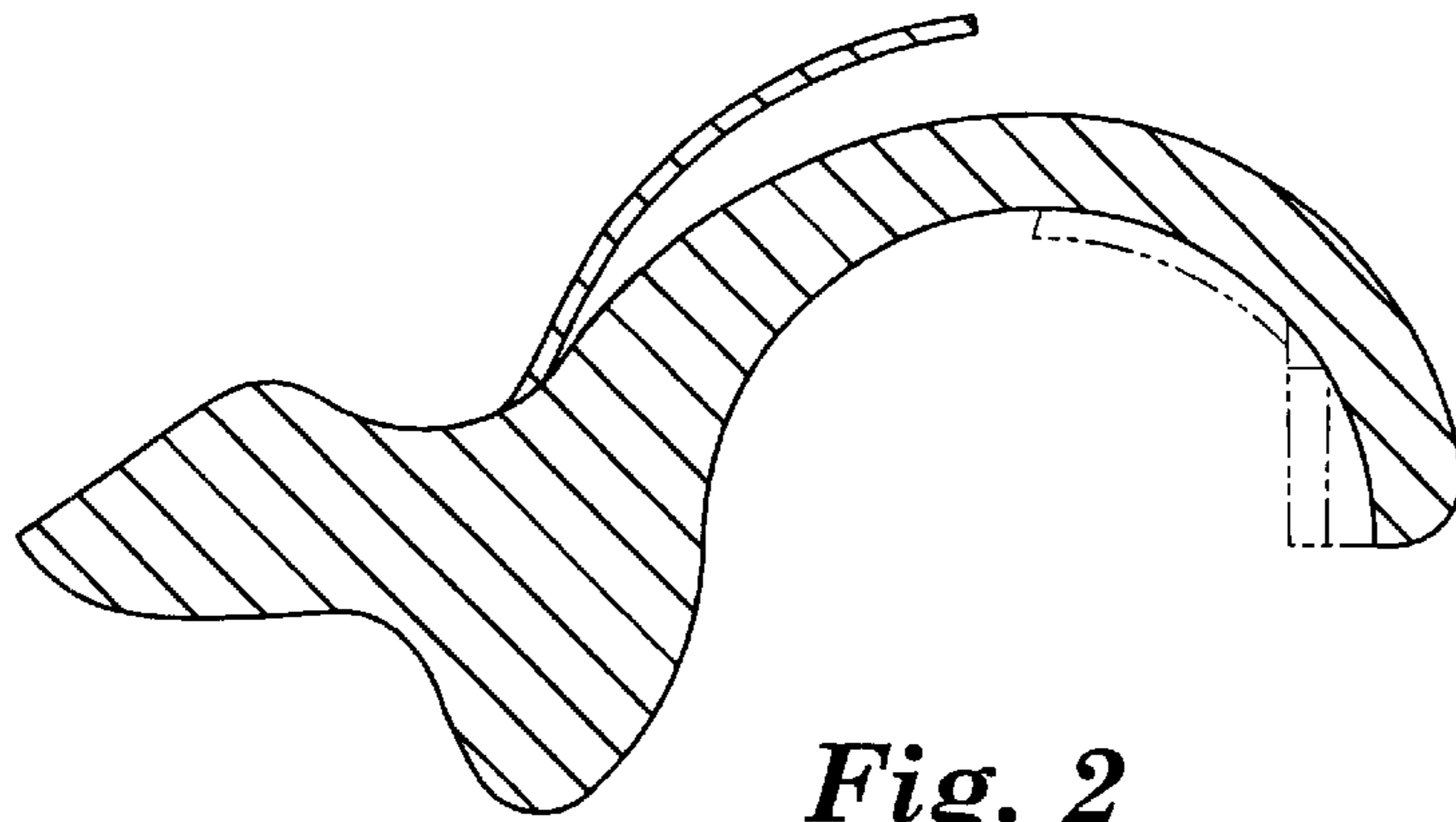
The structure depicted by means of broken lines in the figures has been shown for illustrative purposes only and forms no part of the claimed design.

**1 Claim, 2 Drawing Sheets**

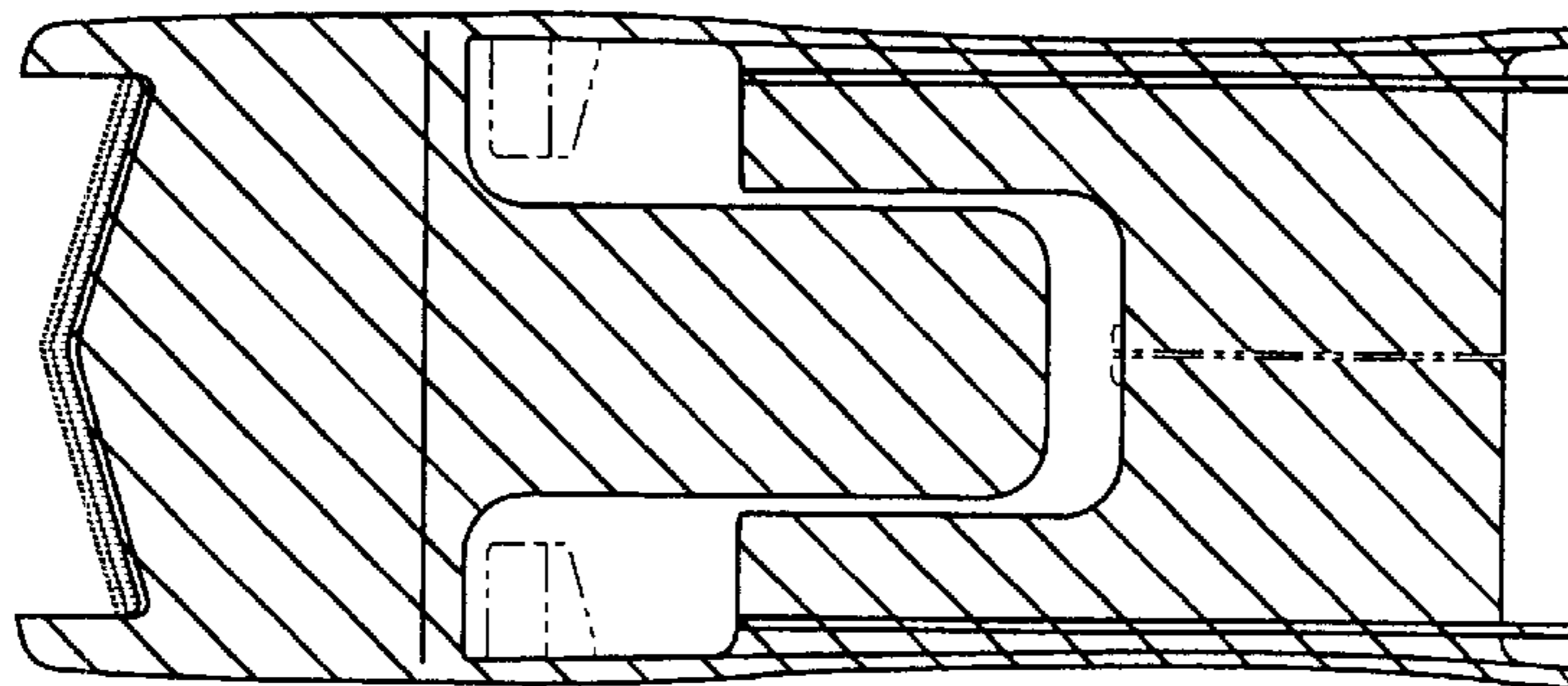




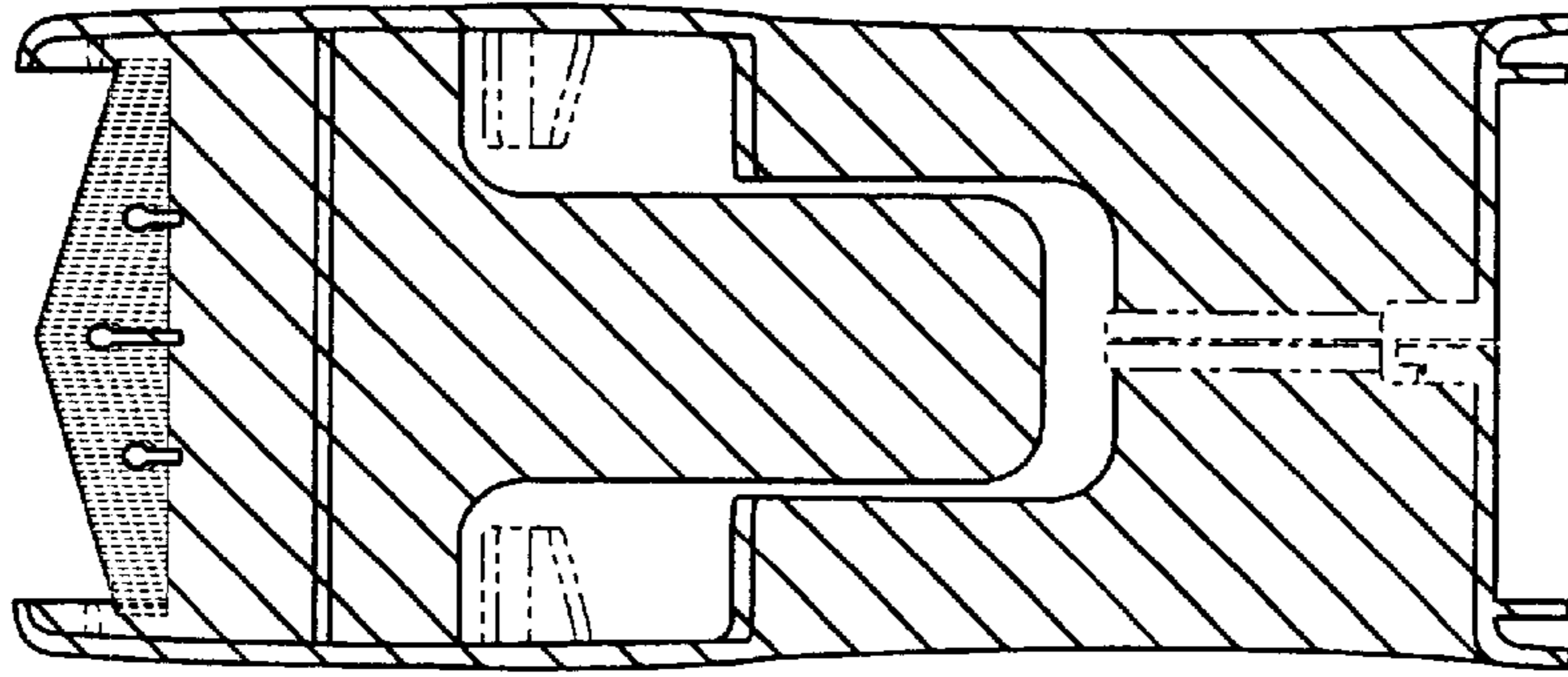
*Fig. 1*



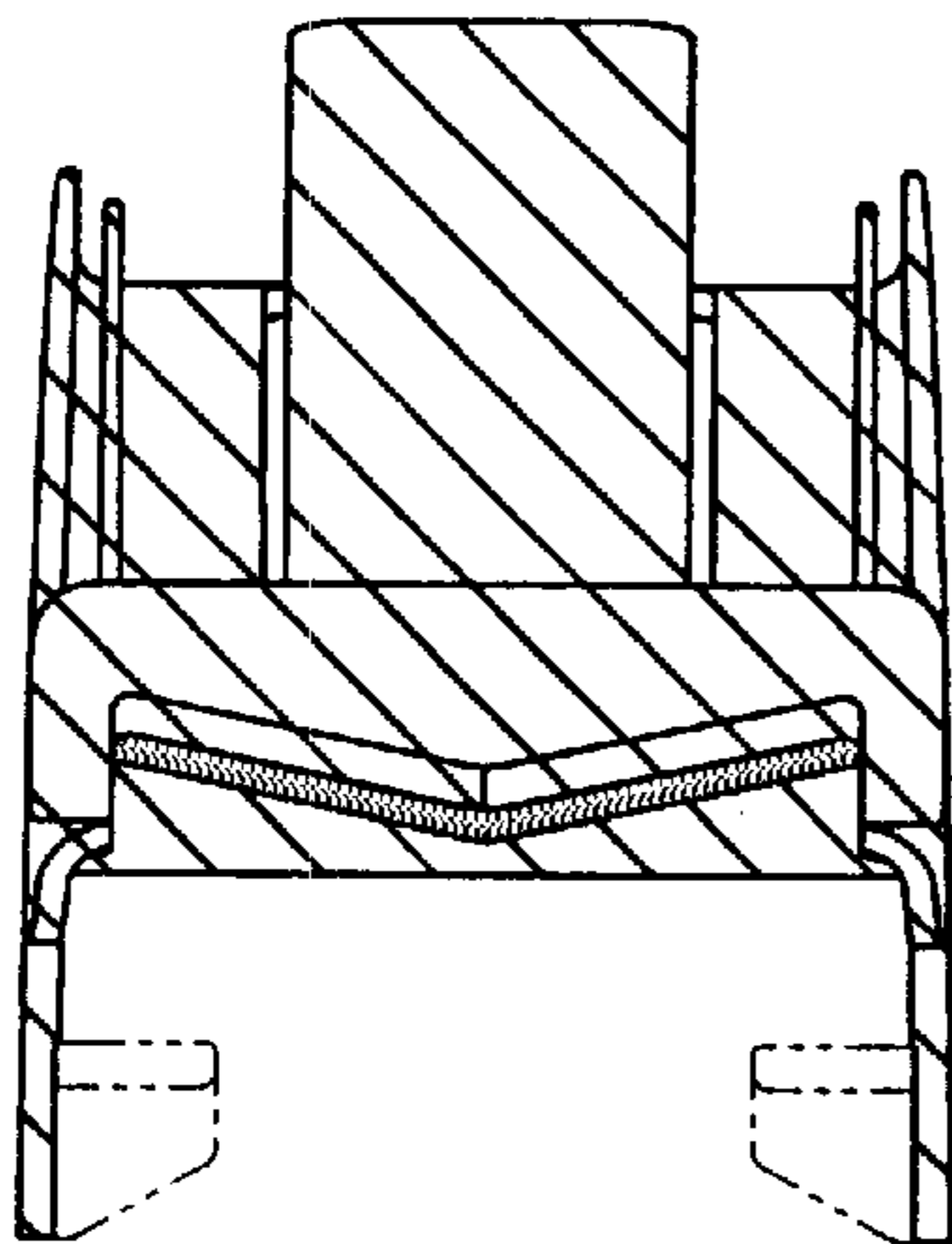
*Fig. 2*



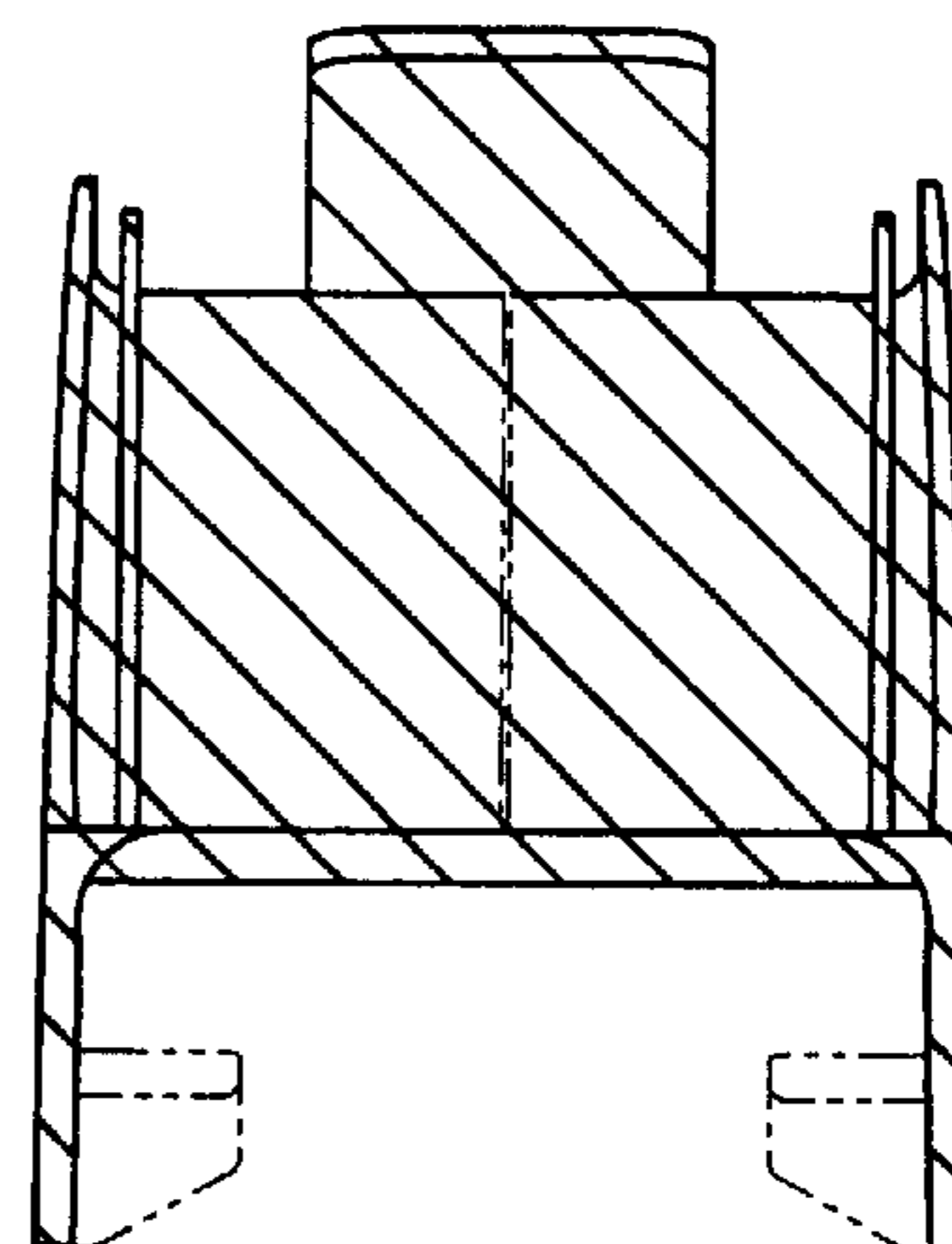
*Fig. 3*



*Fig. 4*



*Fig. 5*



*Fig. 6*