



US00D534584S

(12) **United States Design Patent**
Goldberg et al.

(10) **Patent No.: US D534,584 S**

(45) **Date of Patent: ** *Jan. 2, 2007**

(54) **IMAGED ELASTIC BOOKMARK**

(75) Inventors: **Seth Goldberg**, Oceanside, NY (US);
Bennett Kaye, Oceanside, NY (US)

(73) Assignee: **Grand Band Inc.**, Oceanside, NY (US)

(*) Notice: This patent is subject to a terminal disclaimer.

(**) Term: **14 Years**

(21) Appl. No.: **29/202,421**

(22) Filed: **Mar. 31, 2004**

(51) **LOC (8) Cl.** **19-99**

(52) **U.S. Cl.** **D19/34**

(58) **Field of Classification Search** D11/200;
D19/32, 34; 24/67 R, 67.9; 40/658, 666;
116/234, 235, 236, 237, 238, 239, 240; 281/42,
281/45

See application file for complete search history.

(56) **References Cited**

U.S. PATENT DOCUMENTS

308,942	A	*	12/1884	Yewell	281/37
2,282,939	A	*	5/1942	Clawson	40/775
2,716,390	A	*	8/1955	Goins	116/235
3,086,529	A	*	4/1963	Munz et al.	606/203
3,744,447	A	*	7/1973	Hemon	116/239
4,384,583	A	*	5/1983	Speelman et al.	606/203

D346,399	S	*	4/1994	Schad et al.	D19/34
5,636,868	A	*	6/1997	Ross, Jr.	281/42
6,105,573	A	*	8/2000	Delaplane et al.	128/200.26
D449,648	S	*	10/2001	Andler	D19/34

* cited by examiner

Primary Examiner—Elizabeth A. Albert

(74) *Attorney, Agent, or Firm*—Millen, White, Zelano & Branigan, P.C.

(57) **CLAIM**

The ornamental design for an imaged elastic bookmark, as shown and described.

DESCRIPTION

FIG. 1 is a perspective view of an imaged elastic bookmark having a slider with an imaged area thereon stretched around a book showing our new design;

FIG. 2 is another perspective view thereof, shown in a relaxed state without the book;

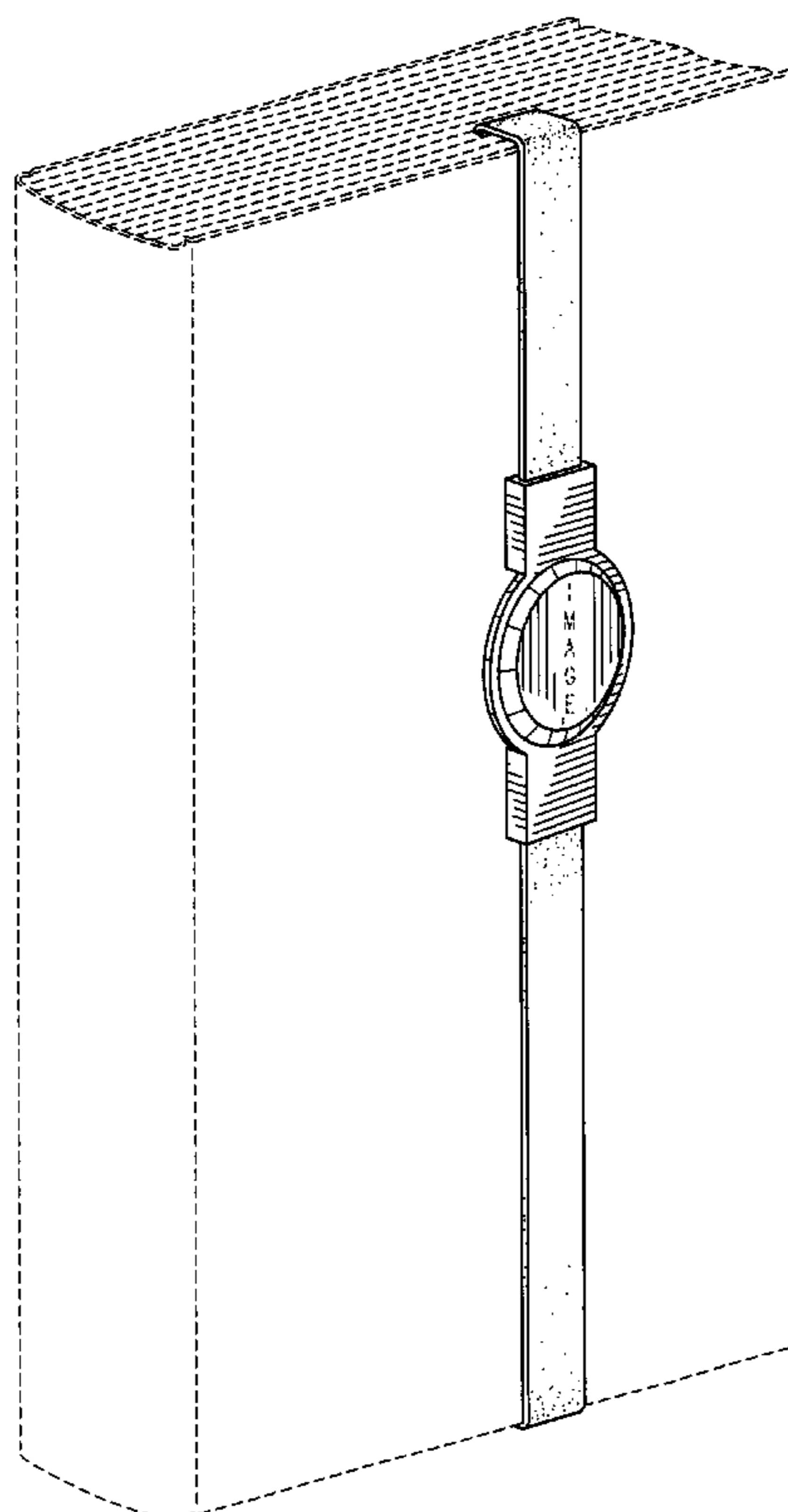
FIG. 3 is a rear perspective view of FIG. 2;

FIG. 4 is an enlarged end view of the slider shown in FIGS. 1–3 without the elastic band, the other end view being identical; and,

FIG. 5 is an enlarged side view of the slider of FIG. 4, the other side view being identical.

The broken lines showing environment in the drawings are for information purposes only and form no part of the claimed design.

1 Claim, 3 Drawing Sheets



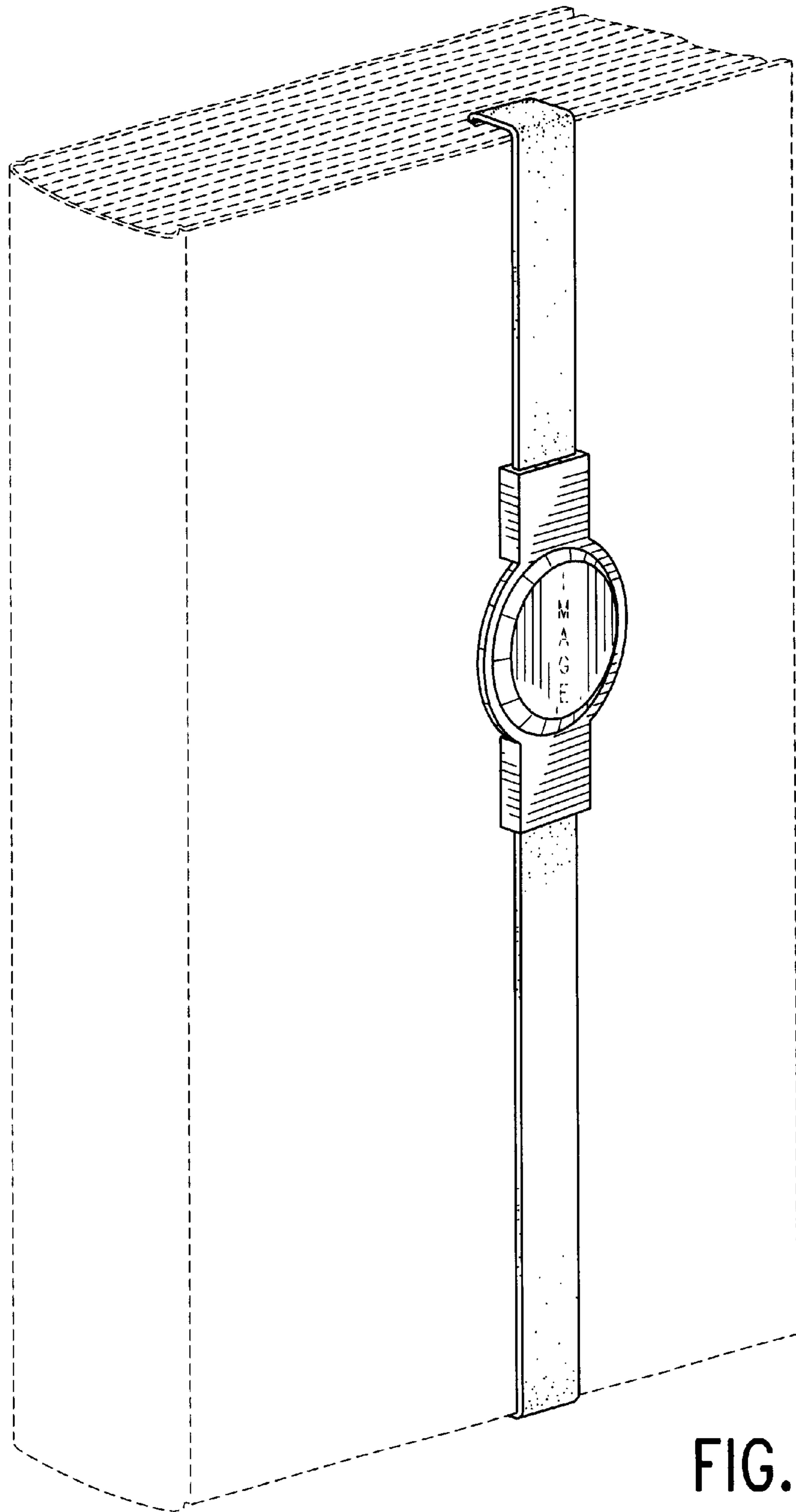


FIG. 1

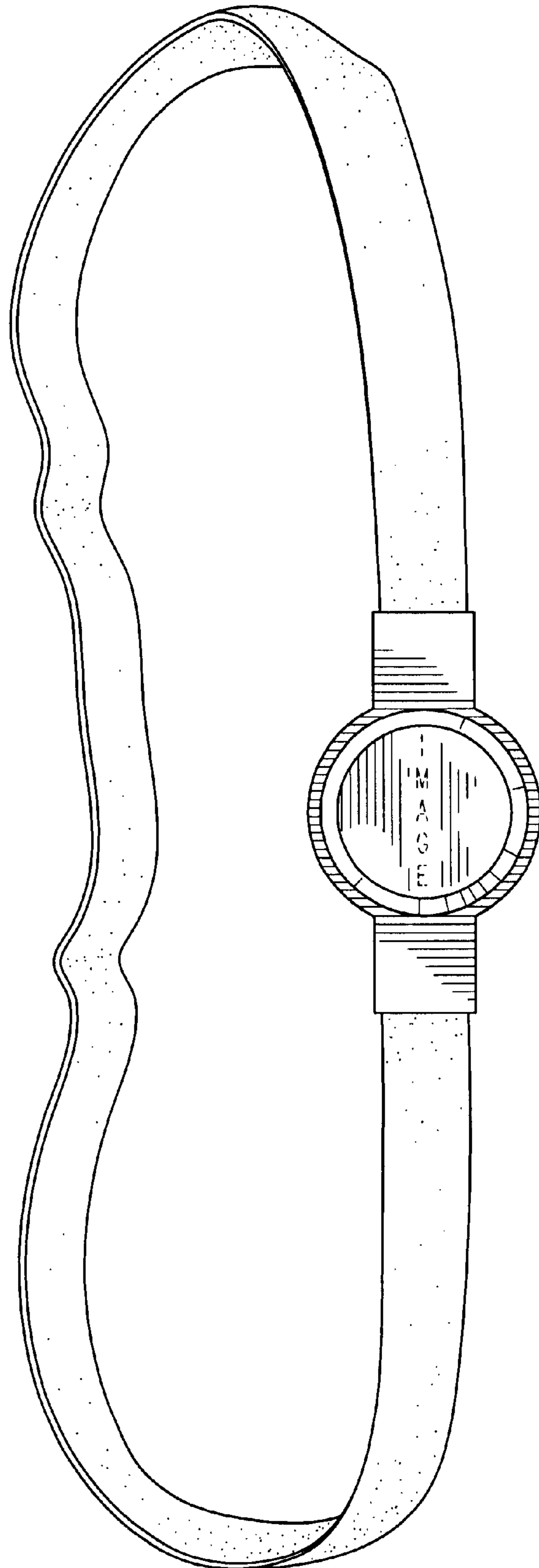


FIG.2

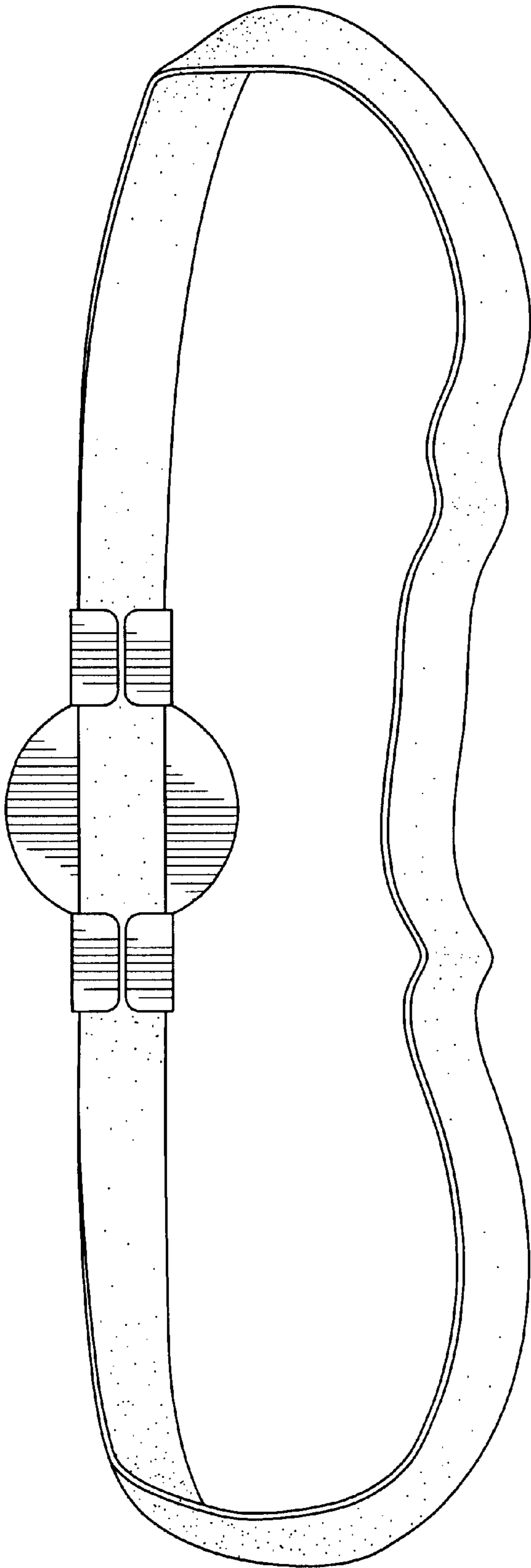


FIG. 3

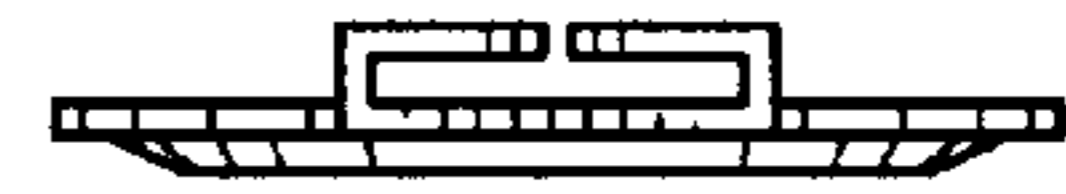


FIG. 4

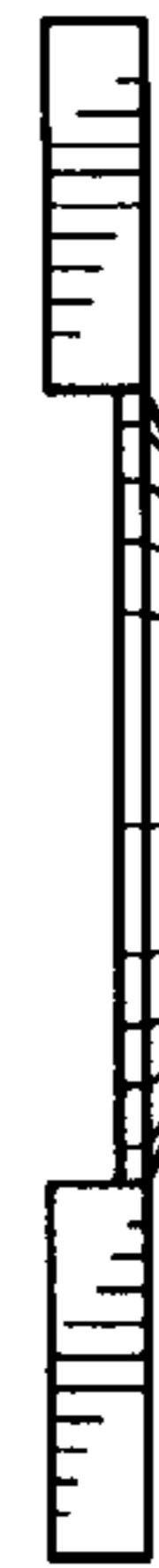


FIG. 5