



US00D534581S

(12) **United States Design Patent** (10) **Patent No.:** **US D534,581 S**
Ikezaki et al. (45) **Date of Patent:** **** Jan. 2, 2007**

(54) **INK CARTRIDGE**

(75) Inventors: **Yoshiyuki Ikezaki**, Nagoya (JP);
Katsuya Watarai, Ena (JP)

(73) Assignee: **Brother Industries, Ltd.**, Nagoya (JP)

(**) Term: **14 Years**

(21) Appl. No.: **29/232,197**

(22) Filed: **Jun. 16, 2005**

(30) **Foreign Application Priority Data**

Dec. 24, 2004 (JP) 2004-039676

(51) **LOC (8) Cl.** **18-02**

(52) **U.S. Cl.** **D18/56**

(58) **Field of Classification Search** D18/12,
D18/19, 43, 44, 50, 56; 347/85, 86, 171;
400/691-694

See application file for complete search history.

(56) **References Cited**

U.S. PATENT DOCUMENTS

D280,913 S * 10/1985 Nibley et al. D18/56
D348,477 S * 7/1994 Ujita et al. D18/56
D419,592 S * 1/2000 Nakazawa et al. D18/56
D447,169 S * 8/2001 Okubo et al. D18/56
D464,082 S * 10/2002 Yamada et al. D18/56
D464,372 S * 10/2002 Yamada et al. D18/56

D468,347 S * 1/2003 Yamada et al. D18/56
D468,768 S * 1/2003 Yamada et al. D18/56
D477,020 S * 7/2003 Seino D18/56
D489,757 S * 5/2004 Matsumoto D18/56

OTHER PUBLICATIONS

U.S. Appl. No. 29/203,656, filed Apr. 19, 2004, Watarai.
U.S. Appl. No. 29/203,657, filed Apr. 19, 2004, Watarai.

* cited by examiner

Primary Examiner—Louis S. Zarfes

Assistant Examiner—Anhdao Doan

(74) *Attorney, Agent, or Firm*—Oliff & Berridge, PLC

(57) **CLAIM**

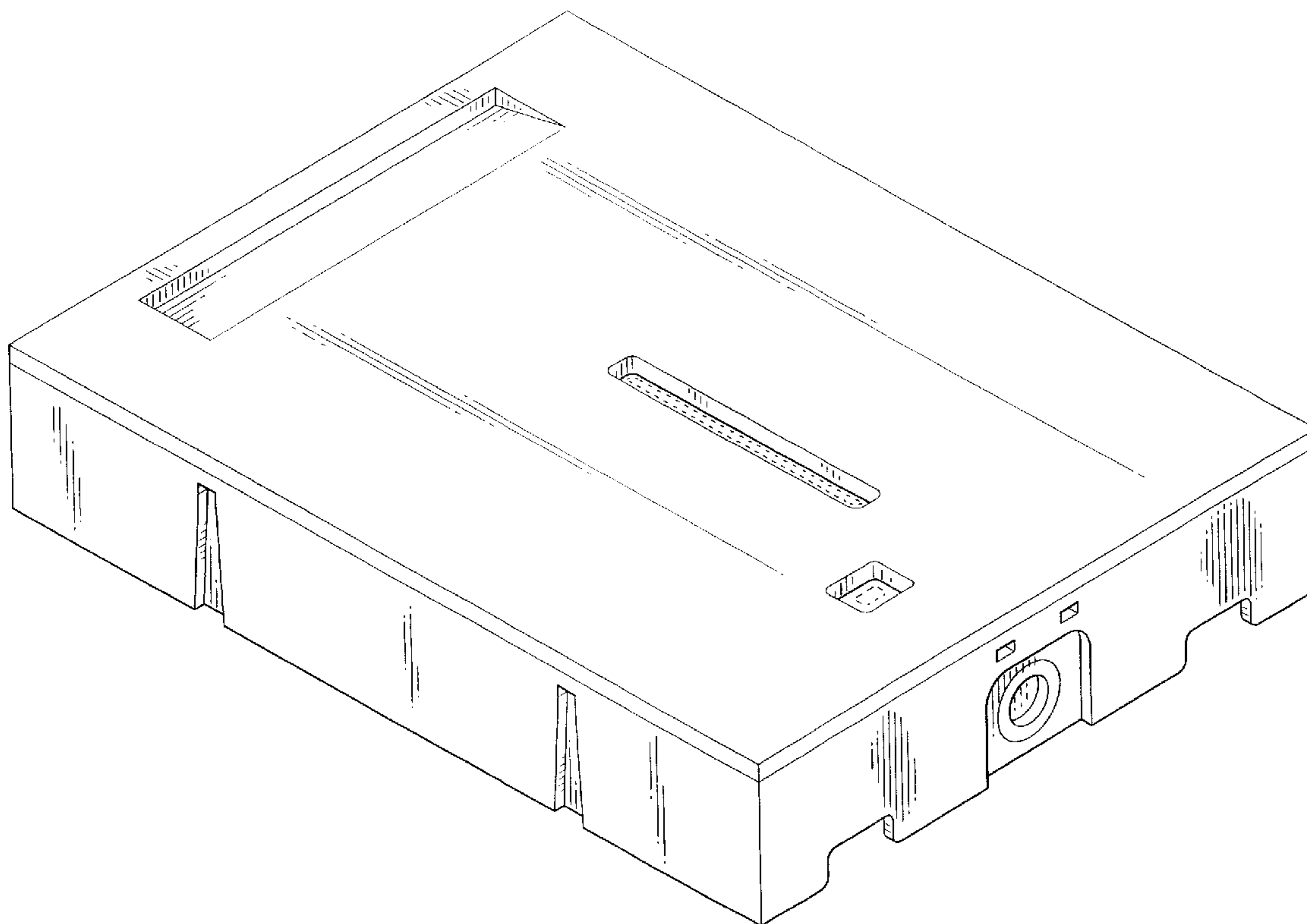
The ornamental design for an ink cartridge, as shown and described.

DESCRIPTION

FIG. 1 is an enlarged perspective view of an ink cartridge;
FIG. 2 is a front view thereof;
FIG. 3 is a top view thereof;
FIG. 4 is a right-side view thereof;
FIG. 5 is a left-side view thereof;
FIG. 6 is a rear view thereof; and,
FIG. 7 is a bottom view.

The broken lines are for illustrative purposes only and form no part of the claimed design.

1 Claim, 4 Drawing Sheets



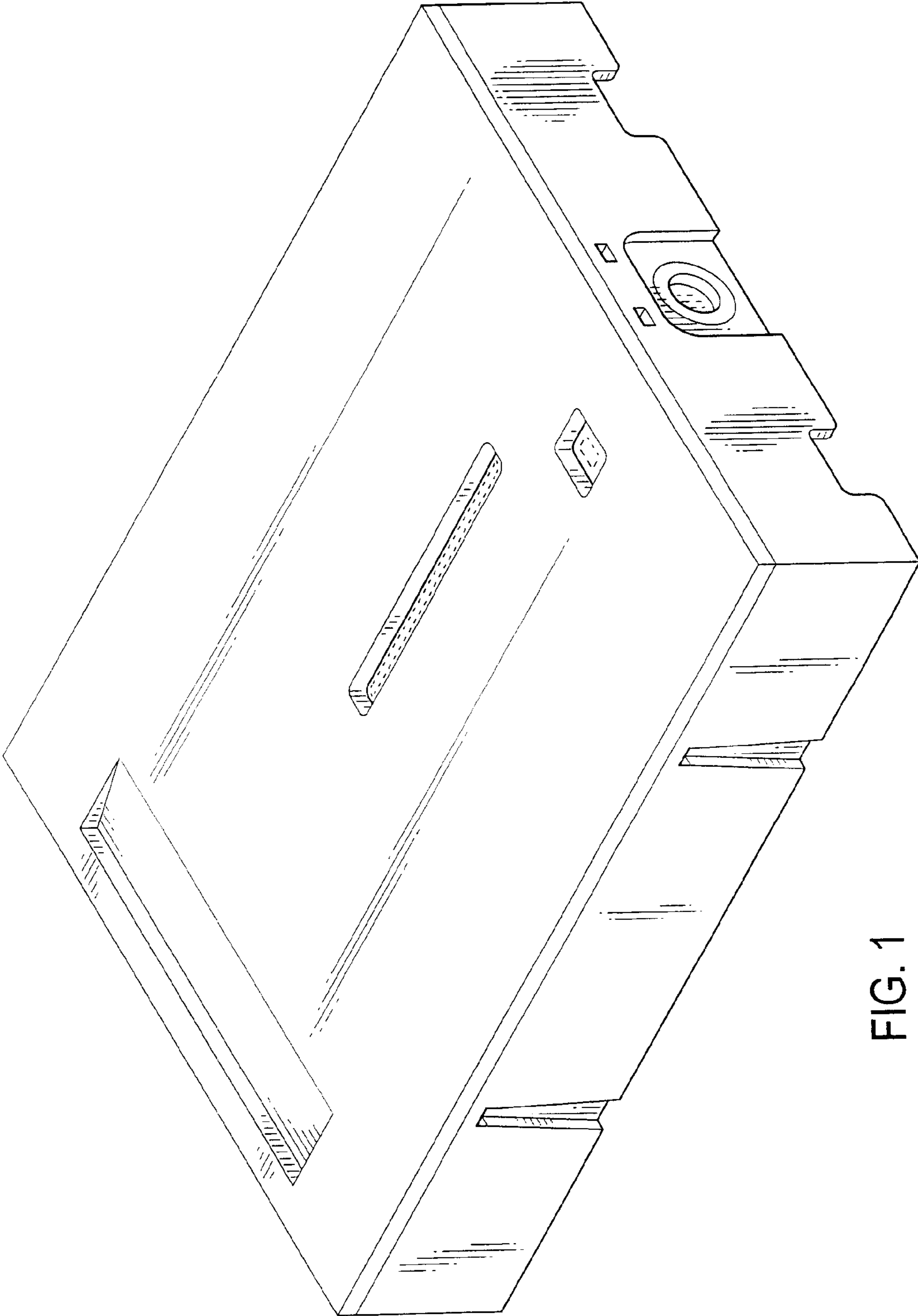


FIG. 1

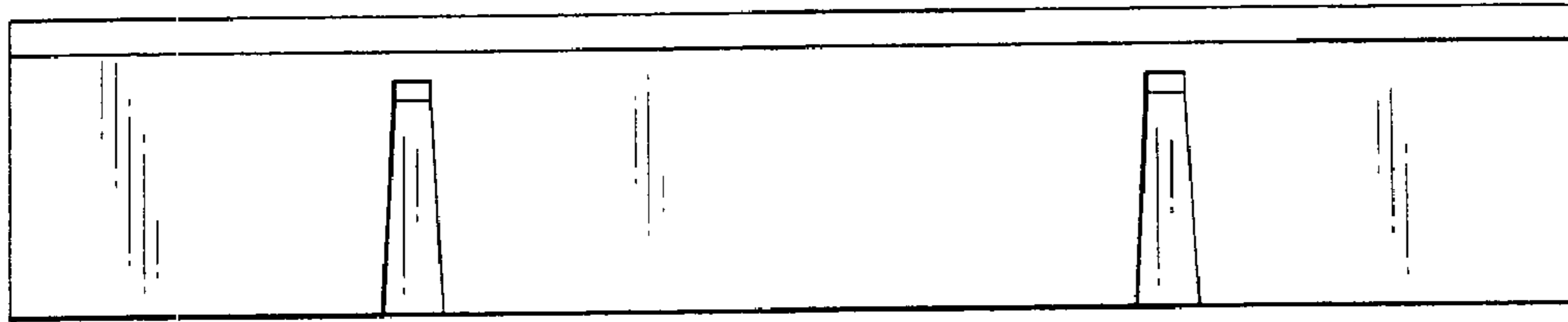


FIG. 2

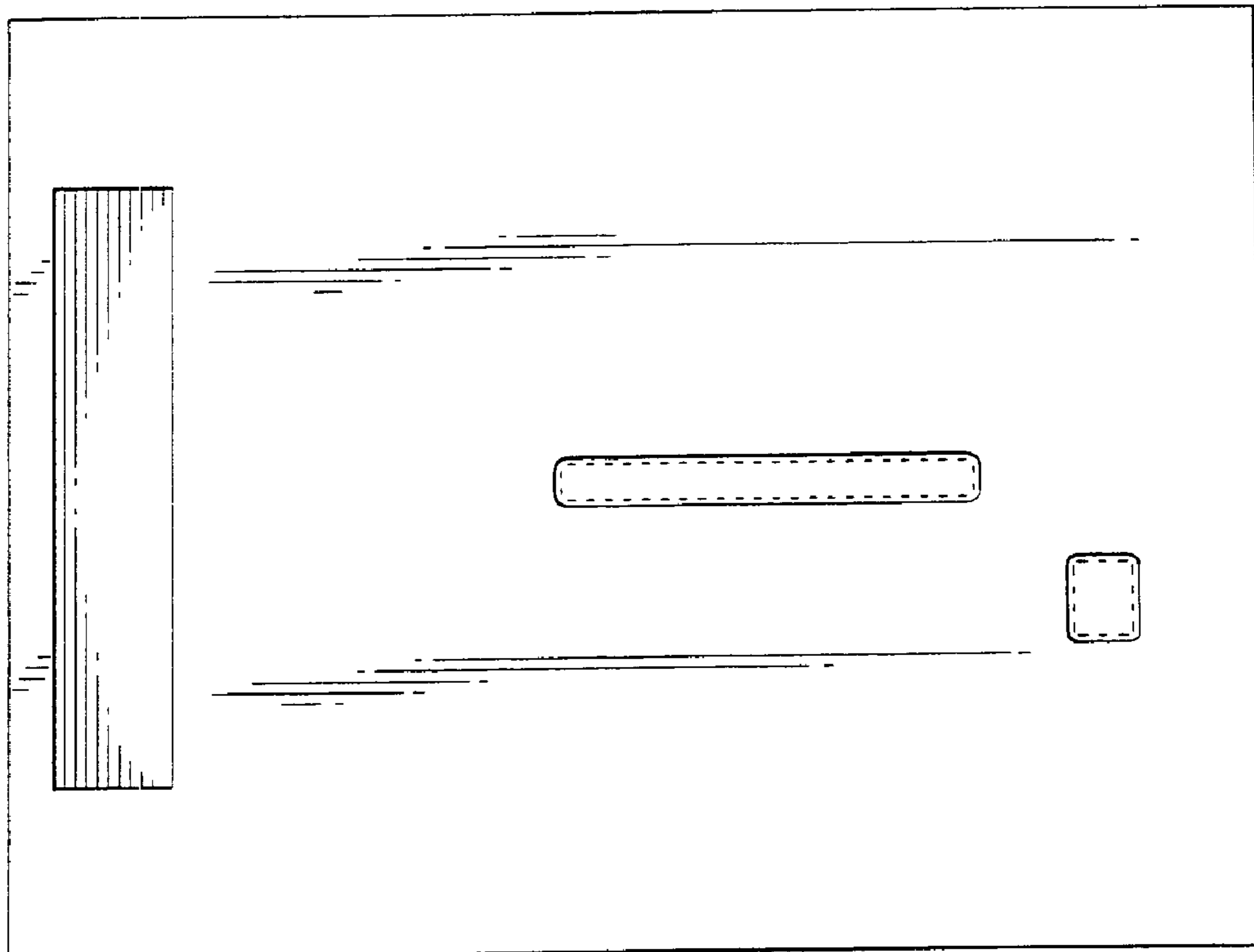


FIG. 3

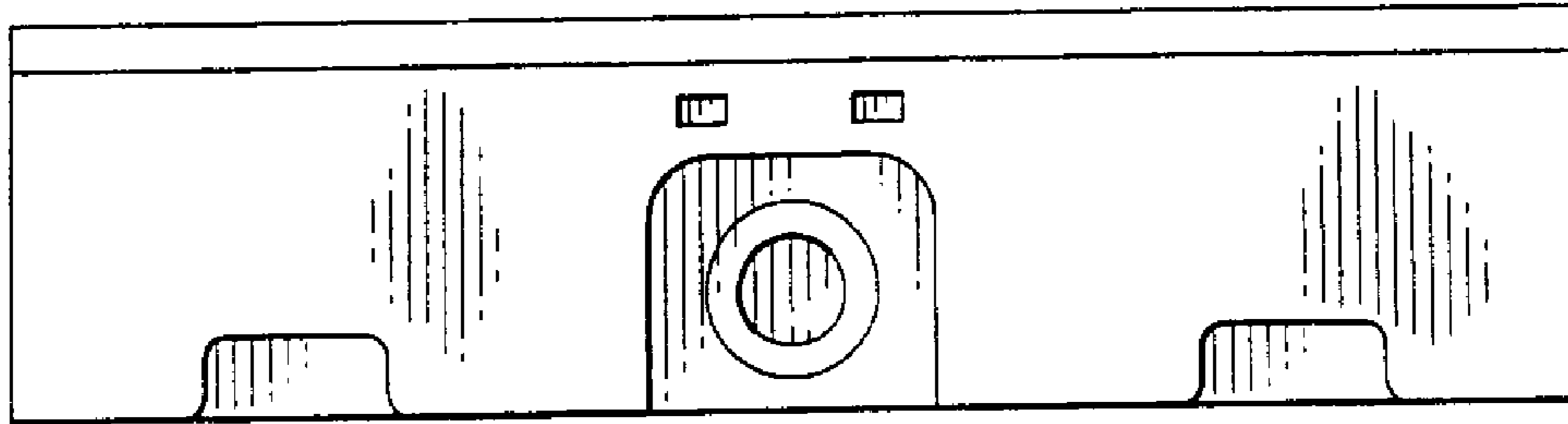


FIG. 4

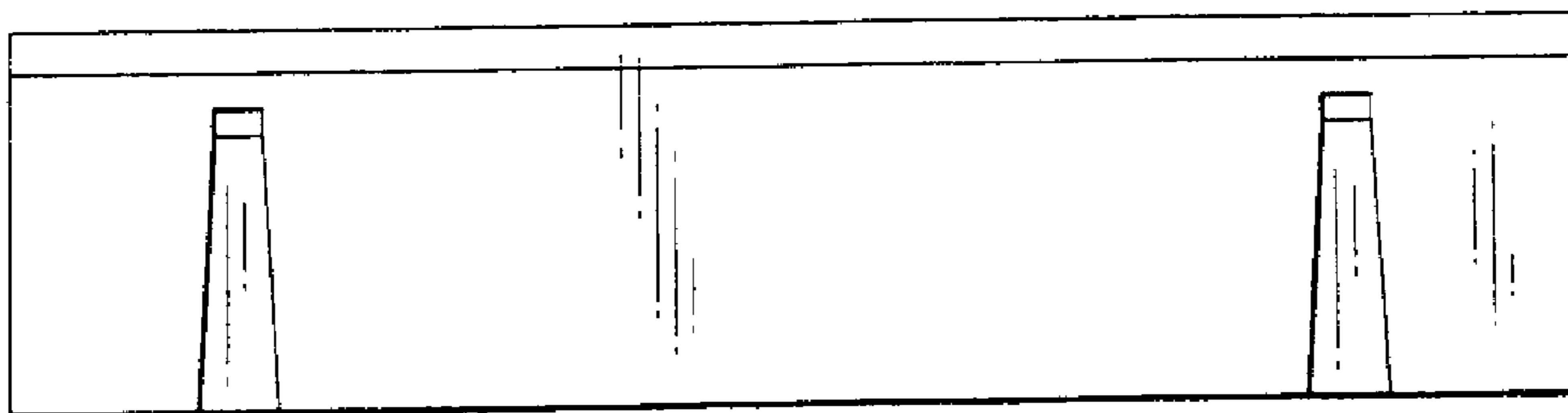


FIG. 5

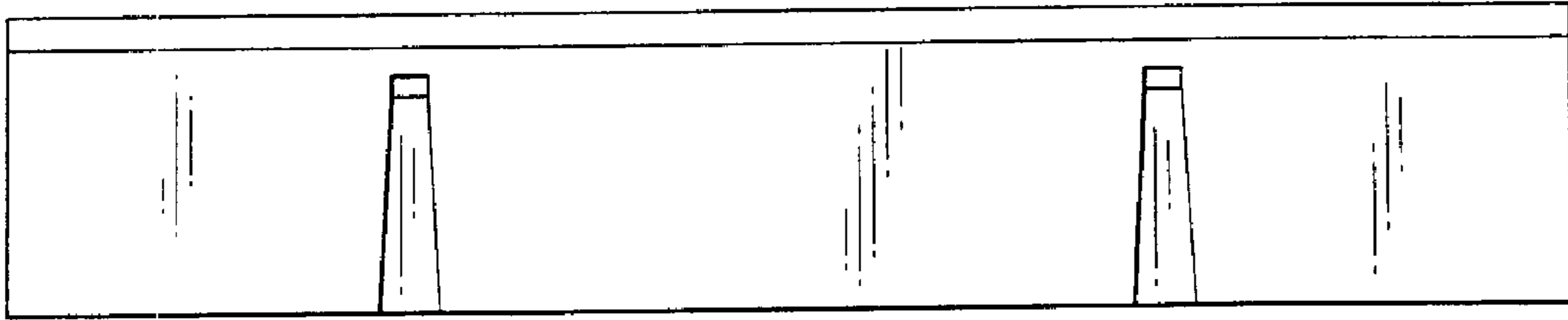


FIG. 6

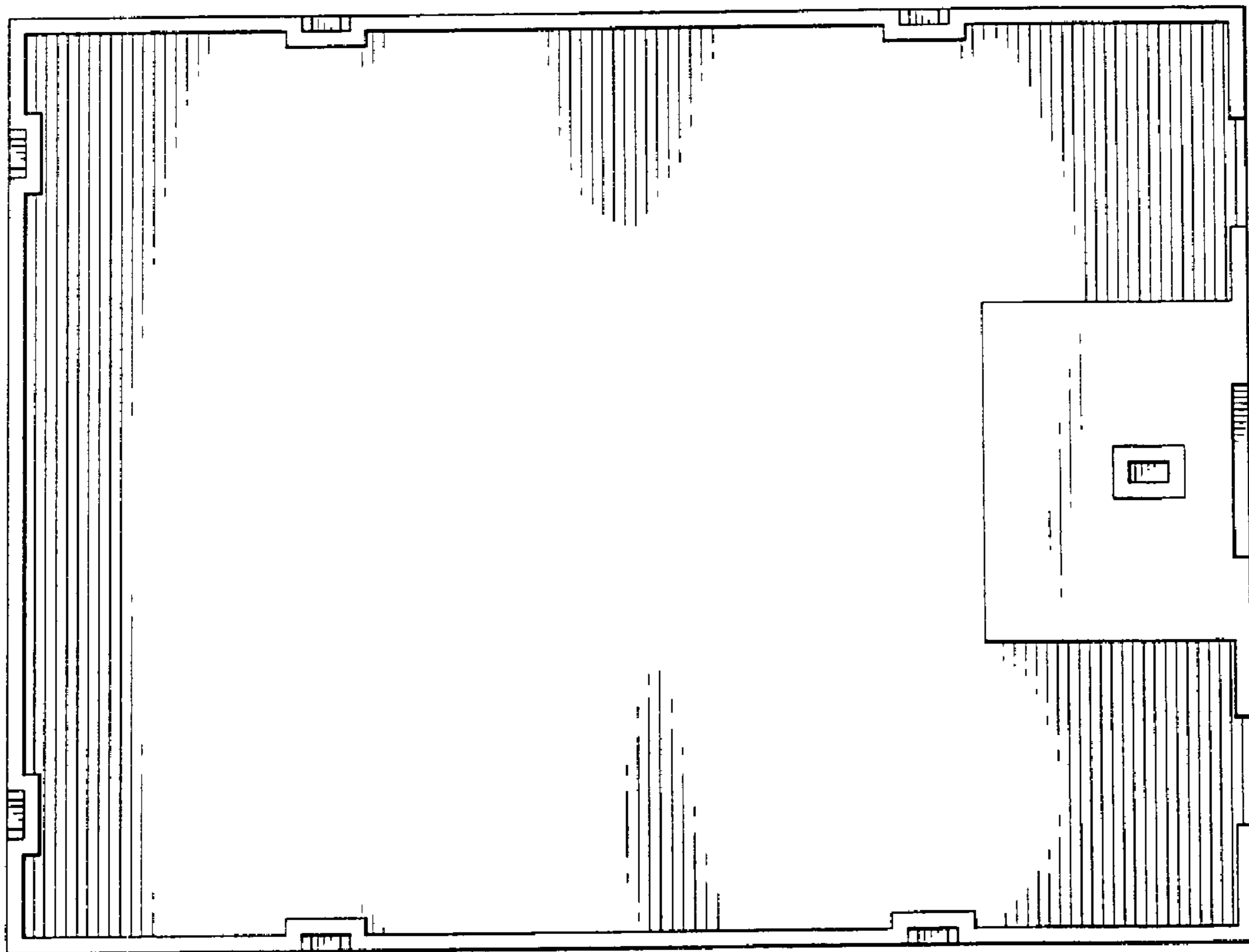


FIG. 7