



US00D534579S

(12) **United States Design Patent**
Yamaguchi

(10) **Patent No.:** **US D534,579 S**

(45) **Date of Patent:** **** Jan. 2, 2007**

(54) **PRINTER**

(75) Inventor: **Yasutake Yamaguchi**, Chiryu (JP)

(73) Assignee: **Brother Industries, Ltd.**, Nagoya (JP)

(**) Term: **14 Years**

(21) Appl. No.: **29/238,419**

(22) Filed: **Sep. 16, 2005**

(30) **Foreign Application Priority Data**

Apr. 11, 2005 (JP) 2005-010801

(51) **LOC (8) Cl.** **14-02**

(52) **U.S. Cl.** **D18/55**

(58) **Field of Classification Search** D18/14,
D18/19, 36-39, 50, 53, 54, 54.1, 55; D14/420-425,
D14/462-470; D16/246-248; 399/107; 400/613,
400/613.1-613.4, 690.1-690.4, 691-694
See application file for complete search history.

(56) **References Cited**

U.S. PATENT DOCUMENTS

D456,834 S * 5/2002 Fetherolf et al. D18/36

D504,439 S * 4/2005 Katayama D14/467
D512,455 S * 12/2005 Hwang et al. D18/49
D518,513 S * 4/2006 Sugitani D18/50
D521,061 S * 5/2006 Katayama et al. D18/55
D523,071 S * 6/2006 Katayama et al. D18/50
D523,072 S * 6/2006 Lee et al. D18/50
D525,294 S * 7/2006 Katayama et al. D18/54

* cited by examiner

Primary Examiner—Cathy Anne MacCormac

(74) *Attorney, Agent, or Firm*—Oliff & Berridge, PLC

(57) **CLAIM**

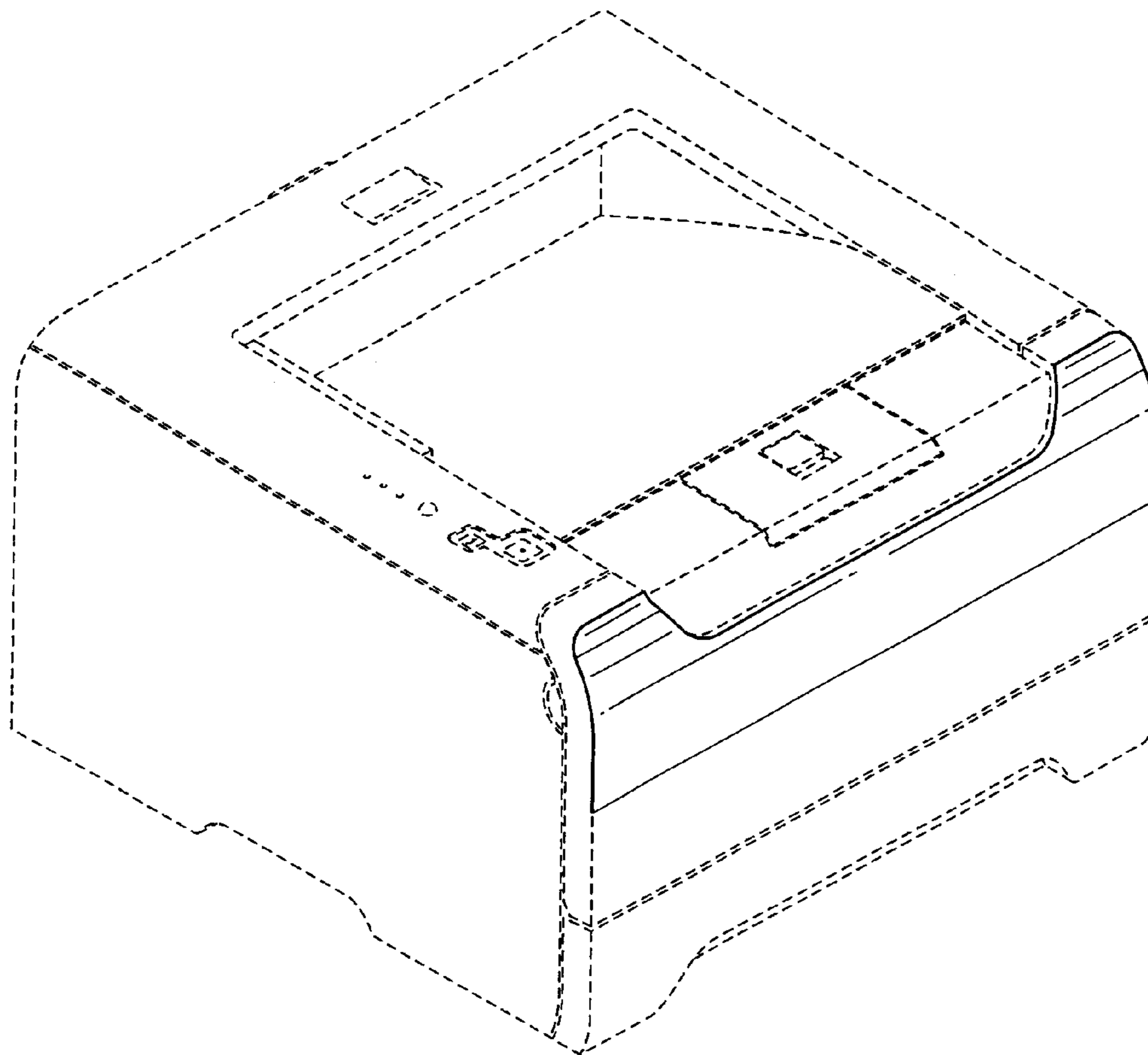
The ornamental design for a printer, as shown and described.

DESCRIPTION

FIG. 1 is a perspective view of a printer;
FIG. 2 is a front view thereof;
FIG. 3 is a top view thereof;
FIG. 4 is a right-side view thereof; and,
FIG. 5 is a left-side view thereof.

The broken line showing is for illustrative purposes only and forms no part of the claimed design.

1 Claim, 3 Drawing Sheets



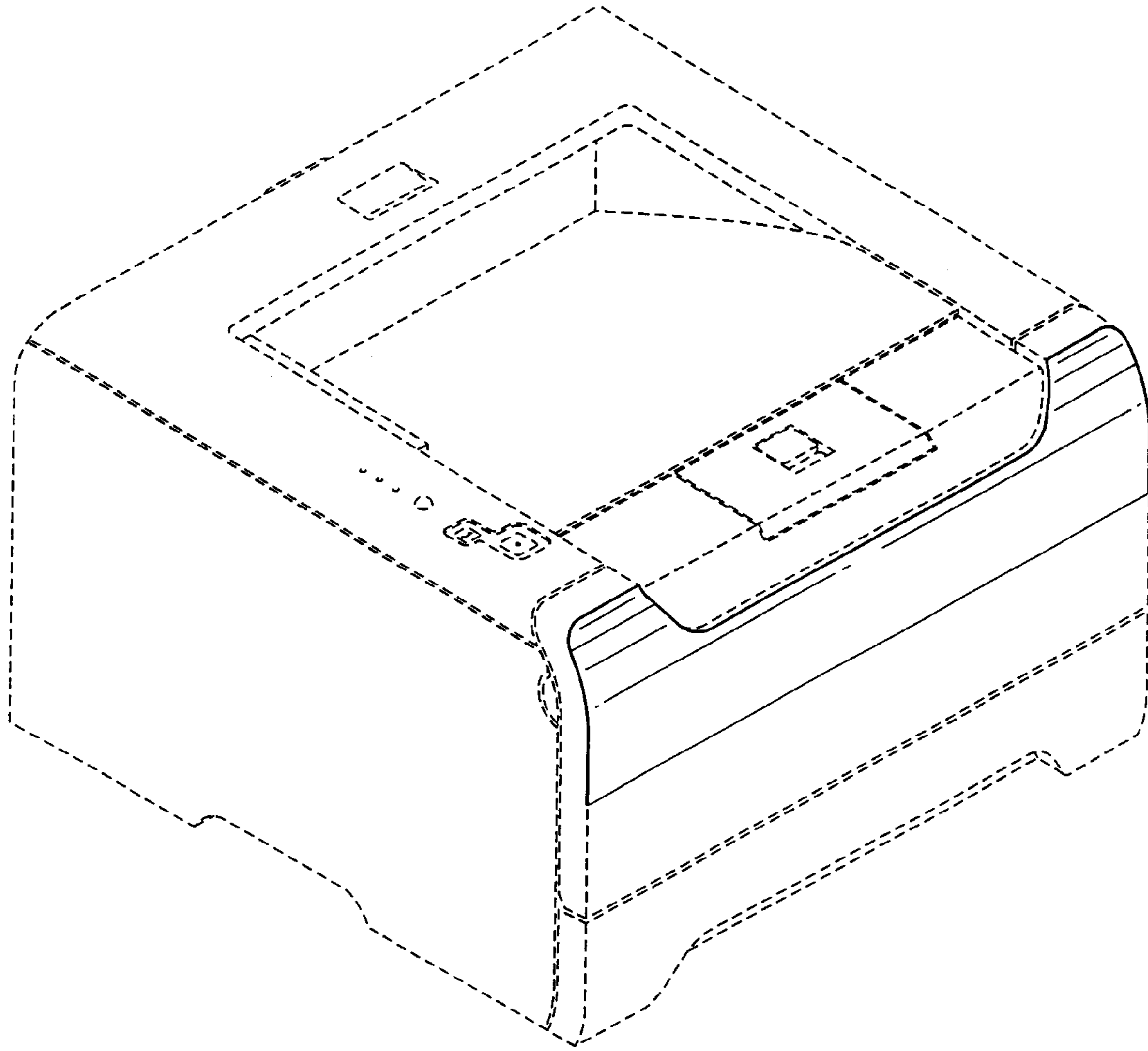


FIG. 1

FIG. 2

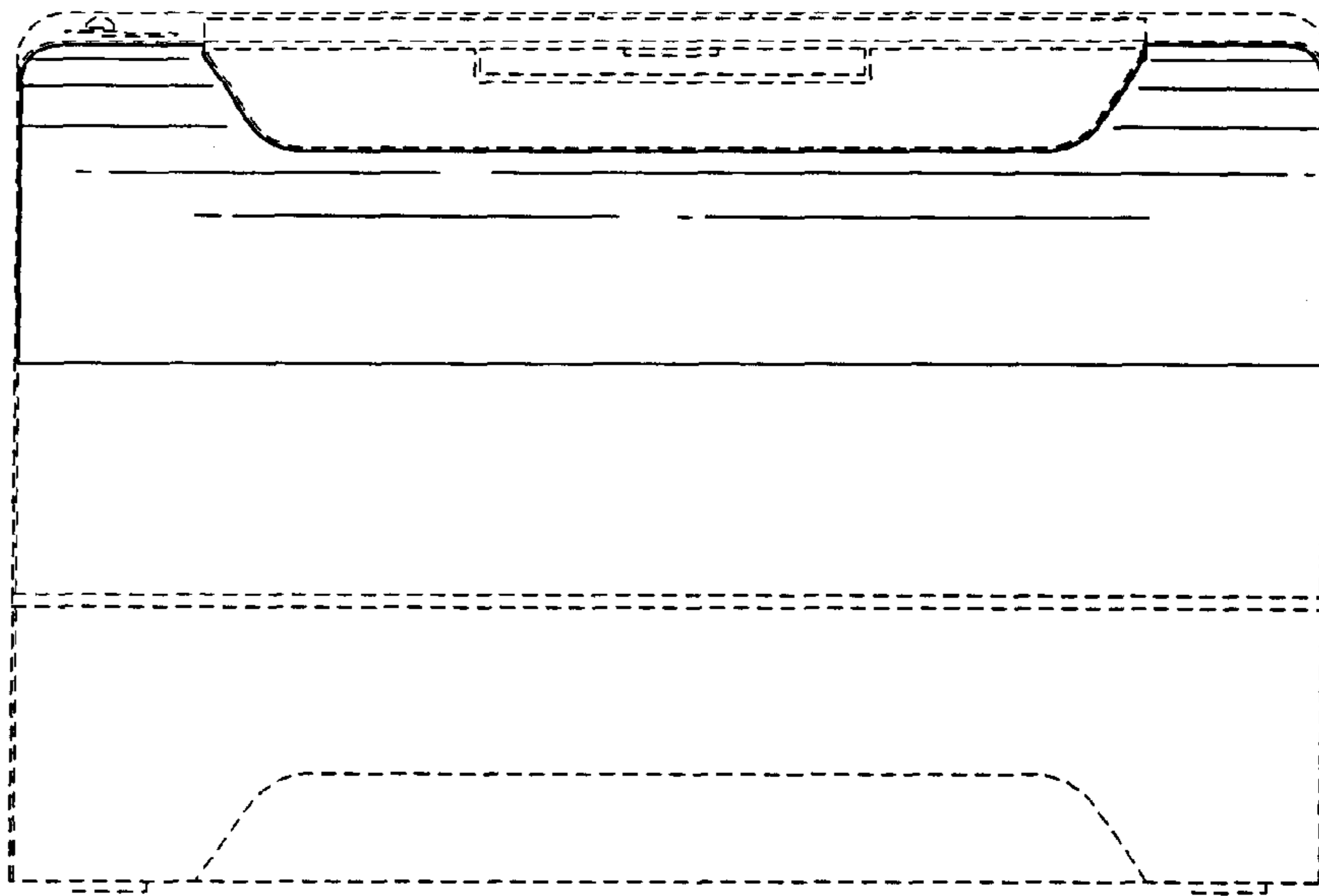
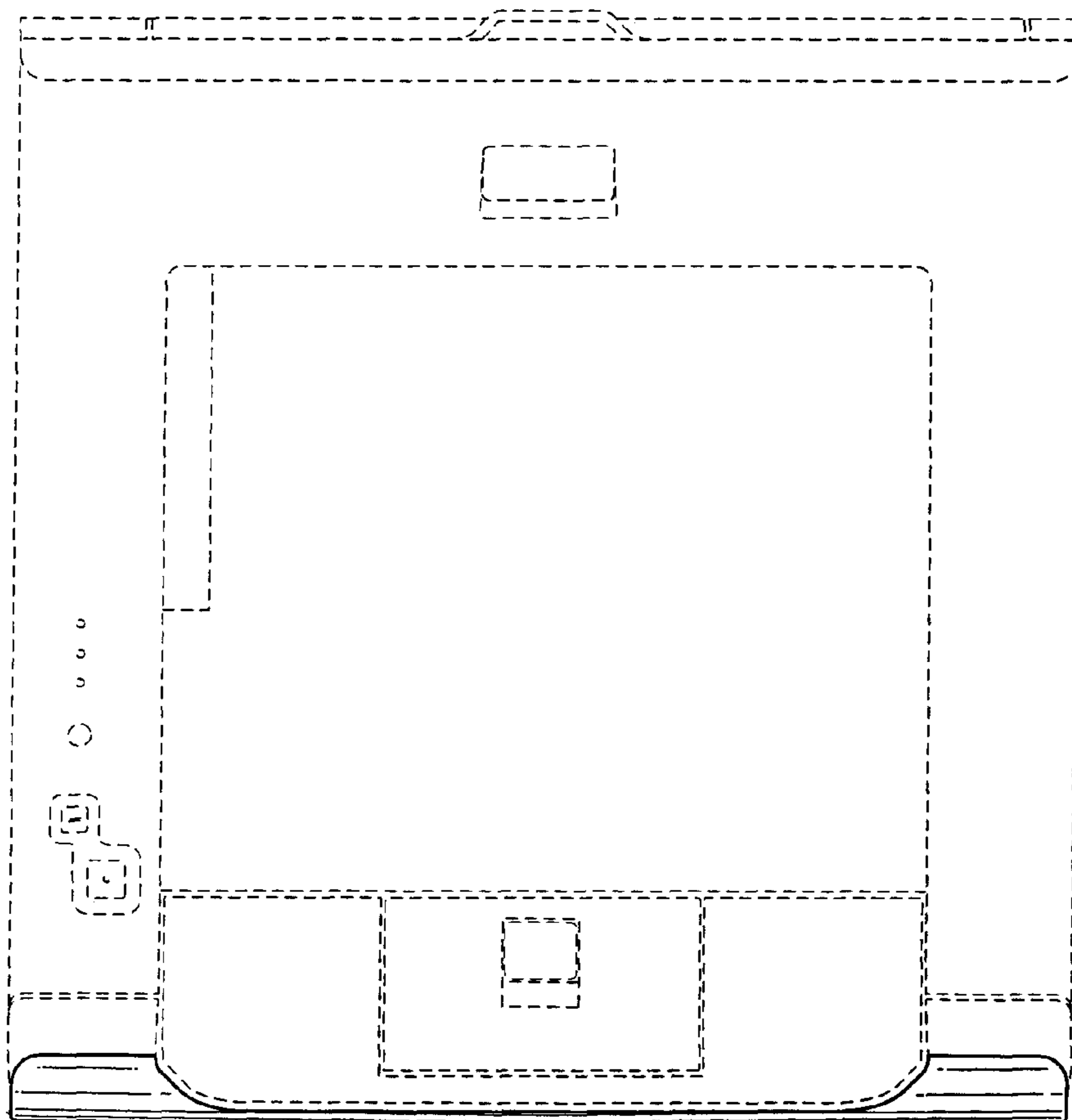


FIG. 3



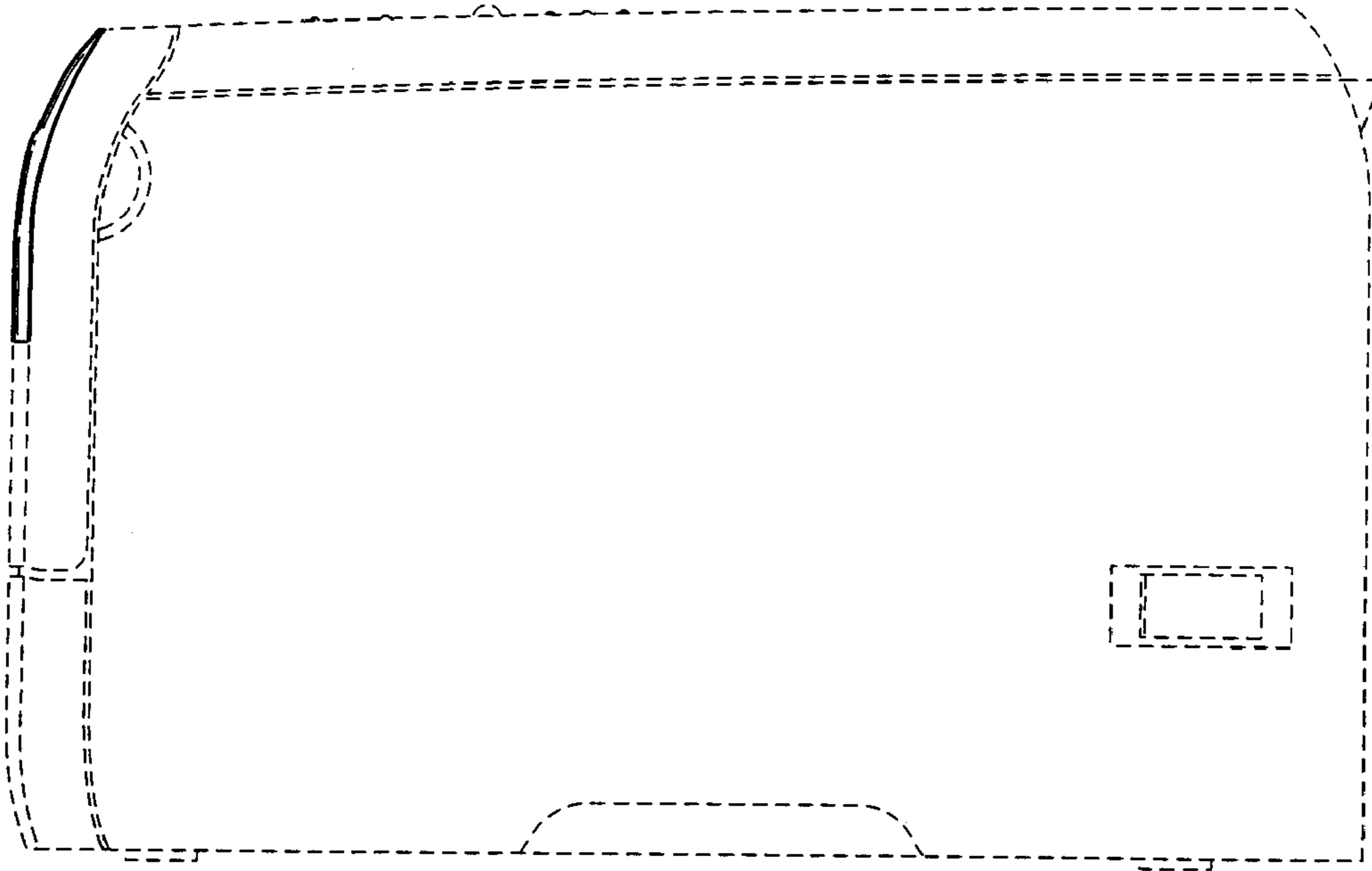


FIG. 4

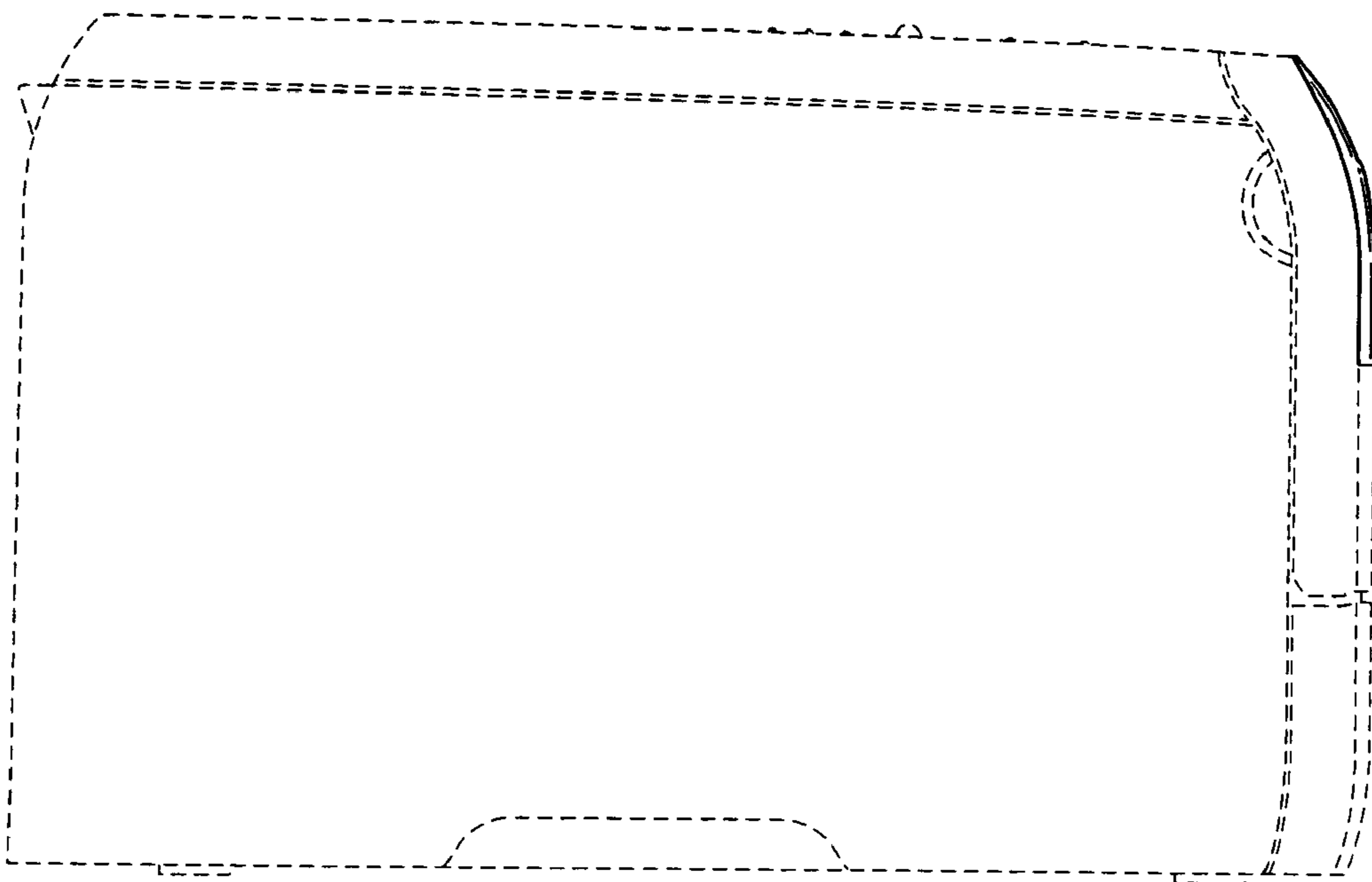


FIG. 5