



US00D534578S

(12) **United States Design Patent**
Katayama et al.

(10) **Patent No.:** **US D534,578 S**

(45) **Date of Patent:** **** Jan. 2, 2007**

(54) **PRINTER**

(75) Inventors: **Shigeharu Katayama**, Kakamigahara (JP); **Toshiya Inada**, Nagoya (JP)

(73) Assignee: **Brother Industries, Ltd.**, Nagoya (JP)

(**) Term: **14 Years**

(21) Appl. No.: **29/218,081**

(22) Filed: **Nov. 29, 2004**

(30) **Foreign Application Priority Data**

Jul. 15, 2004 (JP) 2004-021456

(51) **LOC (8) Cl.** **14-02**

(52) **U.S. Cl.** **D18/55**; D18/36

(58) **Field of Classification Search** D18/36-39, D18/50, 54, 54.1, 55; D14/420-425, 462-470; 400/613, 613.1-613.4, 690.1-690.4, 691-694
See application file for complete search history.

(56) **References Cited**

U.S. PATENT DOCUMENTS

D350,765 S * 9/1994 Hiroki et al. D18/36

D390,256 S * 2/1998 Shibata D18/39
D436,369 S * 1/2001 Sasaki et al. D18/39
D456,834 S * 5/2002 Fetherolf et al. D18/36
D501,667 S * 2/2005 Ishigami et al. D18/50
D502,500 S * 3/2005 Hoshiya et al. D18/50

* cited by examiner

Primary Examiner—Cathy Anne MacCormac

(74) *Attorney, Agent, or Firm*—Oliff & Berridge, PLC

(57) **CLAIM**

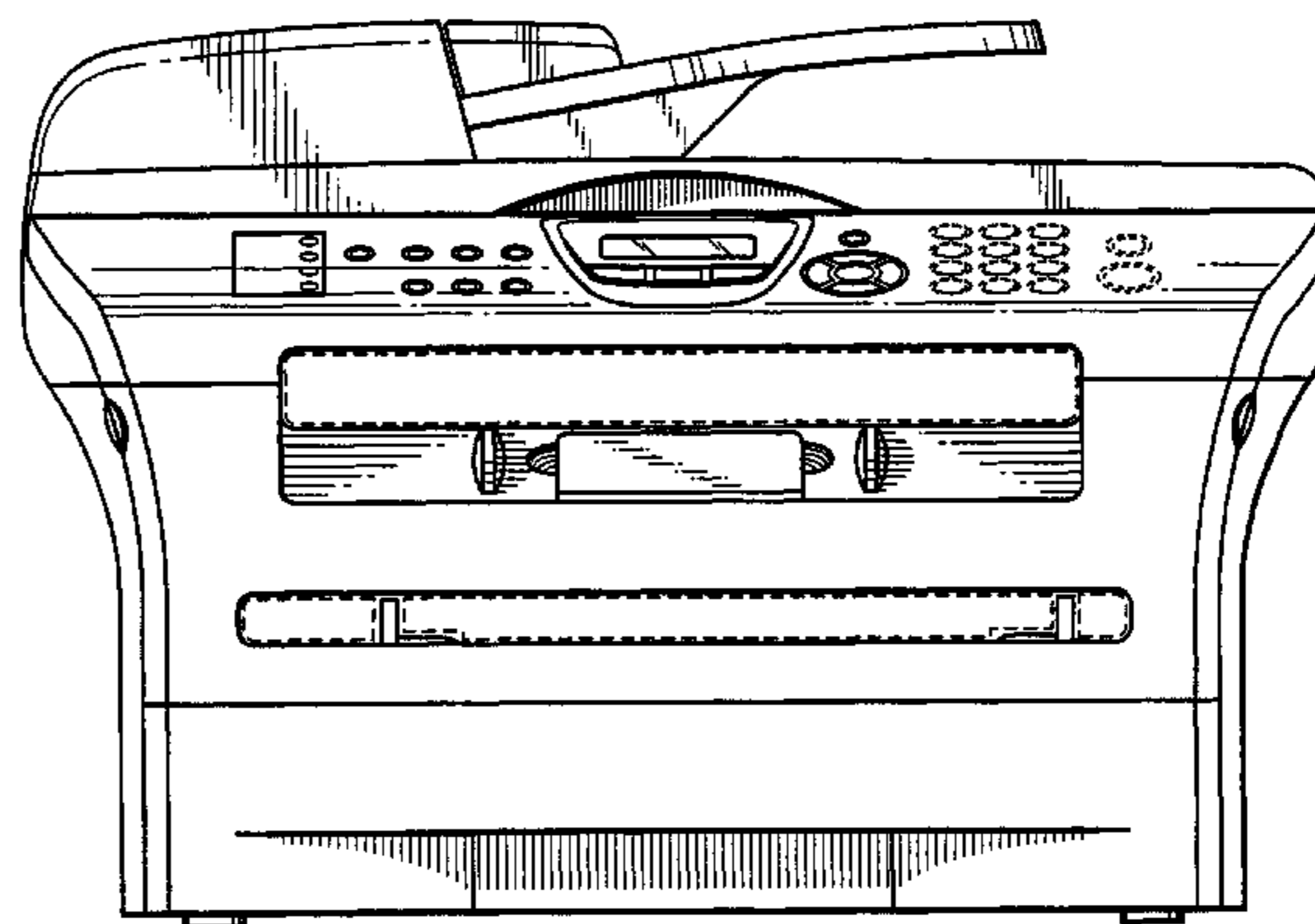
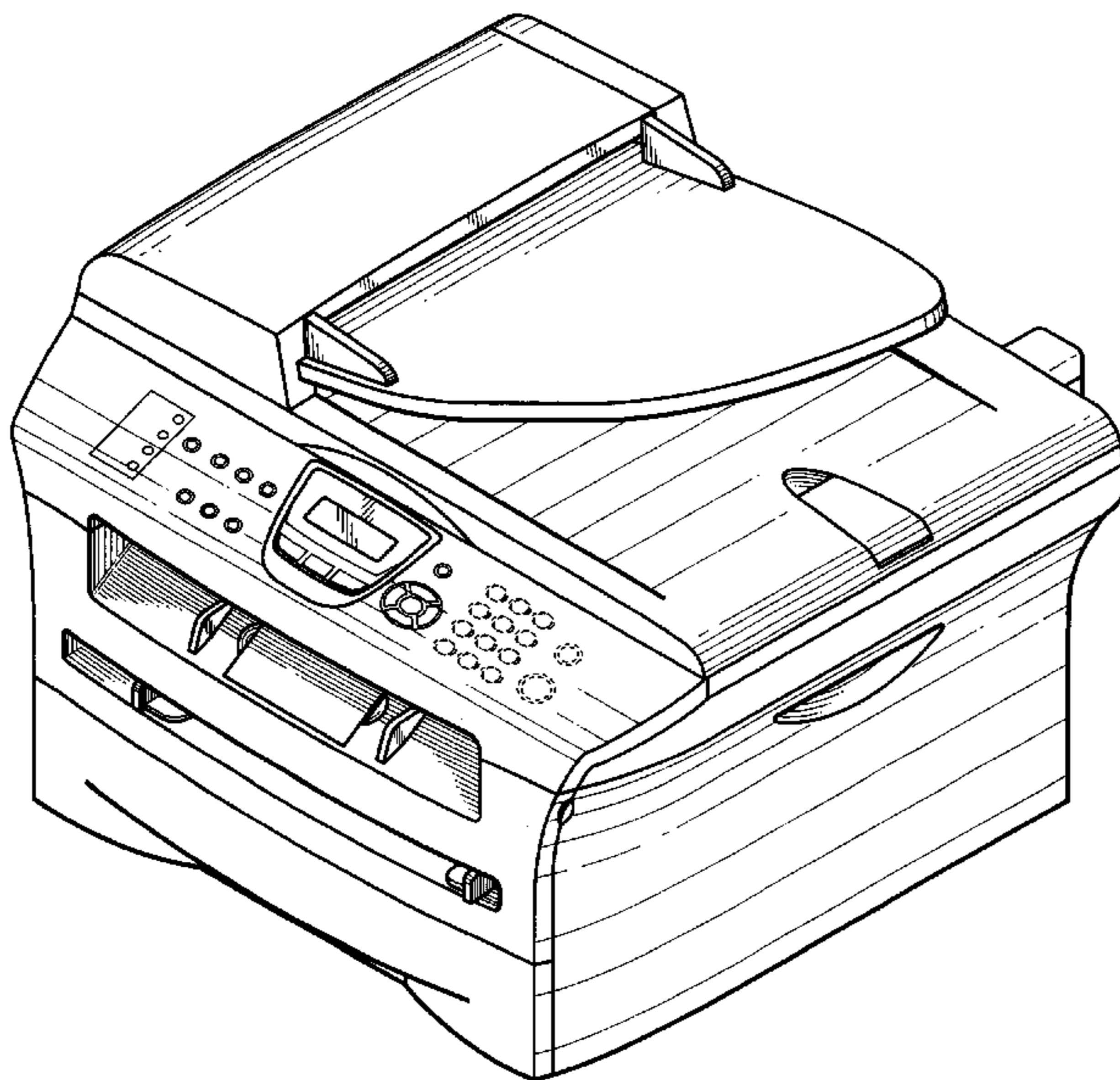
The ornamental design for a printer, as shown and described.

DESCRIPTION

FIG. 1 is a perspective view of a printer;
FIG. 2 is a front view thereof;
FIG. 3 is a top view thereof;
FIG. 4 is a right-side view thereof;
FIG. 5 is a left-side view thereof;
FIG. 6 is a rear view thereof; and,
FIG. 7 is a bottom view thereof.

The broken lines are for illustrative purposes only and forms no part of the claimed invention.

1 Claim, 6 Drawing Sheets



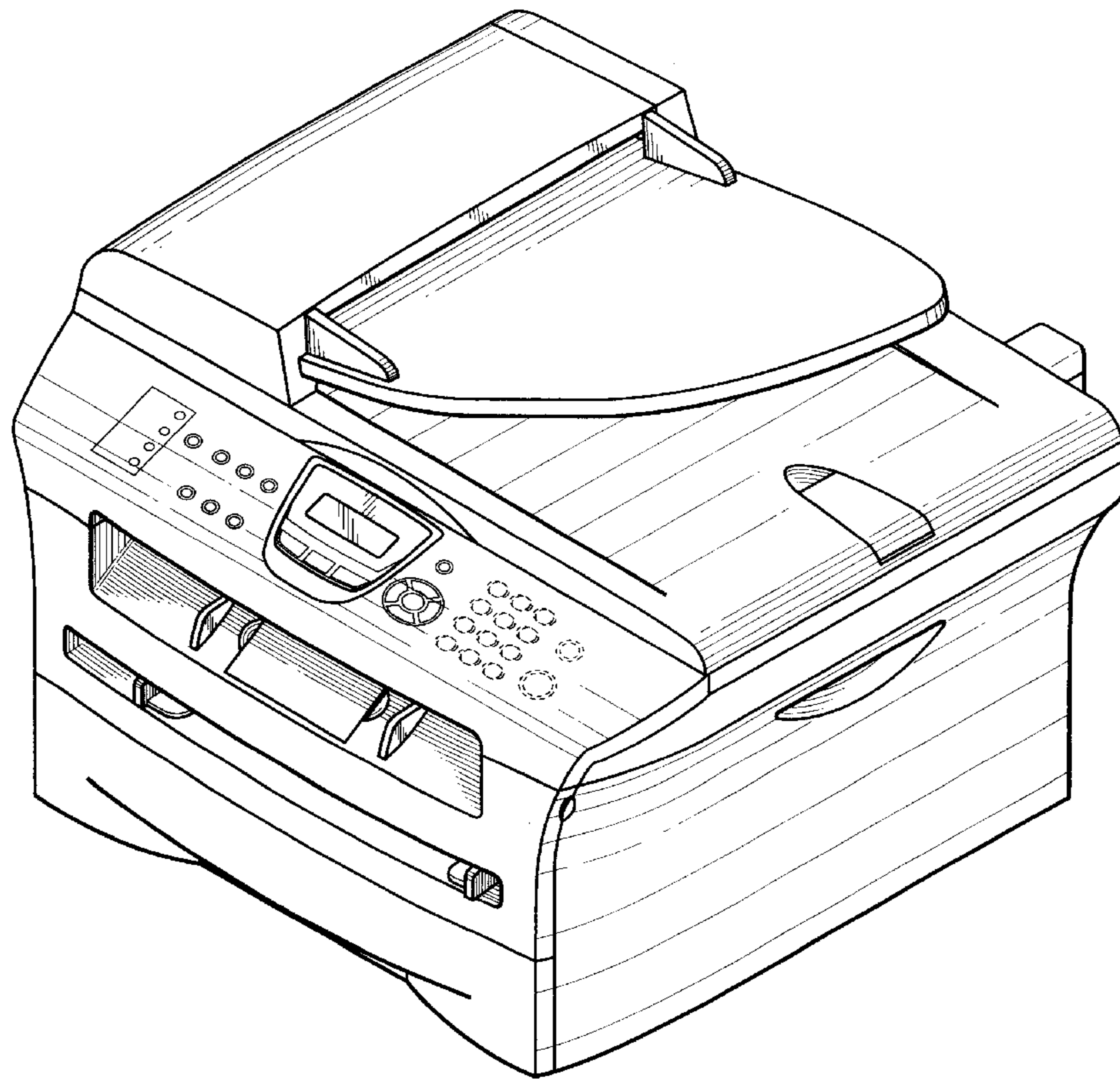


FIG. 1

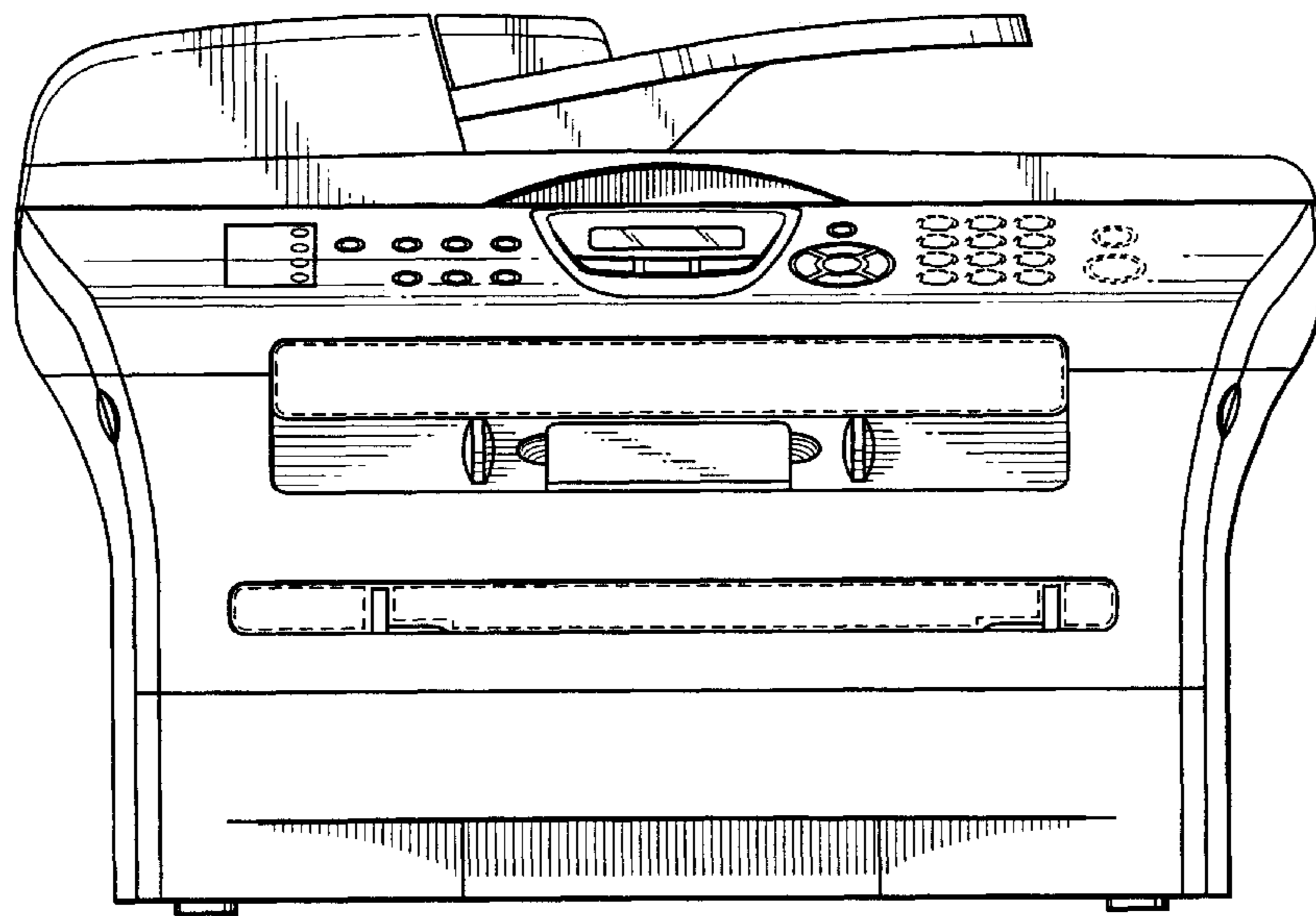


FIG. 2

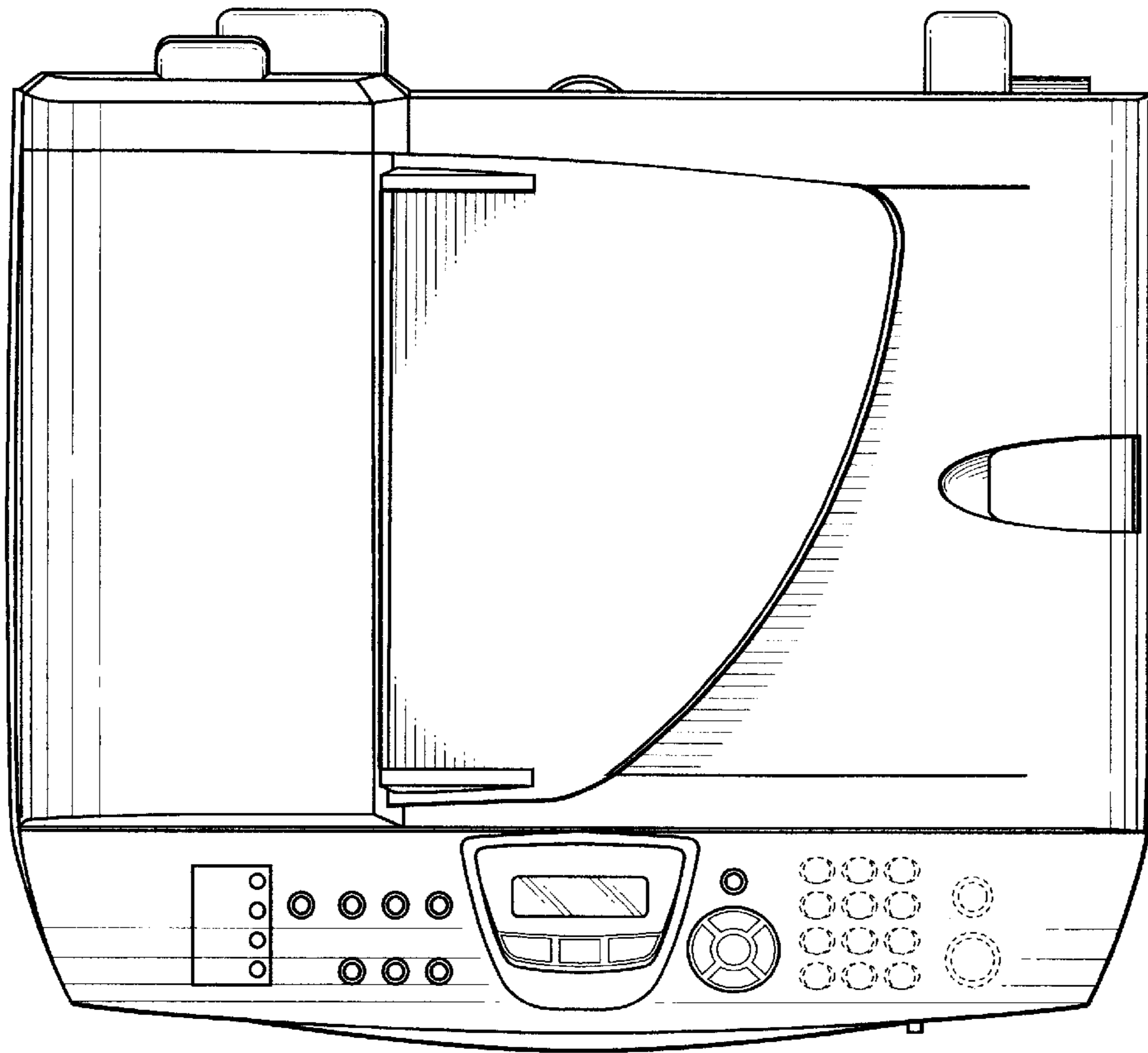


FIG. 3

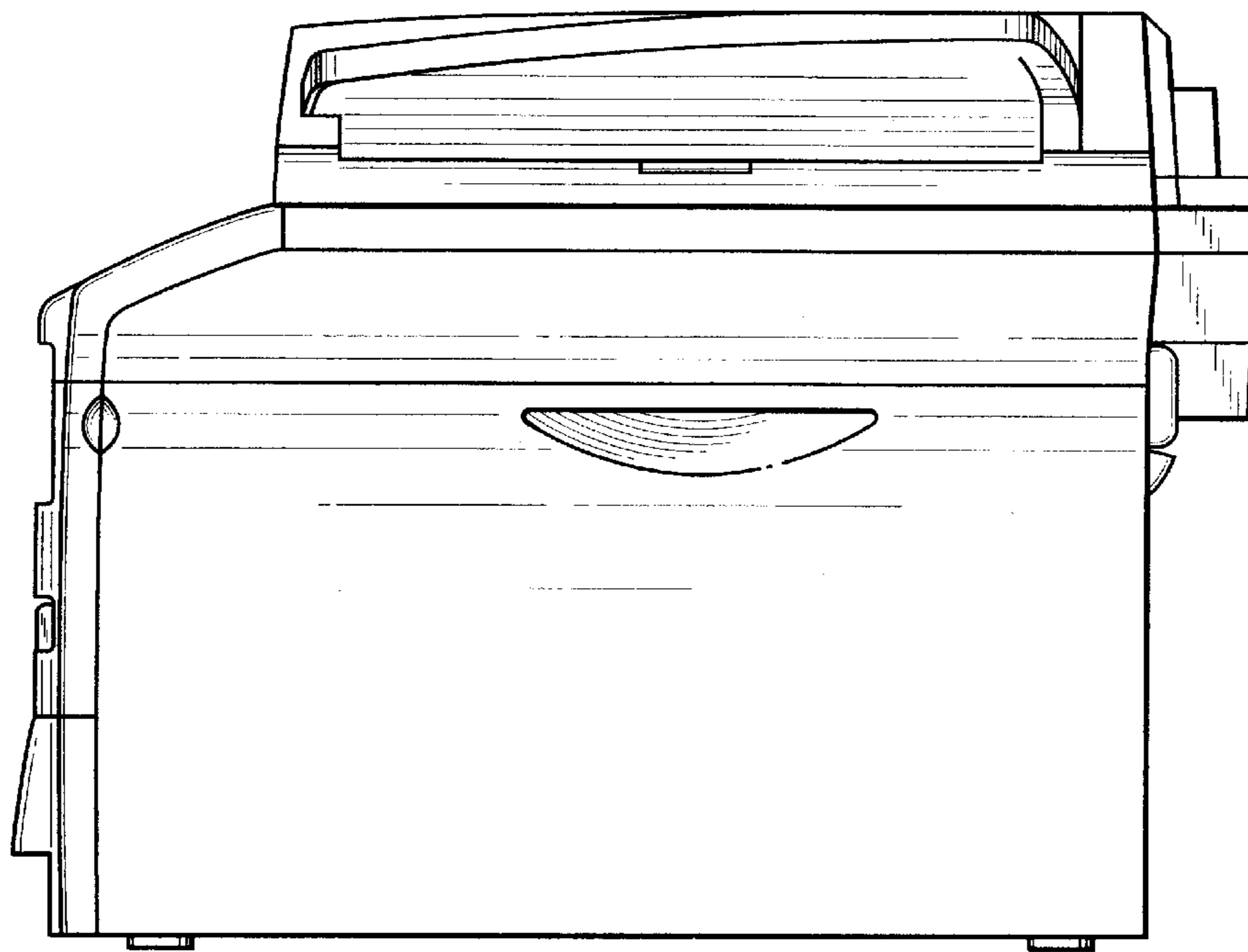


FIG. 4

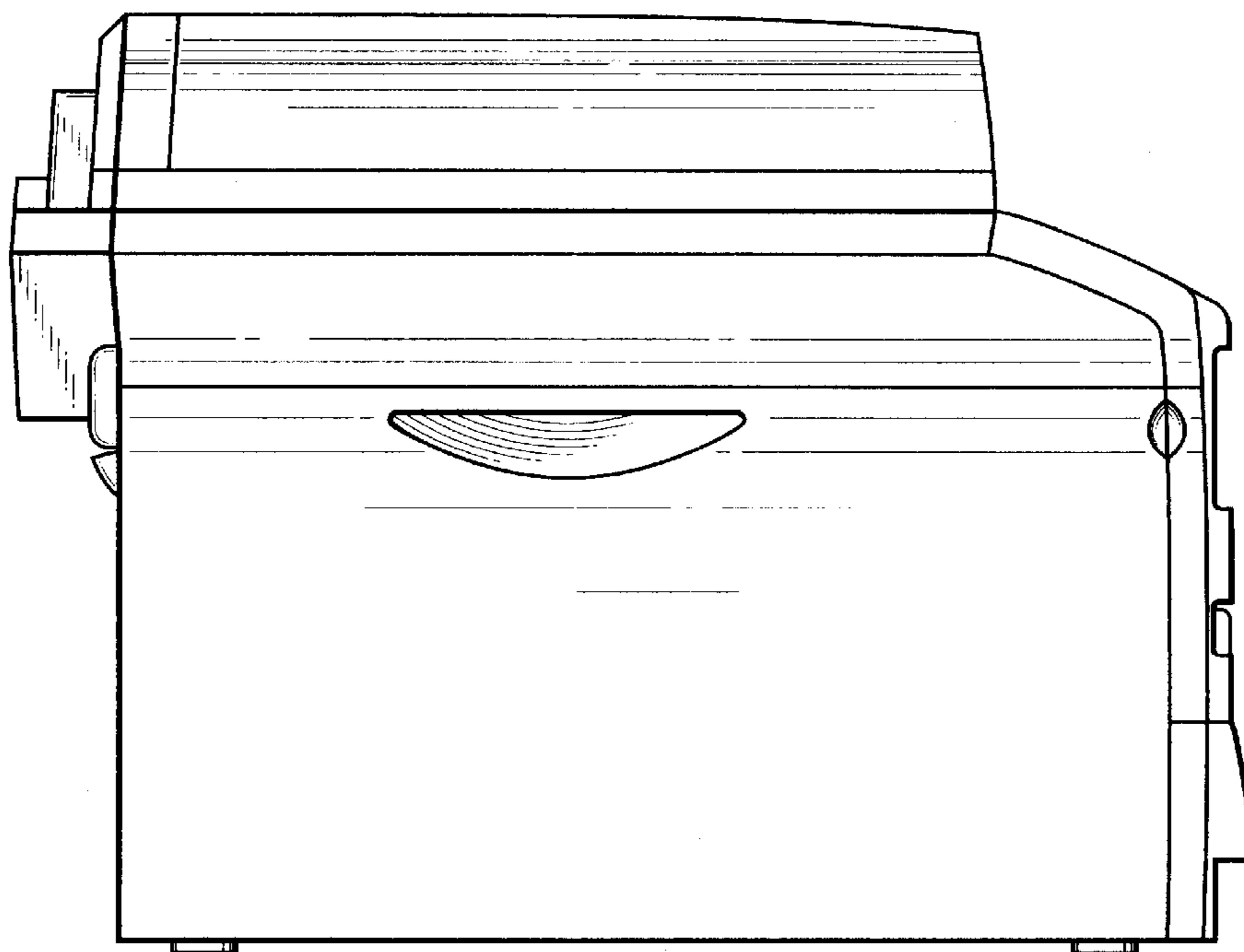


FIG. 5

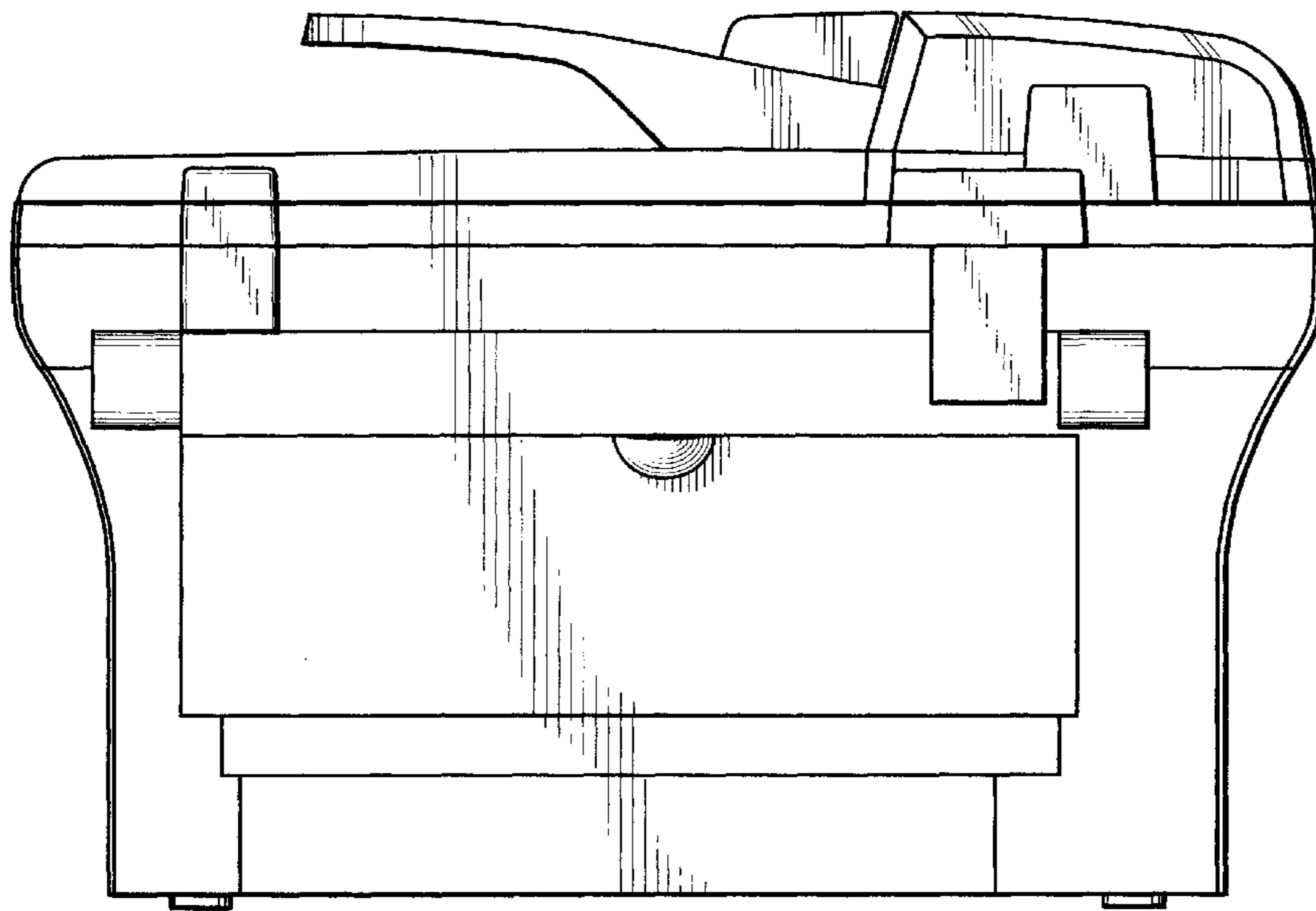


FIG. 6

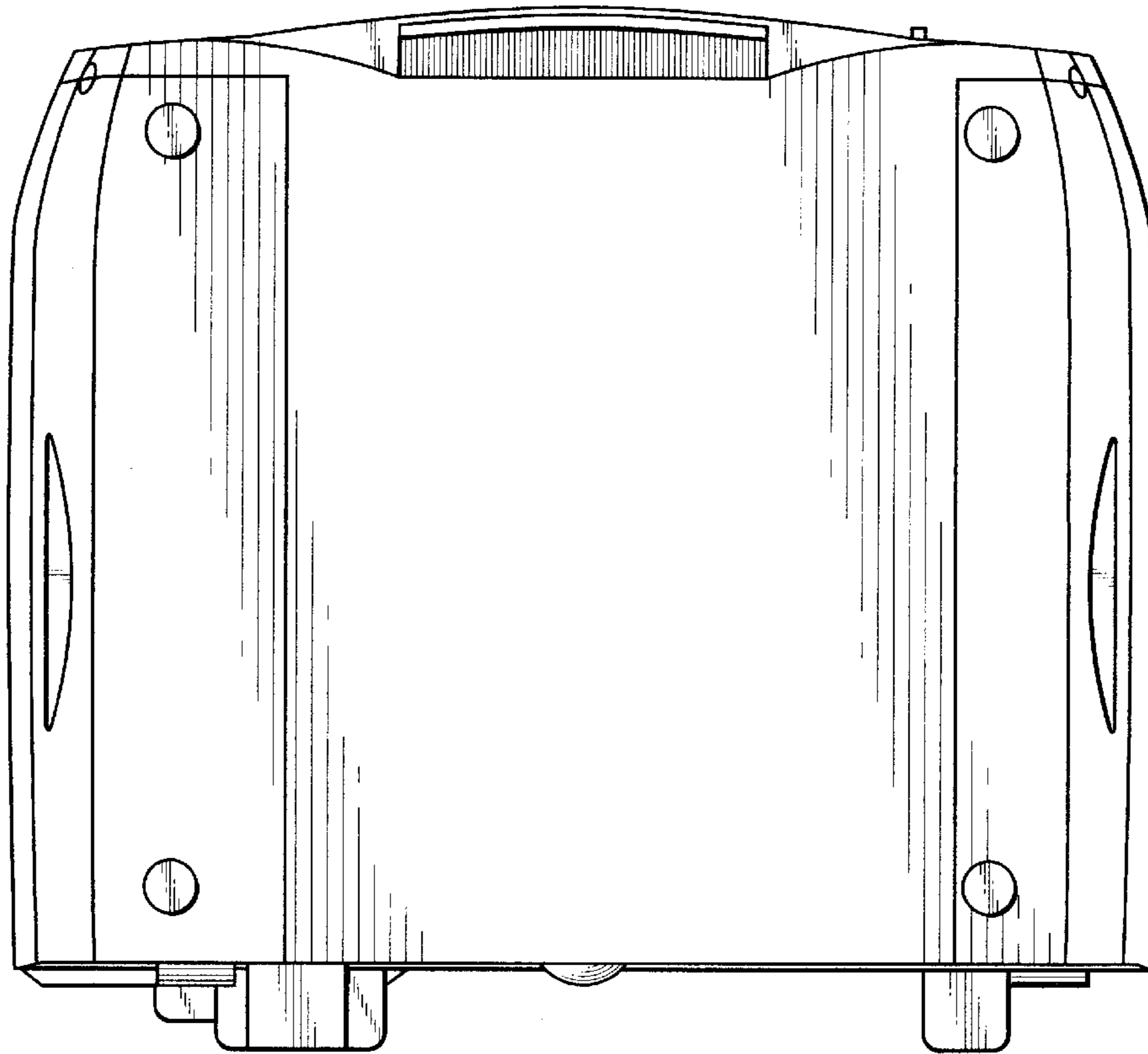


FIG. 7