



US00D534577S

(12) **United States Design Patent**
Kawai

(10) **Patent No.:** **US D534,577 S**

(45) **Date of Patent:** **** Jan. 2, 2007**

(54) **PRINTER**

(75) Inventor: **Takamitsu Kawai**, Obu (JP)

(73) Assignee: **Brother Industries, Ltd.**, Nagoya (JP)

(**) Term: **14 Years**

(21) Appl. No.: **29/210,569**

(22) Filed: **Aug. 4, 2004**

(30) **Foreign Application Priority Data**

Mar. 5, 2004 (JP) 2004-006757

(51) **LOC (8) Cl.** **14-02**

(52) **U.S. Cl.** **D18/50**

(58) **Field of Classification Search** D18/12,
D18/19, 40-44, 50, 56; D14/341, 426, 450-425,
D14/462-471; 400/613, 613.1-613.4, 690.1-690.4,
400/691, 694; 347/3, 171, 86; 428/32.1, 32.6;
358/505

See application file for complete search history.

(56) **References Cited**

U.S. PATENT DOCUMENTS

D236,030 S * 7/1975 Stemmler D18/44
D243,977 S * 4/1977 Roberts D18/12
5,363,998 A * 11/1994 Tschiderer 400/613.2

D385,576 S * 10/1997 Busby et al. D18/43
D434,792 S * 12/2000 C'DeBaca D18/43
6,622,410 B1 * 9/2003 Wilkes et al. 40/654
D484,183 S * 12/2003 Hattori D18/50
6,655,782 B1 * 12/2003 Barckhahn et al. 347/41
2002/0075517 A1 * 6/2002 Haining 358/302

* cited by examiner

Primary Examiner—Louis S. Zarfes

Assistant Examiner—Anhdao Doan

(74) *Attorney, Agent, or Firm*—Oliff & Berridge, PLC

(57) **CLAIM**

The ornamental design for a printer, as shown and described.

DESCRIPTION

FIG. 1 is a perspective view of a printer with a cover in an open position;

FIG. 2 is an enlarged partial perspective view thereof;

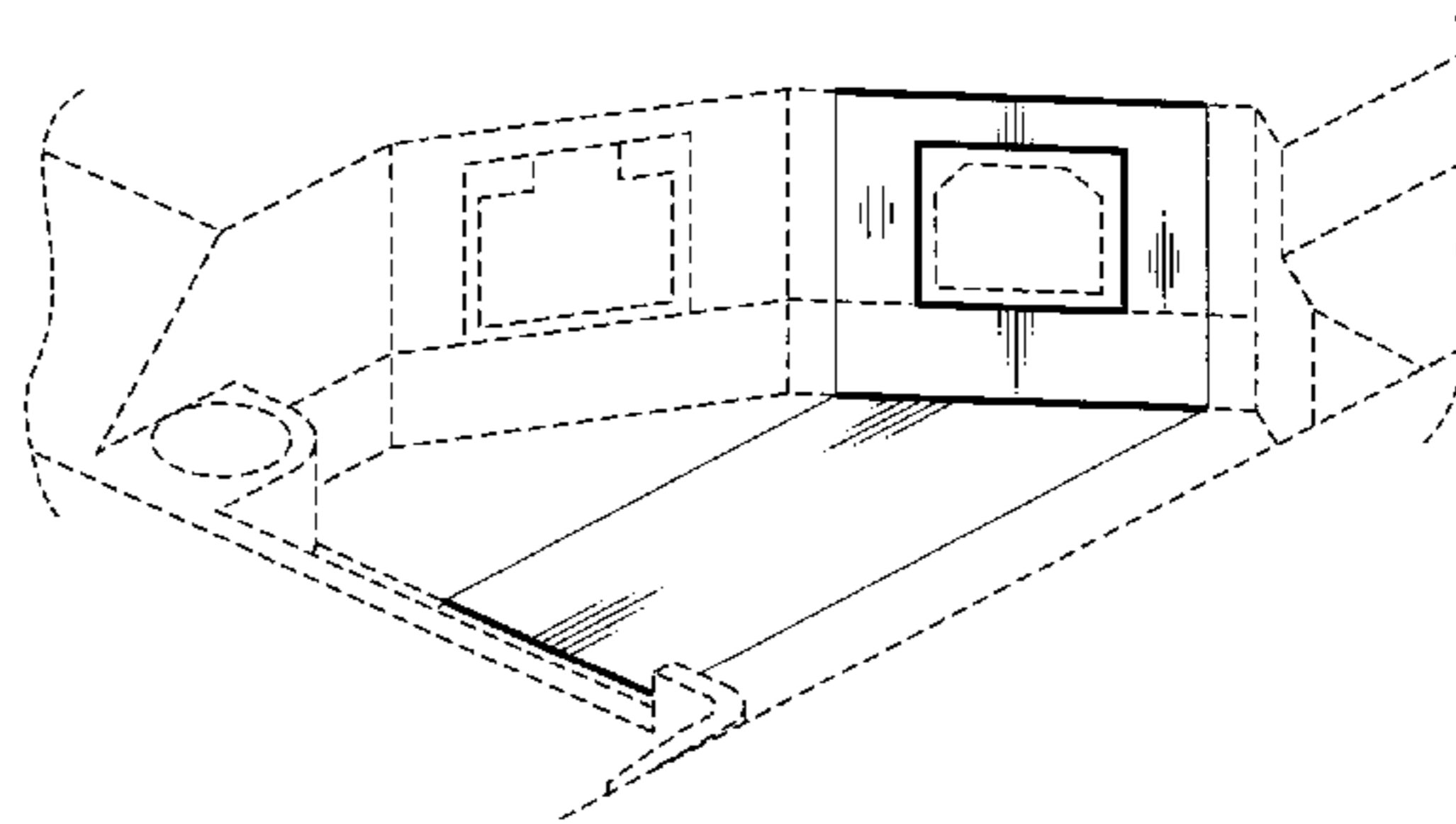
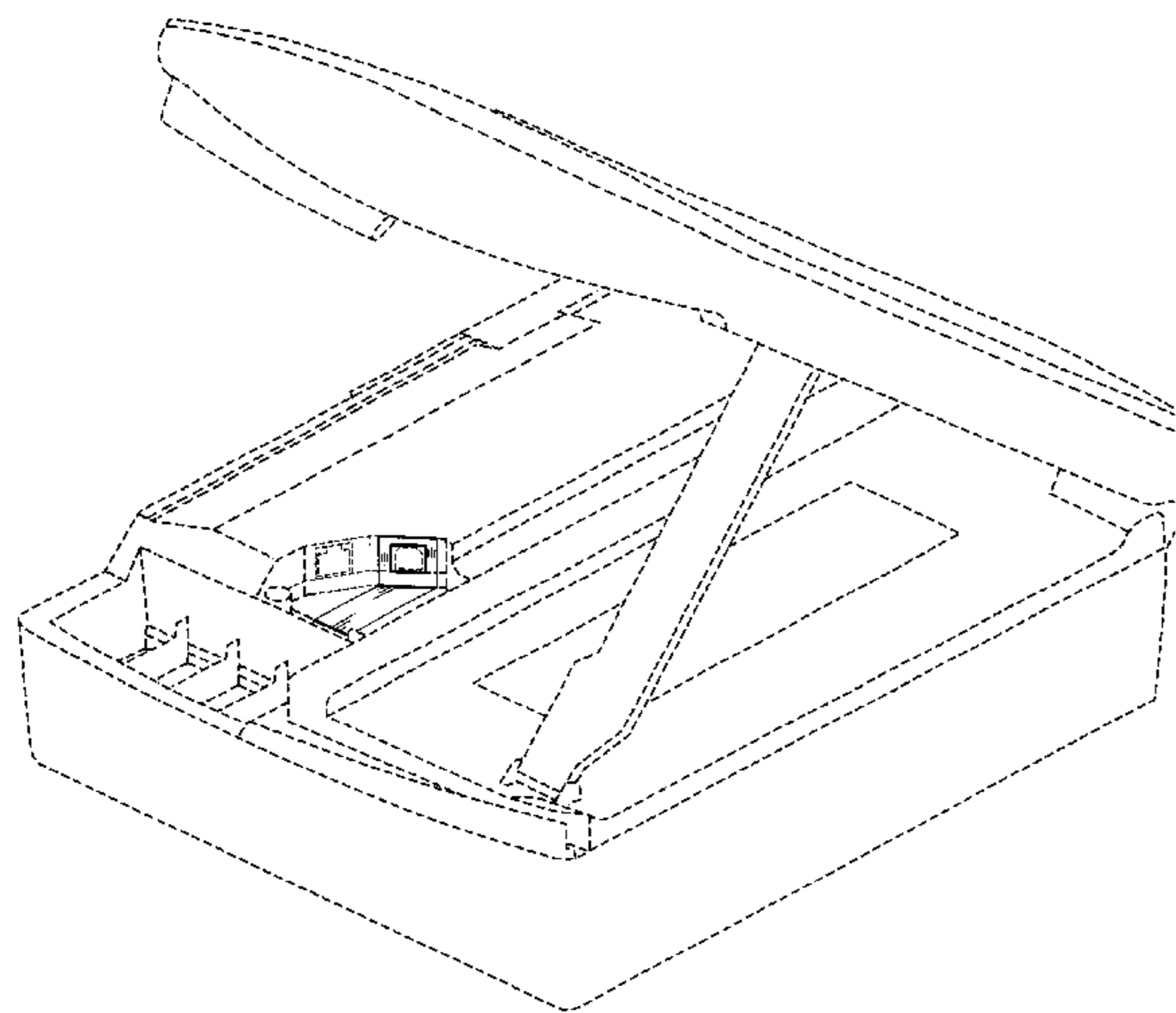
FIG. 3 is a top view thereof with the cover removed and viewed from an opposite side;

FIG. 4 is an enlarged partial top view thereof; and,

FIG. 5 is a cross-sectional view taken along the line 5—5 of FIG. 3 and between the arrows 5'—5' of FIG. 3.

The broken lines are for illustrative purposes only and form no part of the claimed design.

1 Claim, 3 Drawing Sheets



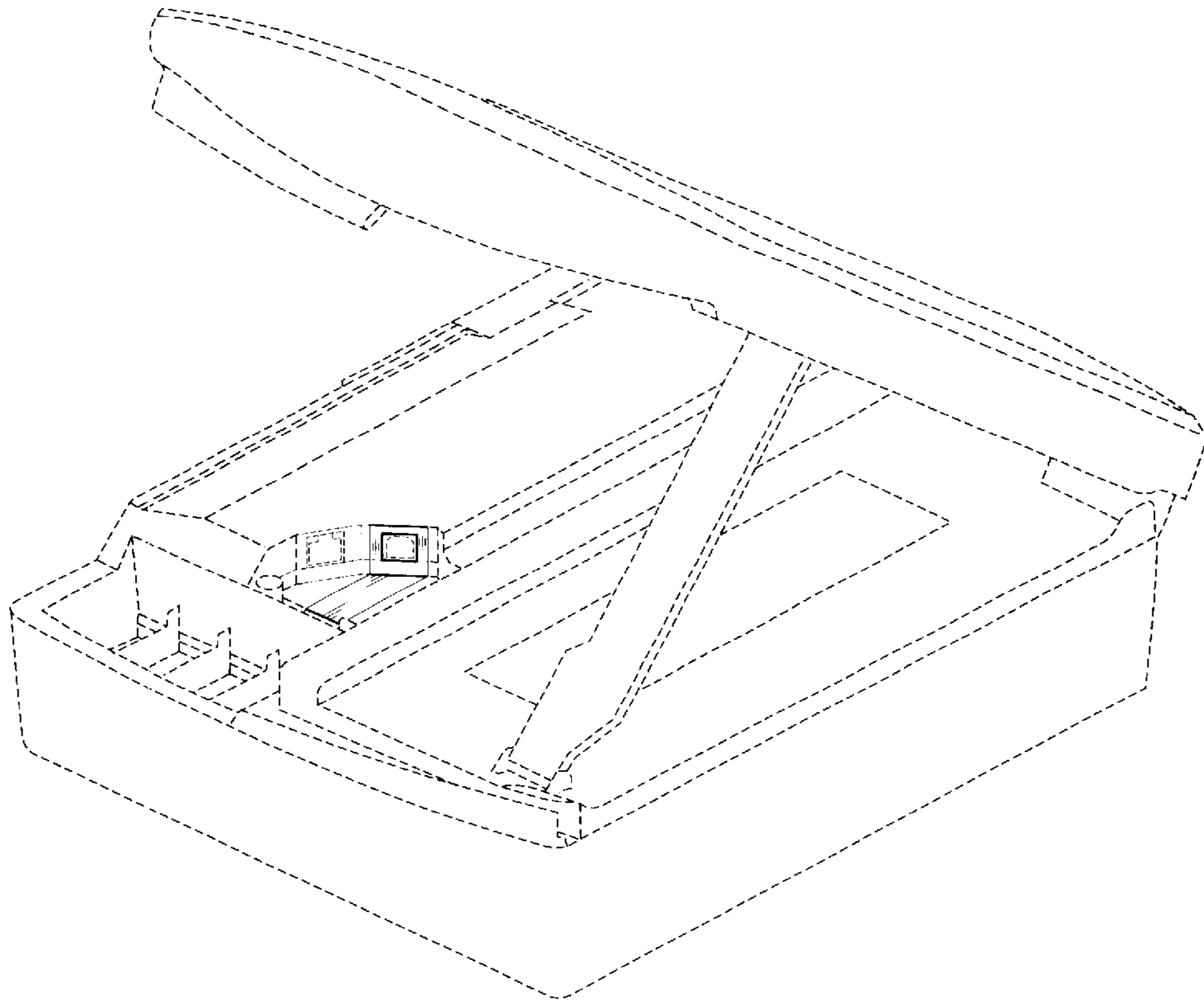


FIG. 1

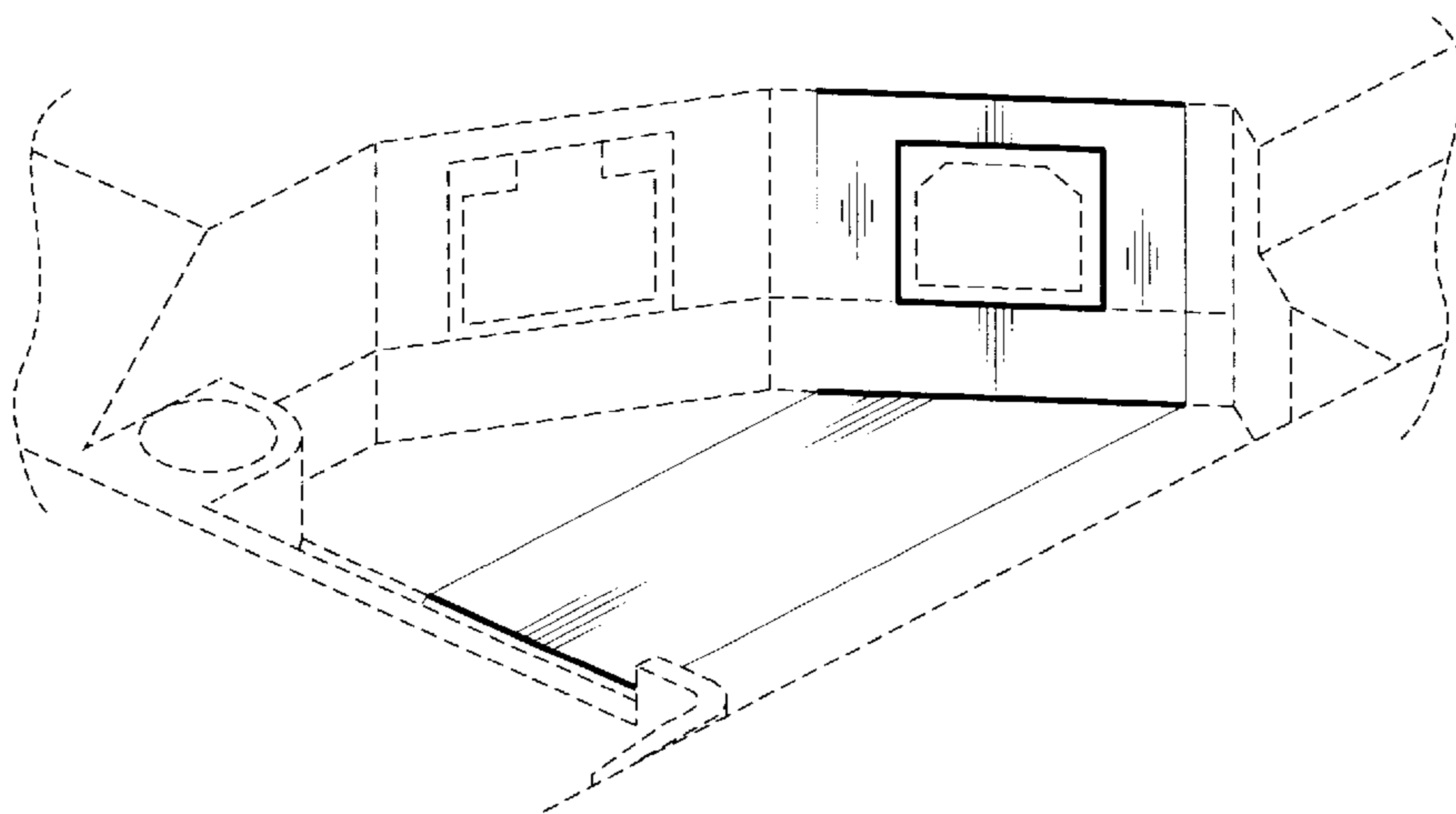


FIG. 2

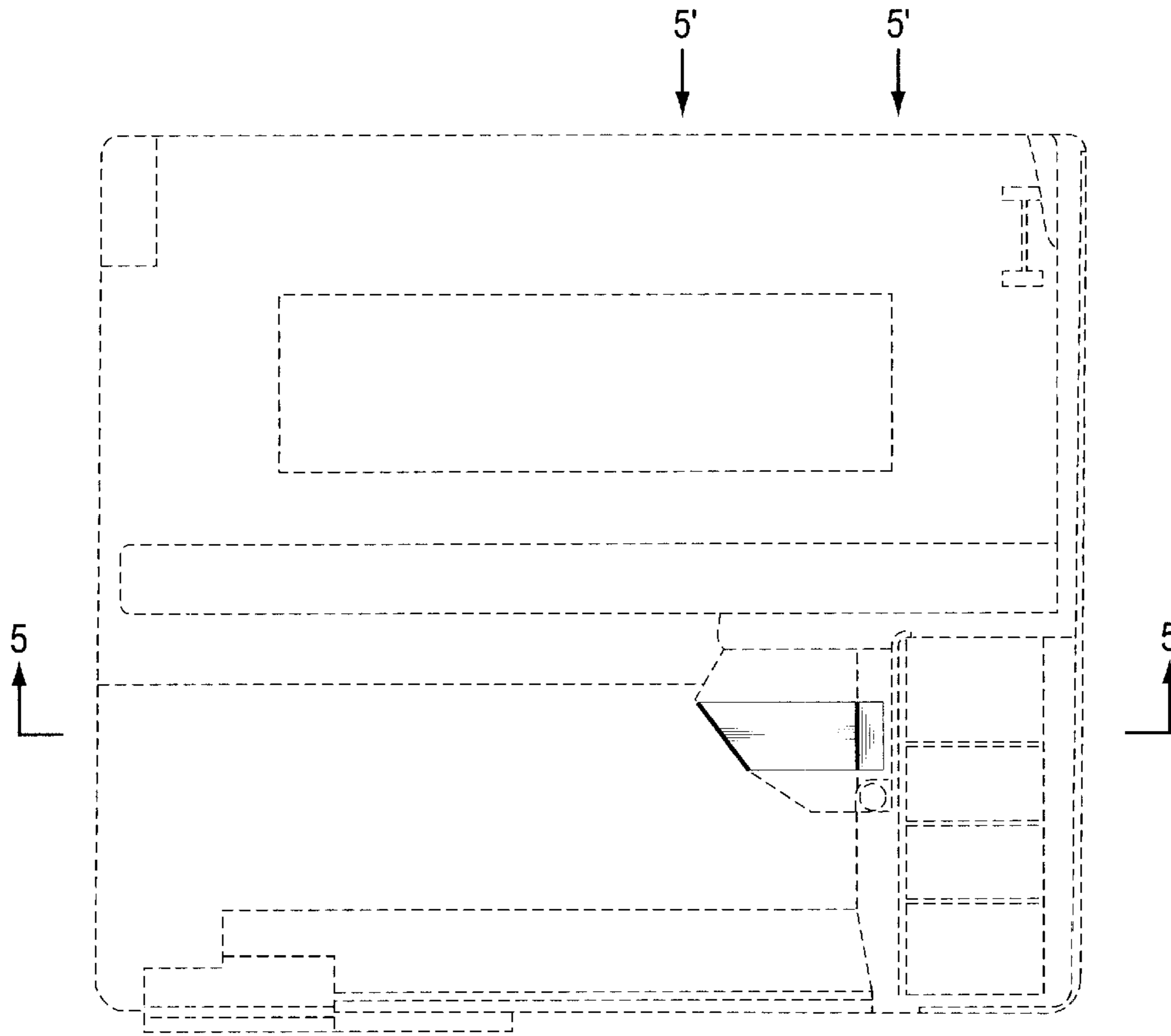


FIG. 3

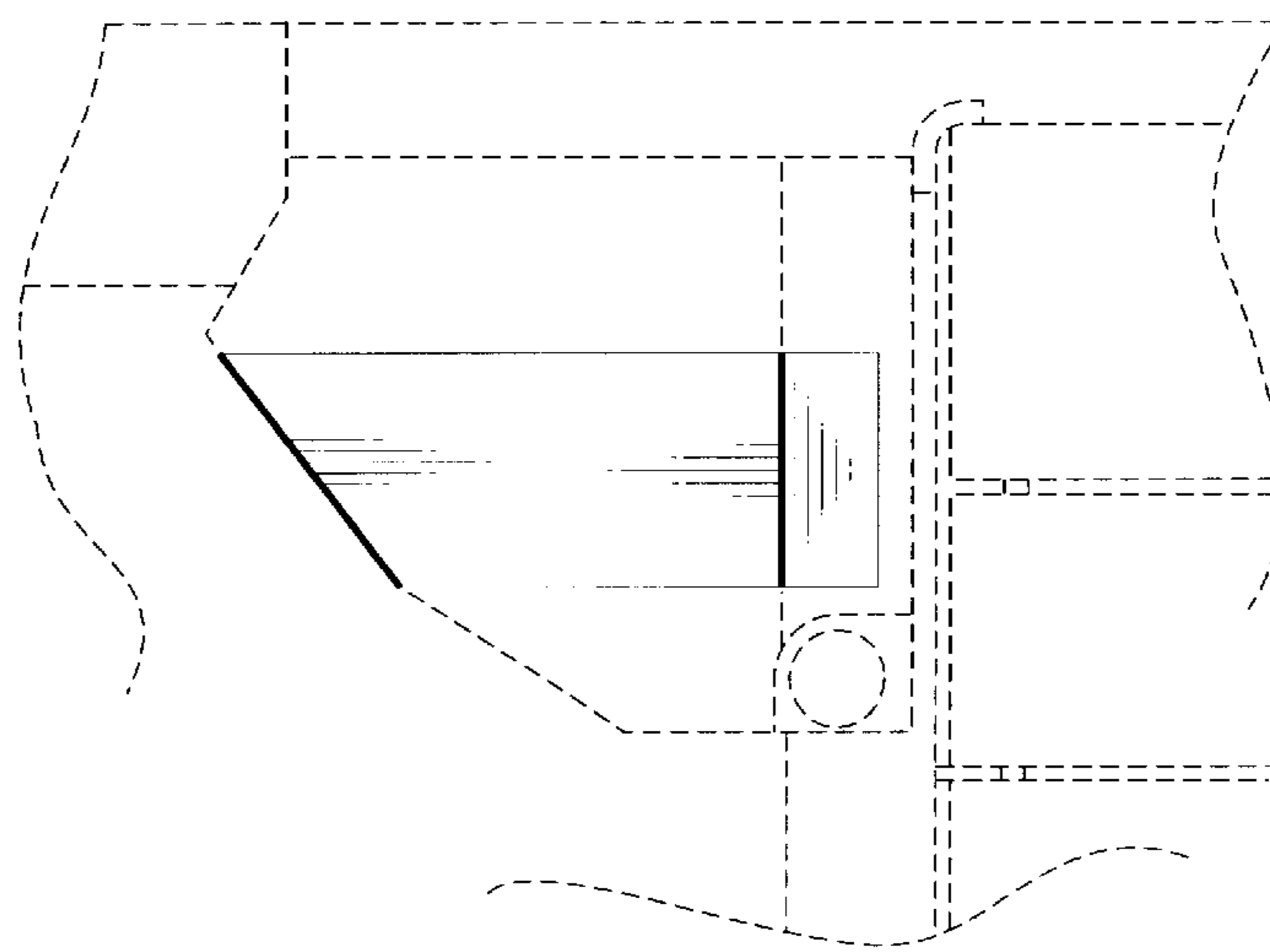


FIG. 4

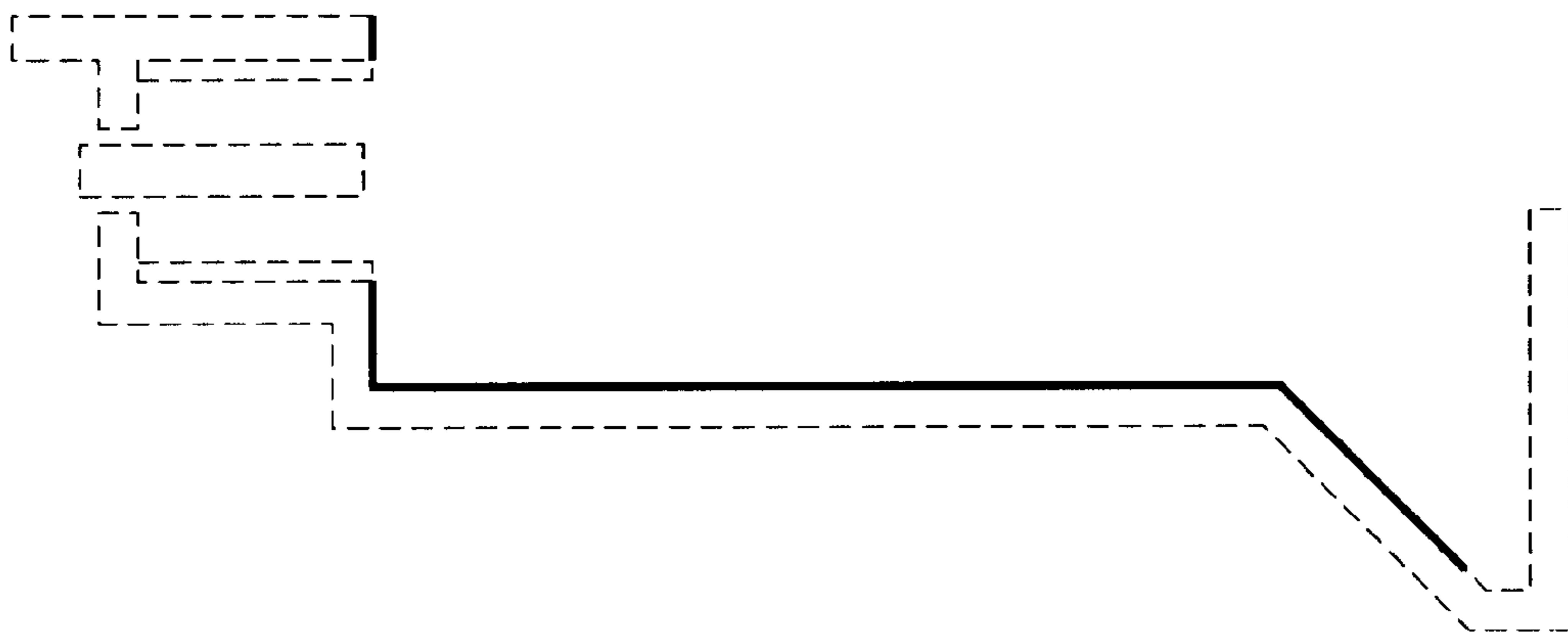


FIG. 5