



US00D534576S

(12) **United States Design Patent** (10) **Patent No.:** **US D534,576 S**  
**Hashimoto et al.** (45) **Date of Patent:** **\*\* Jan. 2, 2007**

(54) **TONER CARTRIDGE**  
(75) Inventors: **Junichi Hashimoto**, Toyohashi (JP);  
**Takeru Kinoshita**, Toyokawa (JP);  
**Takako Hayashi**, Toyokawa (JP)  
(73) Assignee: **Konica Minolta Business Technologies, Inc.**, Tokyo (JP)  
(\*\*) Term: **14 Years**

(21) Appl. No.: **29/258,075**  
(22) Filed: **Apr. 17, 2006**

**Related U.S. Application Data**

(62) Division of application No. 29/237,633, filed on Sep. 6, 2005, now Pat. No. Des. 524,850.

(30) **Foreign Application Priority Data**

Mar. 8, 2005 (JP) ..... 2005-006705  
Mar. 8, 2005 (JP) ..... 2005-006706

(51) **LOC (8) Cl.** ..... **16-03**  
(52) **U.S. Cl.** ..... **D18/43**  
(58) **Field of Classification Search** ..... D18/12,  
D18/36, 40, 43, 44, 56; D14/462, 469-471;  
222/DIG. 1; 347/197, 222; 399/24-28, 107-112,  
399/119, 121, 122, 222-224; 400/207  
See application file for complete search history.

(56) **References Cited**

**U.S. PATENT DOCUMENTS**

D238,658 S \* 2/1976 Stone ..... D18/43  
D272,251 S 1/1984 Yoshihama  
D298,331 S \* 11/1988 Takahashi et al. .... D18/43  
5,079,589 A 1/1992 Shibata et al.  
D332,276 S 1/1993 Tajima et al.  
D332,277 S 1/1993 Tajima et al.  
D359,069 S 6/1995 Komaki et al.  
D361,341 S 8/1995 Komaki et al.

D363,305 S \* 10/1995 Nishioka et al. .... D18/43  
D366,275 S \* 1/1996 Komaki ..... D18/43  
D366,276 S 1/1996 Yasuda  
D375,519 S 11/1996 Tsumuki  
D399,871 S 10/1998 Joroku et al.  
D438,891 S \* 3/2001 Hoshino et al. .... D18/40  
D443,295 S 6/2001 Kusanagi et al.  
D459,387 S \* 6/2002 Tanda ..... D18/43  
6,438,345 B1 \* 8/2002 Ban et al. .... 222/DIG. 1  
D463,817 S 10/2002 Kunihiro et al.  
D464,369 S 10/2002 Kunihiro et al.  
6,608,980 B1 \* 8/2003 Murayama et al. .... 399/111  
D489,400 S \* 5/2004 Nagashiro ..... D18/43  
6,954,601 B1 10/2005 Numagami et al.  
2001/0021320 A1 9/2001 Murayama et al.  
2005/0169663 A1 8/2005 Shintani et al.  
2005/0207781 A1 9/2005 Askren et al.  
2005/0214019 A1 9/2005 Abe et al.  
2006/0051126 A1 \* 3/2006 Kweon ..... 399/111

\* cited by examiner

*Primary Examiner*—Robert M. Spear  
*Assistant Examiner*—Garth Rademaker  
(74) *Attorney, Agent, or Firm*—Buchanan Ingersoll & Rooney PC

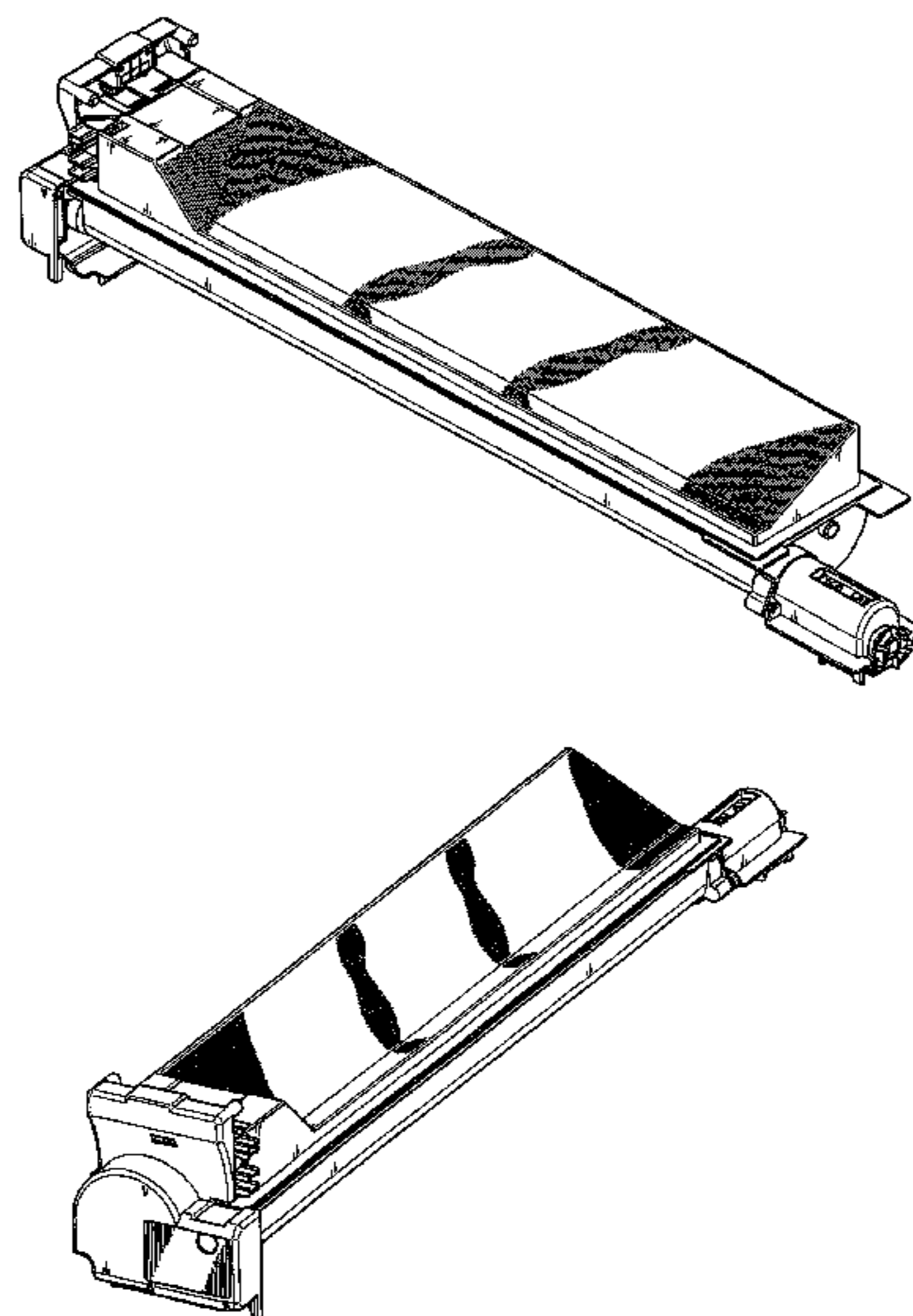
(57) **CLAIM**

The ornamental design for a toner cartridge, as shown and described.

**DESCRIPTION**

FIG. 1 is a top, front and right side perspective view of a toner cartridge showing our new design;  
FIG. 2 is a top, front and left side perspective view thereof;  
FIG. 3 is a front elevational view thereof;  
FIG. 4 is a rear elevational view thereof;  
FIG. 5 is a top plan view thereof;  
FIG. 6 is a bottom plan view thereof;  
FIG. 7 is a right side elevational view thereof; and,  
FIG. 8 is a left side elevational view thereof.

**1 Claim, 5 Drawing Sheets**



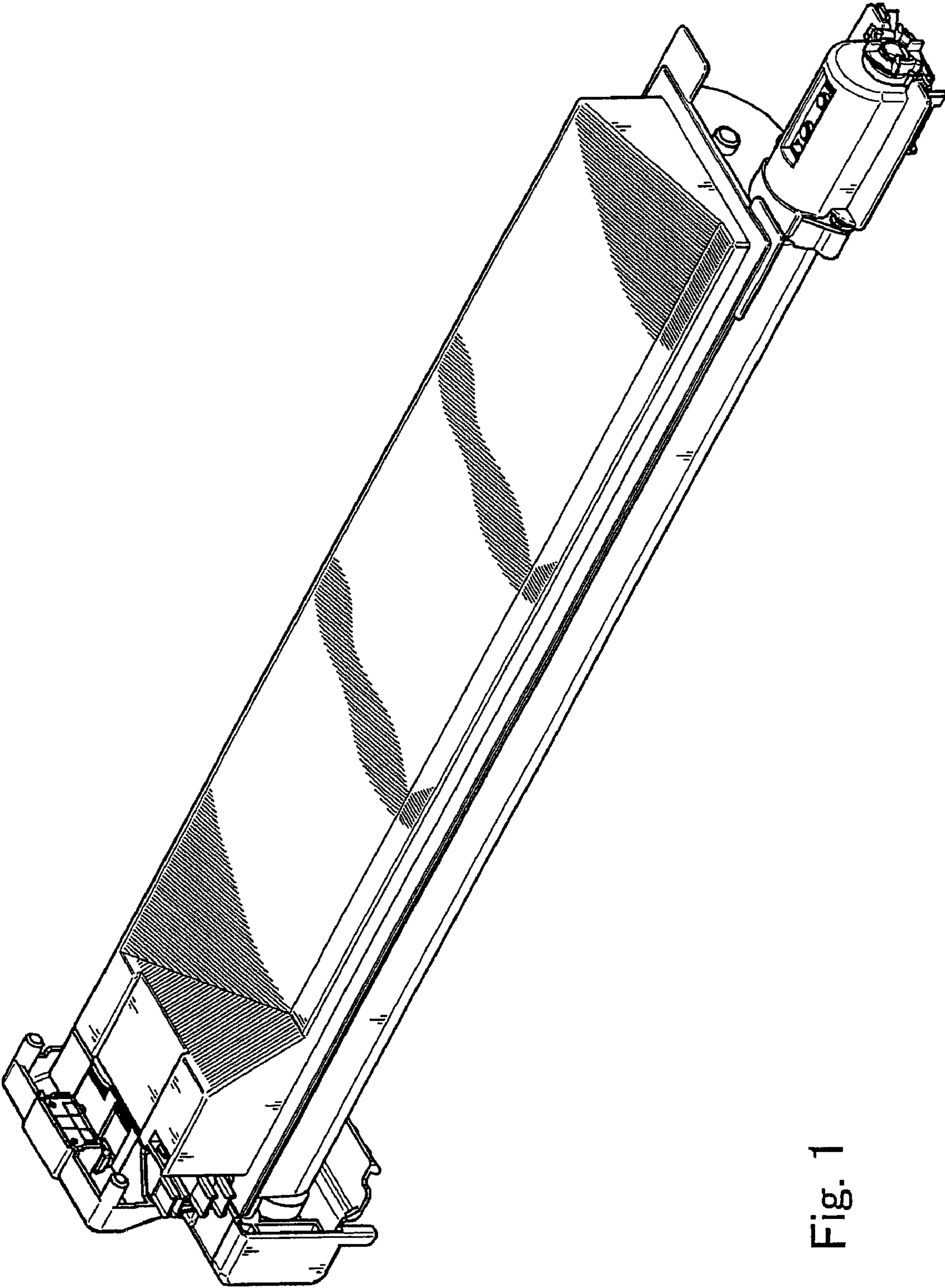


Fig. 1



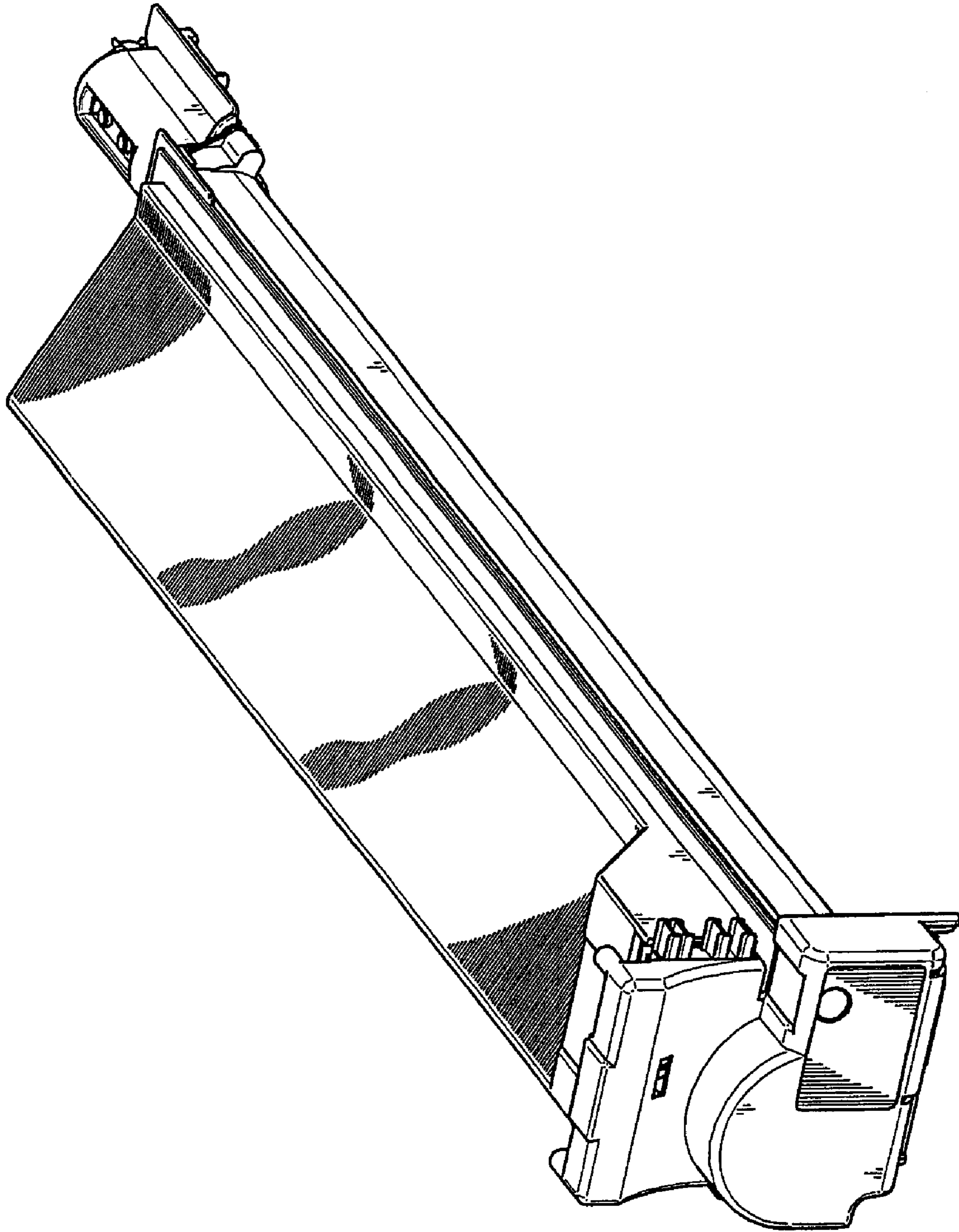


Fig. 2

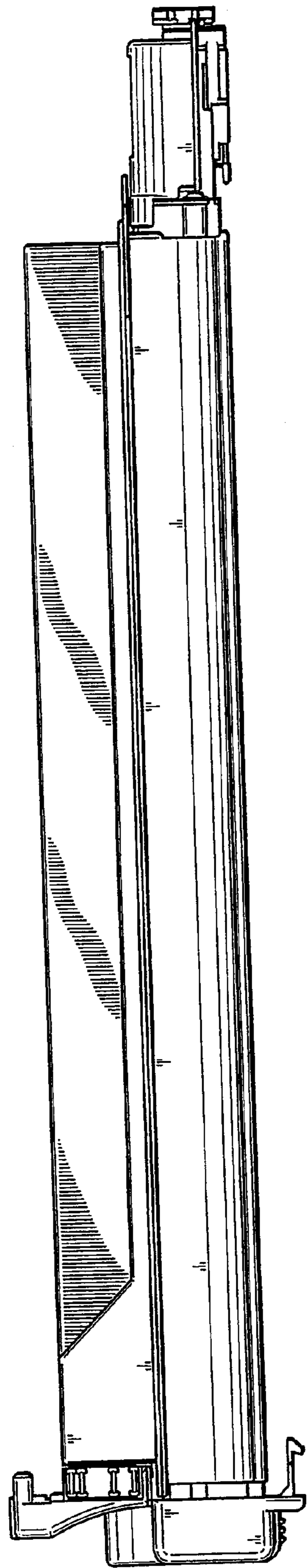


Fig. 3

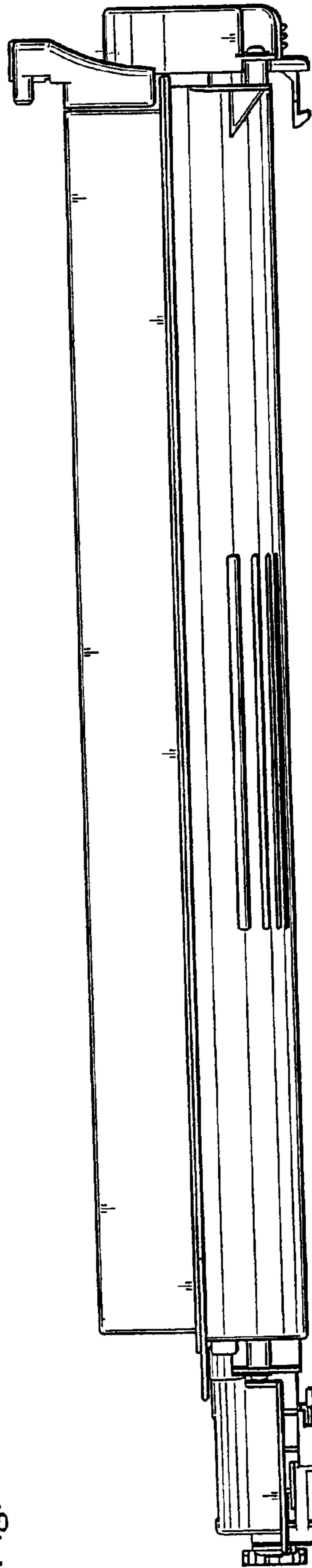


Fig. 4

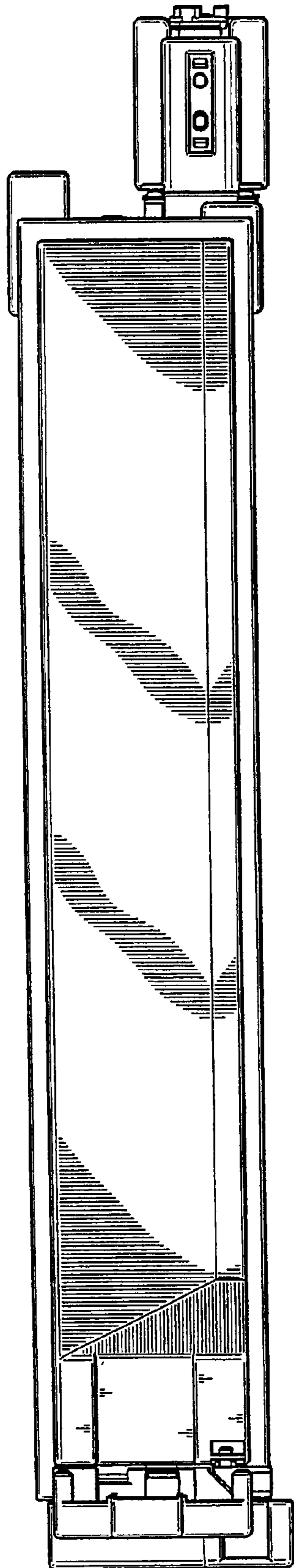


Fig. 5

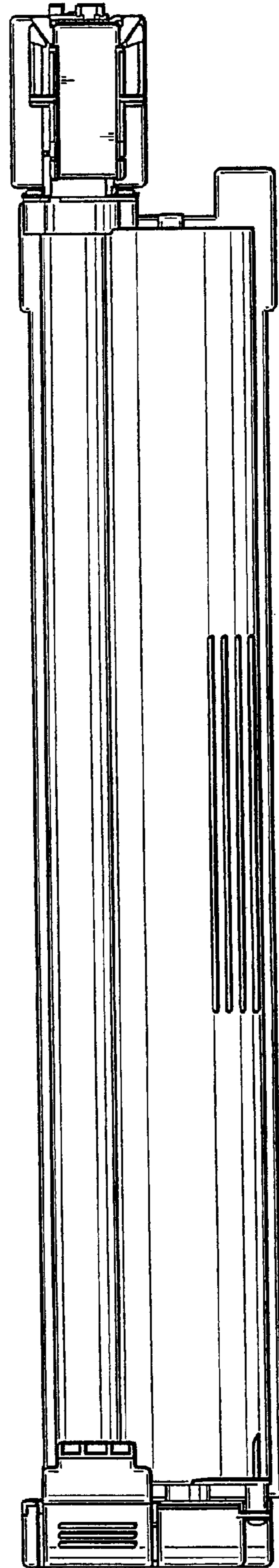


Fig. 6

Fig. 8

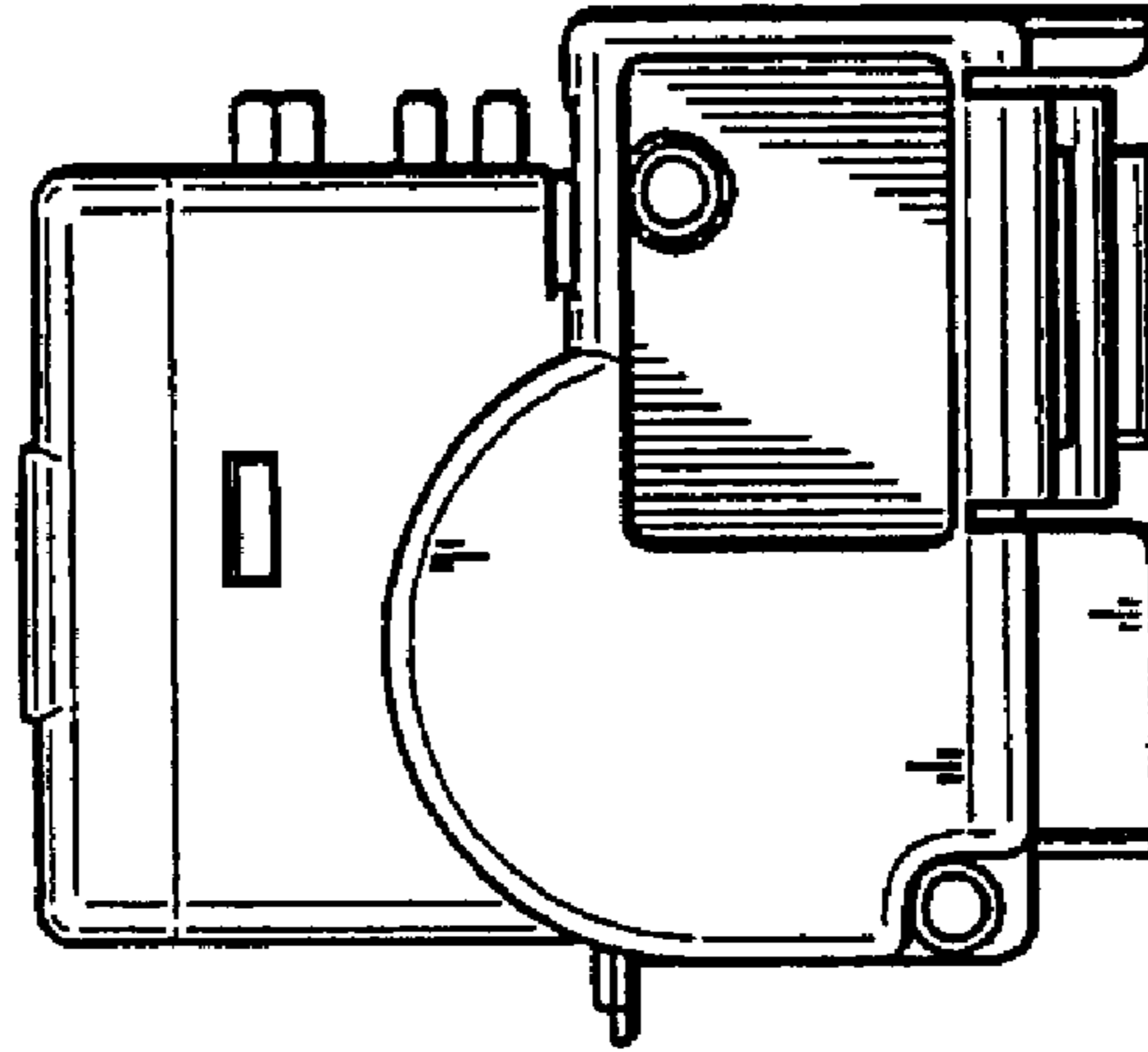


Fig. 7

