



US00D534575S

(12) **United States Design Patent**
Hsieh

(10) **Patent No.:** **US D534,575 S**

(45) **Date of Patent:** **** Jan. 2, 2007**

(54) **ADJUSTING BOLT SEAT FOR A DRUM**

(76) Inventor: **Wu-Hong Hsieh**, No. 162, Chung Shan
2nd Rd., Lu Chou City, Taipei Hsien
(TW)

(**) Term: **14 Years**

(21) Appl. No.: **29/192,150**

(22) Filed: **Oct. 21, 2003**

(51) **LOC (8) Cl.** **17-04**

(52) **U.S. Cl.** **D17/22**

(58) **Field of Classification Search** D17/22,
D17/99; 84/411 R, 411 A, 413, 422.1
See application file for complete search history.

(56) **References Cited**

U.S. PATENT DOCUMENTS

D59,887 S	*	12/1921	Freeman	D17/22
D313,610 S	*	1/1991	Starr	D17/22
6,278,045 B1	*	8/2001	Reyes	84/411 R
D447,508 S	*	9/2001	Chen	D17/22
D489,751 S	*	5/2004	Liao	D17/22
D490,838 S	*	6/2004	Liao	D17/22

* cited by examiner

Primary Examiner—Adir Aronovich
(74) *Attorney, Agent, or Firm*—Dennison, Schultz,
Dougherty & McDonald

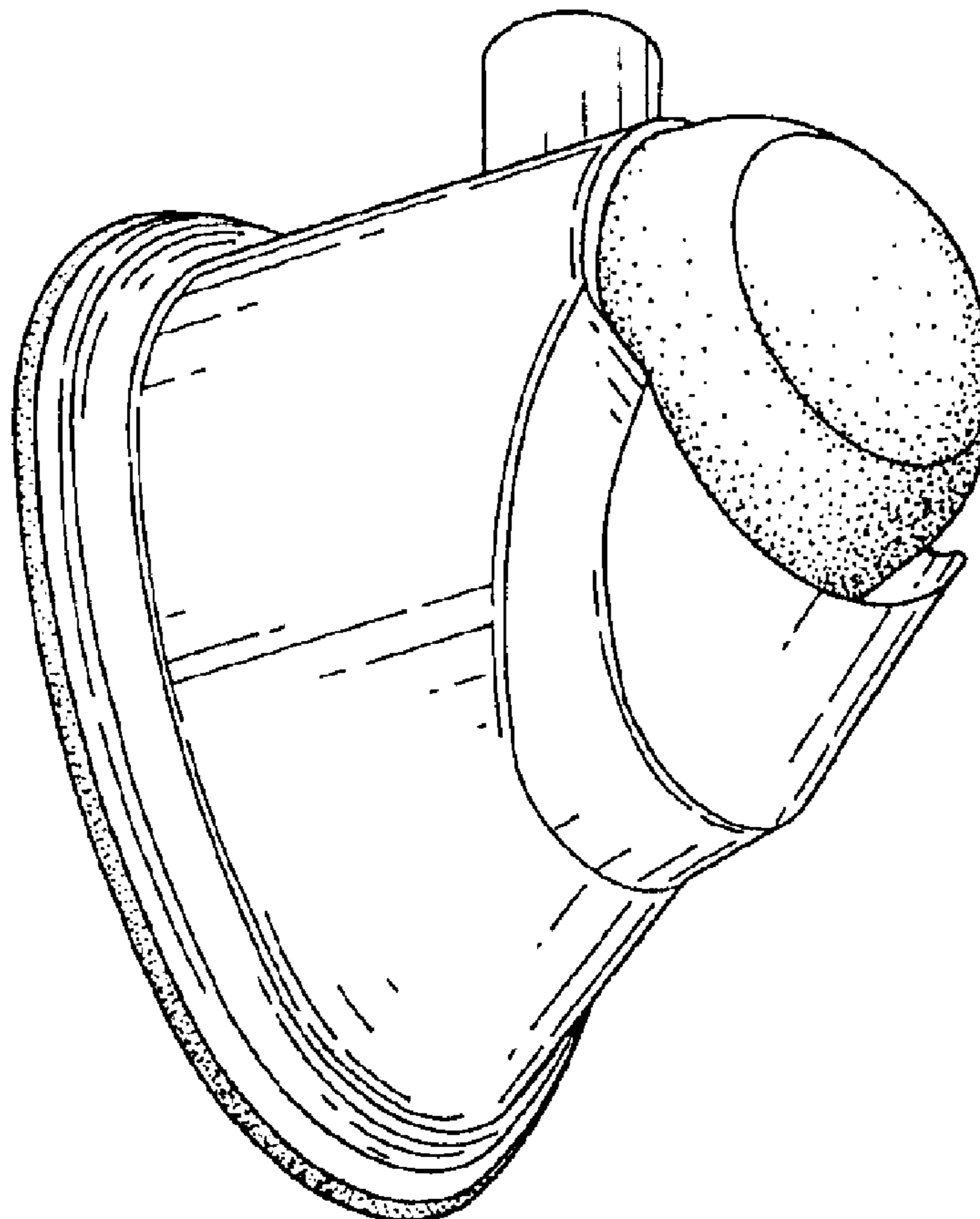
(57) **CLAIM**

The ornamental design for an adjusting bolt seat for a drum,
as shown and described.

DESCRIPTION

FIG. 1 is a perspective view of an adjusting bolt seat for a drum, showing my new design;
FIG. 2 is a front elevational view thereof;
FIG. 3 is a rear elevational view thereof;
FIG. 4 is a left elevational view thereof;
FIG. 5 is a right elevational view thereof;
FIG. 6 is top plan view thereof;
FIG. 7 is a bottom plan view thereof; and,
FIG. 8 is a reduced perspective view showing the application of the adjusting bolt seat, wherein portions of fragmentary drum and bolt seats in broken lines are shown for illustrative purposes only and form no part of the claimed design.

1 Claim, 8 Drawing Sheets



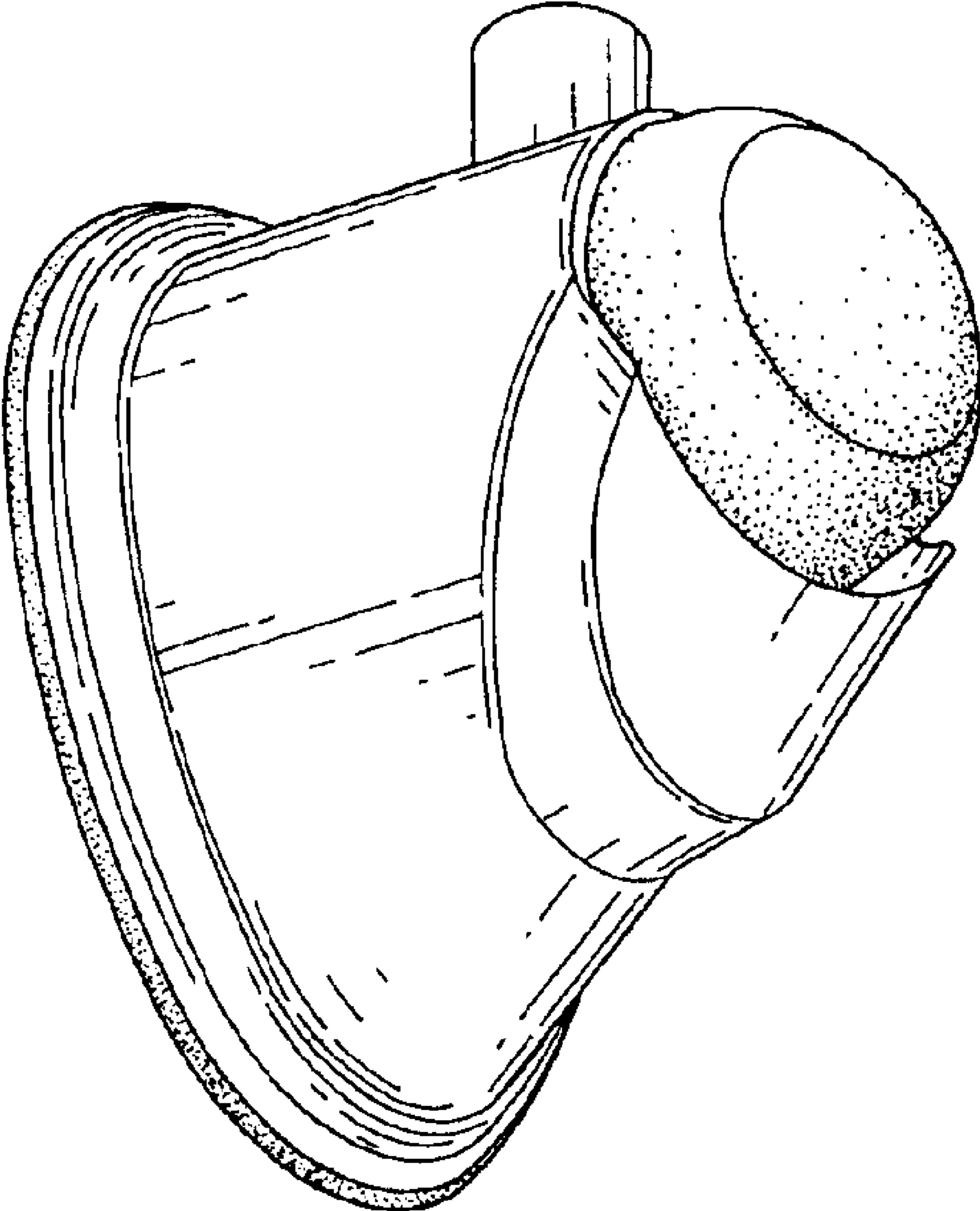


FIG. 1

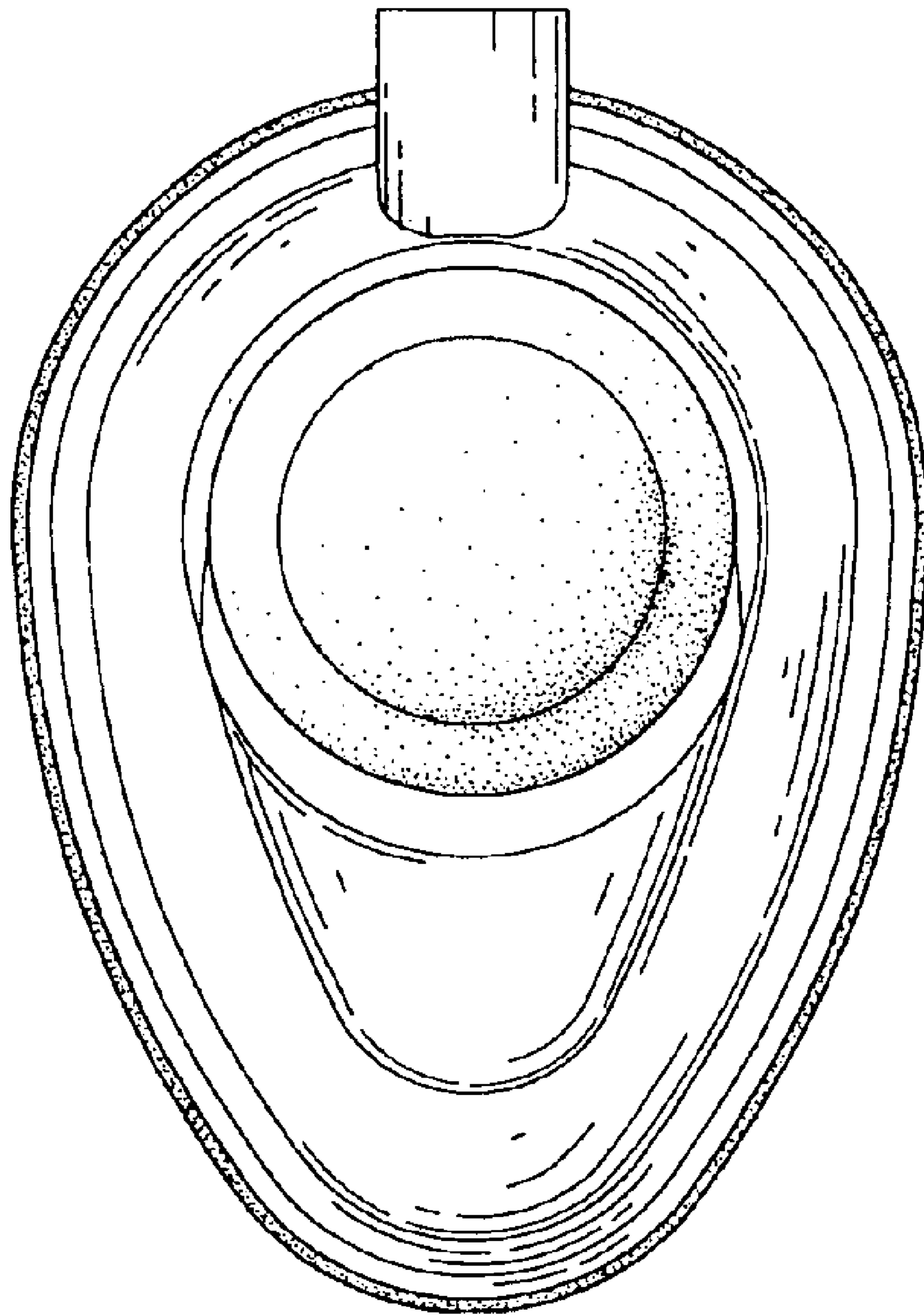


FIG. 2

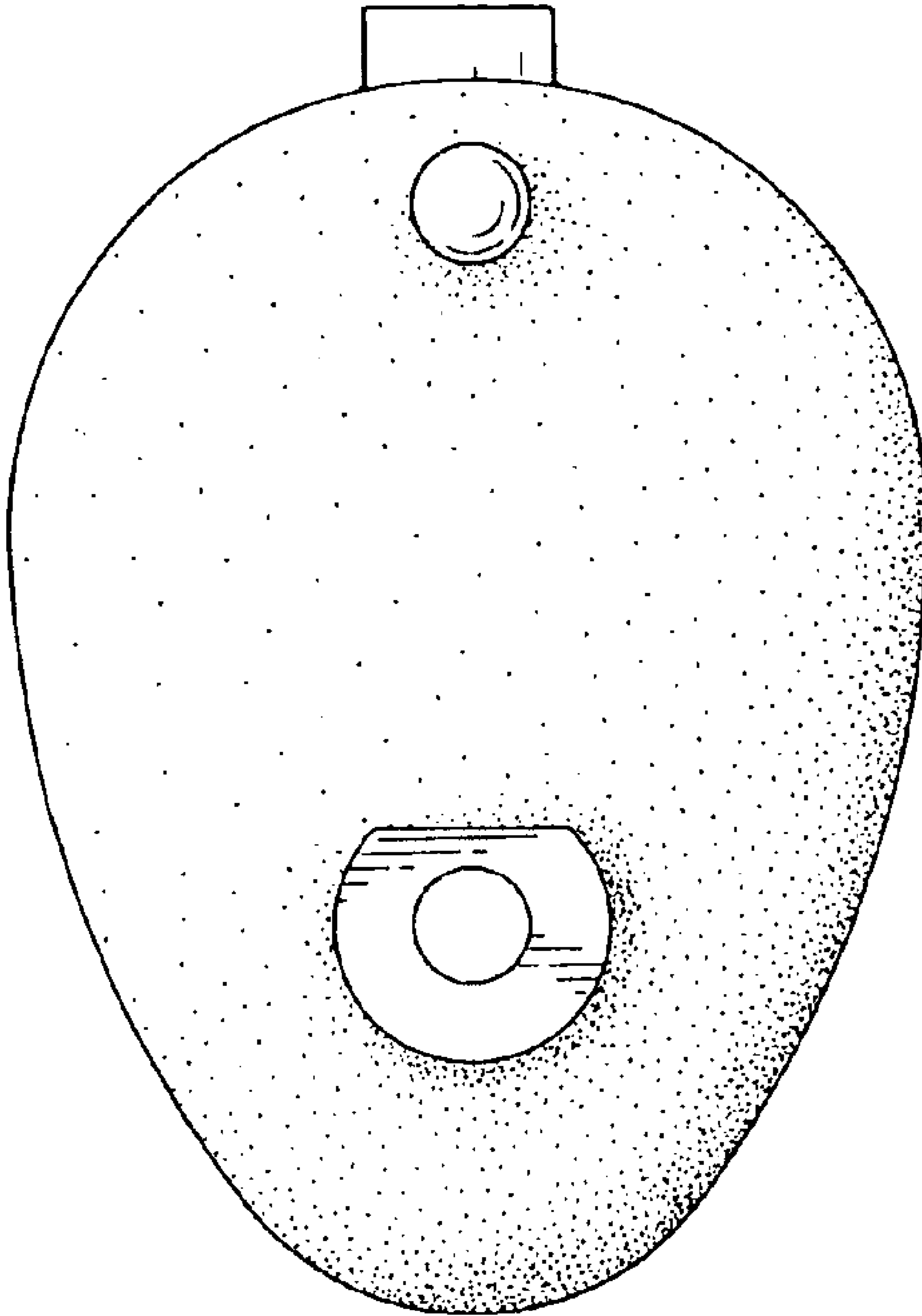


FIG. 3

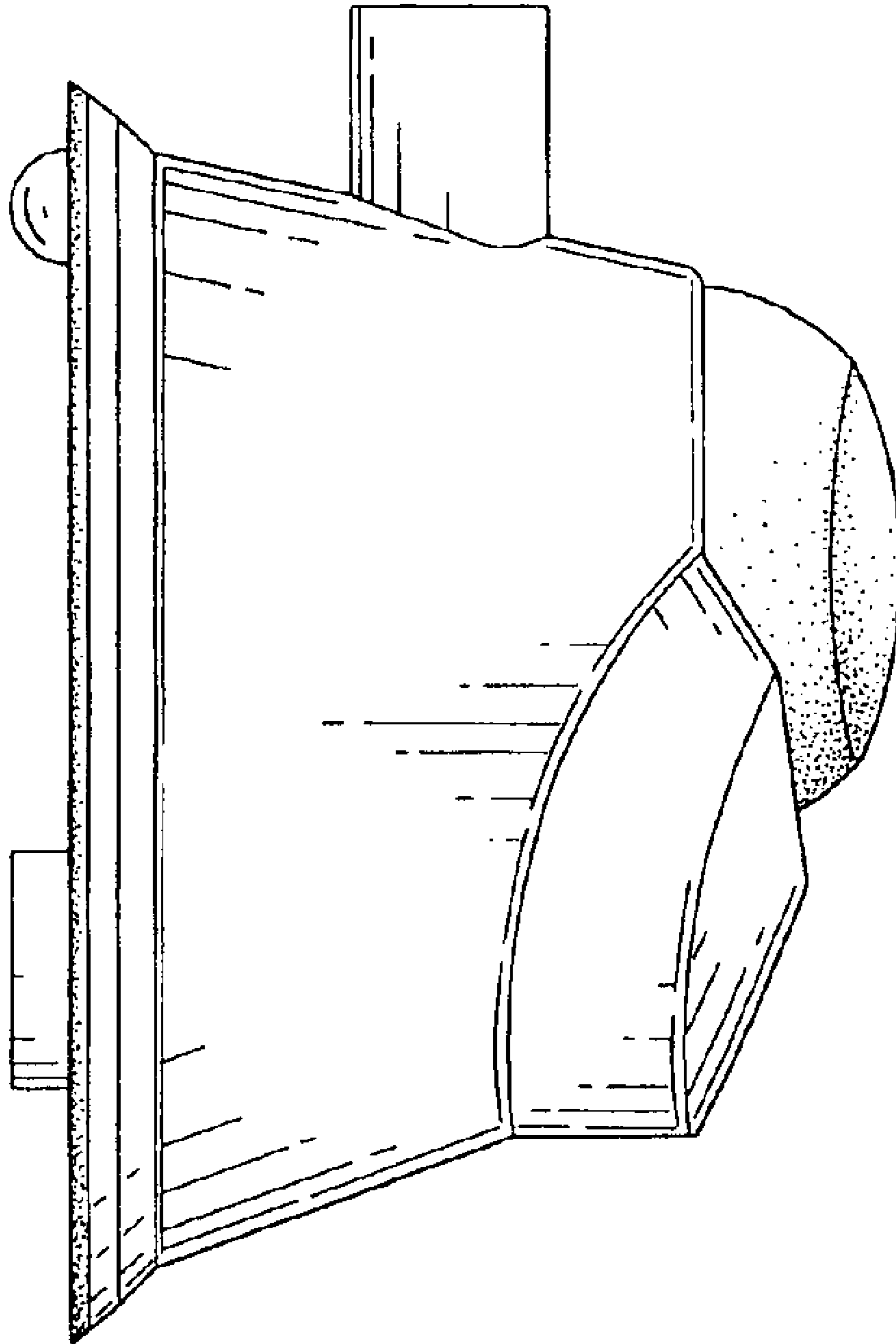


FIG. 4

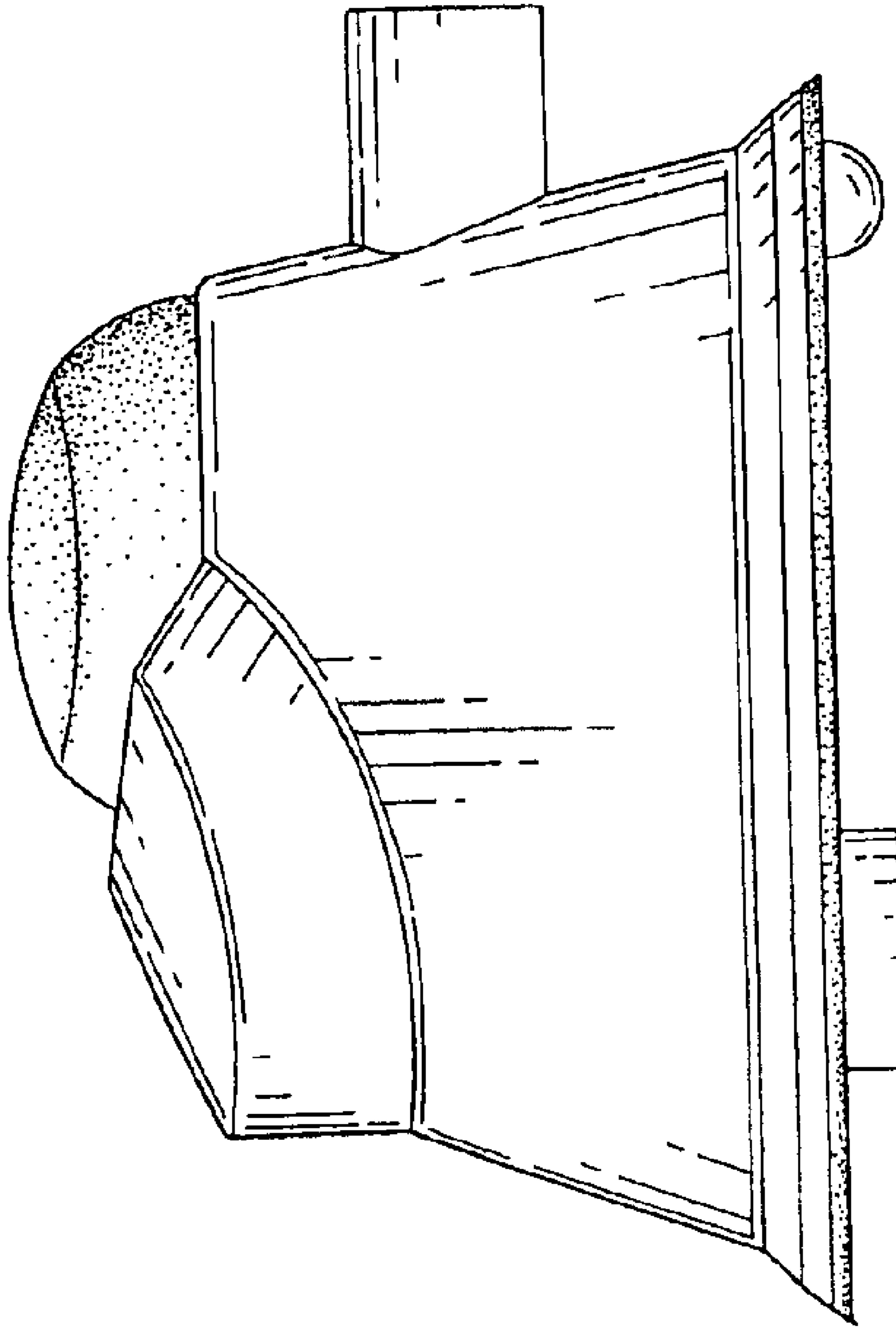


FIG. 5

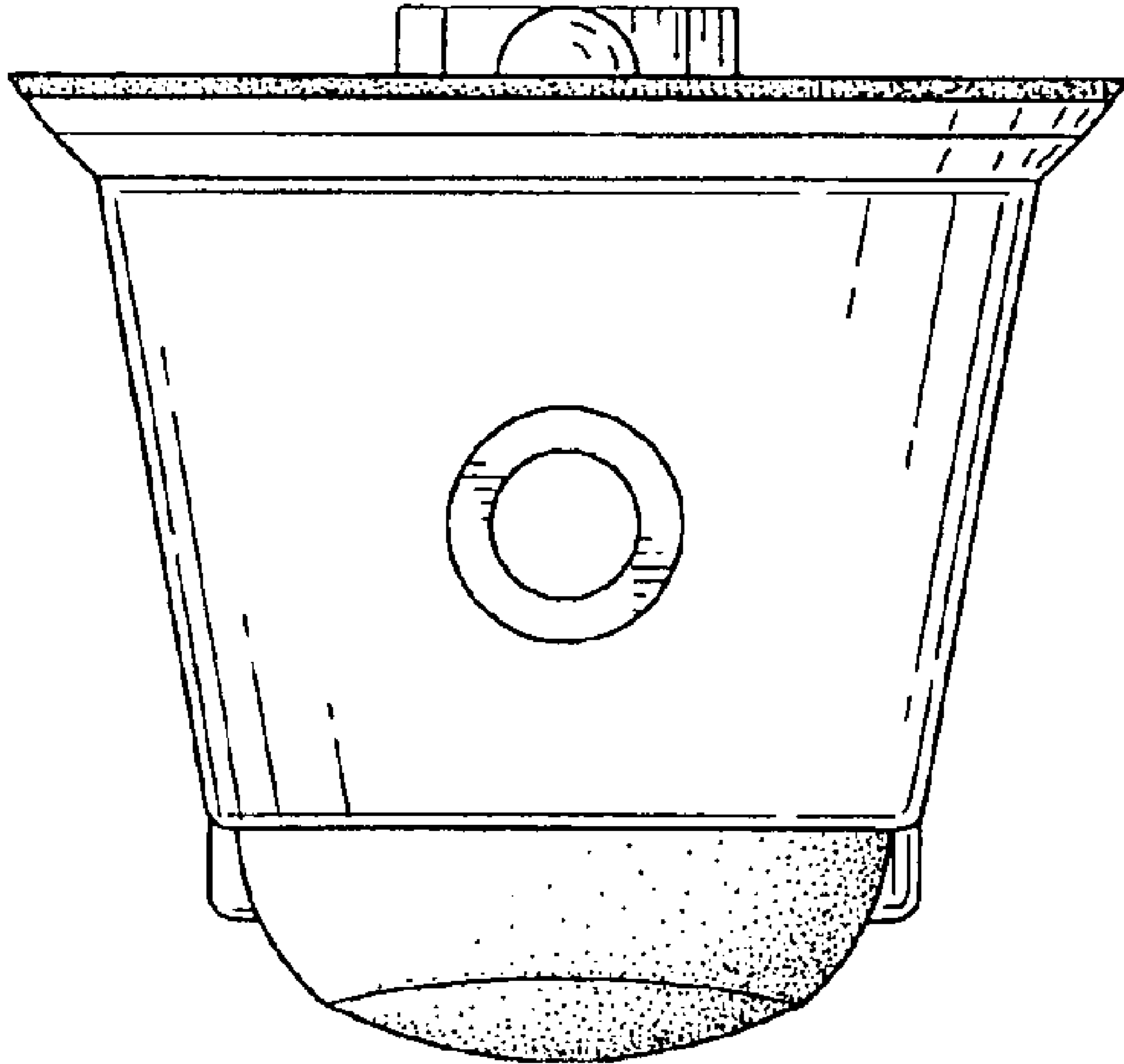


FIG. 6

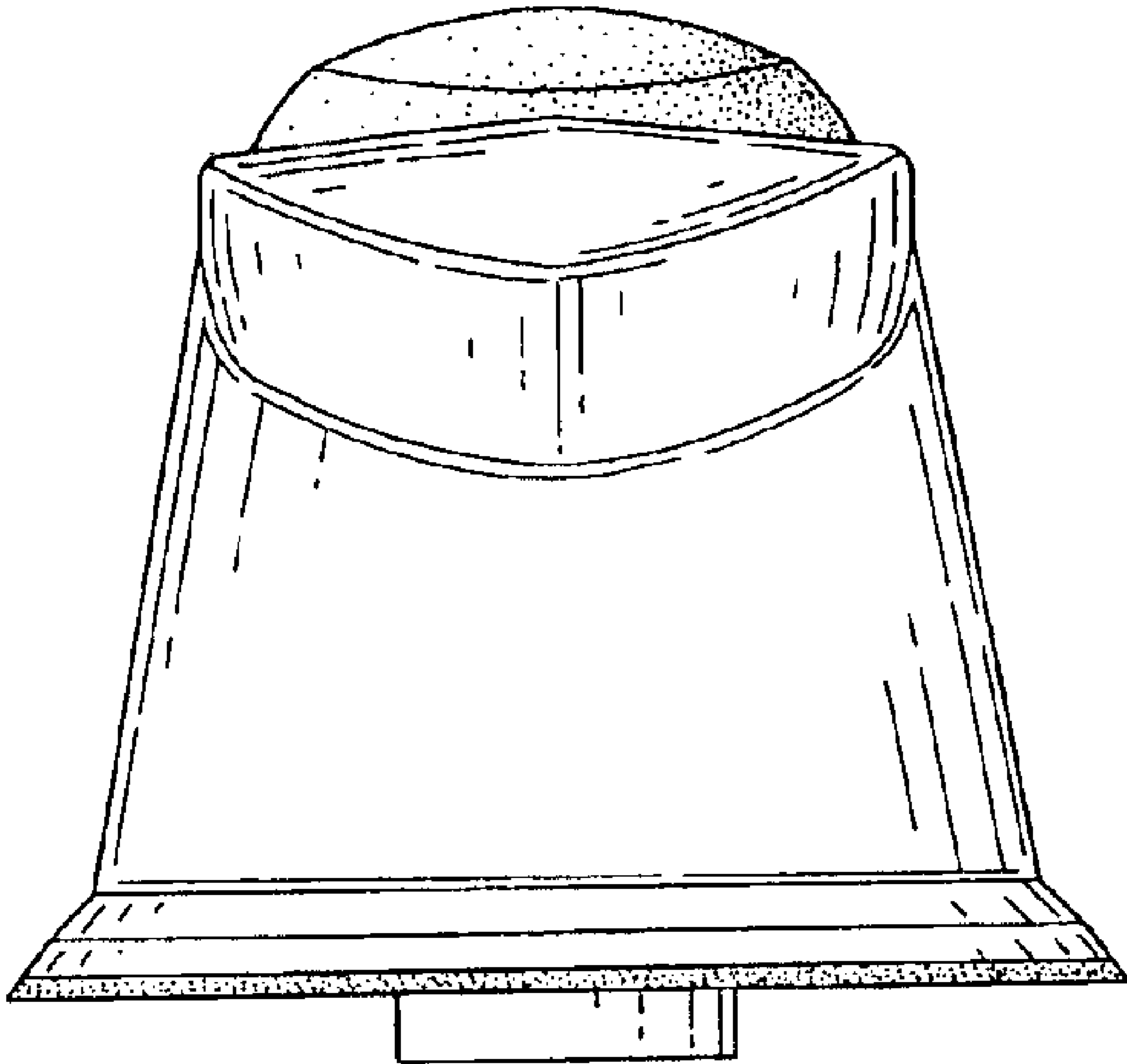


FIG. 7

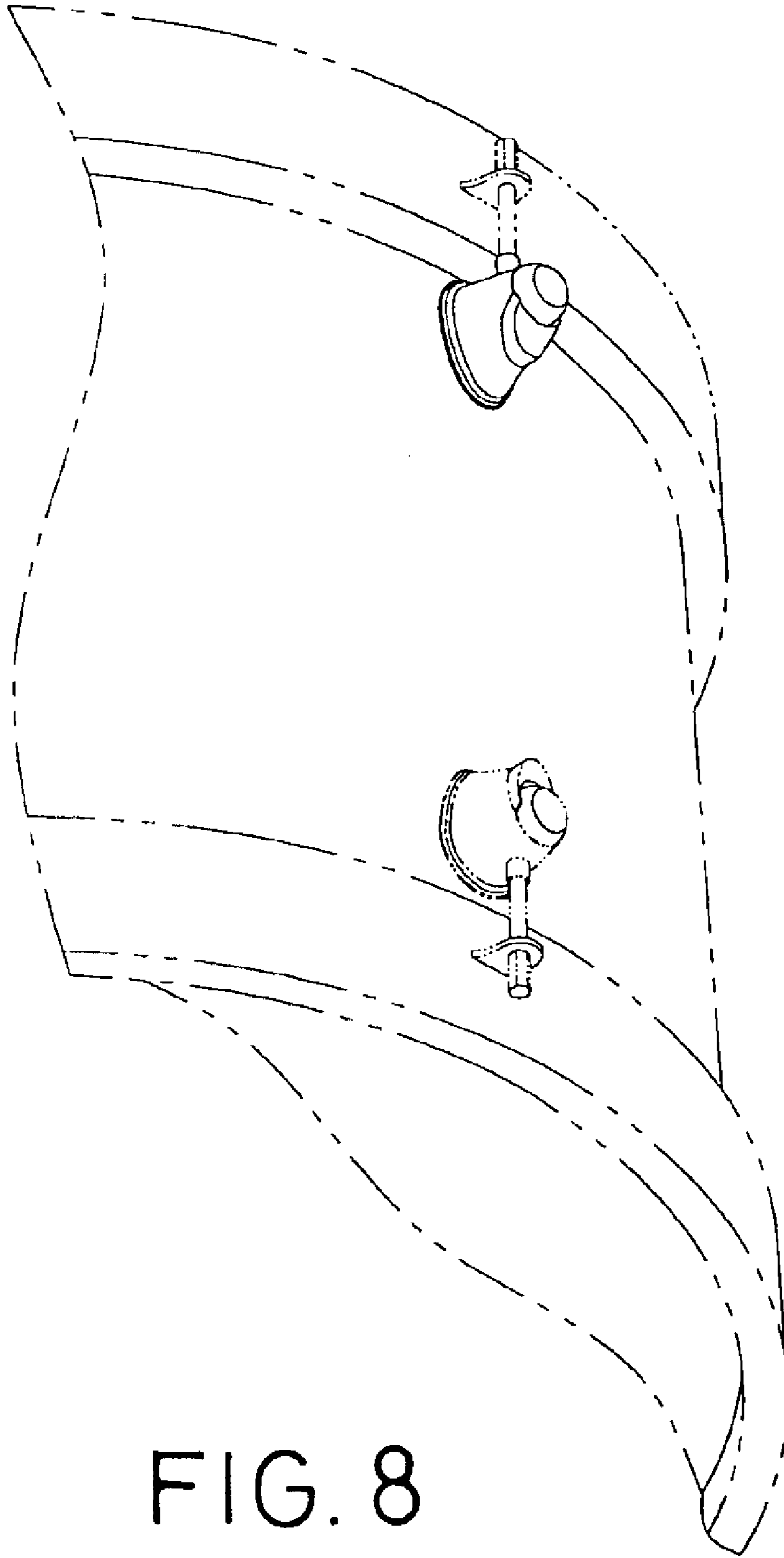


FIG. 8