

US00D534565S

(12) **United States Design Patent**  
**Sadatsuki**

(10) **Patent No.:** **US D534,565 S**

(45) **Date of Patent:** **\*\* Jan. 2, 2007**

(54) **VIDEO CAMERA**

(75) Inventor: **Koichi Sadatsuki**, Tokyo (JP)

(73) Assignee: **Sony Corporation**, Tokyo (JP)

(\*\*) Term: **14 Years**

(21) Appl. No.: **29/233,026**

(22) Filed: **Jun. 28, 2005**

(30) **Foreign Application Priority Data**

Dec. 28, 2004 (JP) ..... D2004-040412

(51) **LOC (8) Cl.** ..... **16-01**

(52) **U.S. Cl.** ..... **D16/202**

(58) **Field of Classification Search** ..... D16/200–206,  
D16/208, 218; 348/373–376; 358/906, 909.1;  
396/535–541

See application file for complete search history.

(56) **References Cited**

**U.S. PATENT DOCUMENTS**

D356,589 S	*	3/1995	Sumita	.....	D16/202
5,499,052 A	*	3/1996	Nakanishi et al.	.....	348/373
D423,541 S	*	4/2000	Ohwada	.....	D16/202
D435,574 S		12/2000	Miyashita		
D463,467 S		9/2002	Sumita		
D487,763 S	*	3/2004	Miyashita	.....	D16/202
D496,061 S		9/2004	Hayashi		
D499,438 S	*	12/2004	Shimizu	.....	D16/202

D500,512 S		1/2005	Hayashi		
D500,776 S	*	1/2005	Miyashita	.....	D16/202
D502,478 S	*	3/2005	Iinuma et al.	.....	D16/202
D516,600 S	*	3/2006	Tsuchiya	.....	D16/202
D524,342 S	*	7/2006	Suzuki	.....	D16/202

**OTHER PUBLICATIONS**

Web page “DCR–DVD203” <http://www.sony.jp/products/Consumer/handycam/PRODUCTS/DCR–DVD203/>, 1 sheet, Sony Marketing (May 2005).

\* cited by examiner

*Primary Examiner*—Adir Aronovich

(74) *Attorney, Agent, or Firm*—Rader, Fishman & Grauer PLLC

(57) **CLAIM**

The ornamental design for a video camera, as shown.

**DESCRIPTION**

FIG. 1 is a perspective view of a video camera showing my new design;

FIG. 2 is a front elevational view thereof;

FIG. 3 is a rear elevational view thereof;

FIG. 4 is a left side elevational view thereof;

FIG. 5 is a right side elevational view thereof;

FIG. 6 is a top plan view thereof; and,

FIG. 7 is a bottom plan view thereof.

**1 Claim, 7 Drawing Sheets**

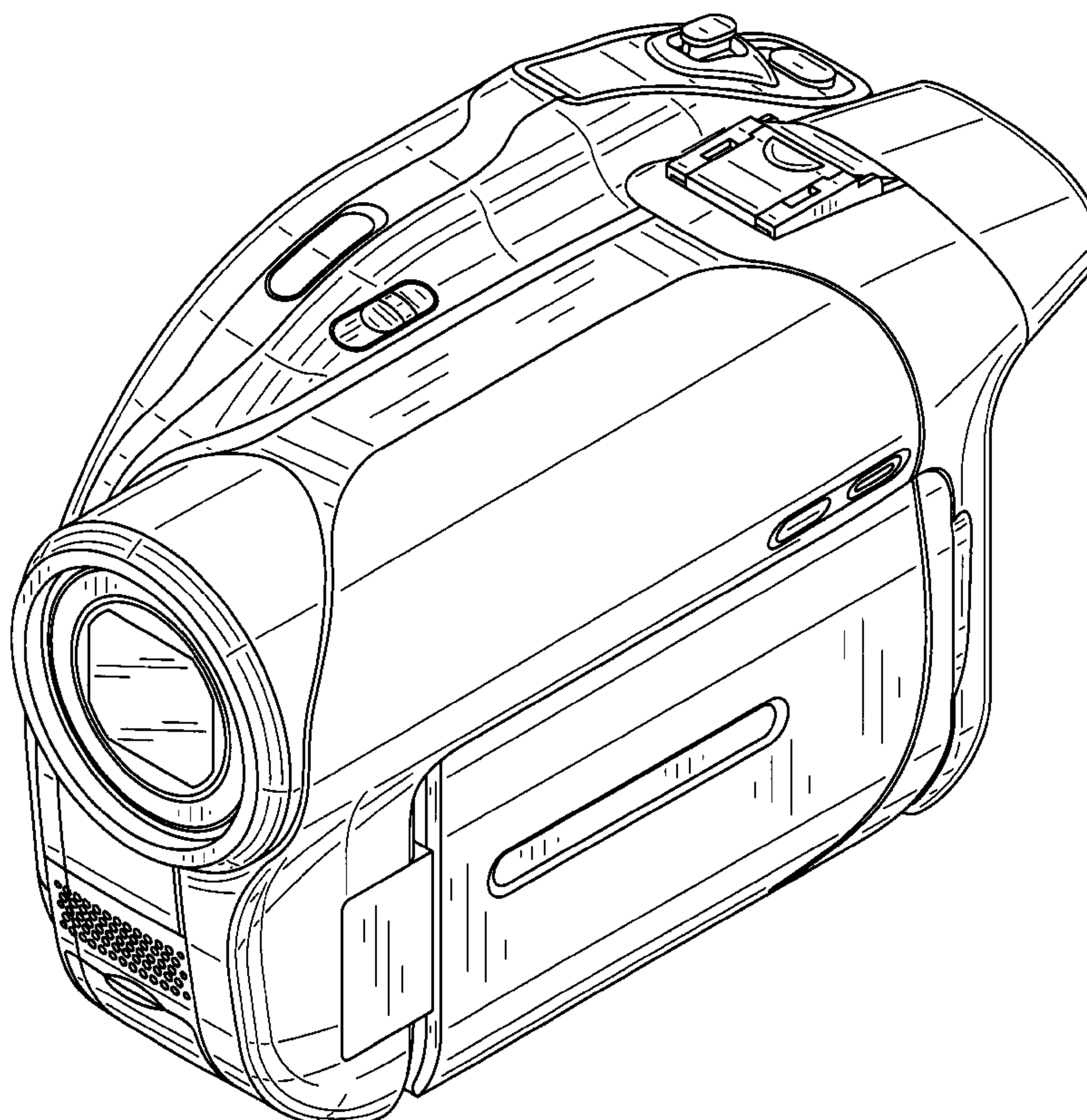


Fig. 1

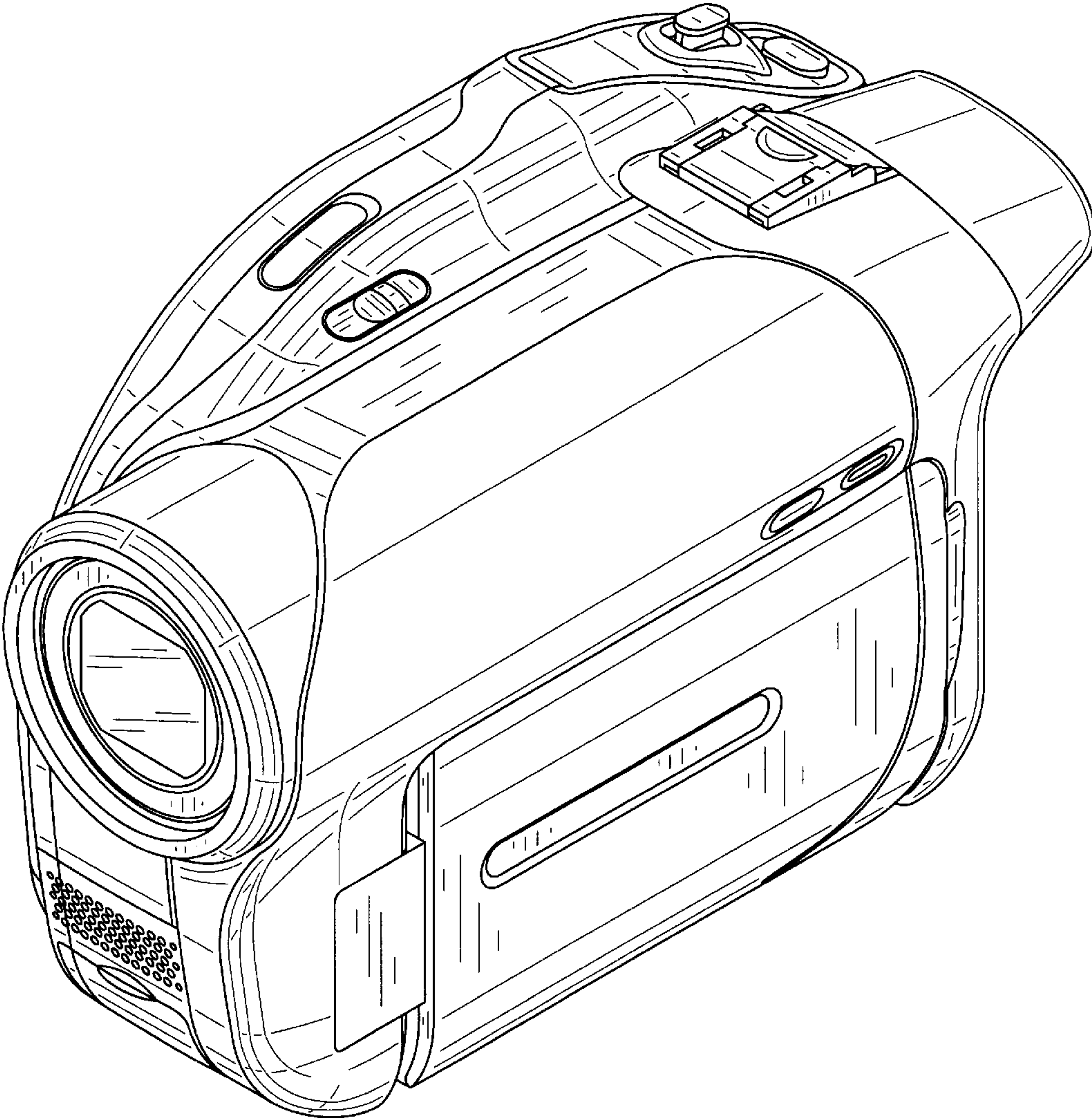


Fig.2

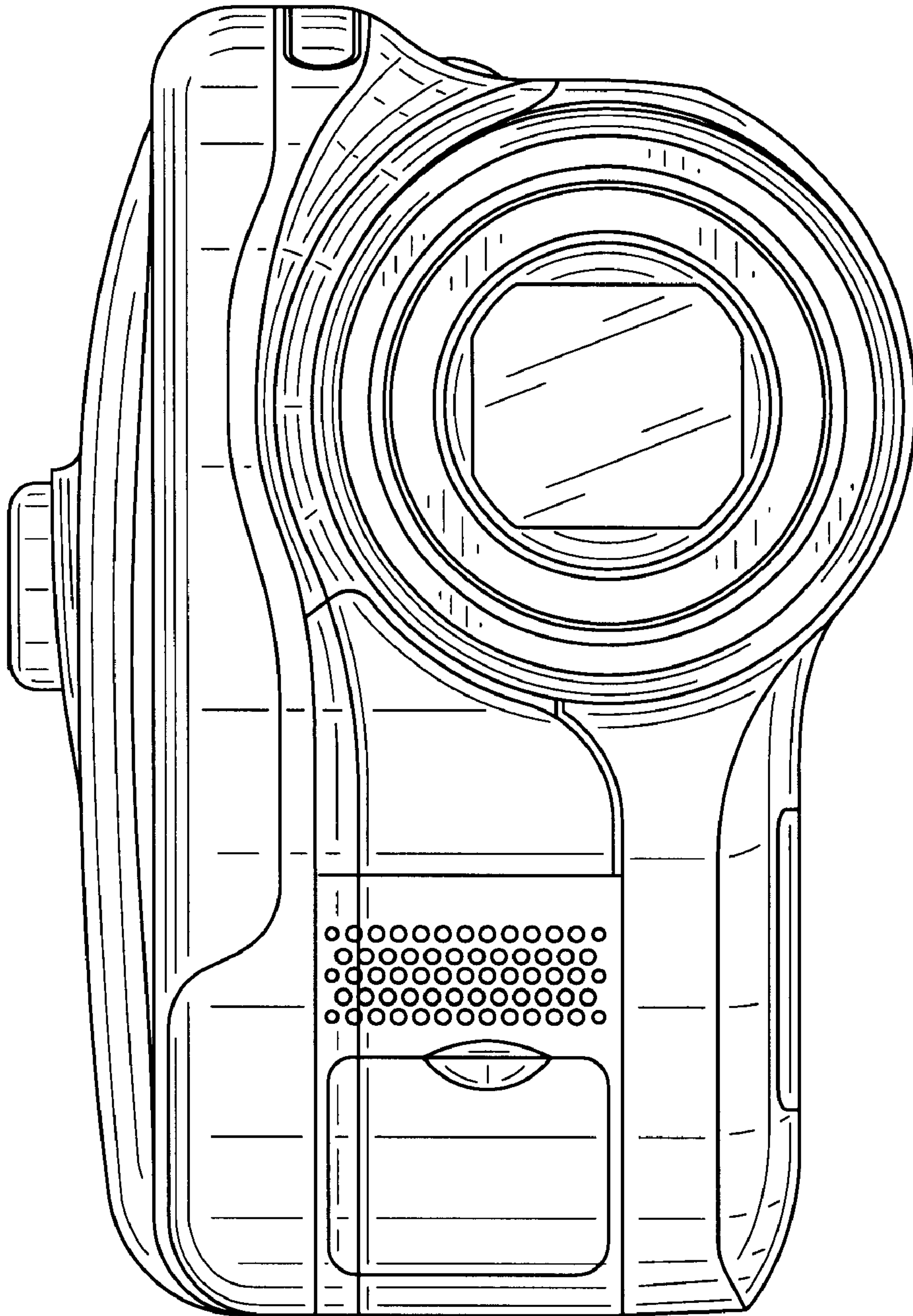




Fig.3

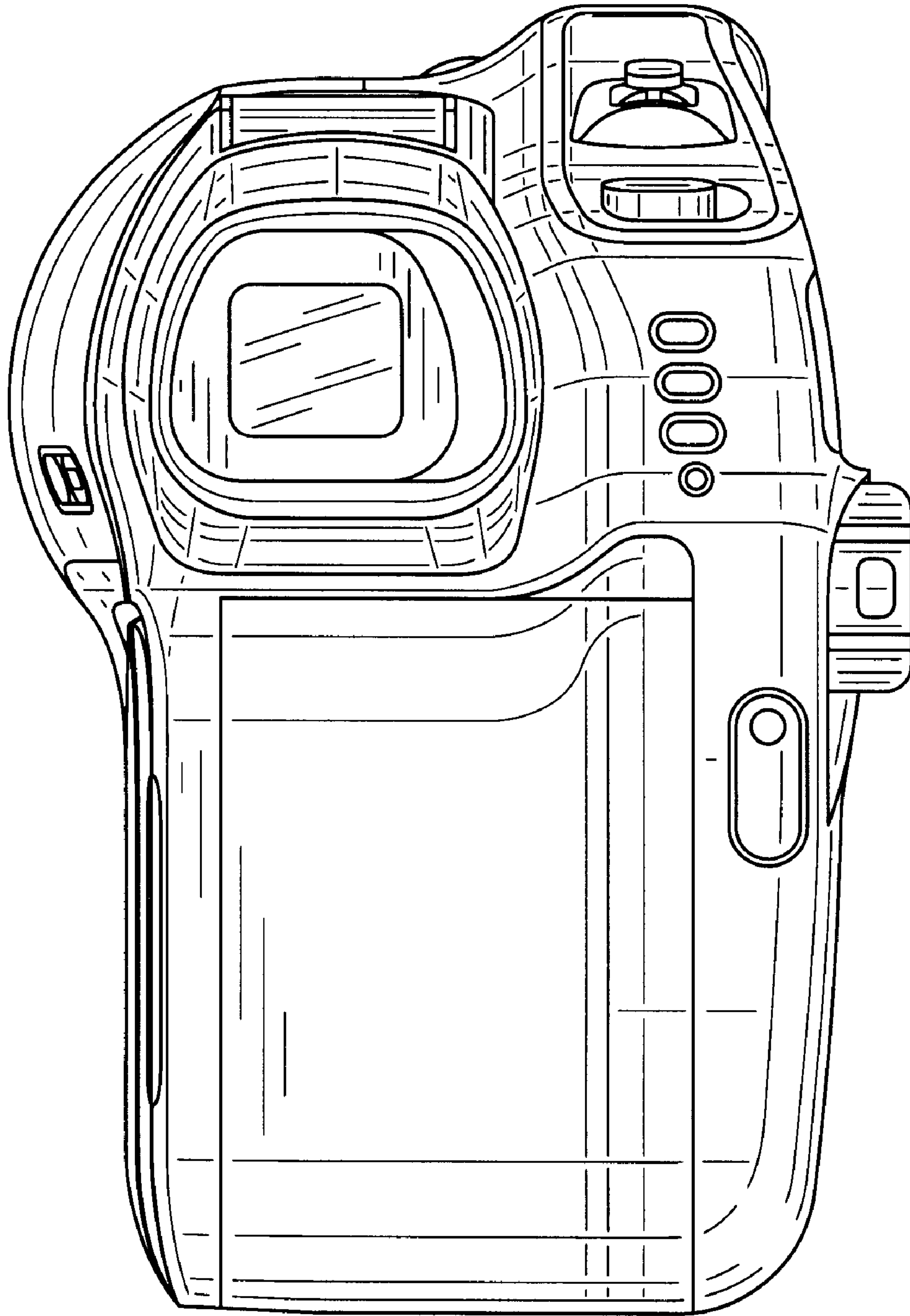


Fig. 4

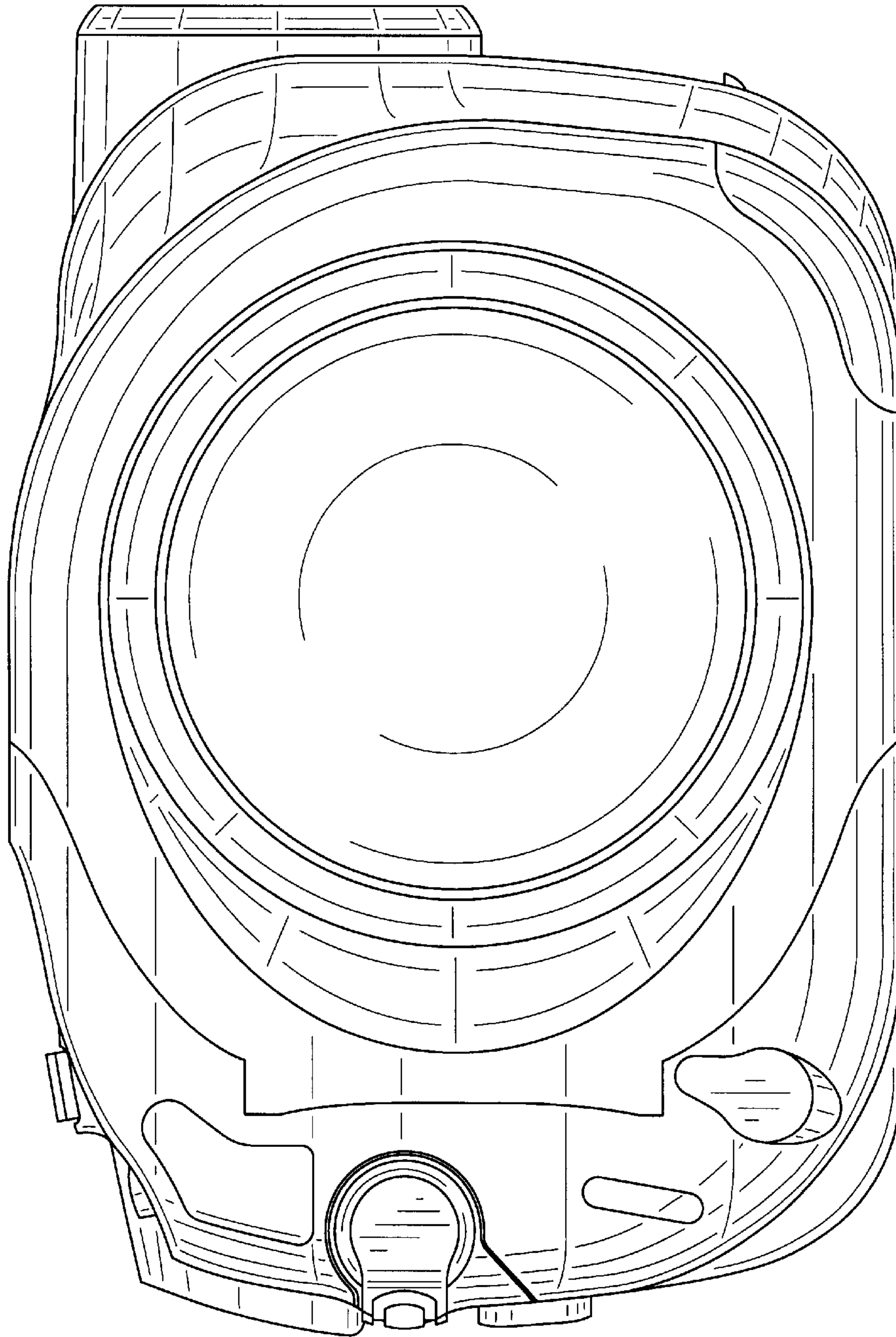


Fig.5

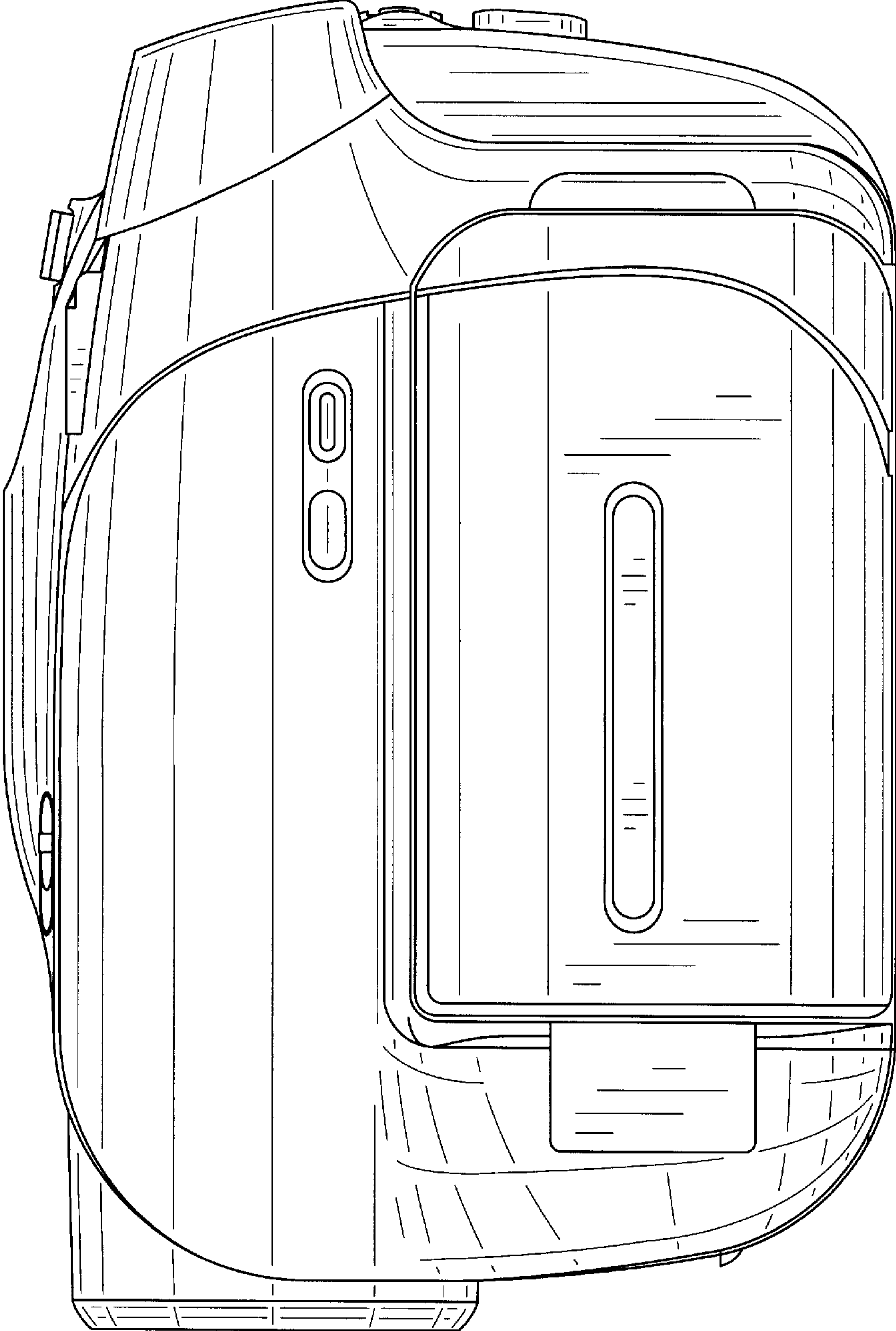


Fig.6

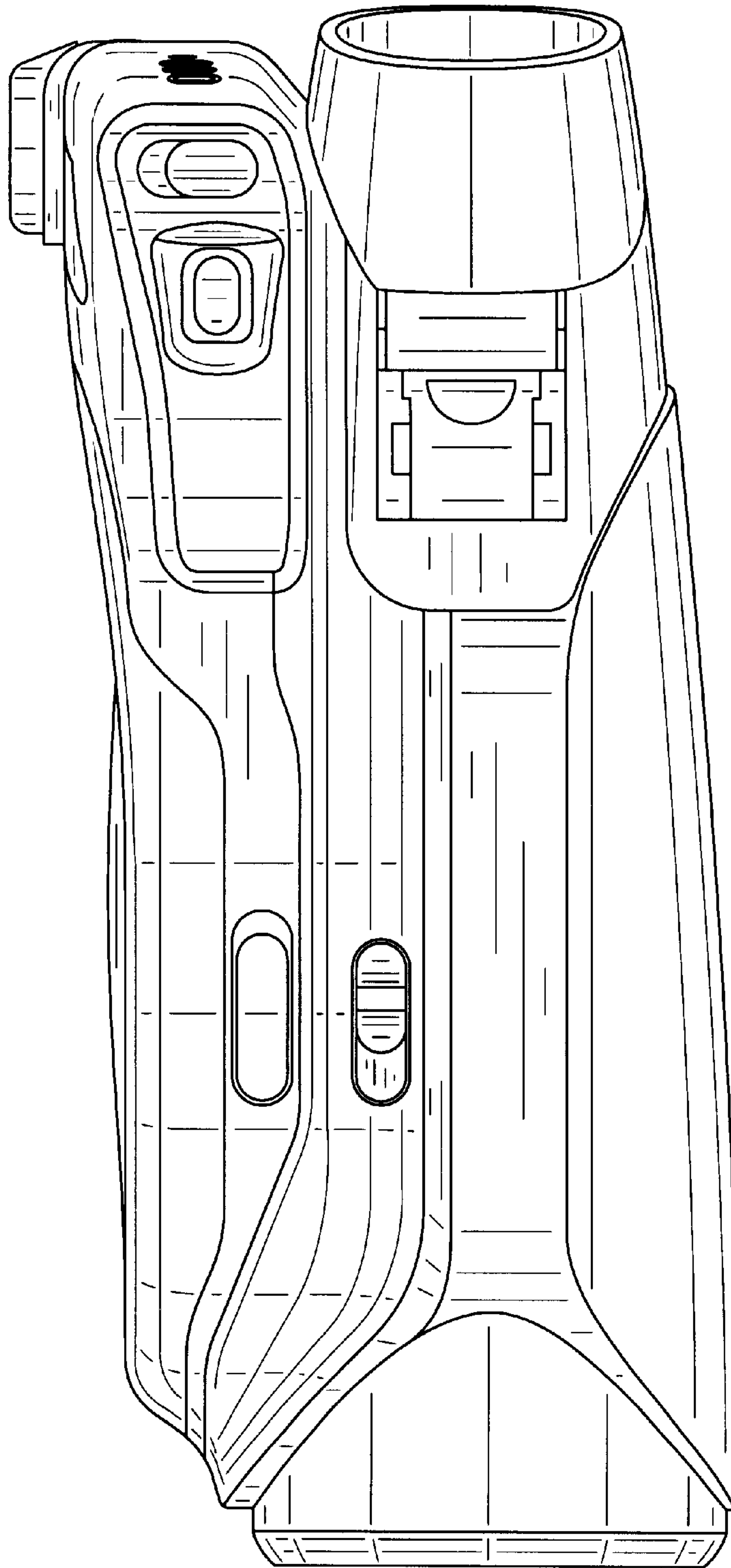


Fig.7

