



US00D534564S

(12) **United States Design Patent**
Tainaka

(10) **Patent No.:** **US D534,564 S**

(45) **Date of Patent:** **** Jan. 2, 2007**

(54) **DIGITAL CAMERA**

(75) Inventor: **Daisuke Tainaka**, Hachioji (JP)

(73) Assignee: **Olympus Imaging Corporation**, Tokyo (JP)

(**) Term: **14 Years**

(21) Appl. No.: **29/228,972**

(22) Filed: **Apr. 29, 2005**

(51) **LOC (8) Cl.** **16-01**

(52) **U.S. Cl.** **D16/202**

(58) **Field of Classification Search** D16/200–204,
D16/208, 218; 348/373–376; 358/909.1;
396/535–541

See application file for complete search history.

(56) **References Cited**

U.S. PATENT DOCUMENTS

6,434,337	B1	*	8/2002	Misawa	358/909.1
D496,060	S	*	9/2004	Nagayama	D16/202
D496,380	S	*	9/2004	Isomoto	D16/202
D503,946	S	*	4/2005	Chao et al.	D16/202
D507,586	S	*	7/2005	Nakamura	D16/202
D516,599	S	*	3/2006	Nakamura	D16/202
D519,142	S	*	4/2006	Meguro	D16/202

* cited by examiner

Primary Examiner—Adir Aronovich

(74) *Attorney, Agent, or Firm*—Hogan & Hartson LLP

(57) **CLAIM**

The ornamental design for a digital camera, as shown and described.

DESCRIPTION

FIG. 1 is a front, top and right side perspective view of a digital camera with a lens barrel in an extended state, showing my new design;

FIG. 2 is a front, top and right side perspective view thereof with a lens barrel in a closed state;

FIG. 3 is a rear, top and left side perspective view thereof;

FIG. 4 is a front elevational view thereof with a lens barrel in a closed state.

FIG. 5 is a rear elevational view thereof;

FIG. 6 is a top plan view thereof;

FIG. 7 is a bottom plan view thereof;

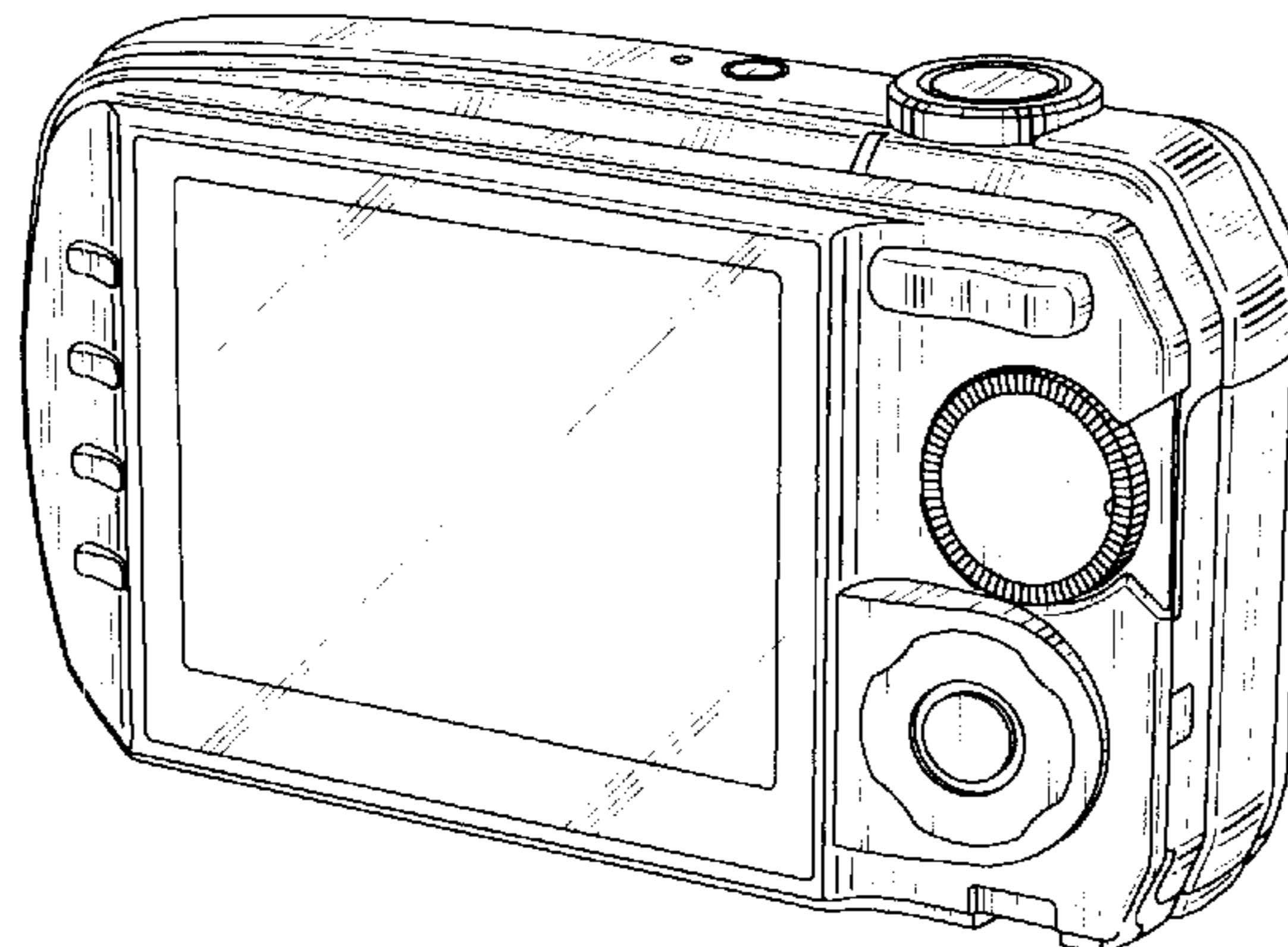
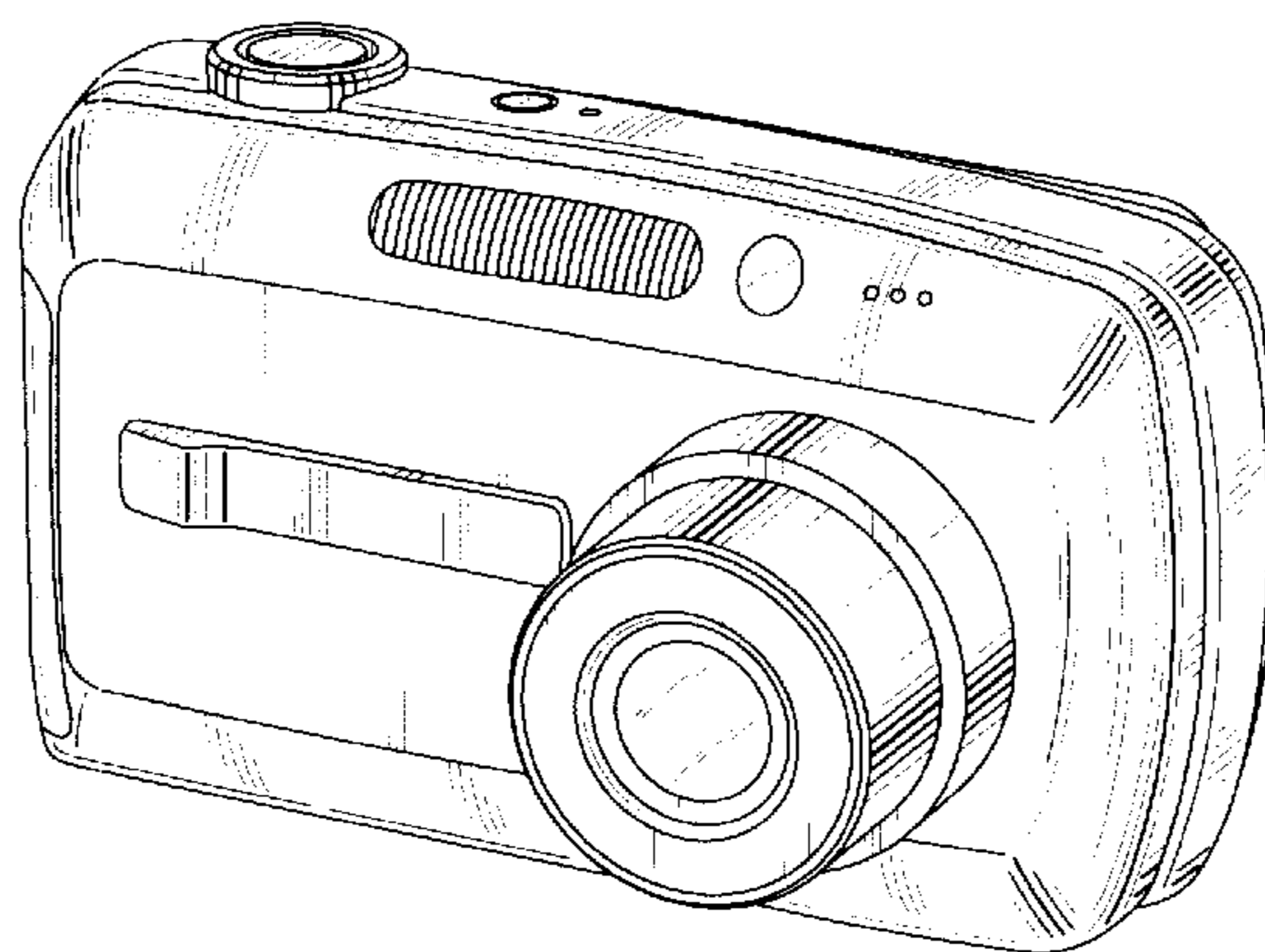
FIG. 8 is a left side elevational view thereof;

FIG. 9 is a right side elevational view thereof;

FIG. 10 is a front elevational view thereof with the lens barrel in an extended state; and,

FIG. 11 is a top plan view thereof with the lens barrel in an extended state.

1 Claim, 4 Drawing Sheets



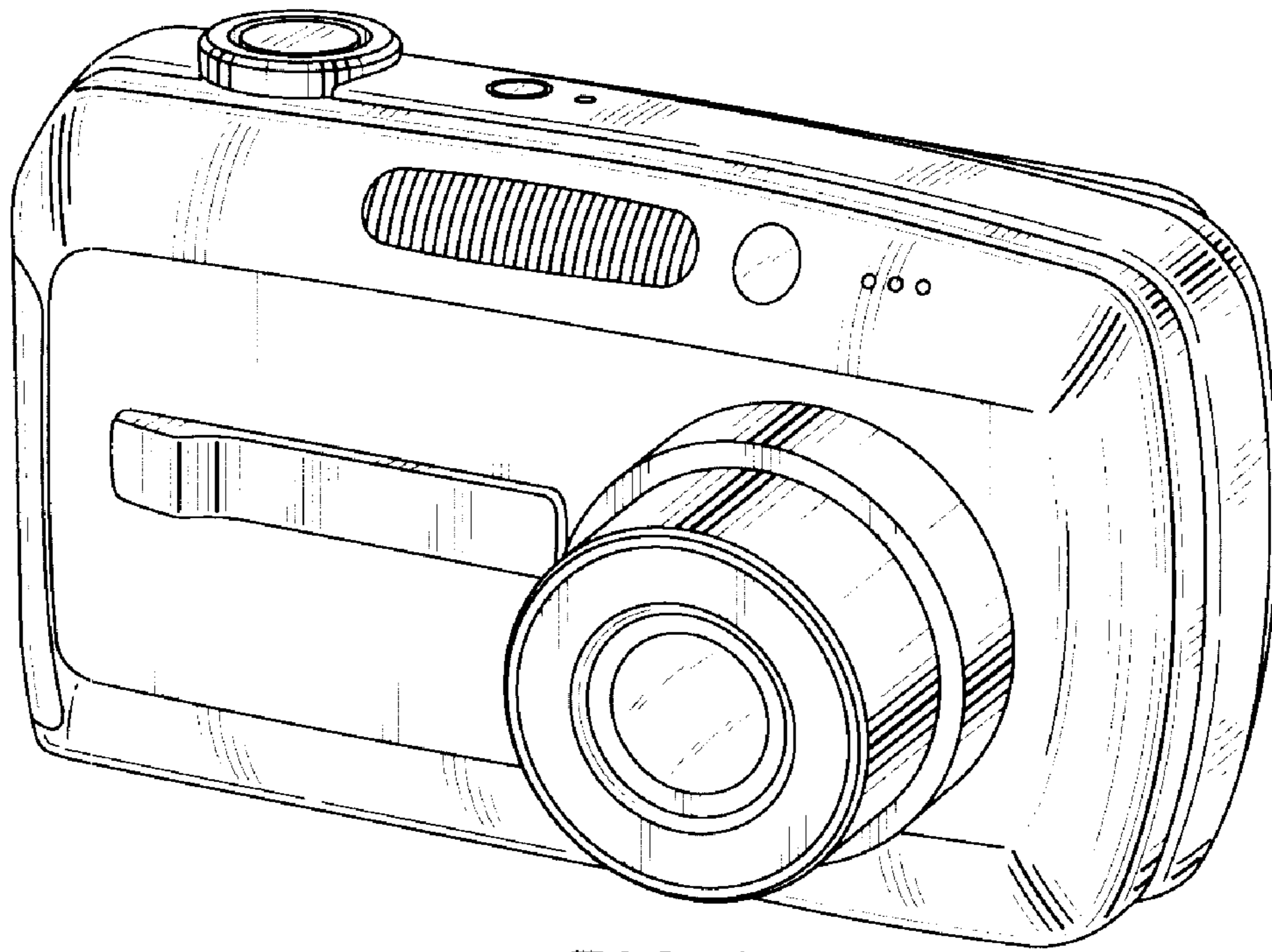


FIG. 1

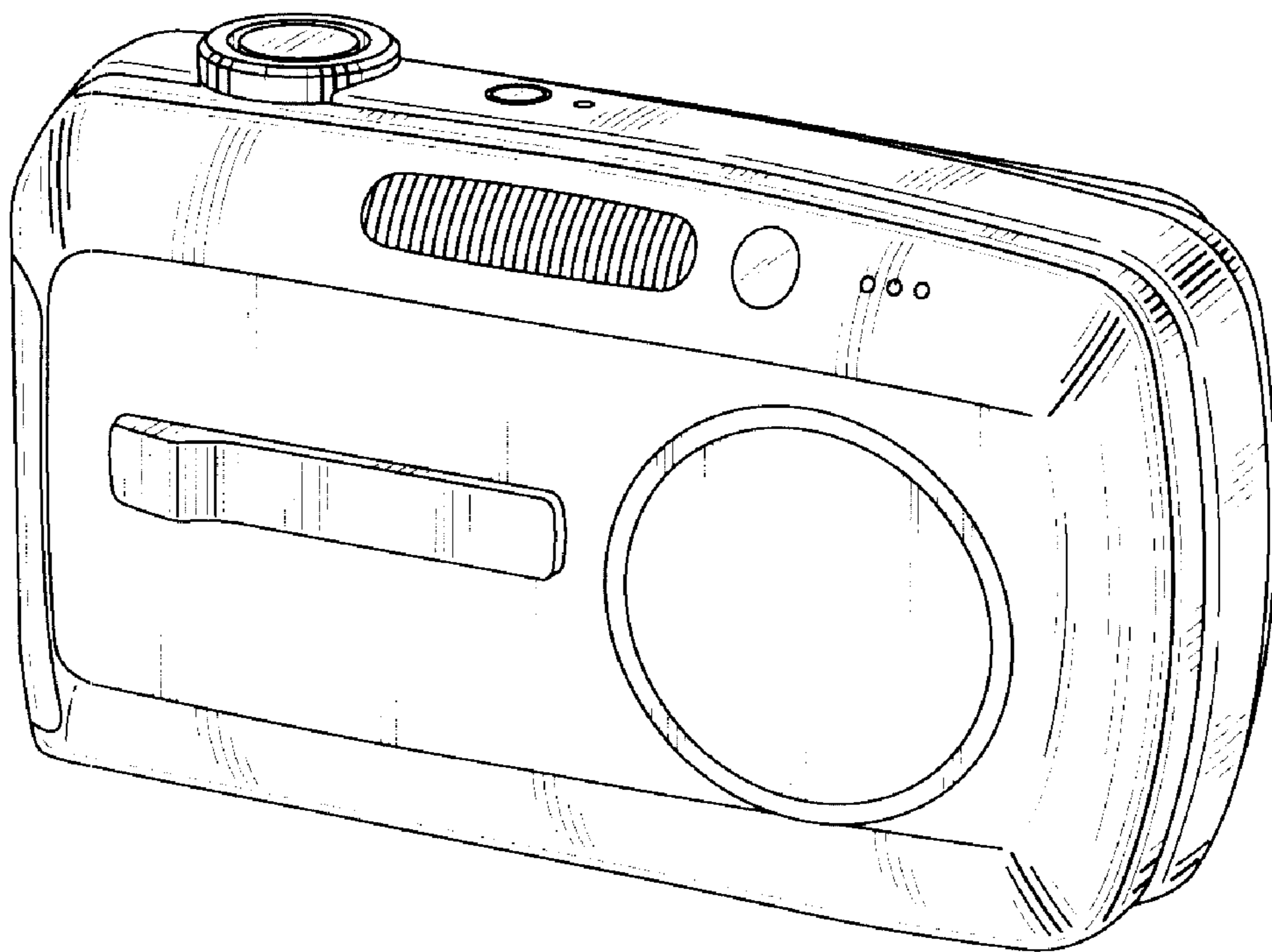


FIG. 2

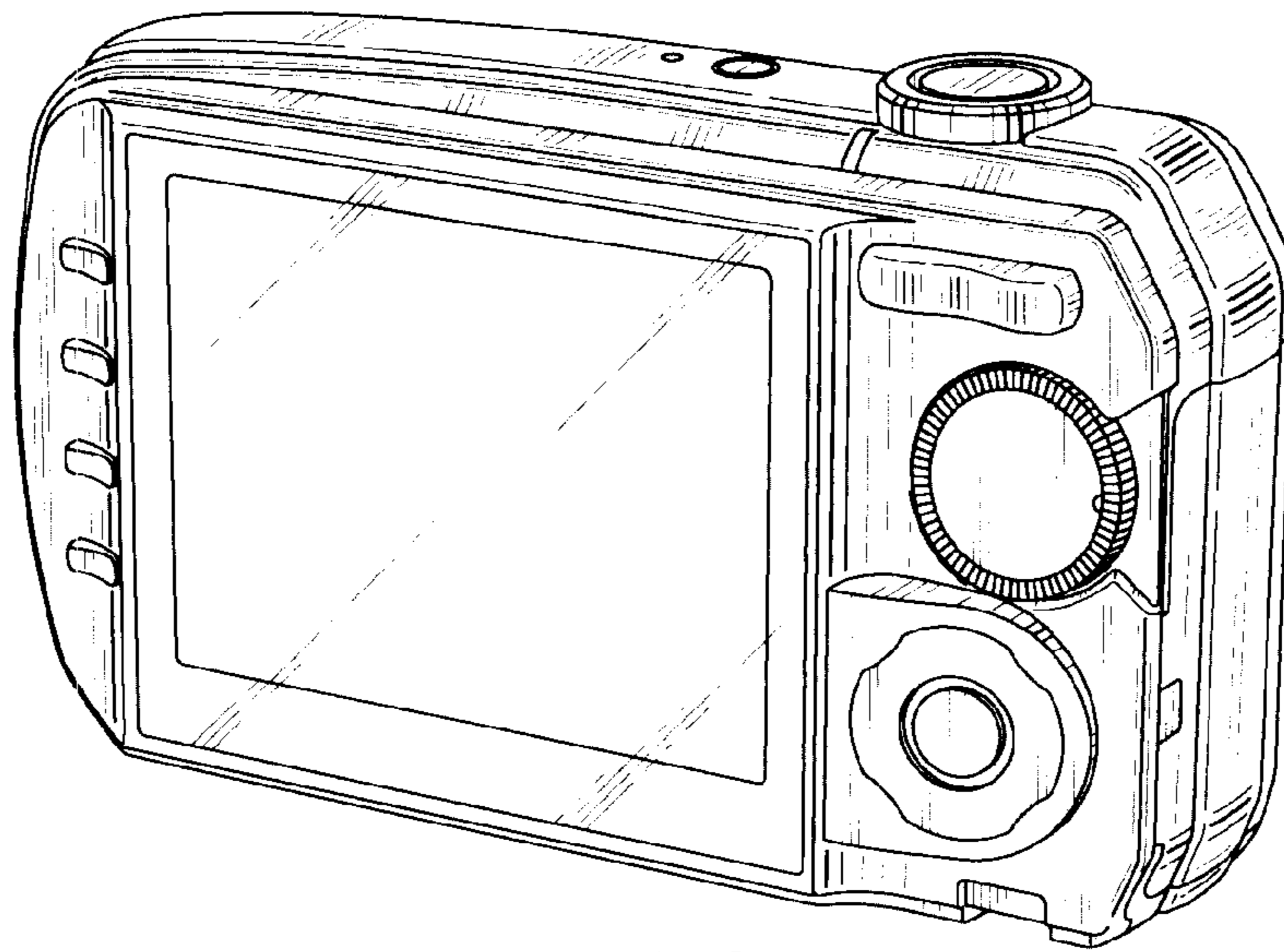


FIG. 3

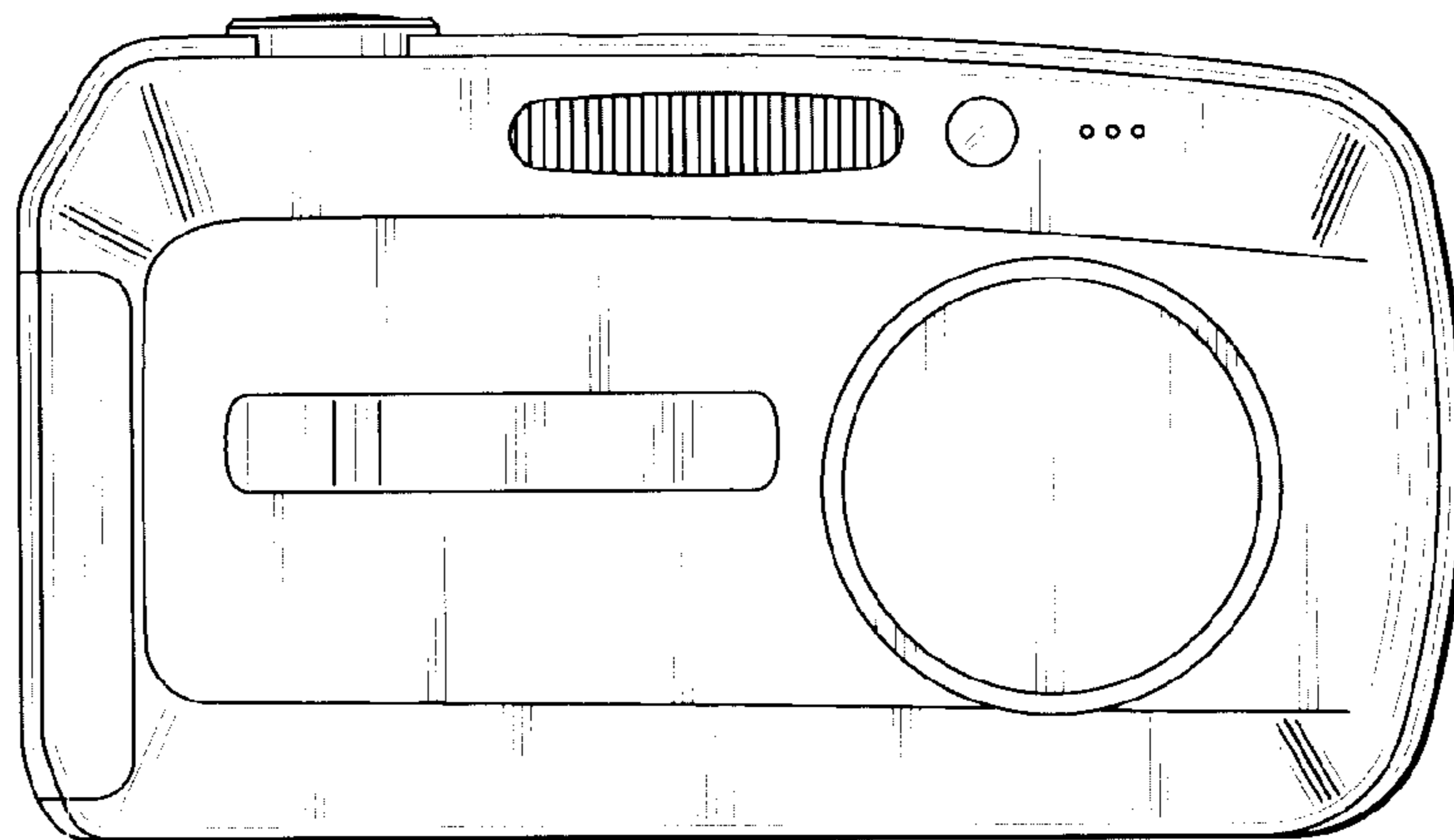


FIG. 4

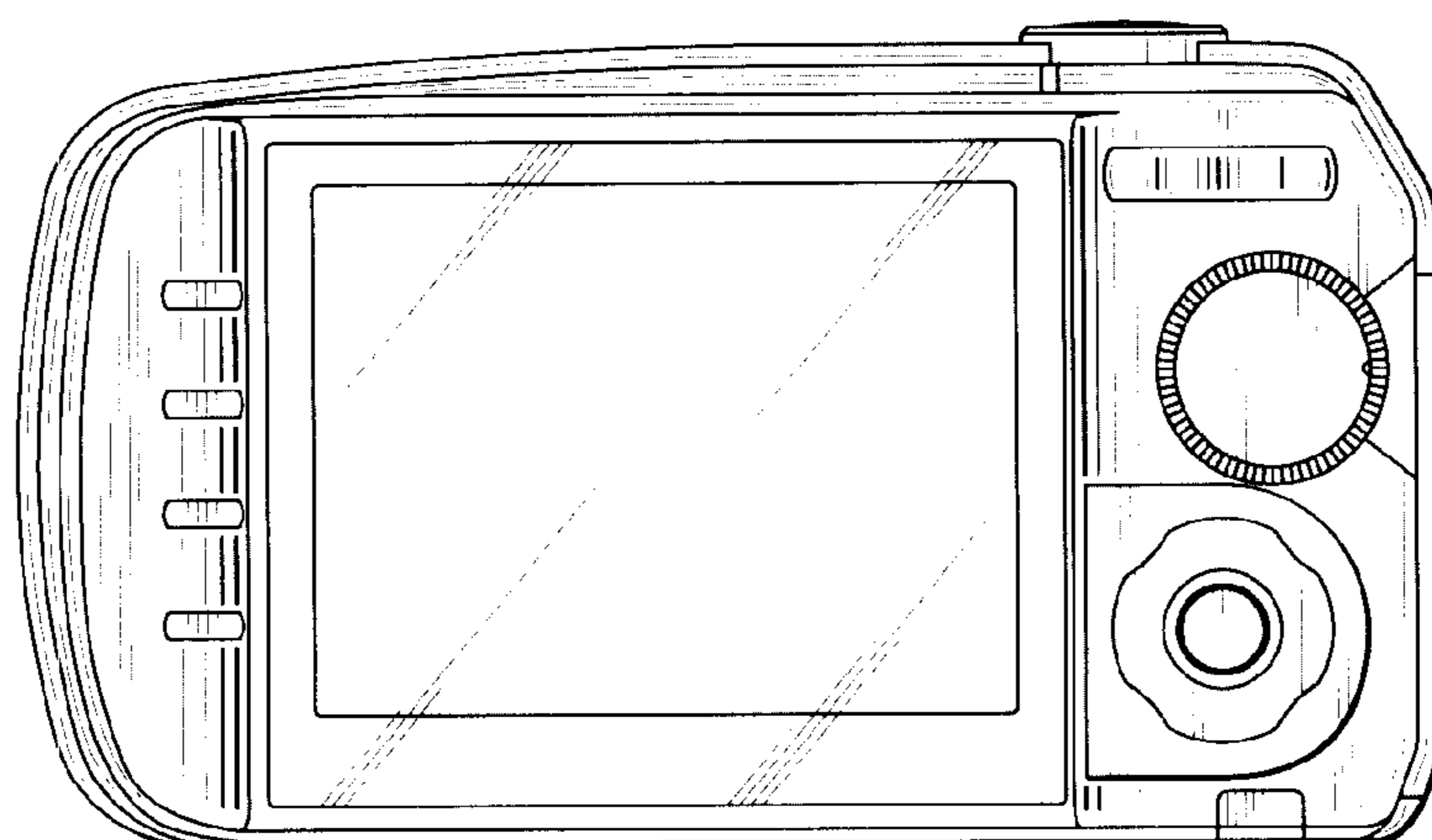


FIG. 5

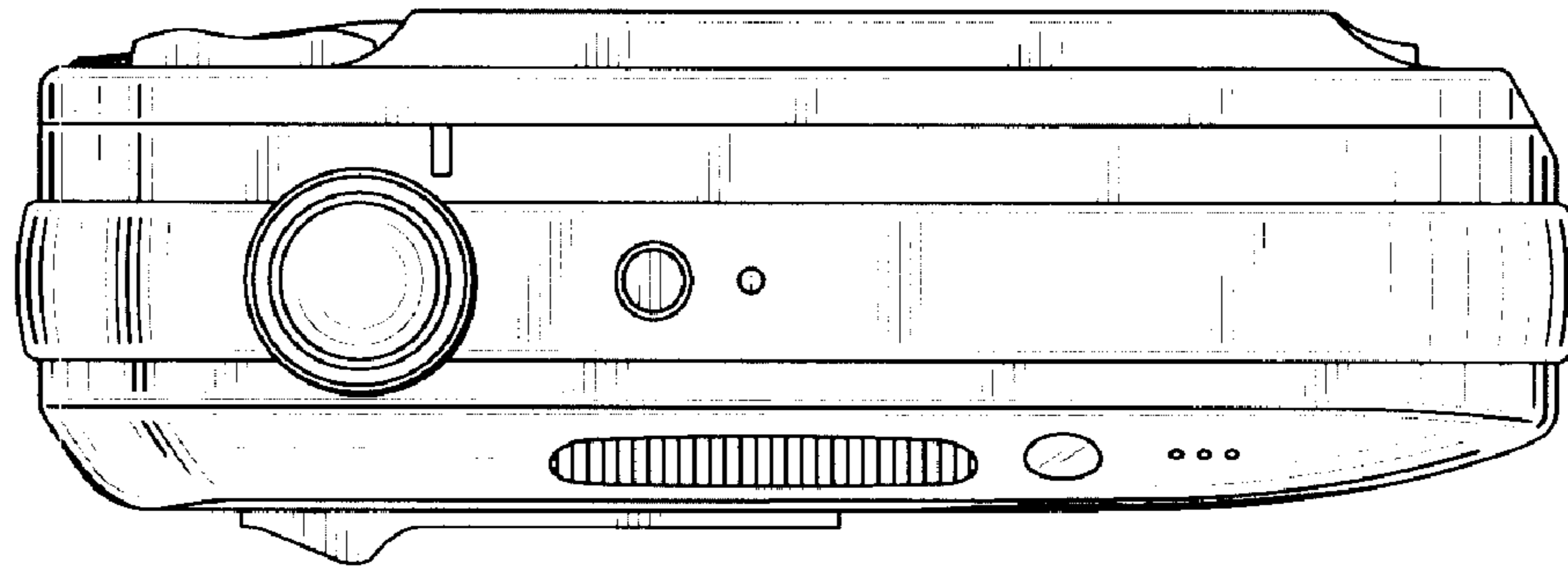


FIG. 6

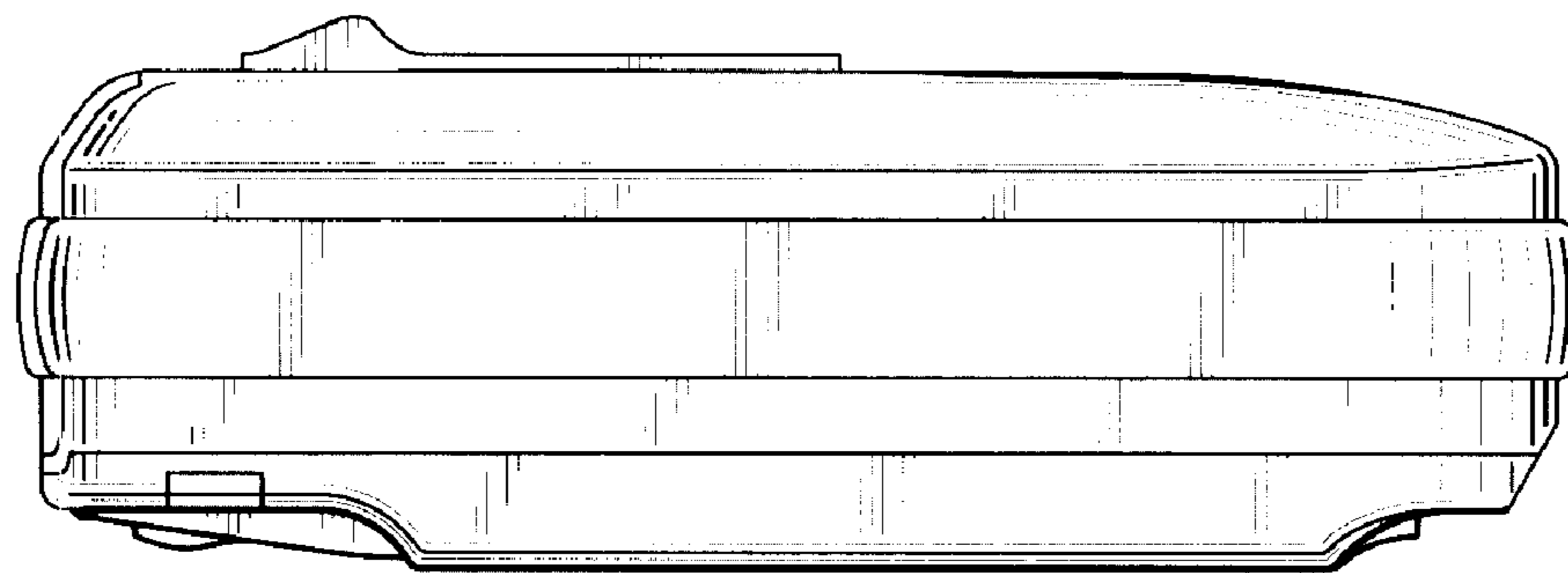


FIG. 7

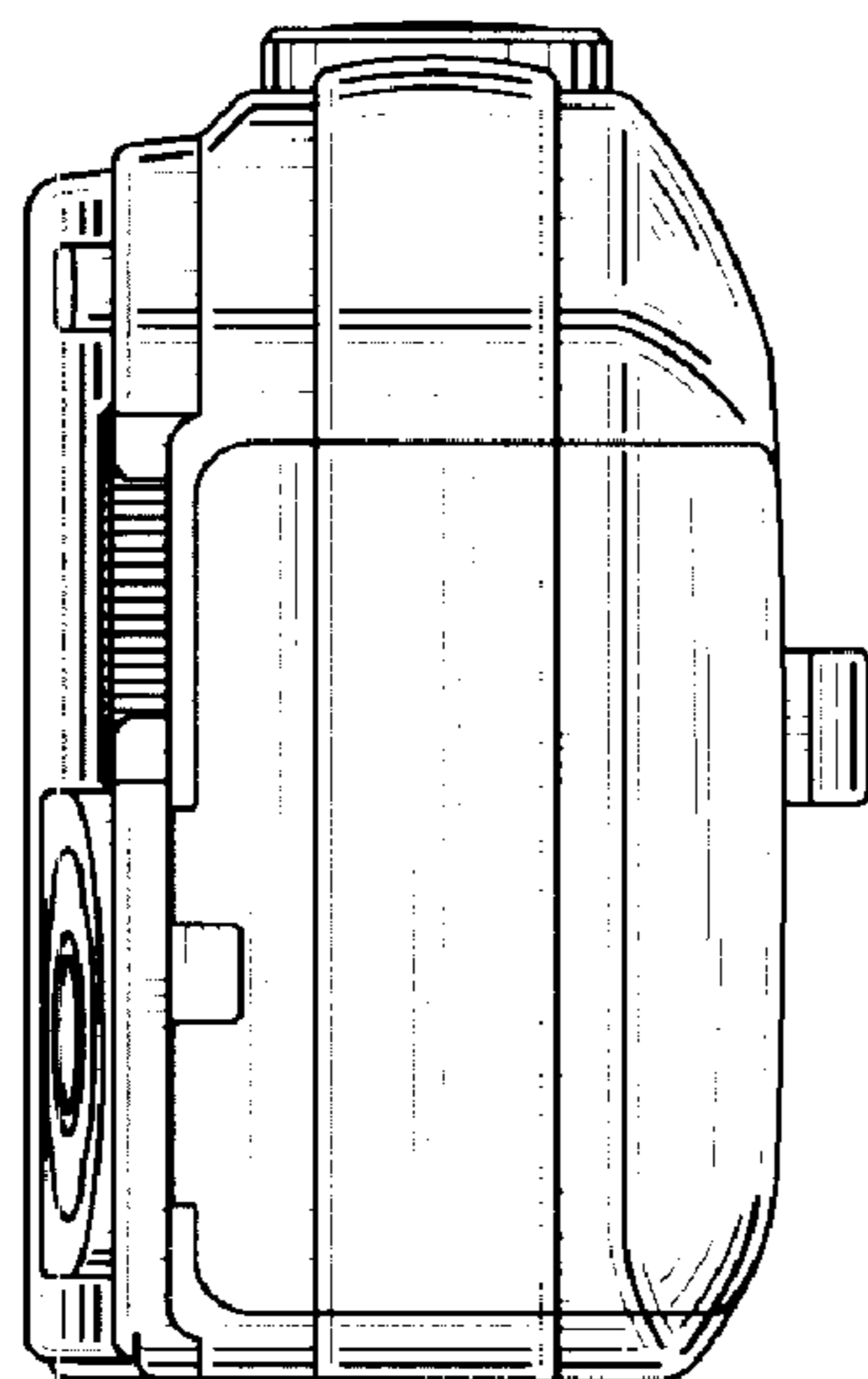


FIG. 8

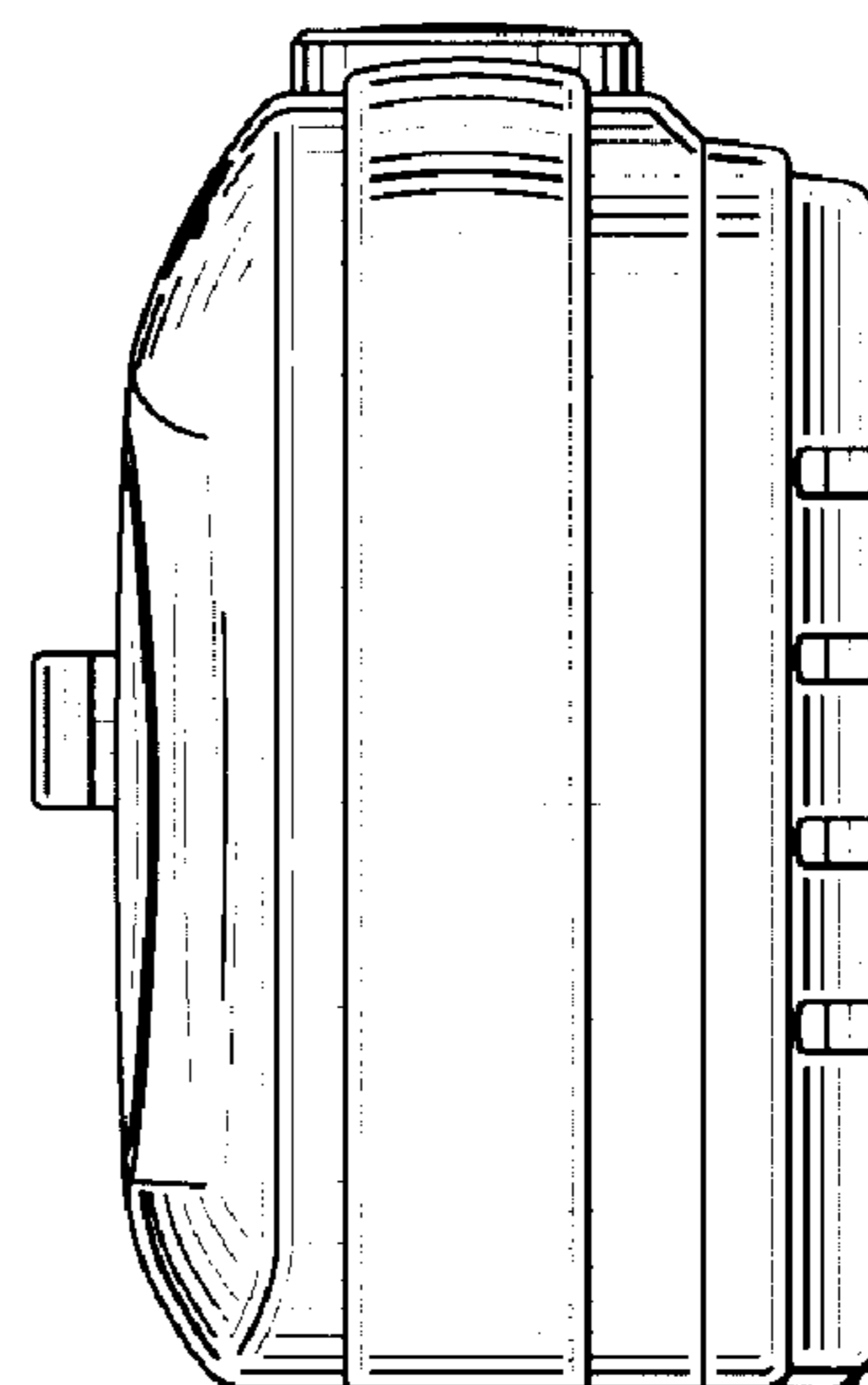


FIG. 9

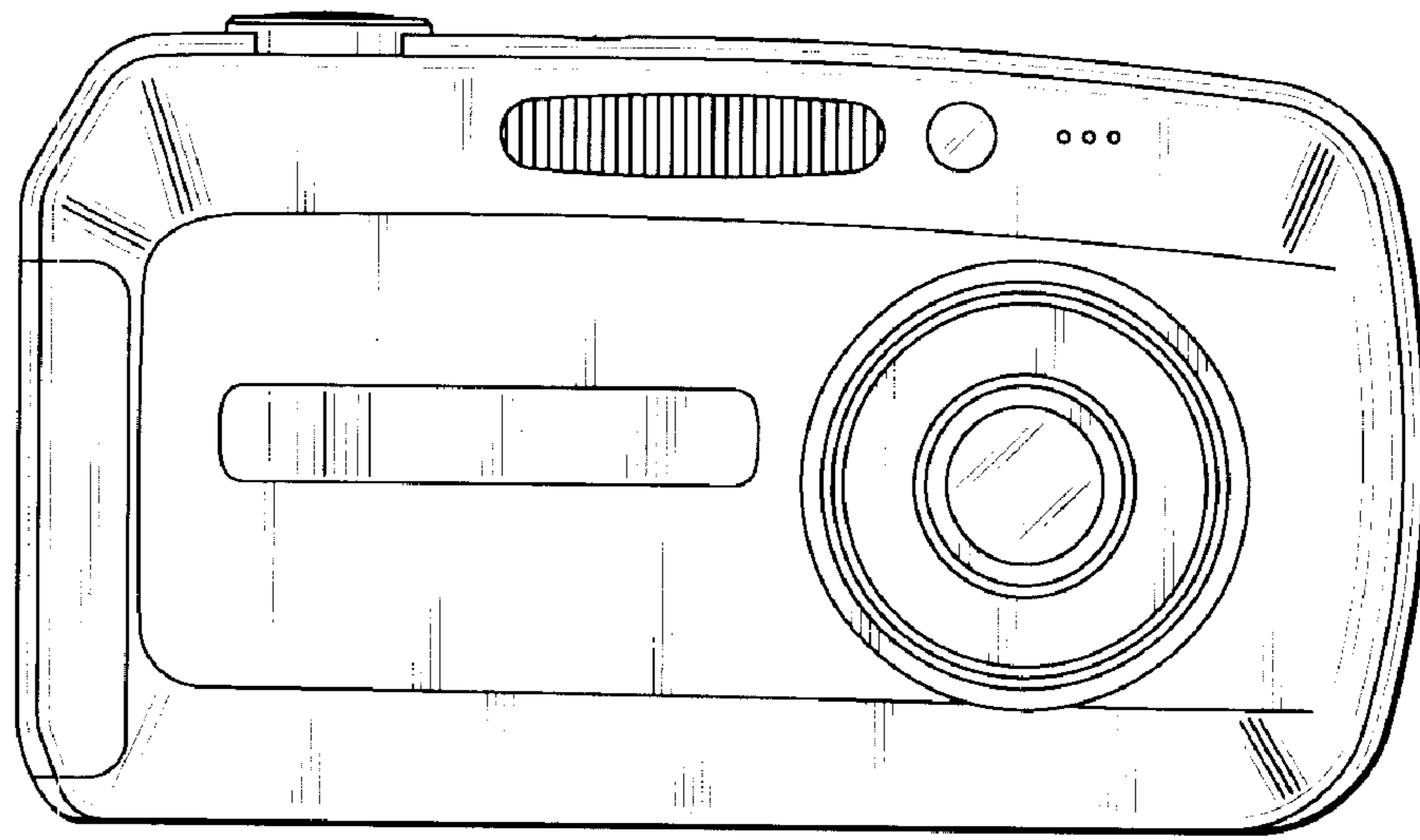


FIG. 10

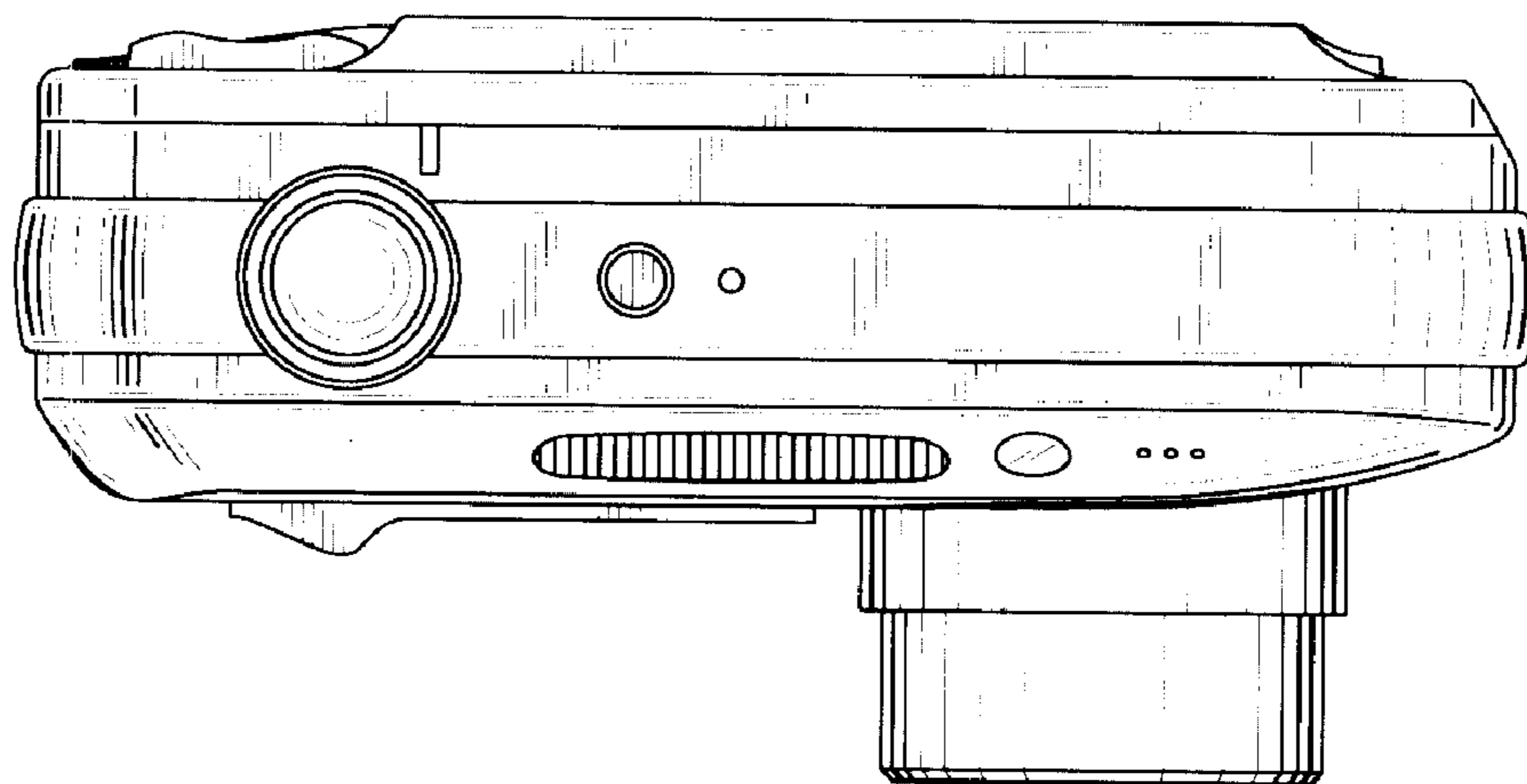


FIG. 11