



US00D534561S

(12) **United States Design Patent**
Kasman

(10) **Patent No.:** **US D534,561 S**

(45) **Date of Patent:** **** Jan. 2, 2007**

(54) **OIL BATH**

(75) **Inventor:** **David H. Kasman**, 62 Prentice Rd.,
Newton Center, MA (US) 02459

(73) **Assignee:** **David H. Kasman**, Newton Center, MA
(US)

(**) **Term:** **14 Years**

(21) **Appl. No.:** **29/210,291**

(22) **Filed:** **Jul. 29, 2004**

(51) **LOC (8) Cl.** **15-09**

(52) **U.S. Cl.** **D15/150**

(58) **Field of Classification Search** D15/150–152;
D24/217, 129–130, 207; 73/54.43; 126/374.1;
219/415, 437; 220/592.25, 902; 248/312;
374/3; 392/441, 451, 454, 498, 500; 422/99
See application file for complete search history.

(56) **References Cited**

U.S. PATENT DOCUMENTS

2,227,938	A	*	1/1941	Krebs	392/454
D232,976	S	*	9/1974	Ruter	D15/150
3,985,511	A	*	10/1976	Betts	219/415
4,288,684	A	*	9/1981	Katou et al.	392/337
5,251,542	A	*	10/1993	Itoh et al.	99/403
5,425,921	A	*	6/1995	Coakley et al.	422/99

OTHER PUBLICATIONS

Ace Glass, Inc., “9601 Instatherm Oil Baths.” downloaded
Aug. 10, 2005, from Ace Glass Web site: <http://www.ace-glass.com/page.php?page=9601>.

* cited by examiner

Primary Examiner—Antoine D. Davis

Assistant Examiner—Patricia Palasik

(74) *Attorney, Agent, or Firm*—Cesari and McKenna, LLP;
Michael E. Attaya

(57) **CLAIM**

The ornamental design for a oil bath, substantially as shown
and described.

DESCRIPTION

FIG. 1 is an perspective view from the side of a oil bath
incorporating the design;

FIG. 2 is a left-side view thereof;

FIG. 3 is a right-side view thereof;

FIG. 4 is a front-side view thereof;

FIG. 5 is a back-side view thereof;

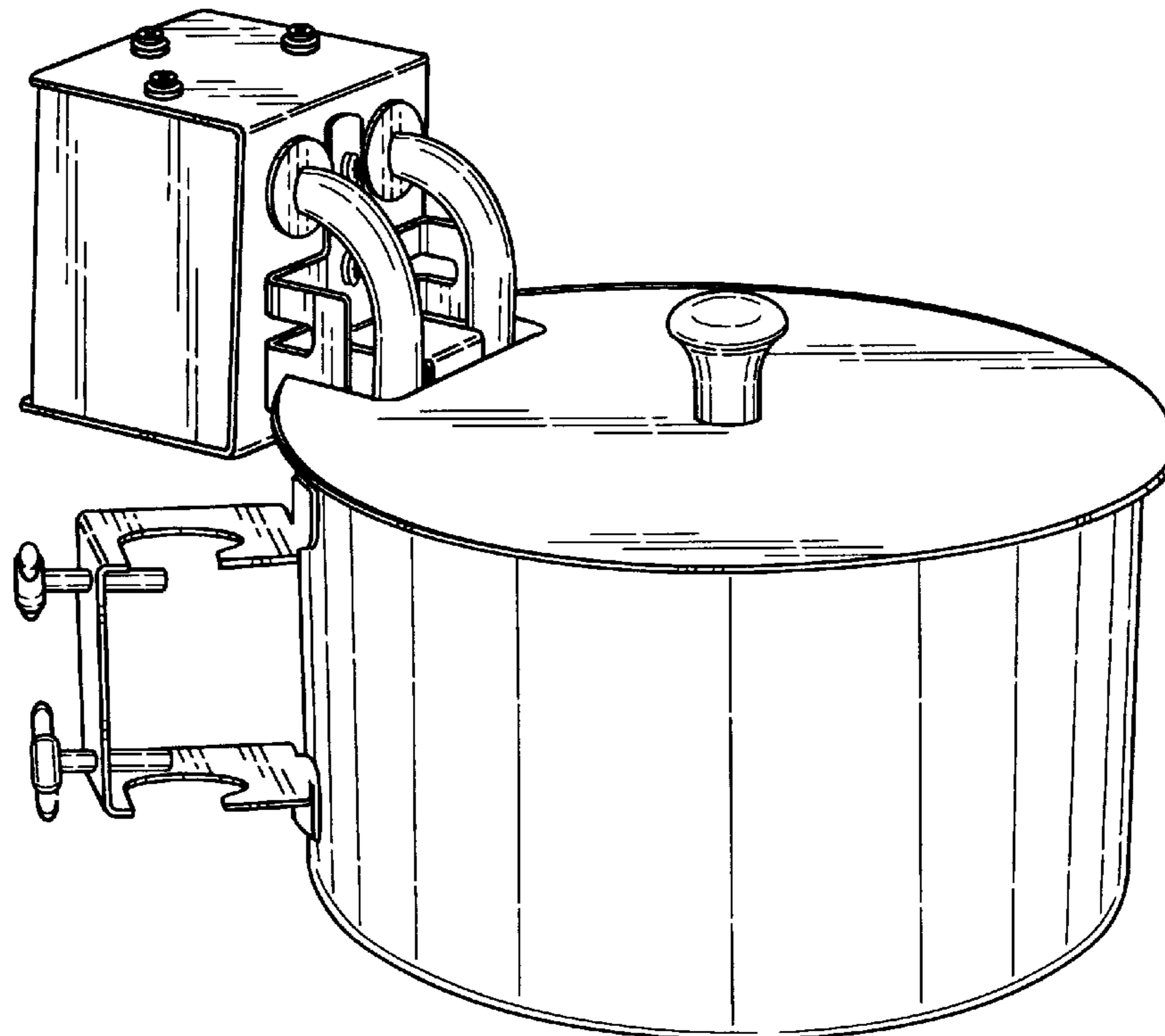
FIG. 6 is a top plan thereof;

FIG. 7 is a bottom plan thereof;

FIG. 8 is an isometric view from the side of an alternative
size of the design; and,

FIG. 9 is an isometric view from the side of an alternative
embodiment of the design.

1 Claim, 7 Drawing Sheets



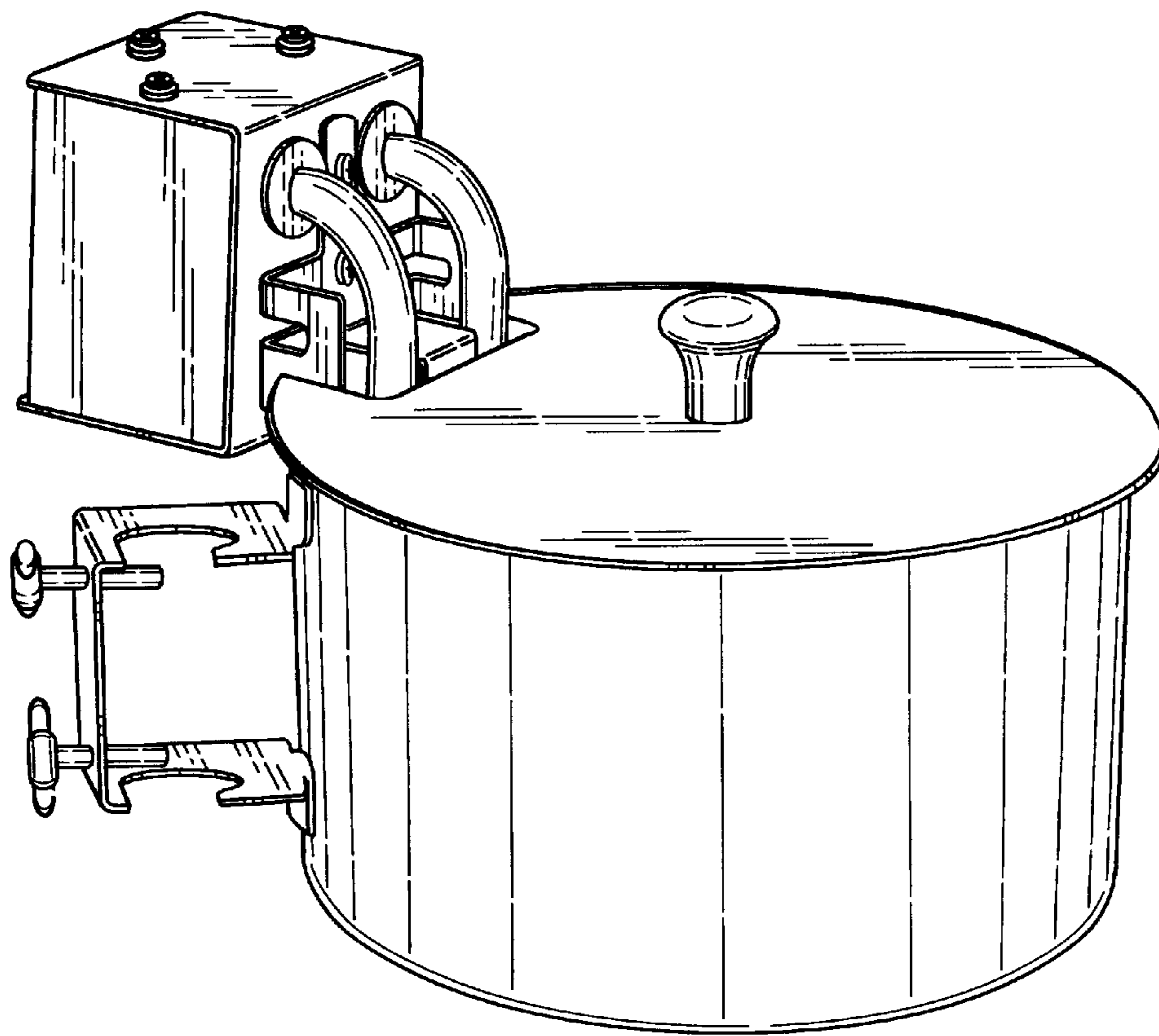


FIG. 1

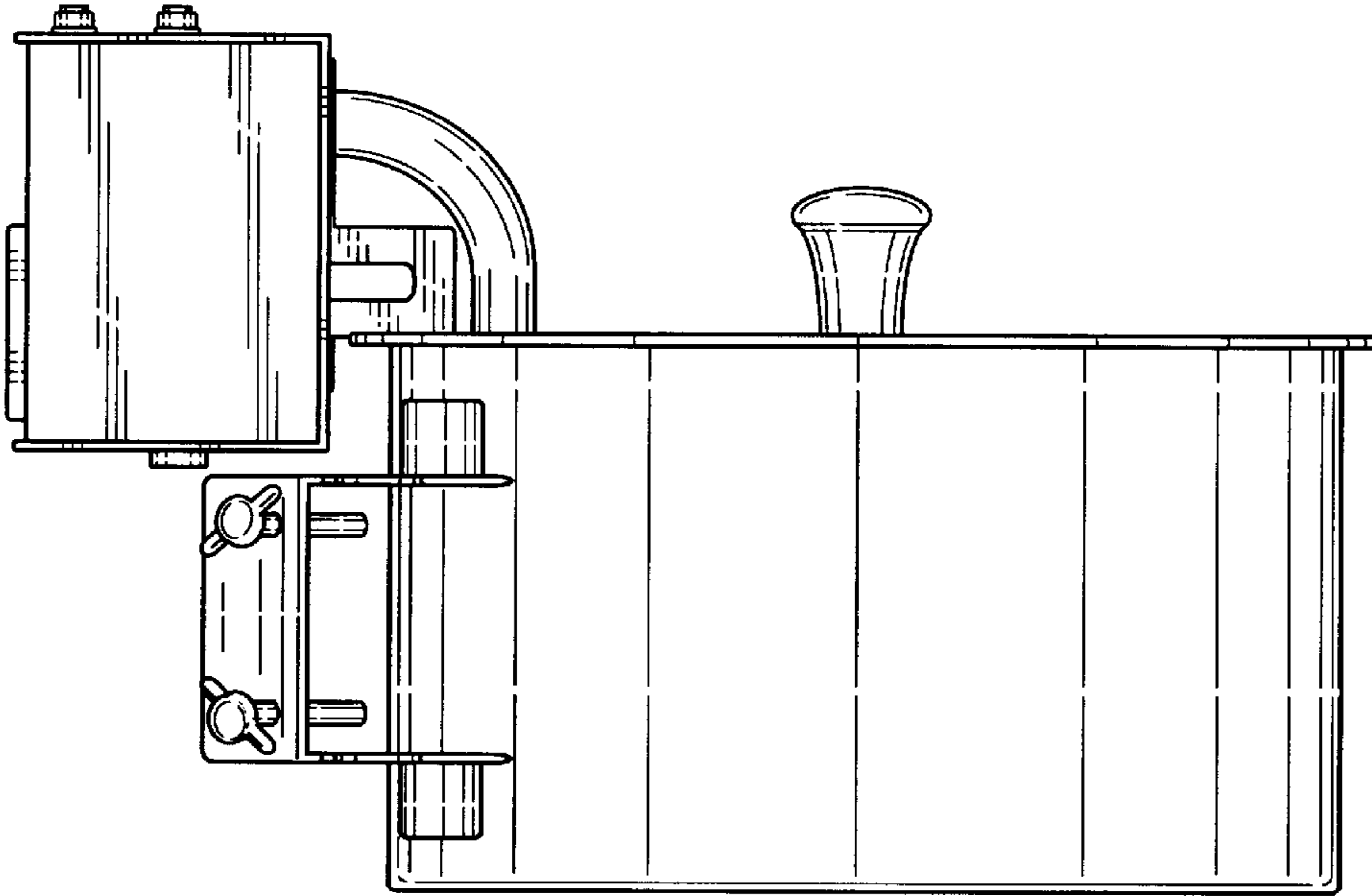


FIG. 2

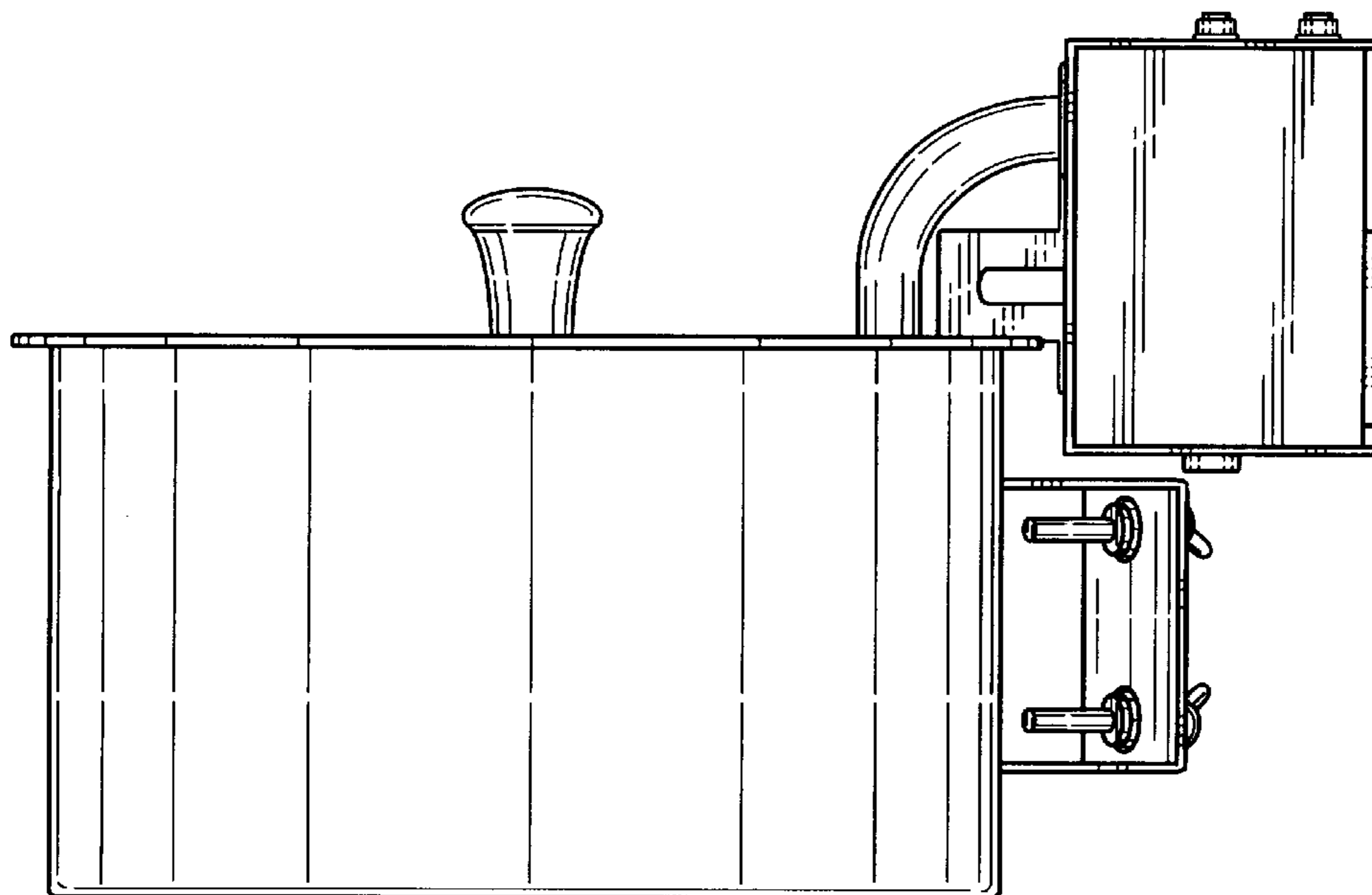


FIG. 3

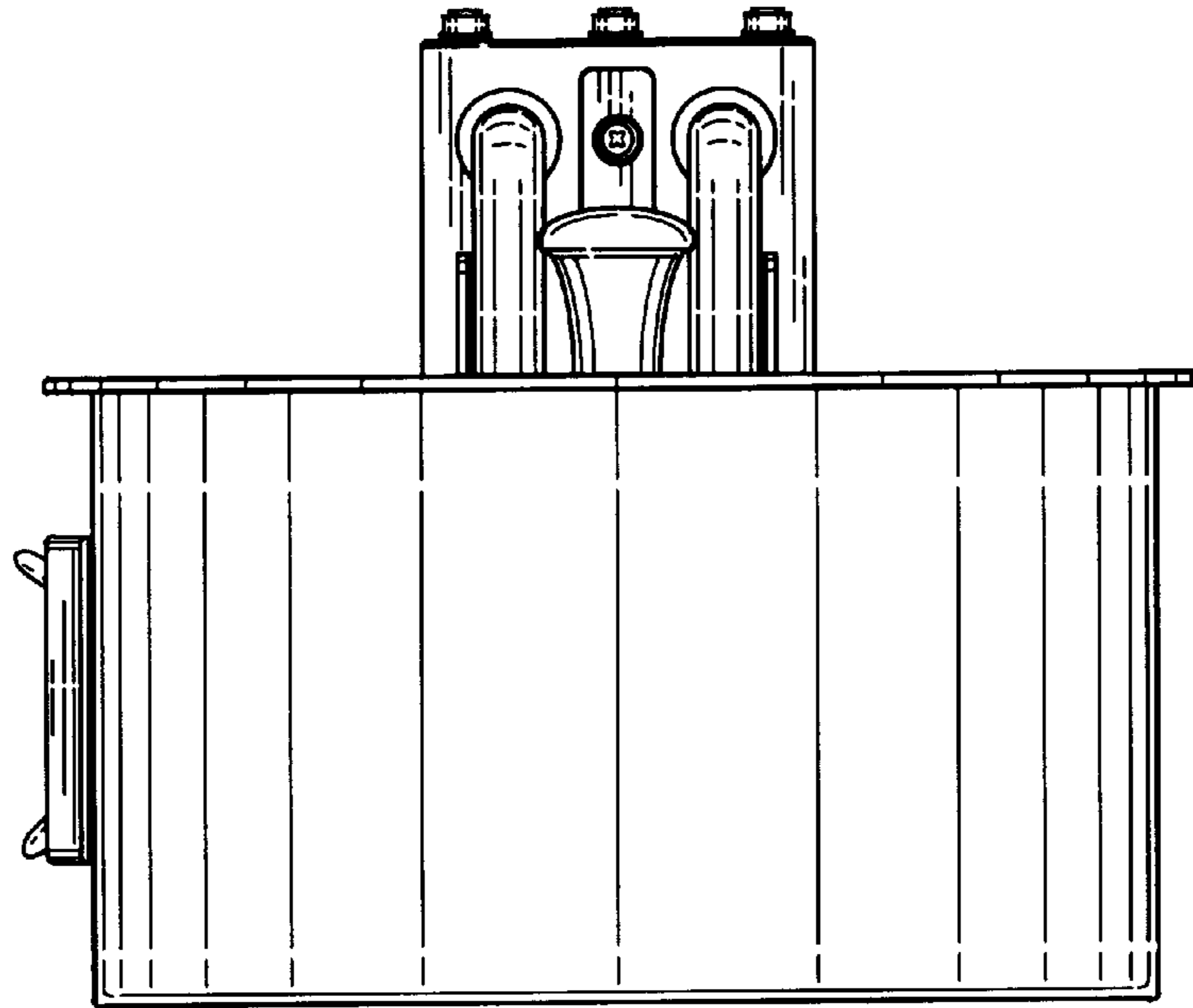


FIG. 4

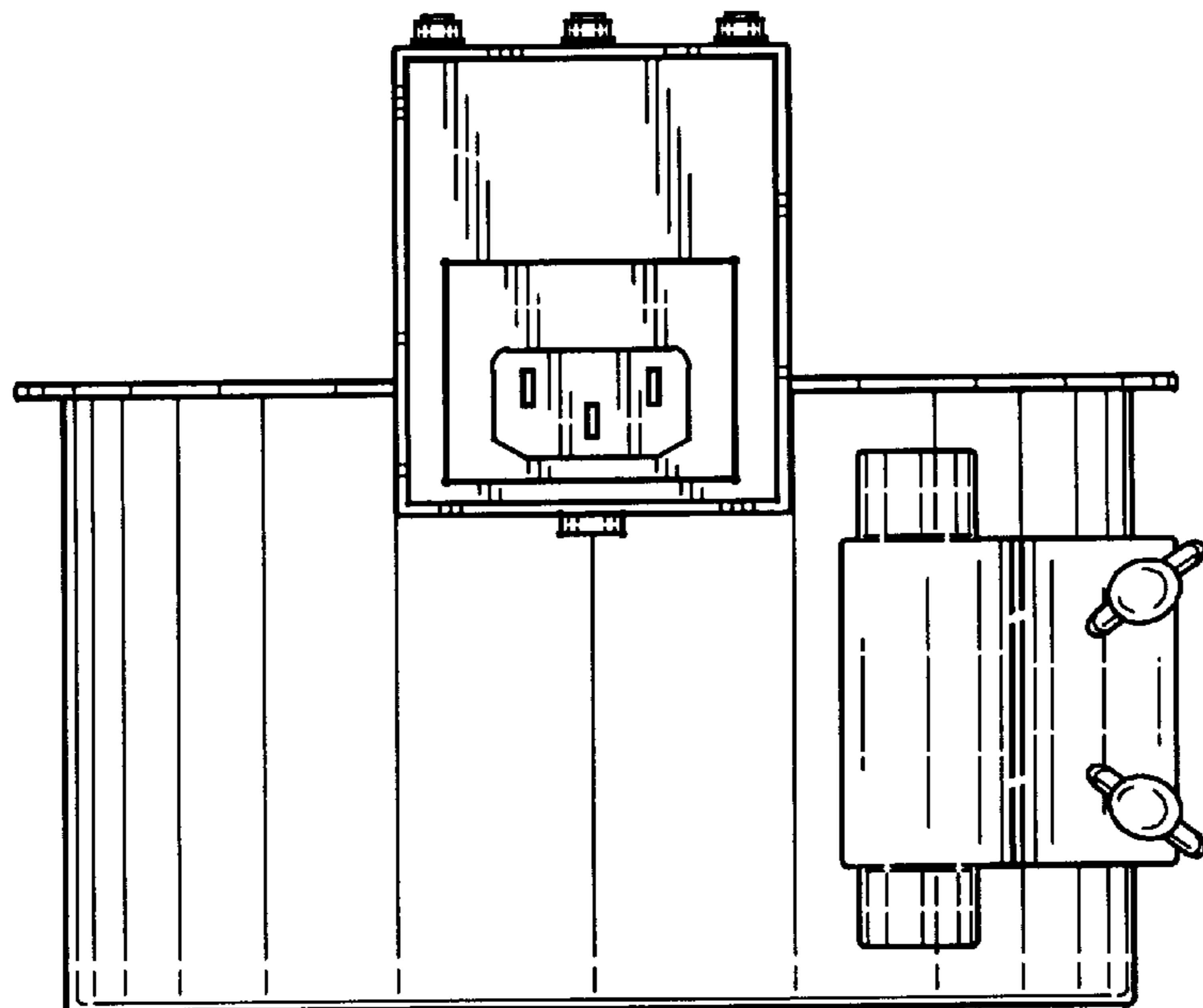


FIG. 5

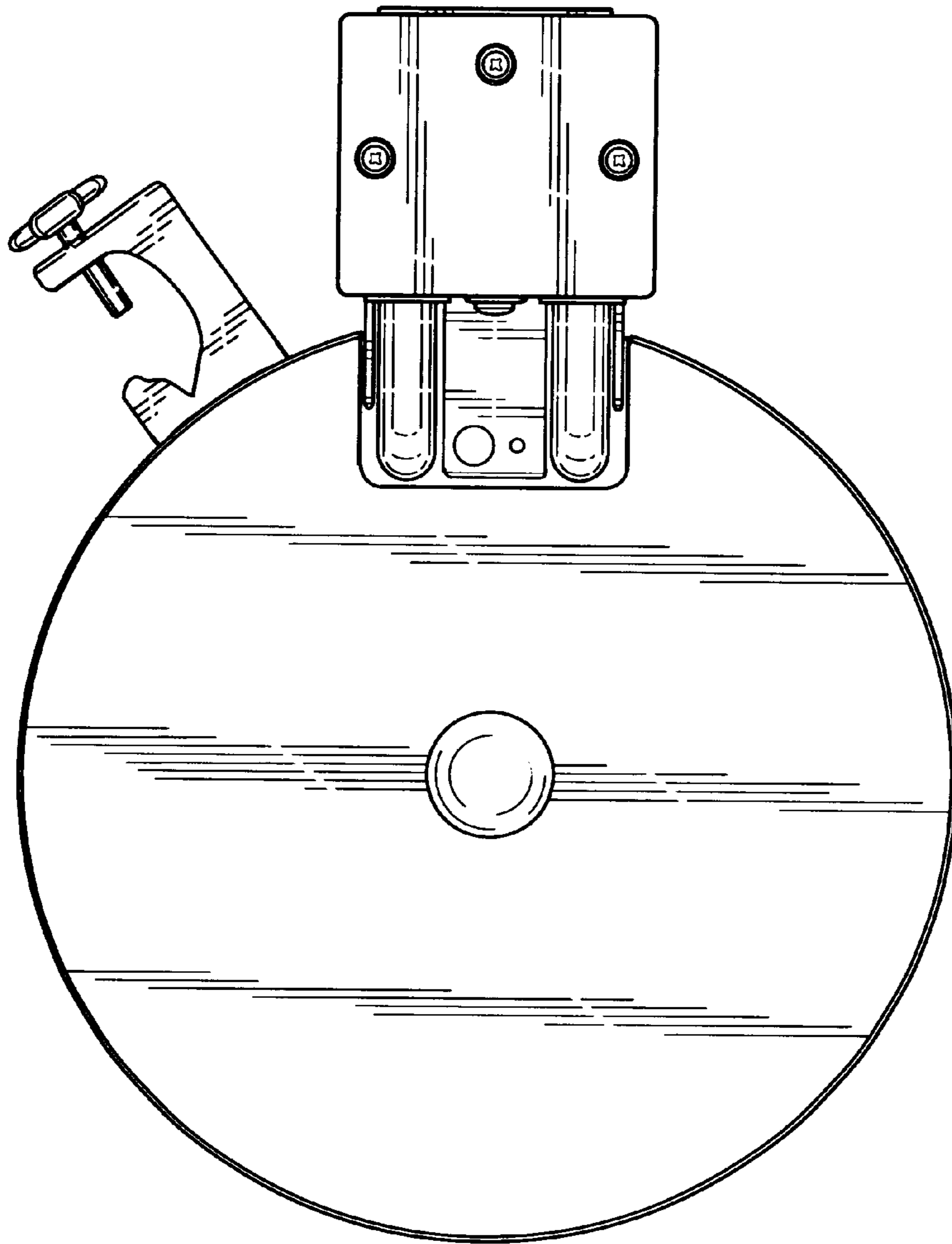


FIG. 6

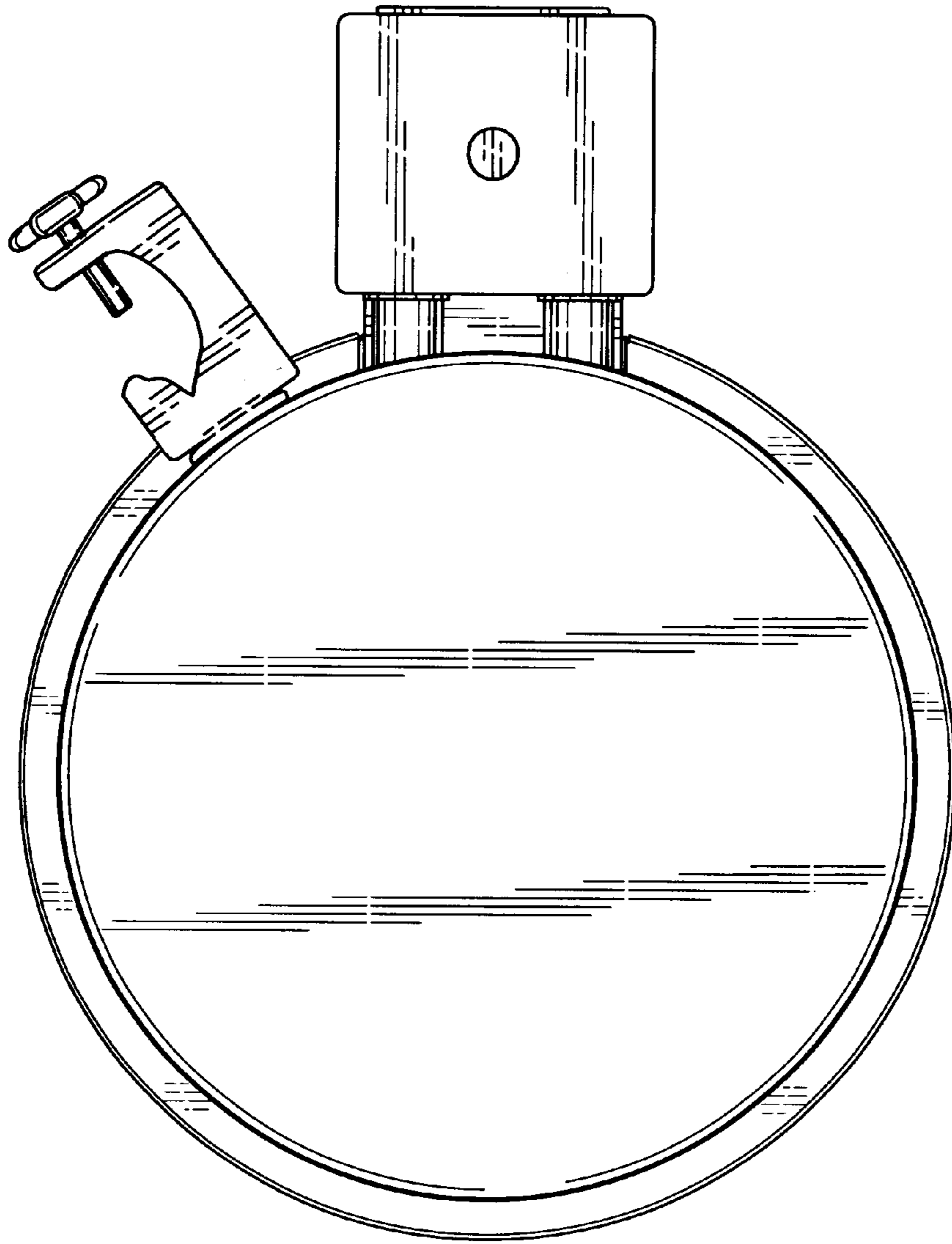


FIG. 7

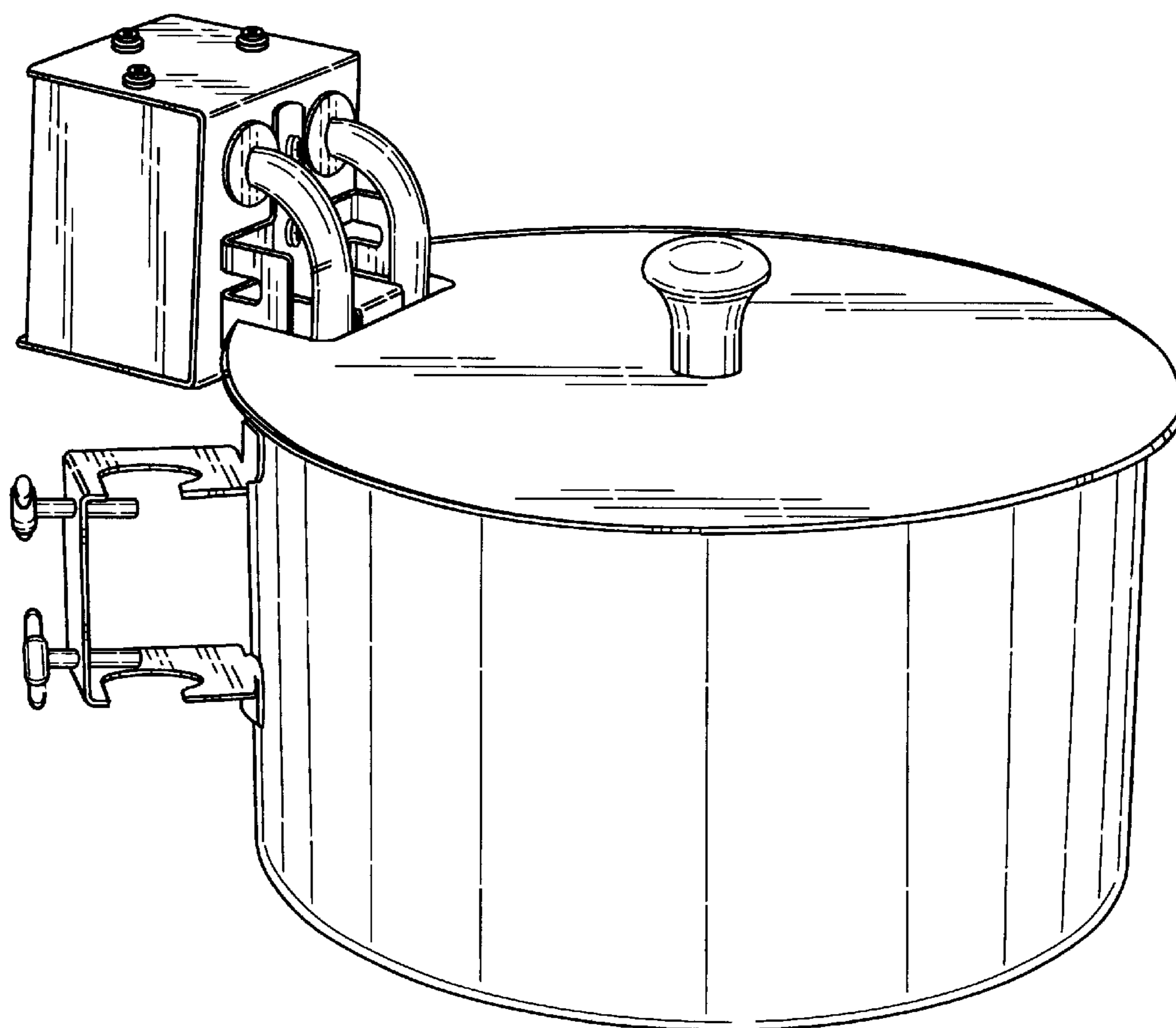


FIG. 8

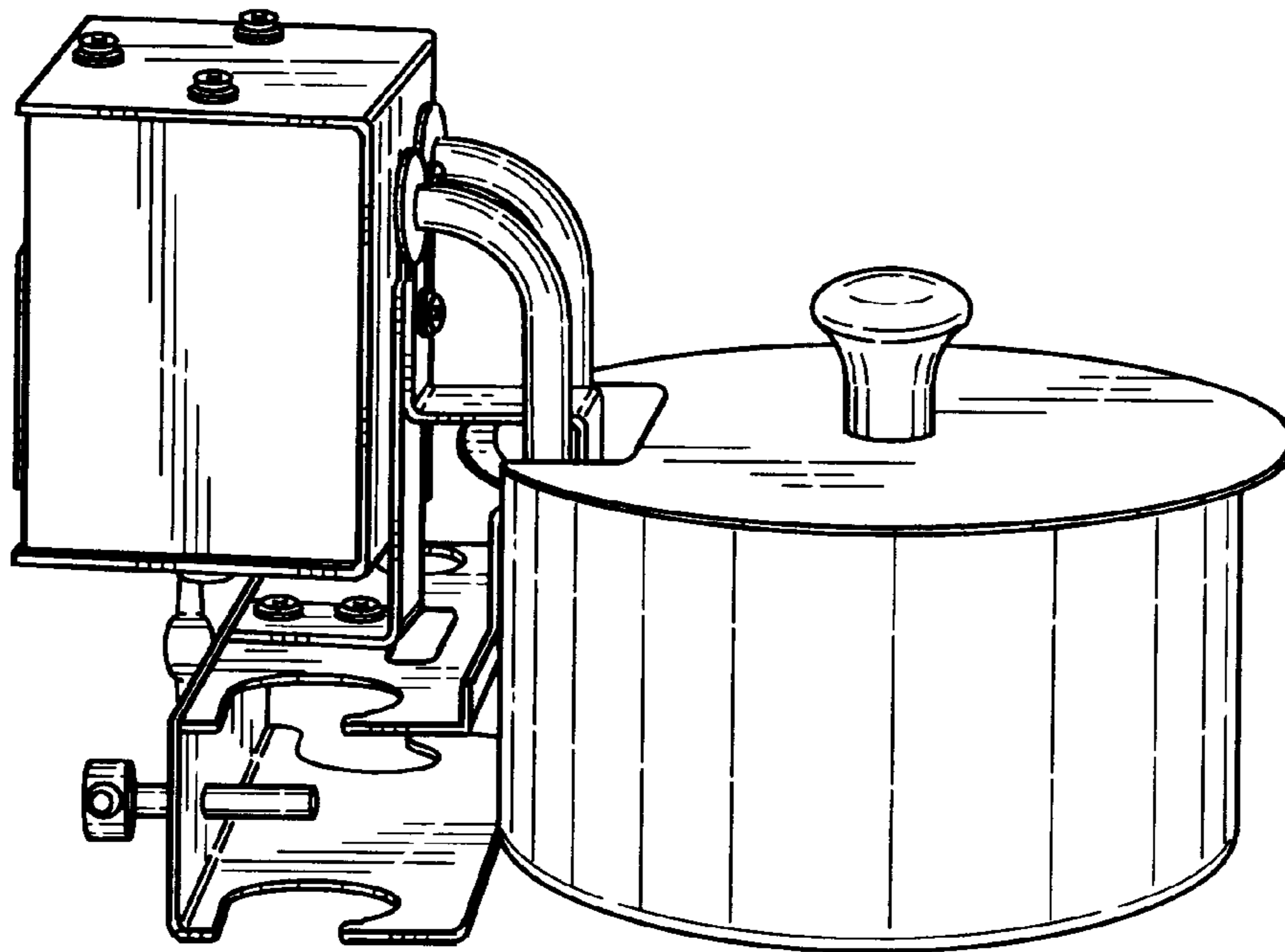


FIG. 9