



US00D534559S

(12) **United States Design Patent**  
**Martin**

(10) **Patent No.:** **US D534,559 S**

(45) **Date of Patent:** **\*\* Jan. 2, 2007**

(54) **MAGNET AND BEARING STACK**  
(75) Inventor: **Michael J. Martin**, Calgary (CA)  
(73) Assignee: **Genpack Industries Ltd.**, Calgary (CA)  
(\*\*) Term: **14 Years**

(21) Appl. No.: **29/230,140**  
(22) Filed: **May 18, 2005**

(51) **LOC (8) Cl.** ..... **15-09**  
(52) **U.S. Cl.** ..... **D15/143**  
(58) **Field of Classification Search** ..... D15/143;  
700/42, 44, 45, 174; 308/10, 90, 90.5, 156;  
378/125, 132; 384/523-534  
See application file for complete search history.

(56) **References Cited**

**U.S. PATENT DOCUMENTS**

442,289 A \* 12/1890 Lake ..... 384/528  
449,963 A \* 4/1891 Simonds ..... 384/525  
1,048,216 A \* 12/1912 Shultz ..... 384/533

2,883,224 A \* 4/1959 Riesing et al. .... 277/394  
4,040,686 A \* 8/1977 F'Geppert ..... 384/527  
D362,256 S \* 9/1995 Okamoto et al. .... D15/143  
6,118,199 A \* 9/2000 Lembke ..... 310/90.5  
6,198,803 B1 \* 3/2001 Osama et al. .... 378/132  
2003/0117031 A1 \* 6/2003 Wang et al. .... 310/90.5

\* cited by examiner

*Primary Examiner*—Antoine D. Davis

*Assistant Examiner*—Patricia Palasik

(74) *Attorney, Agent, or Firm*—Gowling Lafleur Henderson LLP; Robert M. Hendry

(57) **CLAIM**

The ornamental design for a magnet and bearing stack, as shown and described.

**DESCRIPTION**

FIG. 1 is a front perspective view of the magnet and bearing stack of our new design;

FIG. 2 is a front elevation view thereof; and,

FIG. 3 is a top plan view thereof.

**1 Claim, 3 Drawing Sheets**

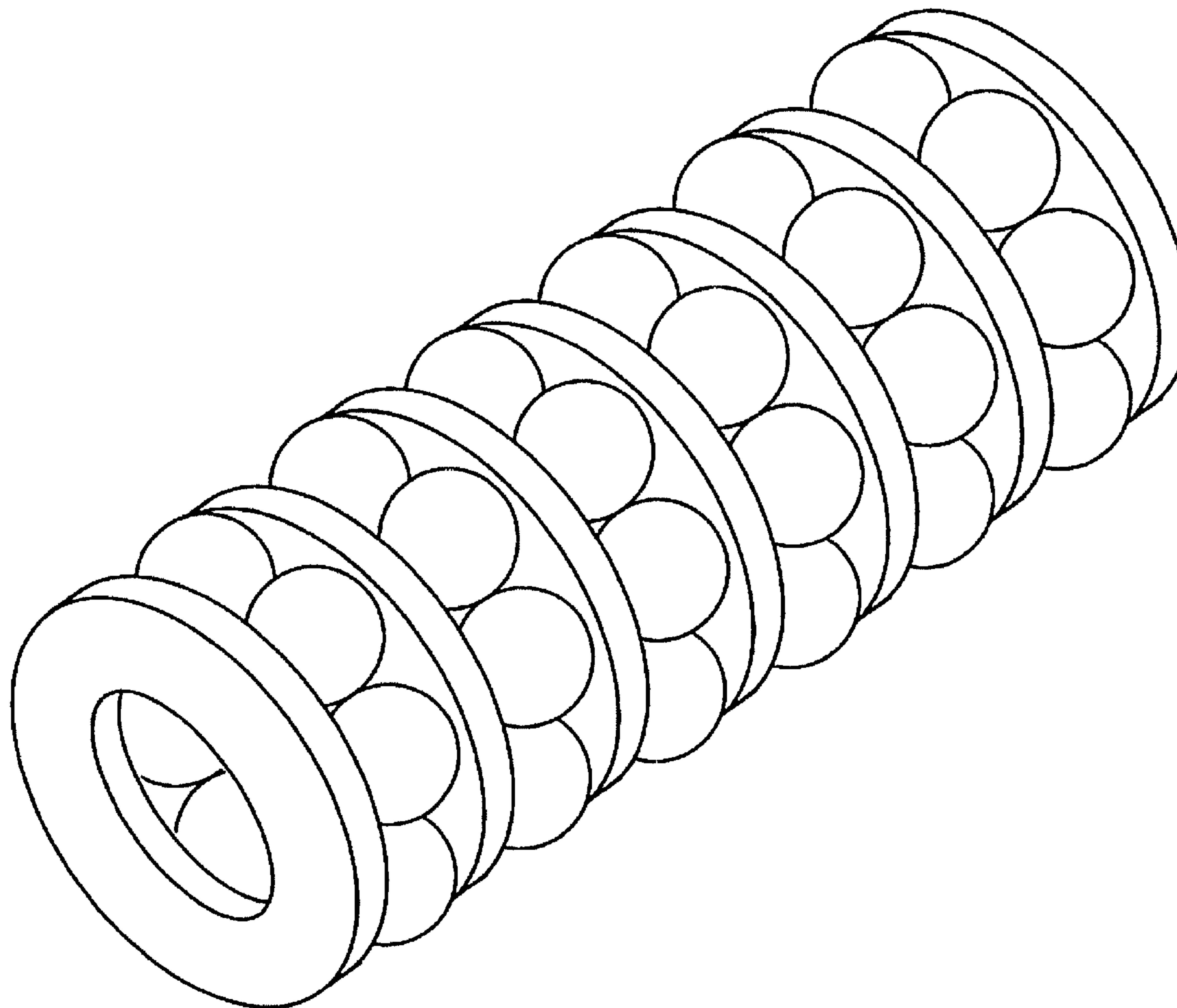


Figure 1

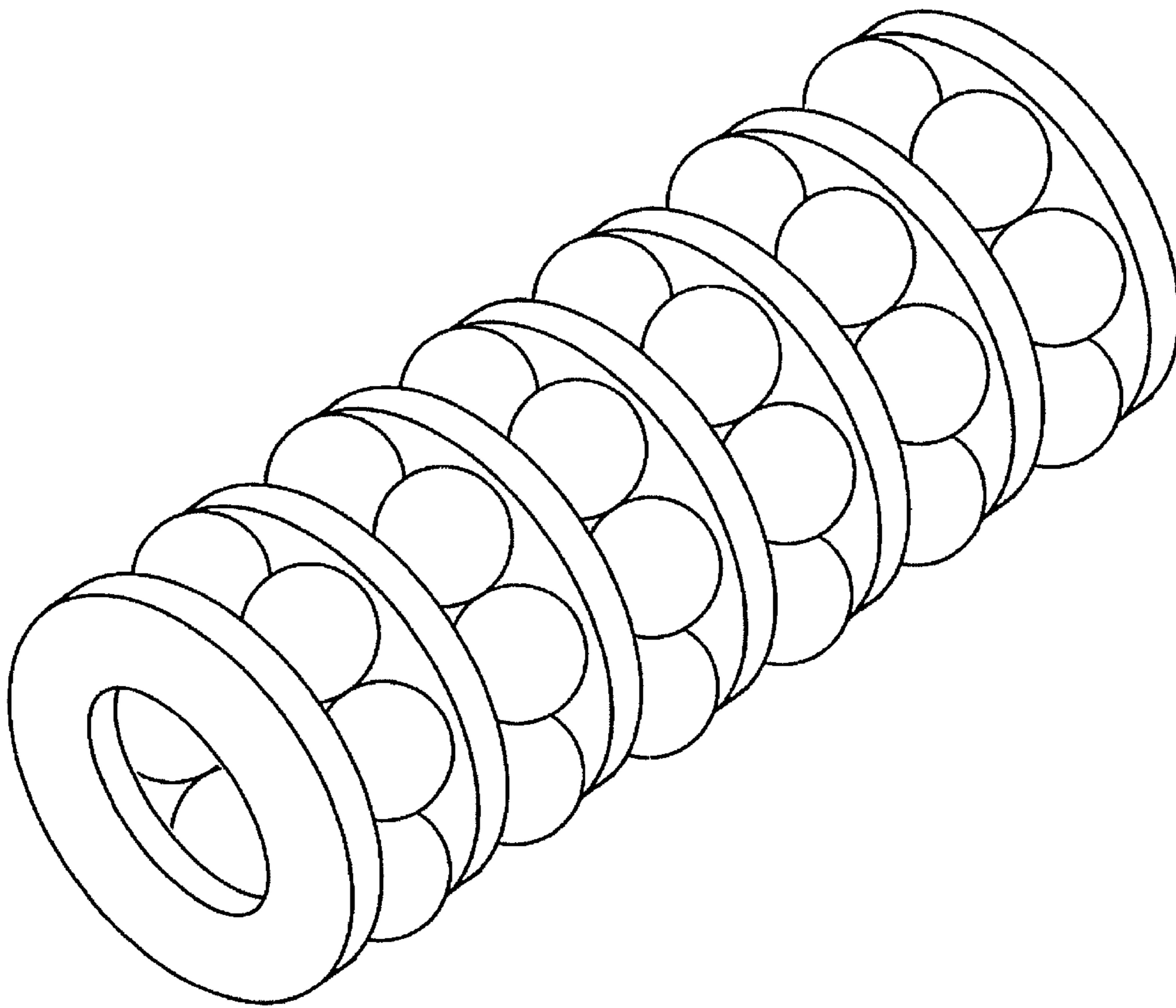


Figure 2

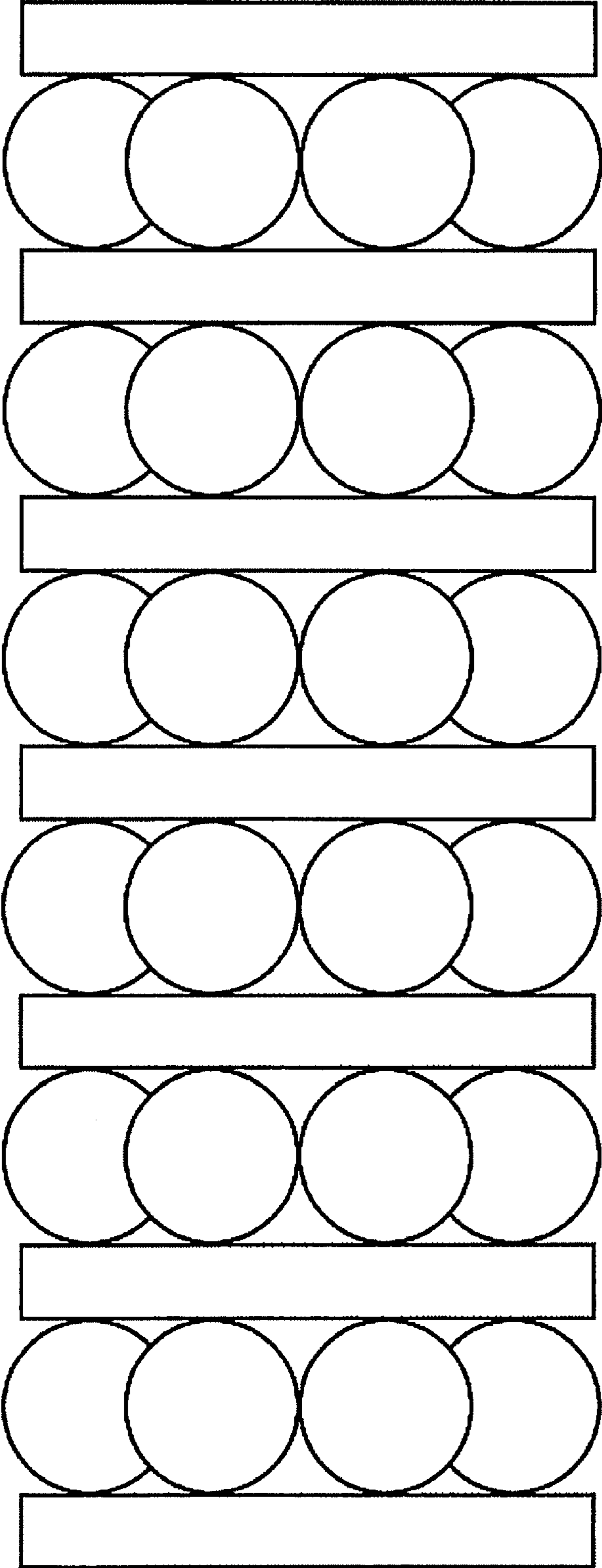


Figure 3

