



US00D534558S

(12) **United States Design Patent**  
**Cook**

(10) **Patent No.:** **US D534,558 S**

(45) **Date of Patent:** **\*\* \*Jan. 2, 2007**

(54) **TOOL-HOLDING ADAPTER**

(75) **Inventor:** **Roy P. Cook**, Temecula, CA (US)

(73) **Assignee:** **Banner American Products, Inc.**,  
Temecula, CA (US)

(\*) **Notice:** This patent is subject to a terminal disclaimer.

(\*\*) **Term:** **14 Years**

(21) **Appl. No.:** **29/230,861**

(22) **Filed:** **May 27, 2005**

(51) **LOC (8) Cl.** ..... **15-09**

(52) **U.S. Cl.** ..... **D15/140**

(58) **Field of Classification Search** ..... D8/68,  
D8/70; D15/131, 138, 140; 279/60-66, 140,  
279/902; 408/239 A, 239 R, 240  
See application file for complete search history.

(56) **References Cited**

**U.S. PATENT DOCUMENTS**

D242,871 S \* 12/1976 Magnusson ..... D15/199

D277,760 S \* 2/1985 Wilson et al. .... D15/138

D278,245 S \* 4/1985 Smith ..... D15/140

D293,798 S \* 1/1988 Johnson ..... D15/140

4,722,645 A \* 2/1988 Regan ..... 408/239 A

D397,125 S \* 8/1998 Boisvert ..... D15/140

\* cited by examiner

*Primary Examiner*—Antoine D. Davis

*Assistant Examiner*—Patricia Palasik

(74) *Attorney, Agent, or Firm*—Loyal McKinley Hanson

(57) **CLAIM**

The ornamental design for a tool-holding adapter, as shown.

**DESCRIPTION**

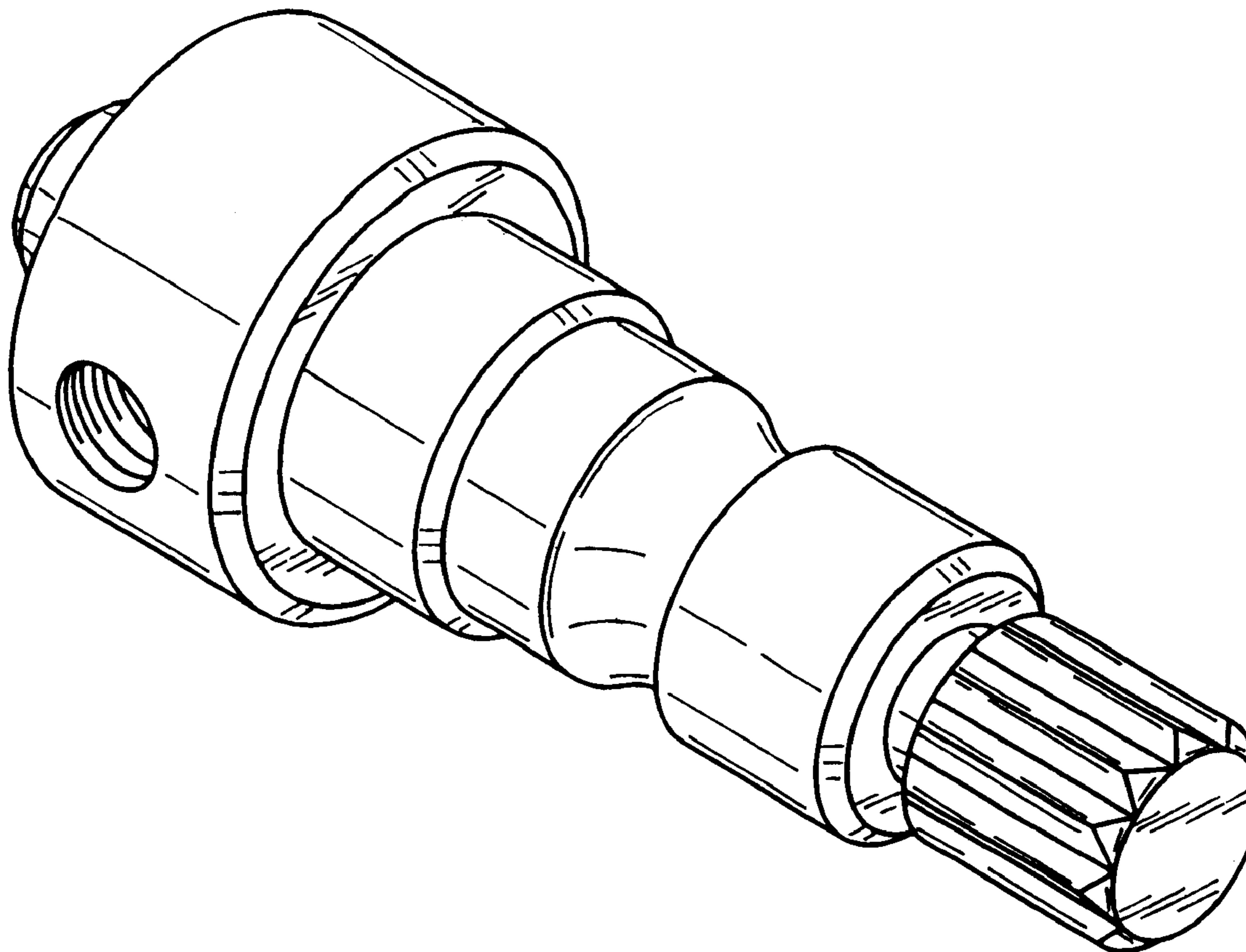
FIG. 1 of the drawings is a perspective view showing the front, top, and right side of a tool-holding adapter embodying the design of my invention;

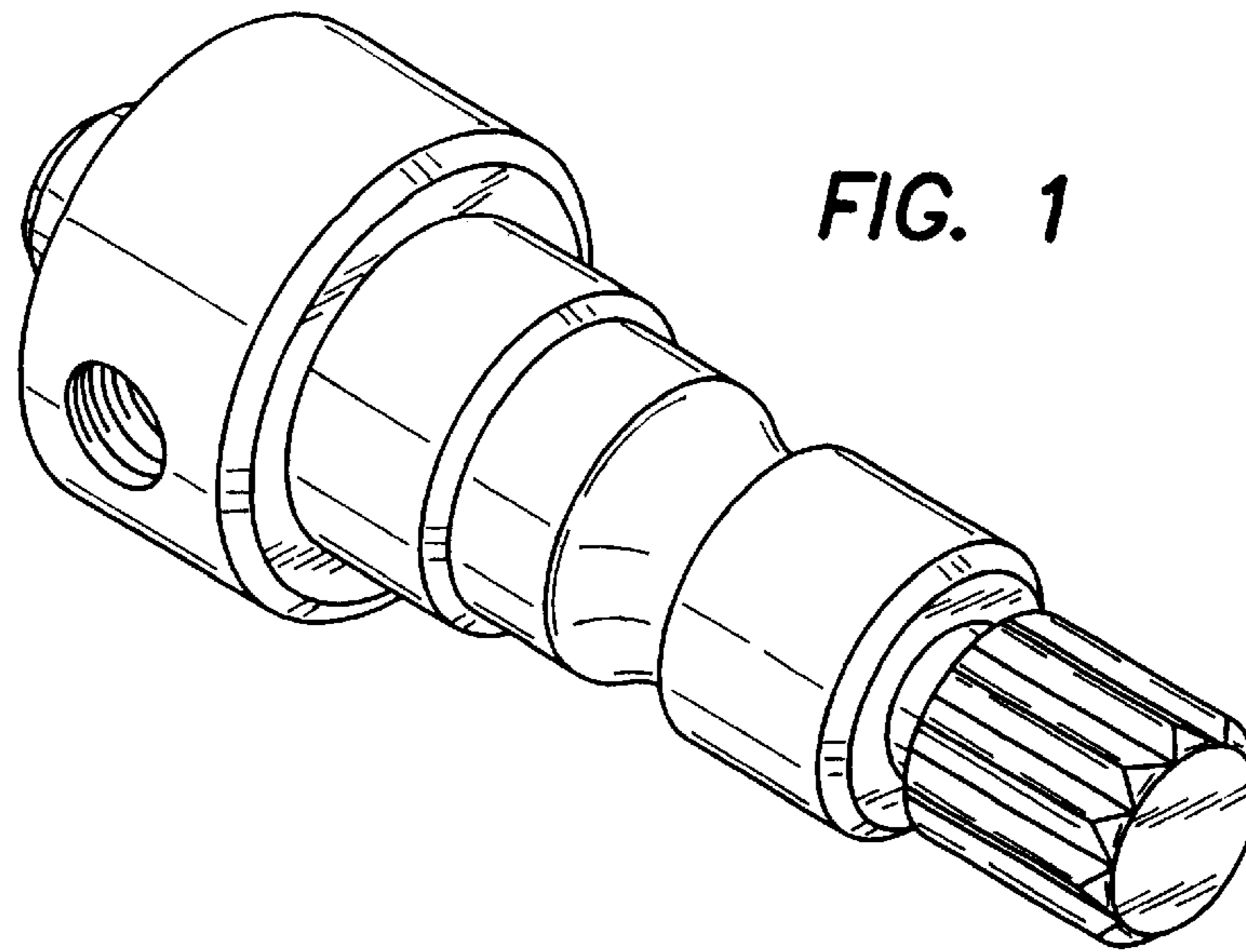
FIG. 2 is an elevation view of the left side;

FIG. 3 is an elevation view of the front; and,

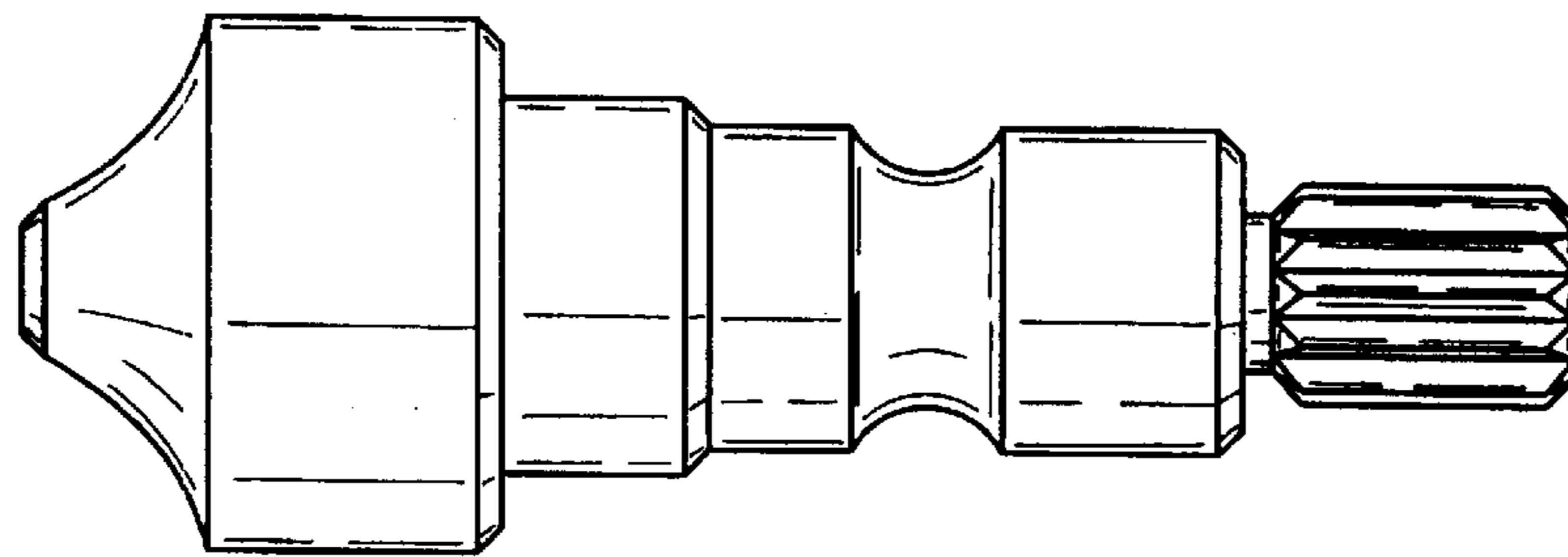
FIG. 4 is an elevation view of the back.

**1 Claim, 1 Drawing Sheet**

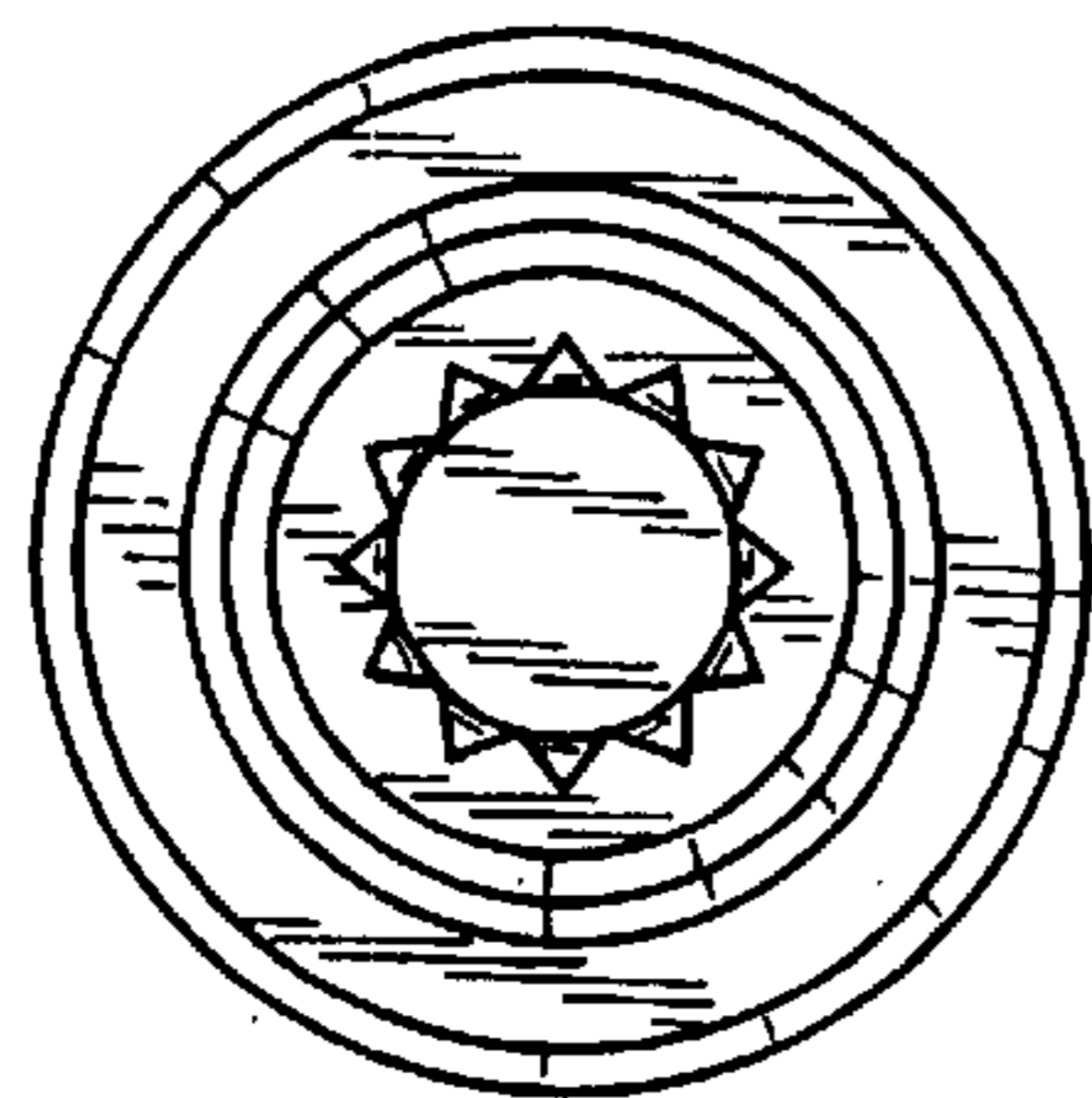




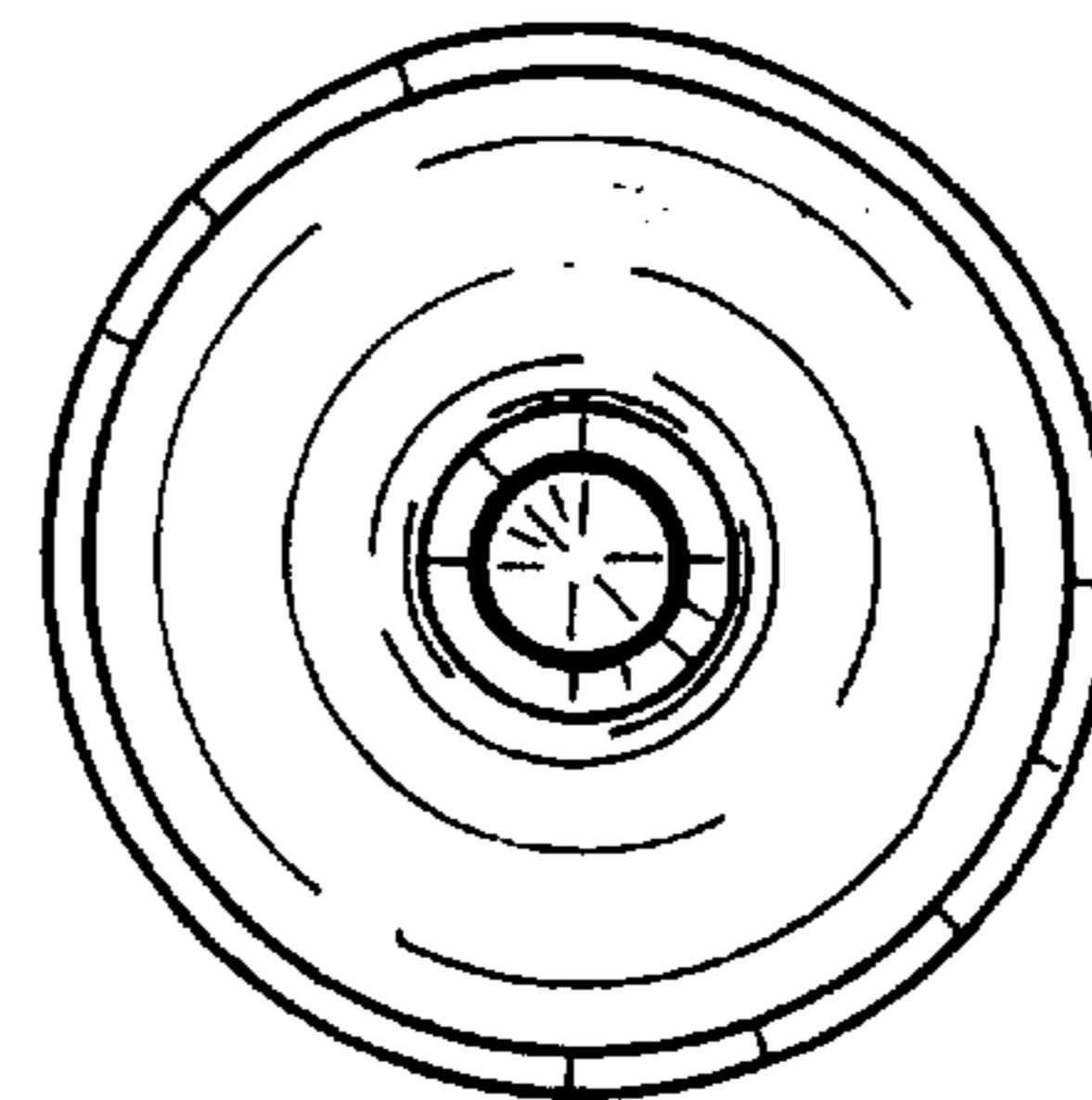
**FIG. 1**



**FIG. 2**



**FIG. 3**



**FIG. 4**