



US00D534557S

(12) **United States Design Patent**
Storer et al.

(10) **Patent No.:** **US D534,557 S**
(45) **Date of Patent:** **** Jan. 2, 2007**

(54) **BLAST CABINET**

D323,661 S * 2/1992 Zwicker D15/124
2004/0092216 A1 * 5/2004 Publ et al. 451/87

(75) Inventors: **Ron D. Storer**, Villa Park, CA (US);
Robert A. Robinson, Glenwood, NM
(US); **Stephen C. McGrady**, Hesperia,
CA (US)

OTHER PUBLICATIONS

Media Blast & Abrasives, Inc.; "High Quality Media Blast
Cabinets" catalog.

(73) Assignee: **Media Blast & Abrasives, Inc.**, Brea,
CA (US)

* cited by examiner

(**) Term: **14 Years**

Primary Examiner—Antoine D. Davis

Assistant Examiner—Patricia Palasik

(21) Appl. No.: **29/236,342**

(74) *Attorney, Agent, or Firm*—Stetina Brunda Garred &
Brucker

(22) Filed: **Aug. 15, 2005**

(57) **CLAIM**

(51) **LOC (8) Cl.** **15-09**

The ornamental design for a blast cabinet, as shown and
described.

(52) **U.S. Cl.** **D15/124**

(58) **Field of Classification Search** D15/122,
D15/124; 51/124, 268, 272, 410, 424, 425,
51/426, 438; 451/38, 39, 40, 75, 87, 88, 89,
451/91, 99, 451

DESCRIPTION

See application file for complete search history.

FIG. 1 is a top plan view of the blast cabinet of the present
invention showing my new design;
FIG. 2 is a front elevational view thereof;
FIG. 3 is a rear elevational view thereof;
FIG. 4 is a bottom plan view thereof;
FIG. 5 is a right side elevational view thereof; and,
FIG. 6 is a left side elevational view thereof.

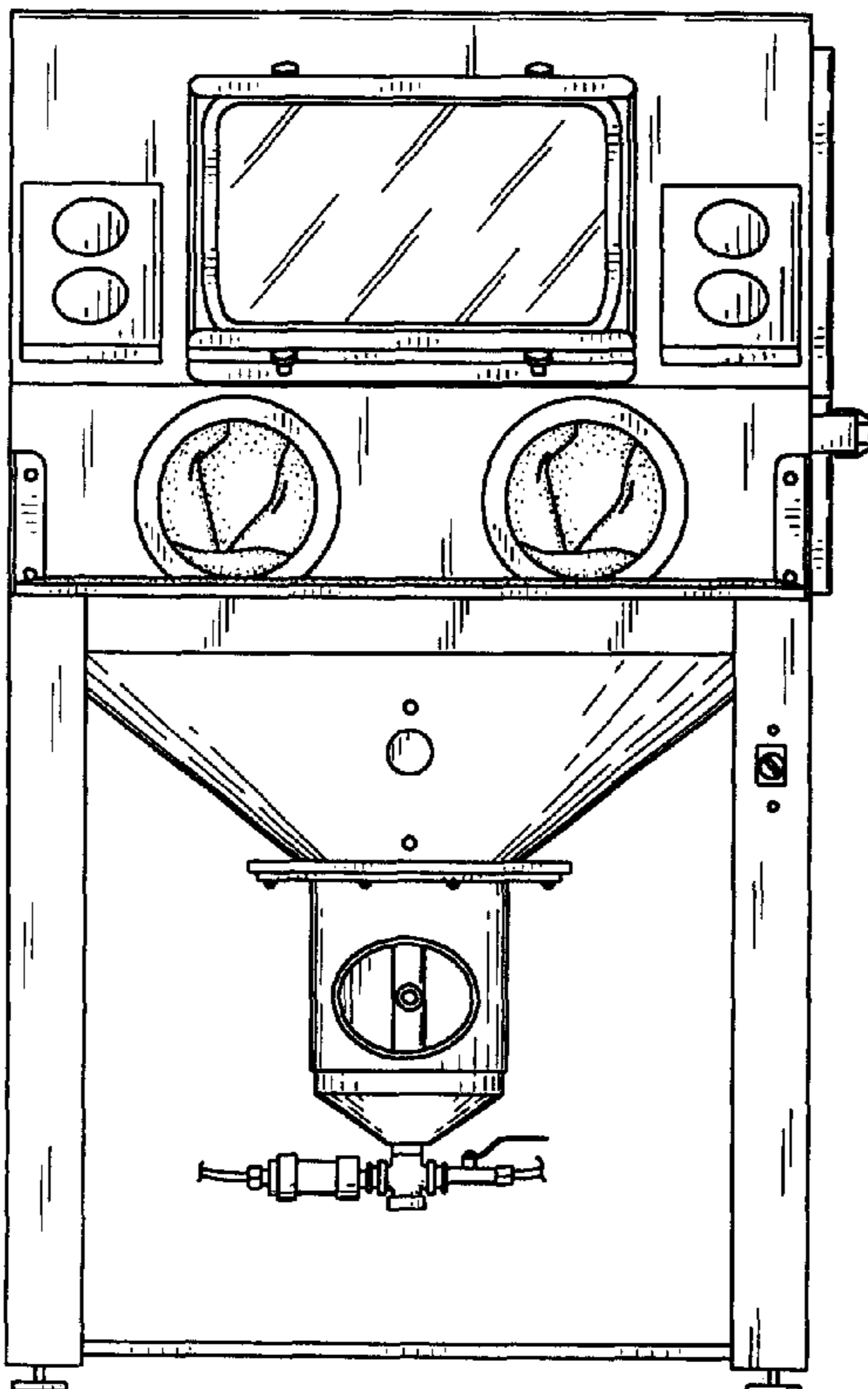
(56) **References Cited**

The broken line showing is for illustrative purposes only and
forms no part of the claimed design.

U.S. PATENT DOCUMENTS

3,516,205 A * 6/1970 Thomson 451/87
D246,108 S * 10/1977 Ashworth D15/124
D250,196 S * 11/1978 Caccioli et al. D15/124
4,300,318 A * 11/1981 Brown 451/88

1 Claim, 3 Drawing Sheets



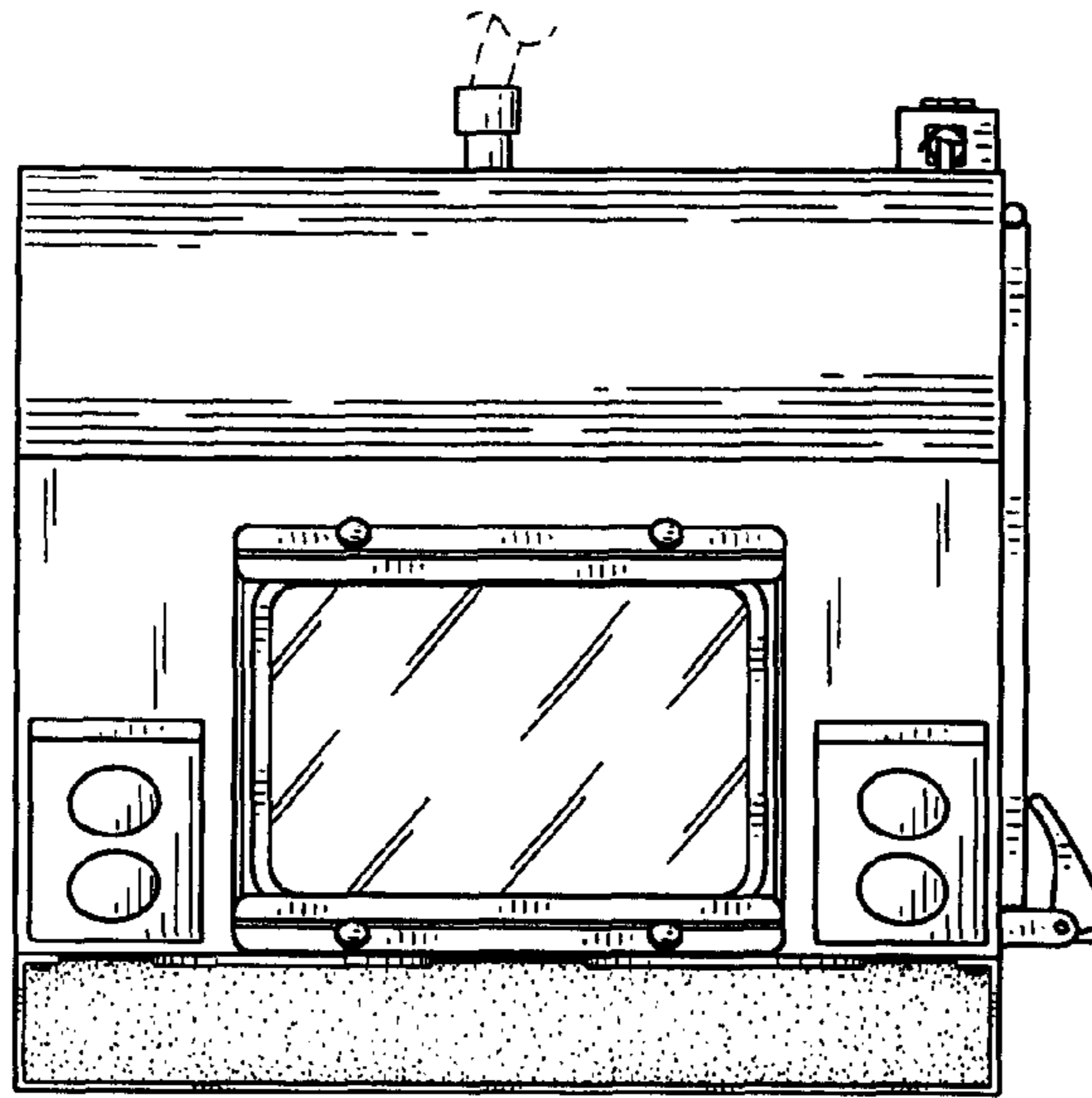


Fig. 1

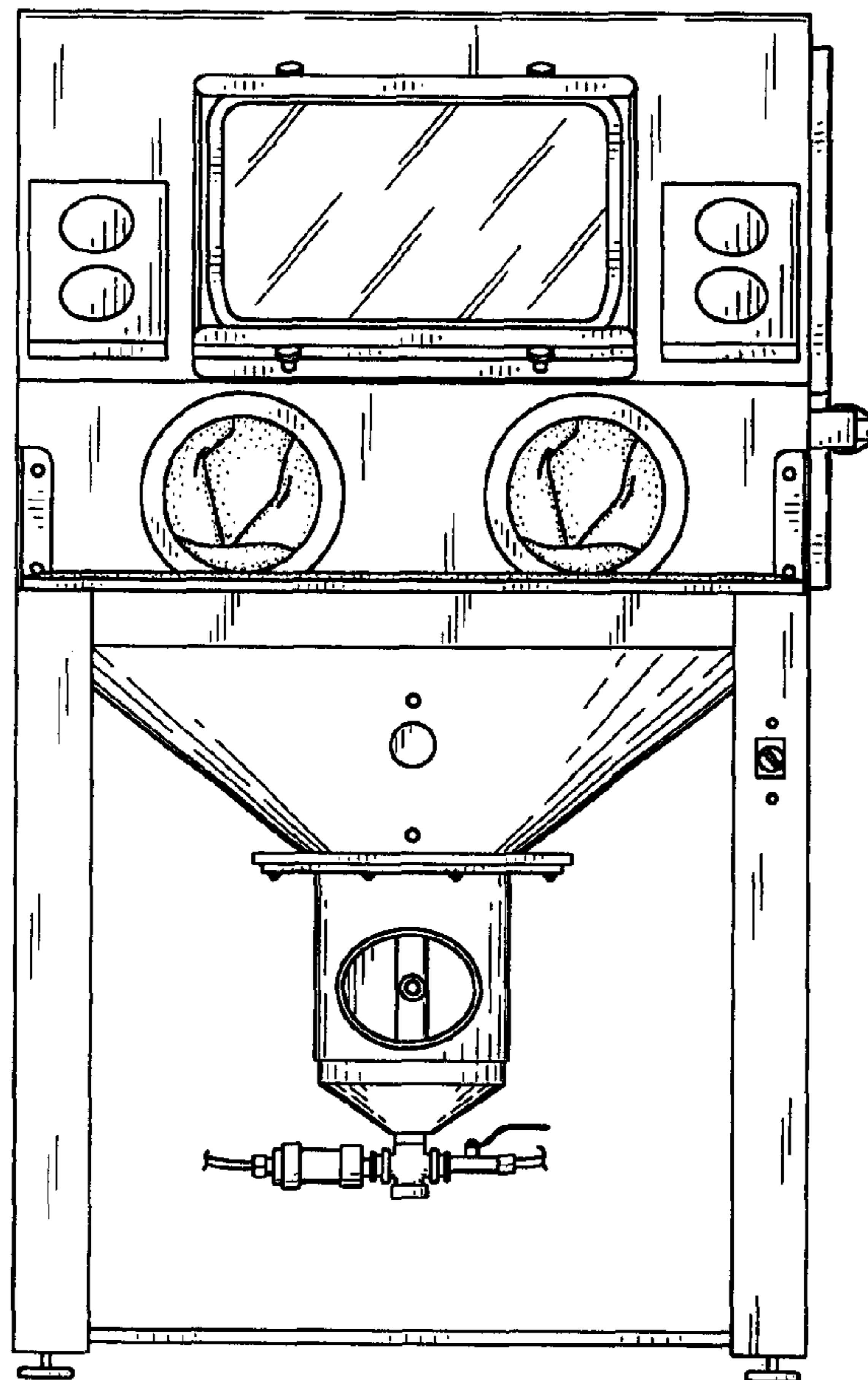


Fig. 2

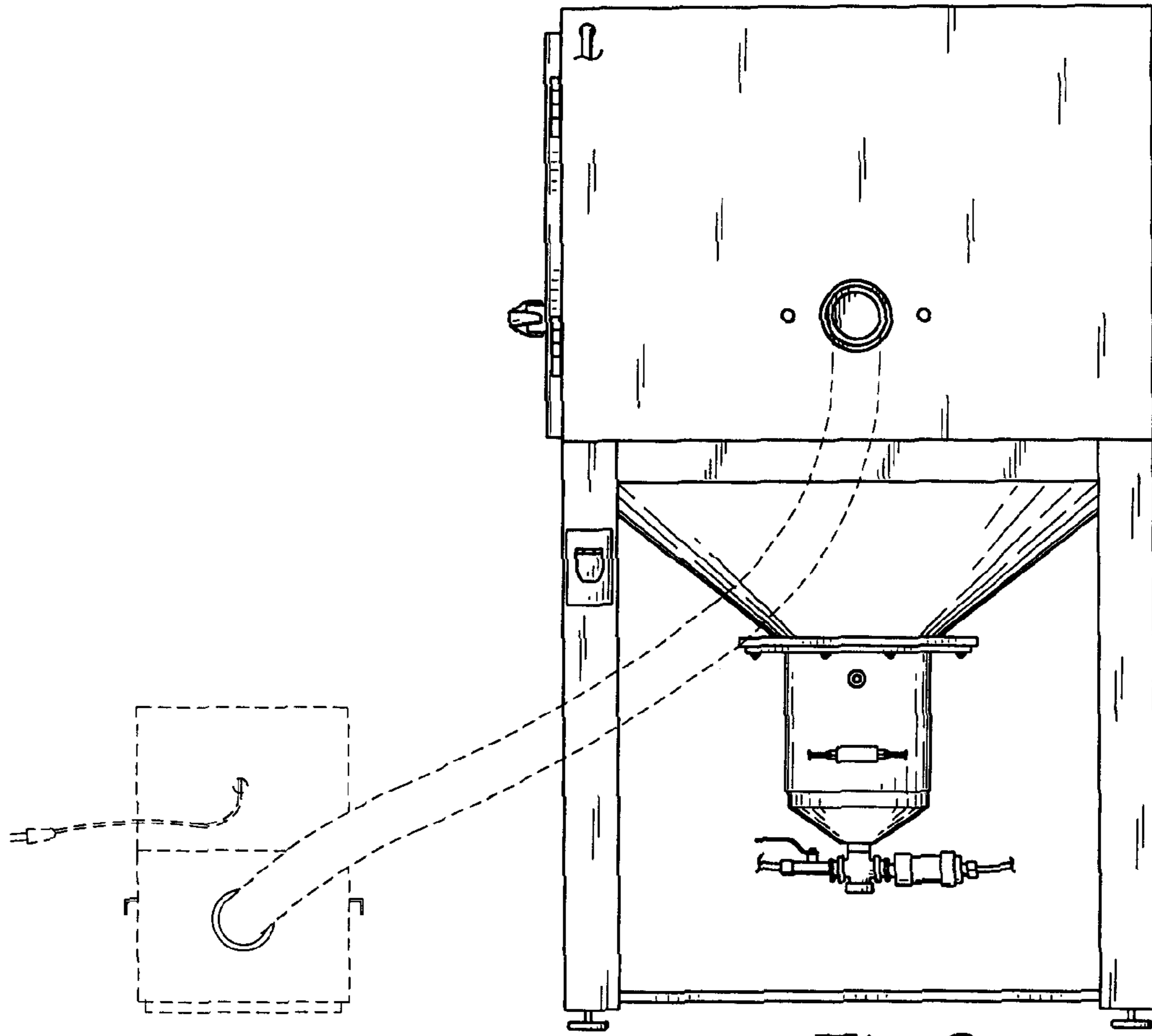


Fig. 3

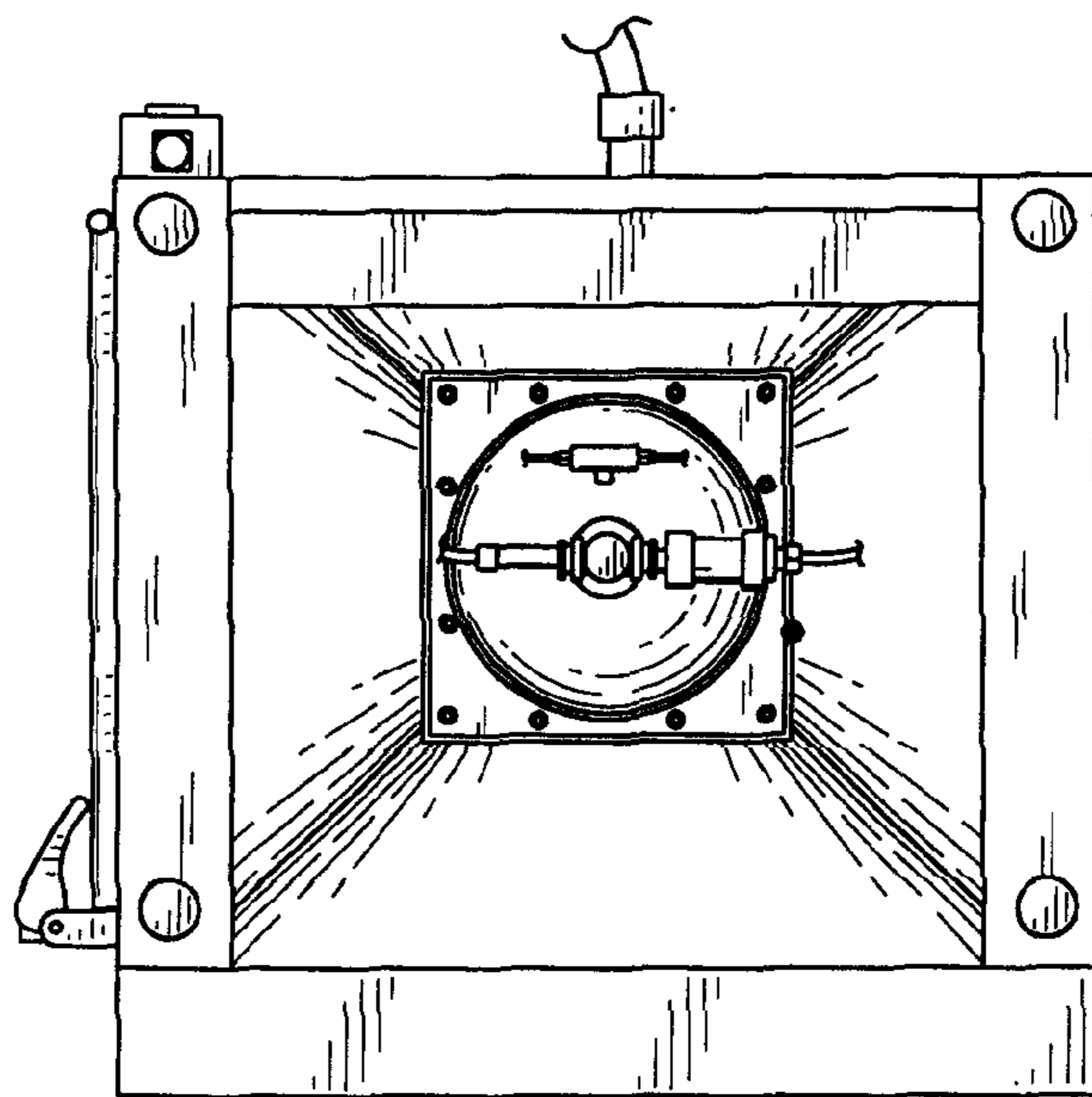


Fig. 4

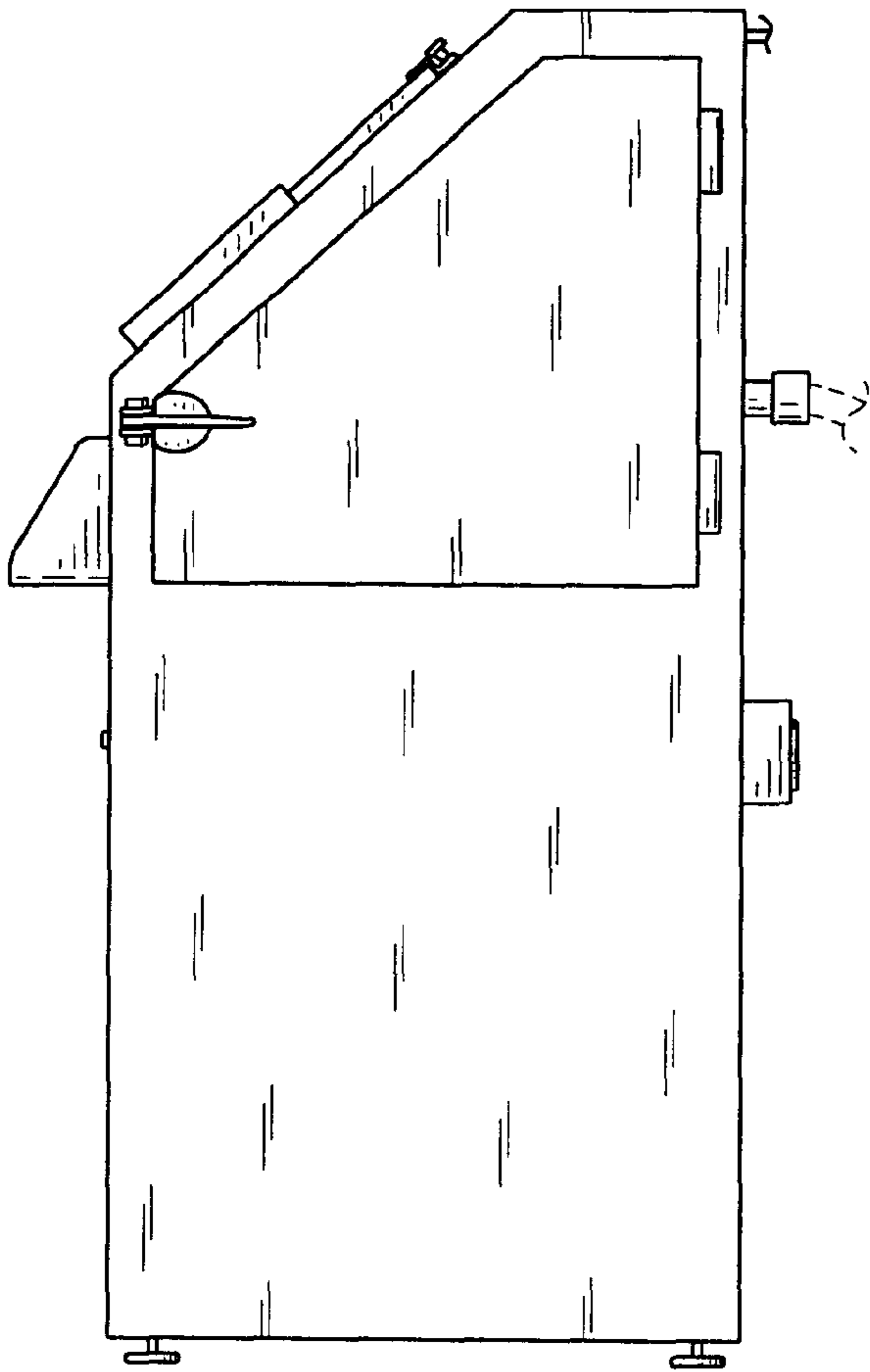


Fig. 5

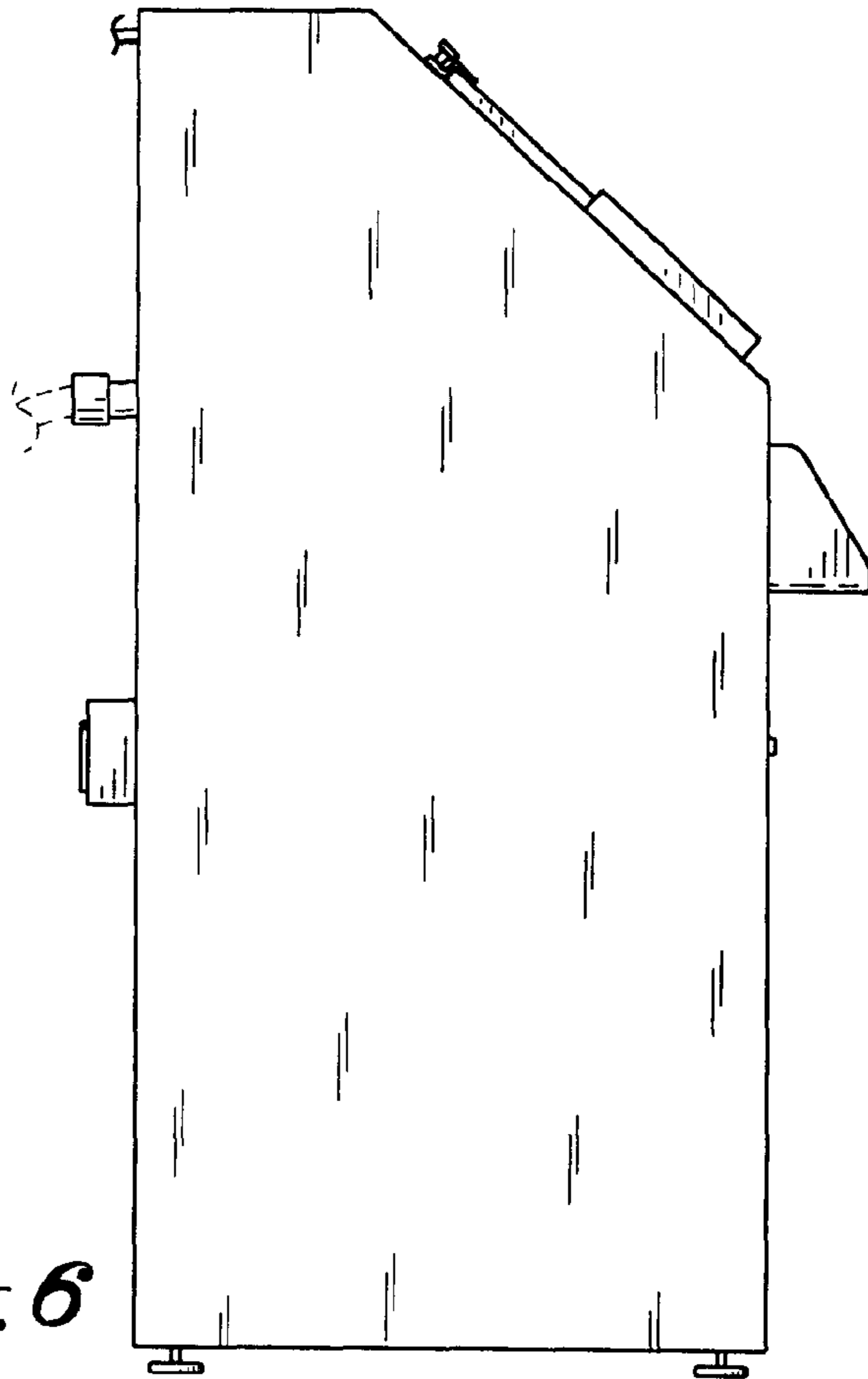


Fig. 6