



US00D534556S

(12) **United States Design Patent**  
**Lee et al.**

(10) **Patent No.:** **US D534,556 S**  
(45) **Date of Patent:** **\*\* Jan. 2, 2007**

(54) **REFRIGERATOR**

(75) Inventors: **Young Seok Lee**, Seoul (KR); **Hyung Jun Kim**, Kyunggi-do (KR)

(73) Assignee: **Samsung Electronics Co., Ltd.** (KR)

(\*\*) Term: **14 Years**

(21) Appl. No.: **29/257,222**

(22) Filed: **Mar. 30, 2006**

(30) **Foreign Application Priority Data**

Dec. 7, 2005 (KR) ..... 30-2005-0041209

(51) **LOC (8) Cl.** ..... **15-07**

(52) **U.S. Cl.** ..... **D15/85**

(58) **Field of Classification Search** ..... D15/79-82,  
D15/85-88; 62/3.1, 3.63, 3.64, 389, 391,  
62/440, 249; 312/401, 402, 404, 405, 405.1,  
312/408, 116, 138.1

See application file for complete search history.

(56) **References Cited**

**U.S. PATENT DOCUMENTS**

D147,921 S \* 11/1947 Money et al. .... D15/85

D147,922 S \* 11/1947 Money et al. .... D15/85  
D308,212 S \* 5/1990 Dallman ..... D15/85  
D368,916 S \* 4/1996 Pawlowski et al. .... D15/79

\* cited by examiner

*Primary Examiner*—Mitchell Siegel

*Assistant Examiner*—Shanda C. Hill

(74) *Attorney, Agent, or Firm*—Irving Keschner

(57) **CLAIM**

The ornamental design for a refrigerator, as shown and described.

**DESCRIPTION**

FIG. 1 is a perspective view of a refrigerator showing my new design;

FIG. 2 is a front elevational view thereof;

FIG. 3 is a rear elevational view thereof;

FIG. 4 is a left side elevational thereof;

FIG. 5 is a right side elevational view thereof;

FIG. 6 is a top plan view thereof;

FIG. 7 is a bottom plan view thereof; and,

FIG. 8 is a perspective view of thereof, shown in an open position.

**1 Claim, 6 Drawing Sheets**

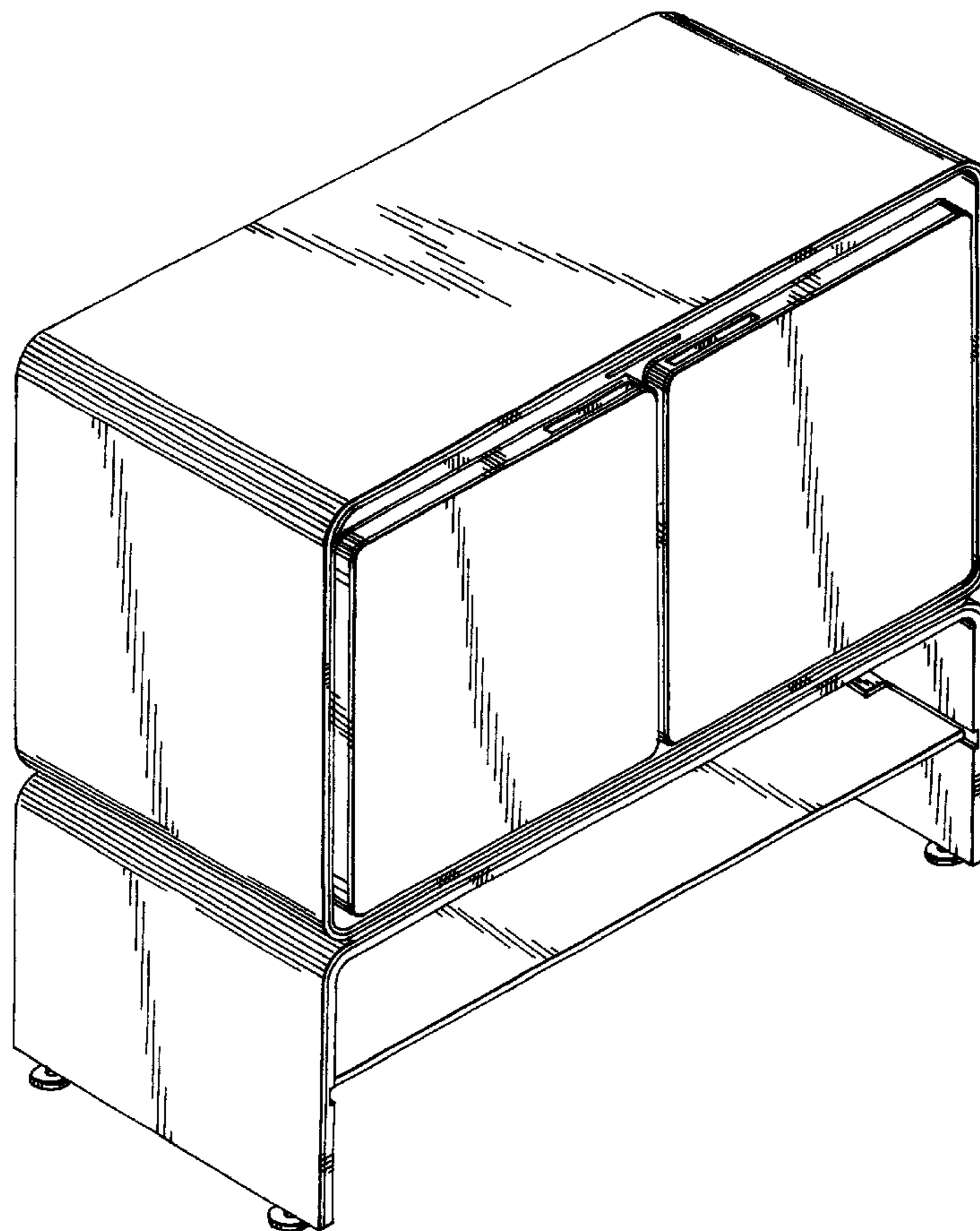
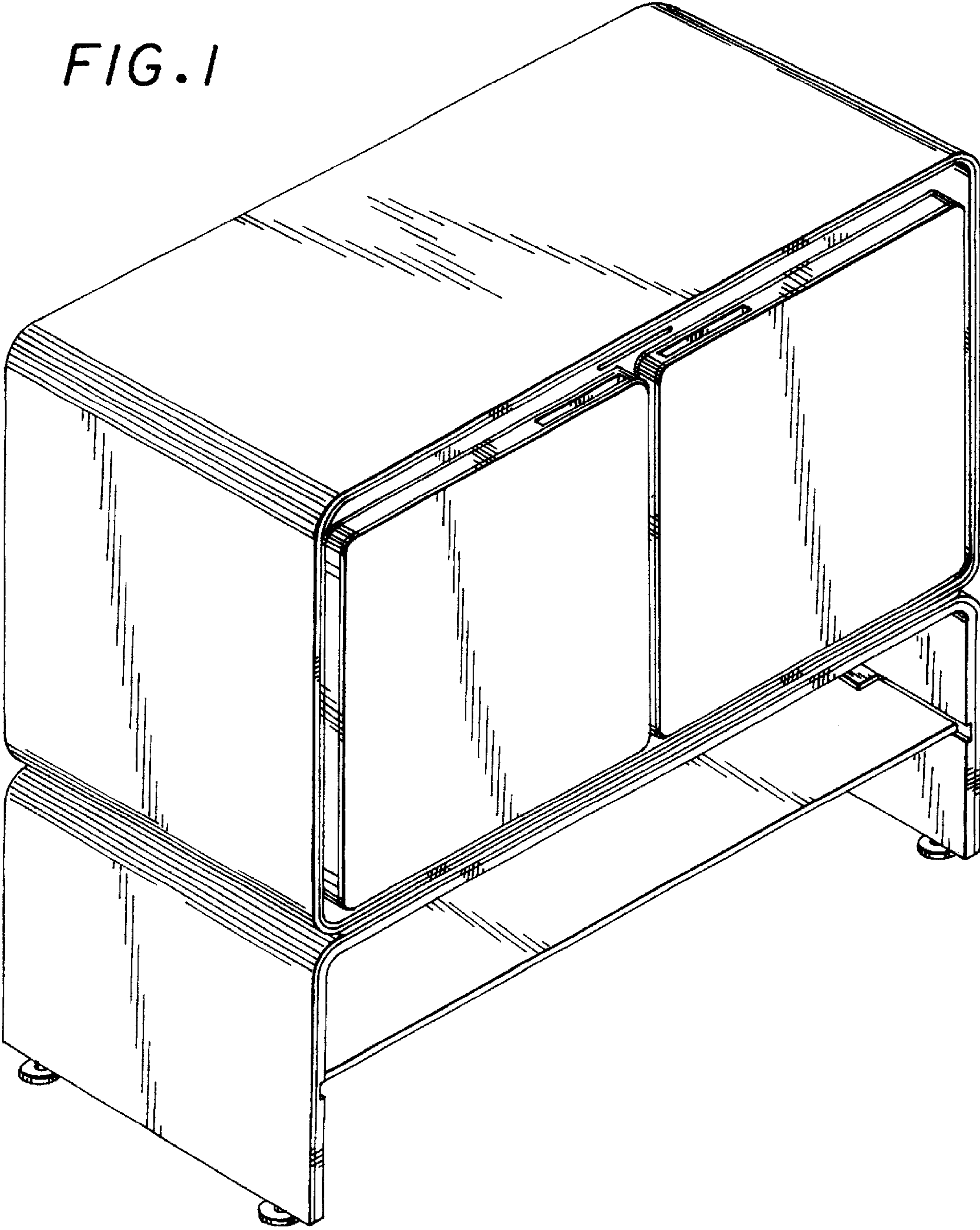


FIG. 1



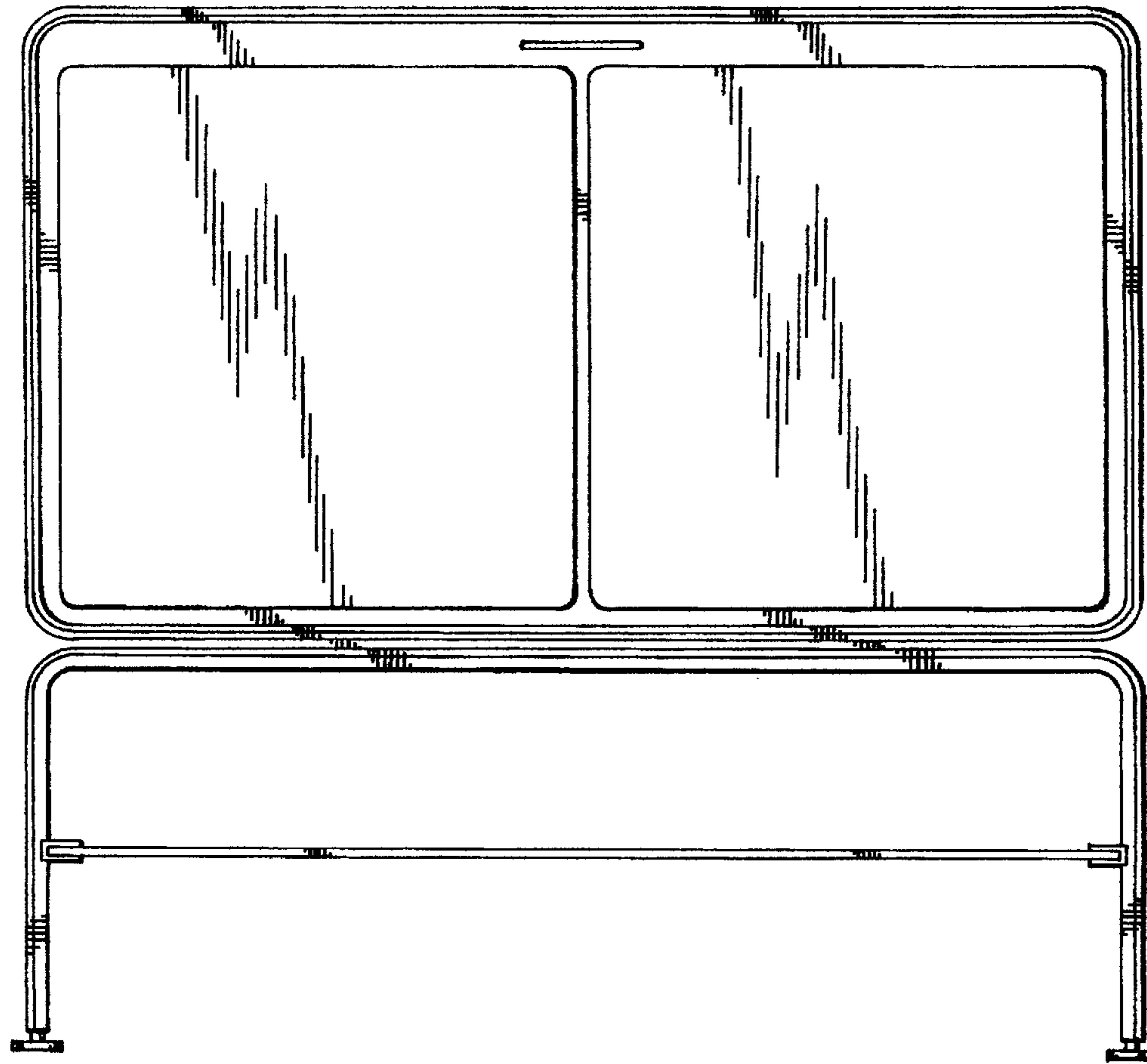


FIG. 2

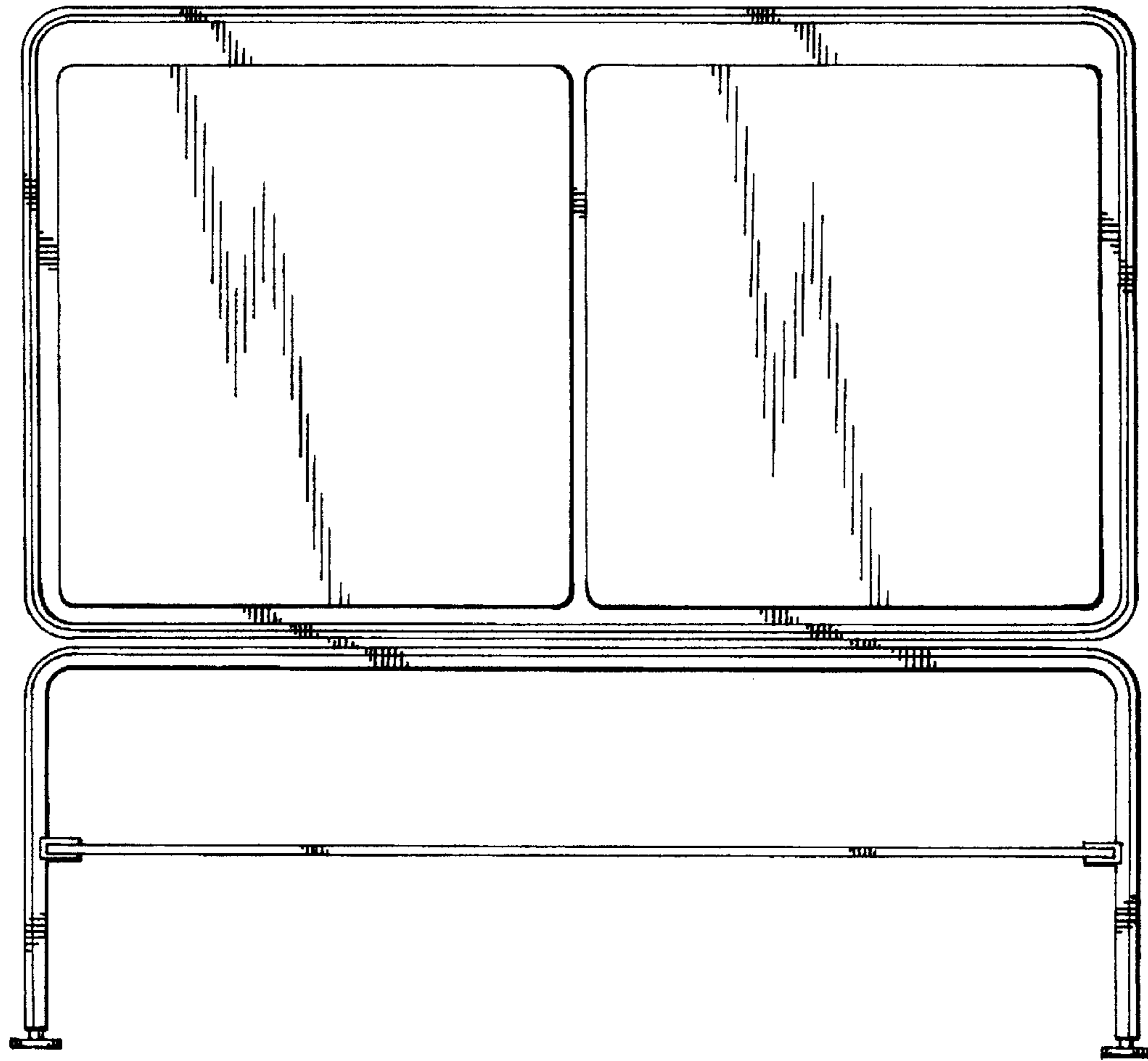
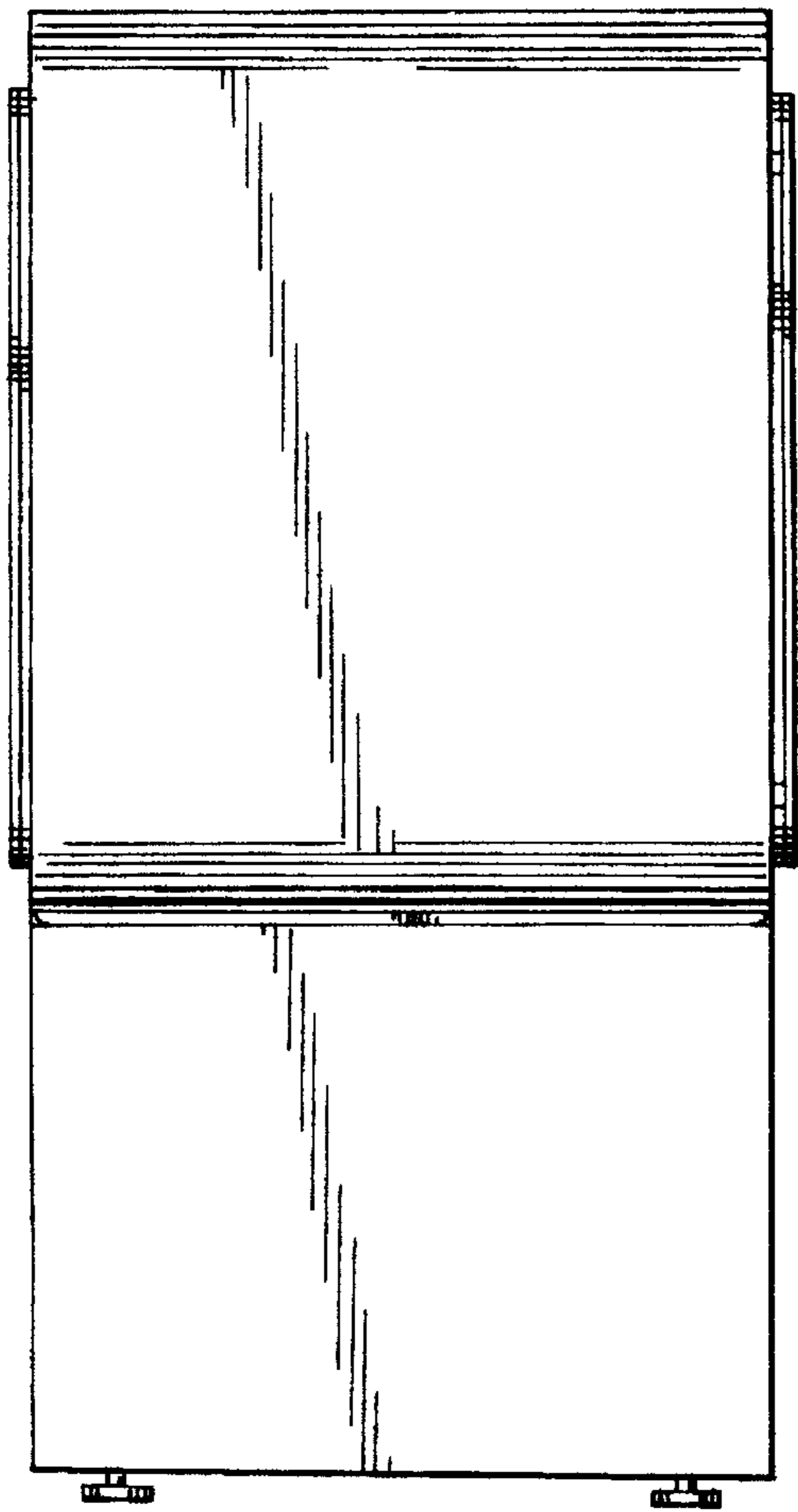
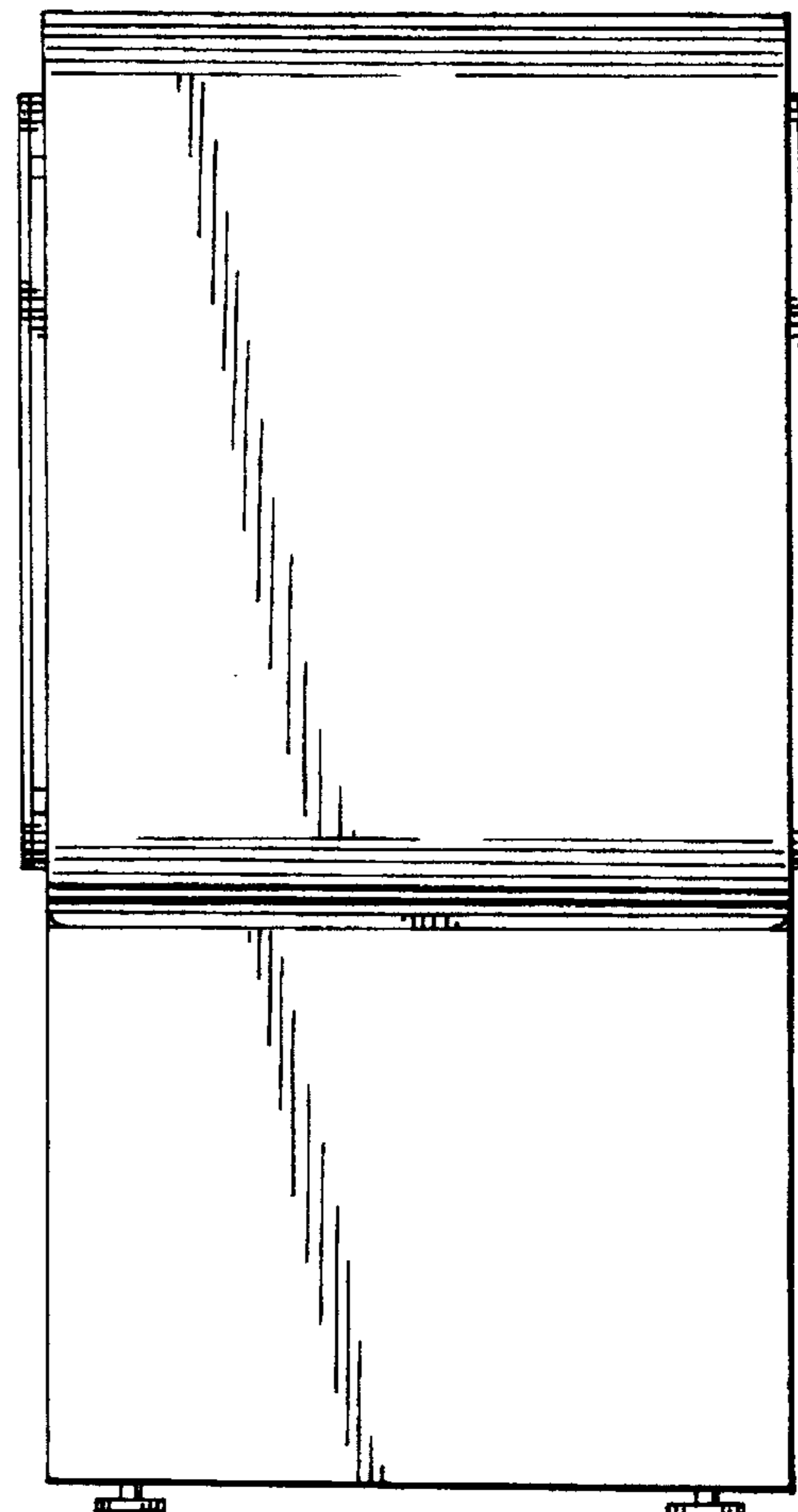


FIG. 3



*FIG. 4*



*FIG. 5*

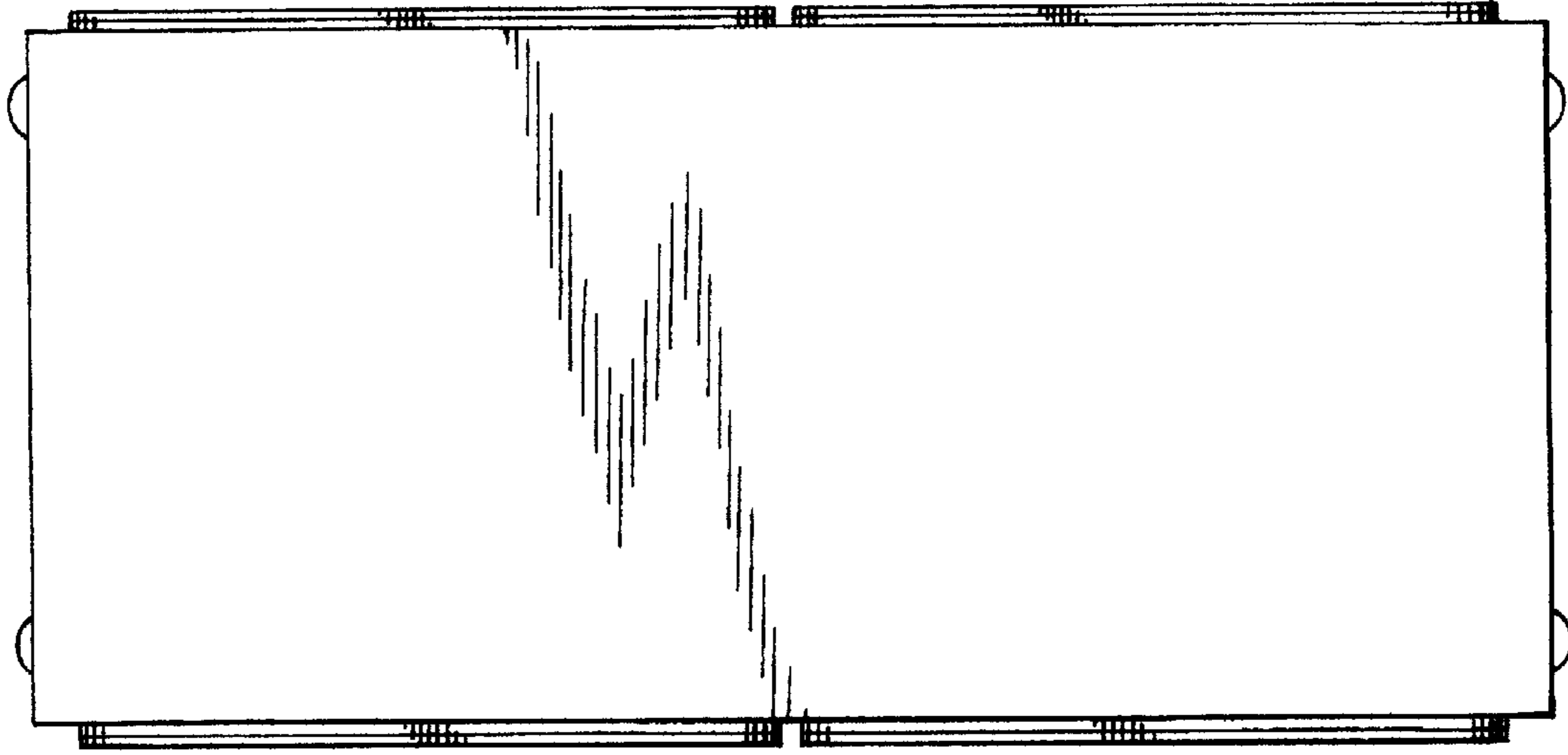


FIG. 6

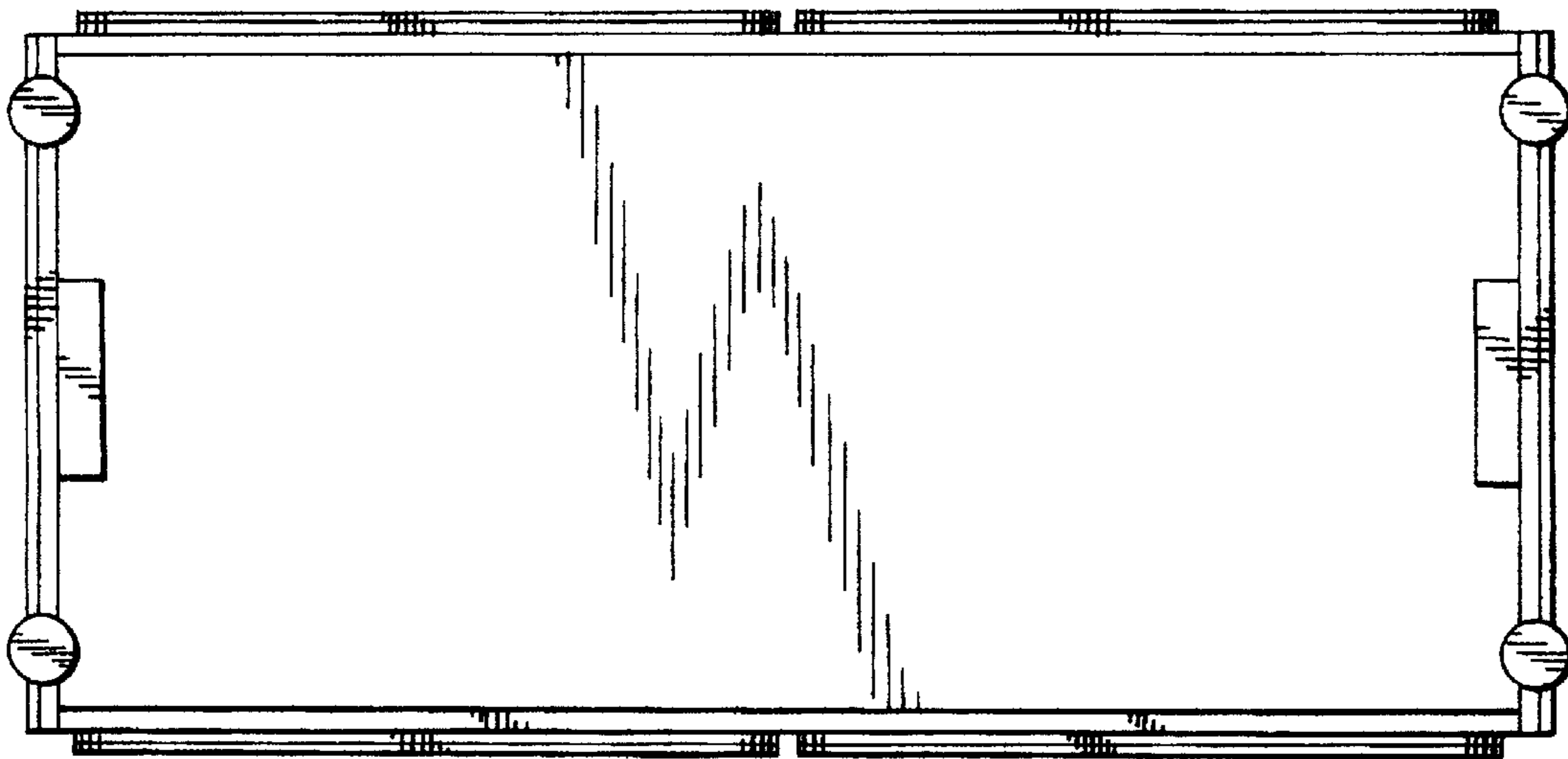


FIG. 7

*FIG. 8*

