



US00D534555S

(12) **United States Design Patent**  
**Kim et al.**

(10) **Patent No.:** **US D534,555 S**

(45) **Date of Patent:** **\*\* Jan. 2, 2007**

(54) **REFRIGERATOR**

(75) Inventors: **Jeong Min Kim**, Seoul (KR); **Hea Me Lee**, Seoul (KR); **Young Min Park**, Seoul (KR)

(73) Assignee: **Samsung Electronics Co., Ltd.** (KR)

(\*\*) Term: **14 Years**

(21) Appl. No.: **29/255,737**

(22) Filed: **Mar. 9, 2006**

(30) **Foreign Application Priority Data**

Nov. 18, 2005 (KR) ..... 30-2005-0038937

(51) **LOC (8) Cl.** ..... **15-07**

(52) **U.S. Cl.** ..... **D15/85**

(58) **Field of Classification Search** ..... D15/79-82,  
D15/85-88; 62/3.1, 3.63, 3.64, 389, 391,  
62/440; 312/116, 138.1, 401, 402, 404, 405,  
312/405.1, 408

See application file for complete search history.

(56) **References Cited**

**U.S. PATENT DOCUMENTS**

D415,504 S \* 10/1999 Han ..... D15/85

D477,336 S \* 7/2003 Kwak et al. .... D15/85  
D477,340 S \* 7/2003 Kim et al. .... D15/85  
D496,055 S \* 9/2004 Kim ..... D15/85  
D513,015 S \* 12/2005 Doh et al. .... D15/85  
D515,597 S \* 2/2006 Park et al. .... D15/85  
D518,833 S \* 4/2006 Kwak et al. .... D15/85  
2003/0132689 A1 \* 7/2003 Shin ..... 312/405

\* cited by examiner

*Primary Examiner*—Mitchell Siegel

*Assistant Examiner*—Shanda C. Hill

(74) *Attorney, Agent, or Firm*—Irving Keschner

(57) **CLAIM**

The ornamental design for refrigerator, as shown.

**DESCRIPTION**

FIG. 1 is a perspective view of a refrigerator showing our new design;

FIG. 2 is a front elevational view thereof;

FIG. 3 is a rear elevational view thereof;

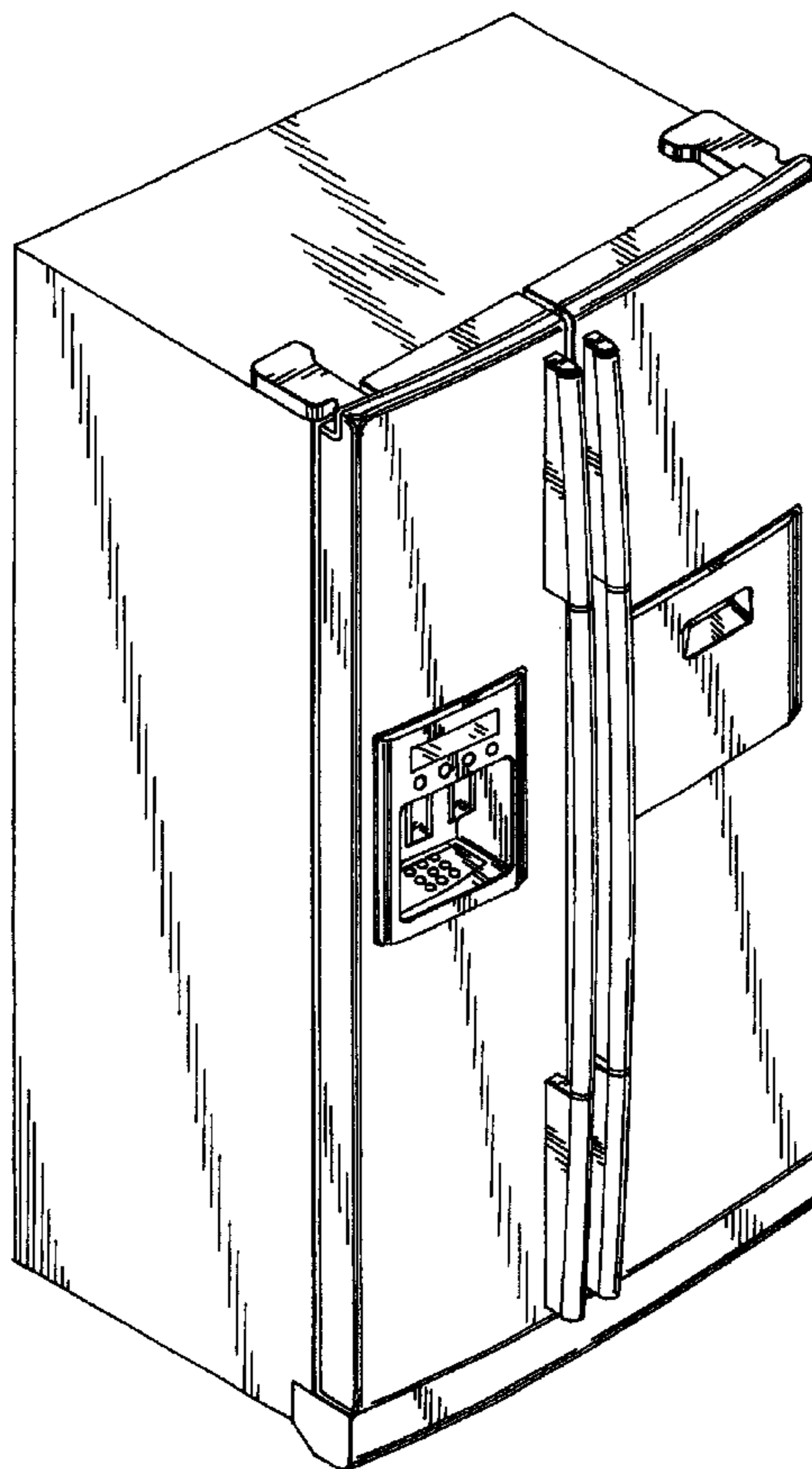
FIG. 4 is a left side elevational thereof;

FIG. 5 is a right side elevational view thereof;

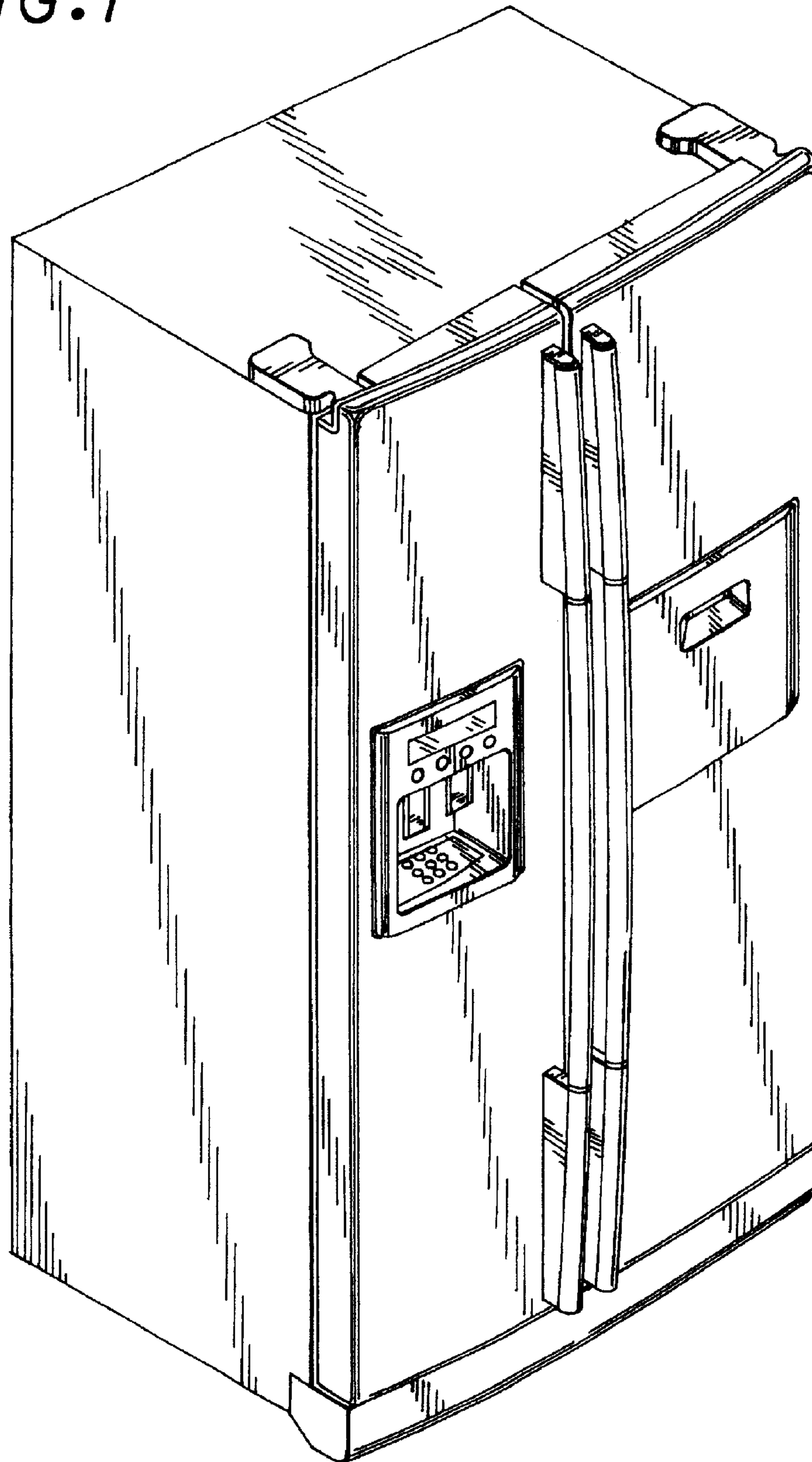
FIG. 6 is a top plan view thereof; and,

FIG. 7 is a bottom plan view thereof.

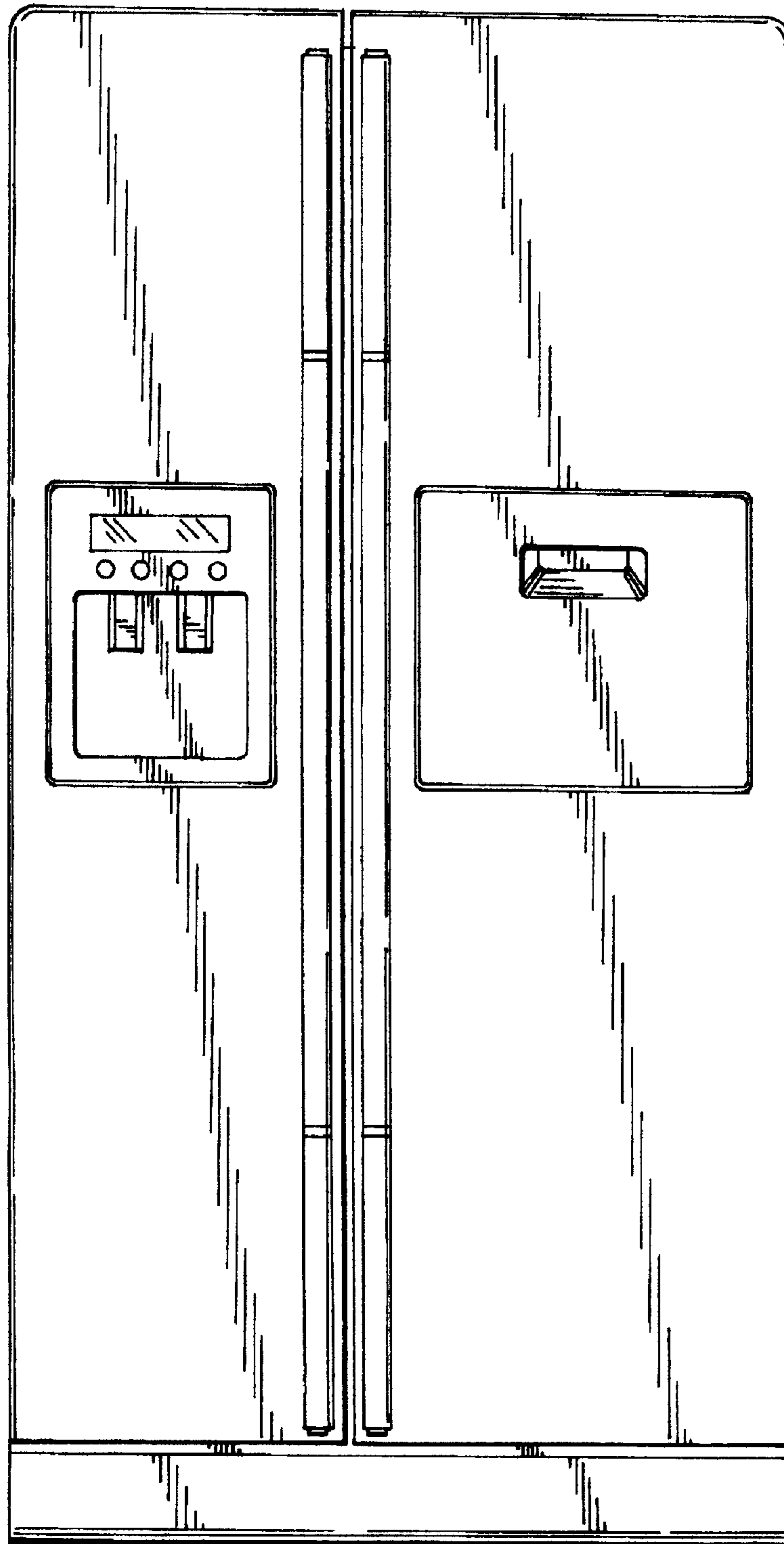
**1 Claim, 6 Drawing Sheets**



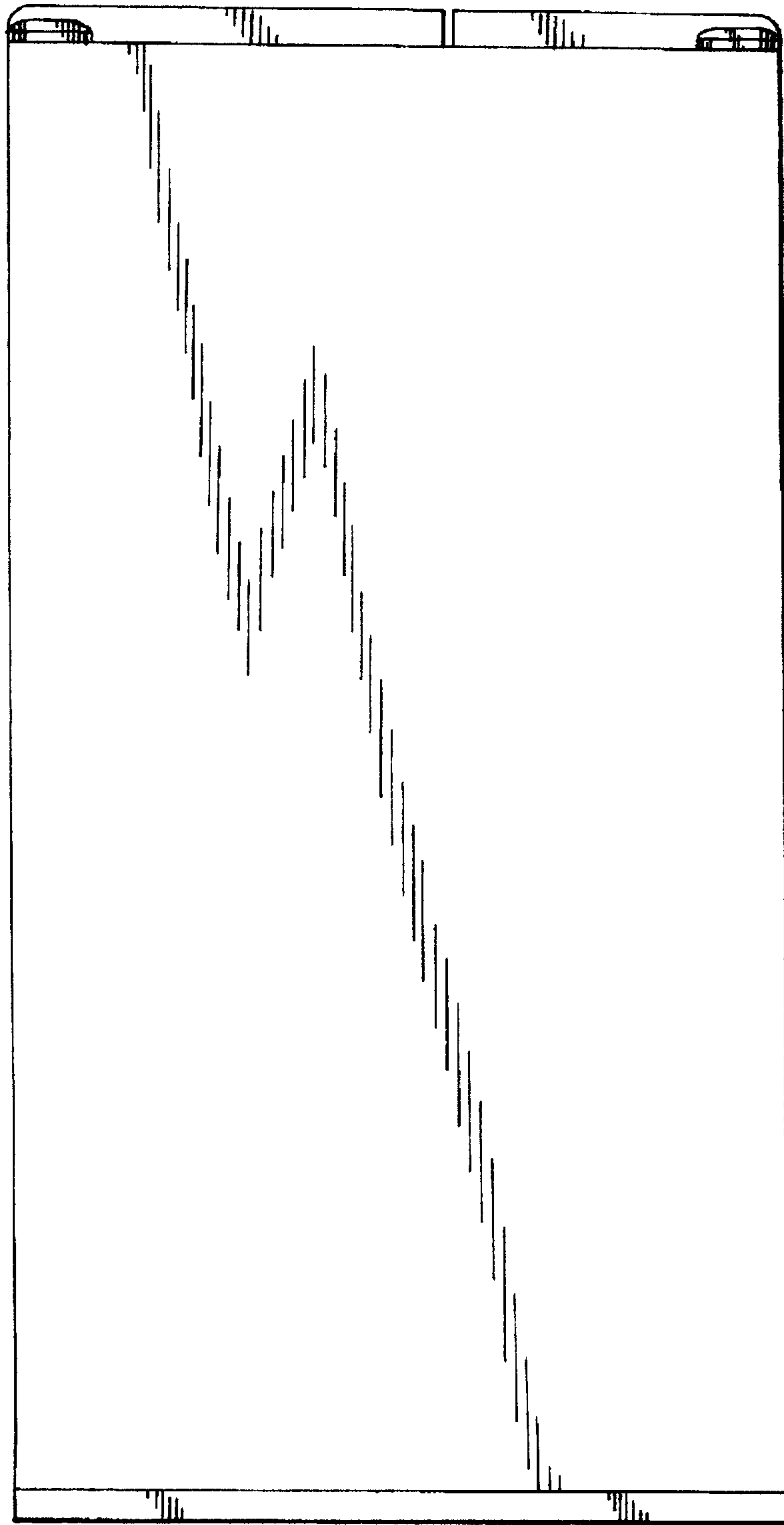
*FIG. 1*



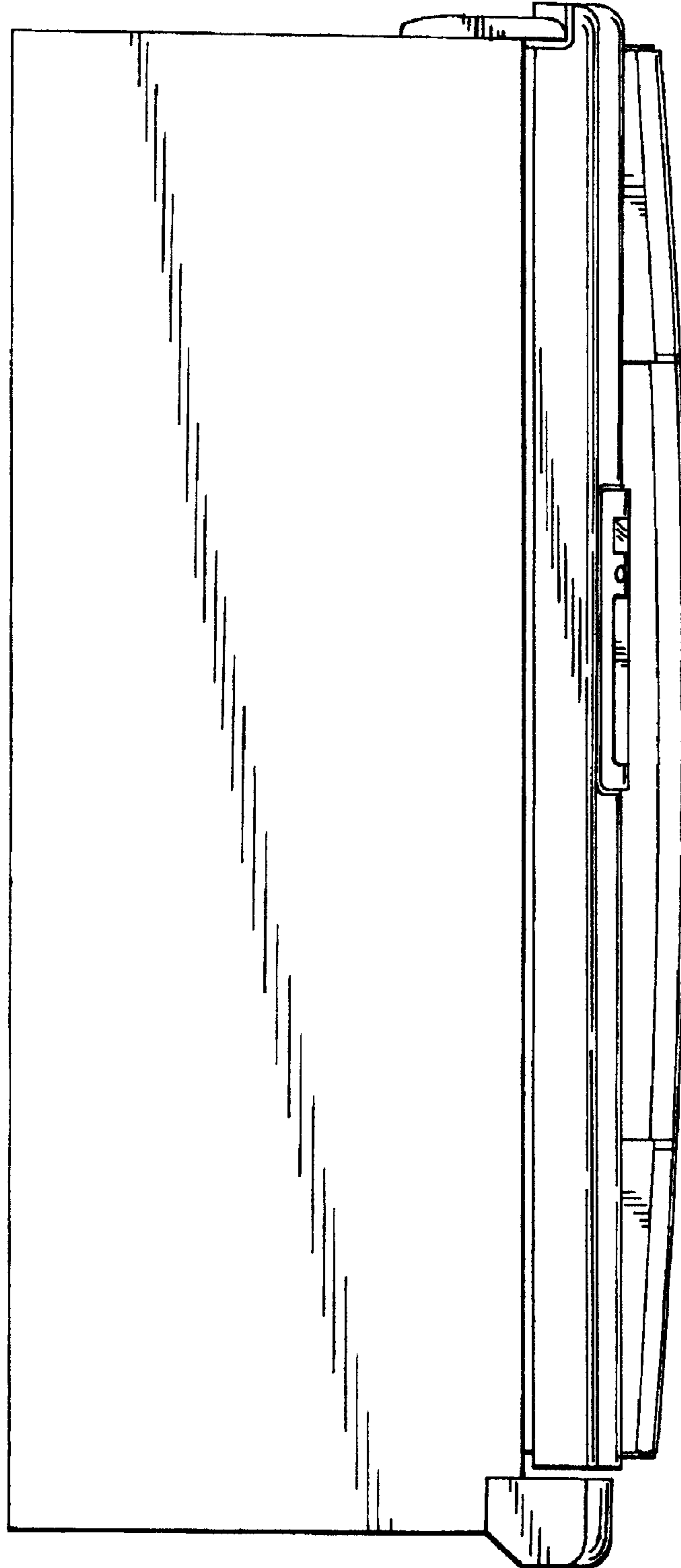
*FIG. 2*



*FIG. 3*



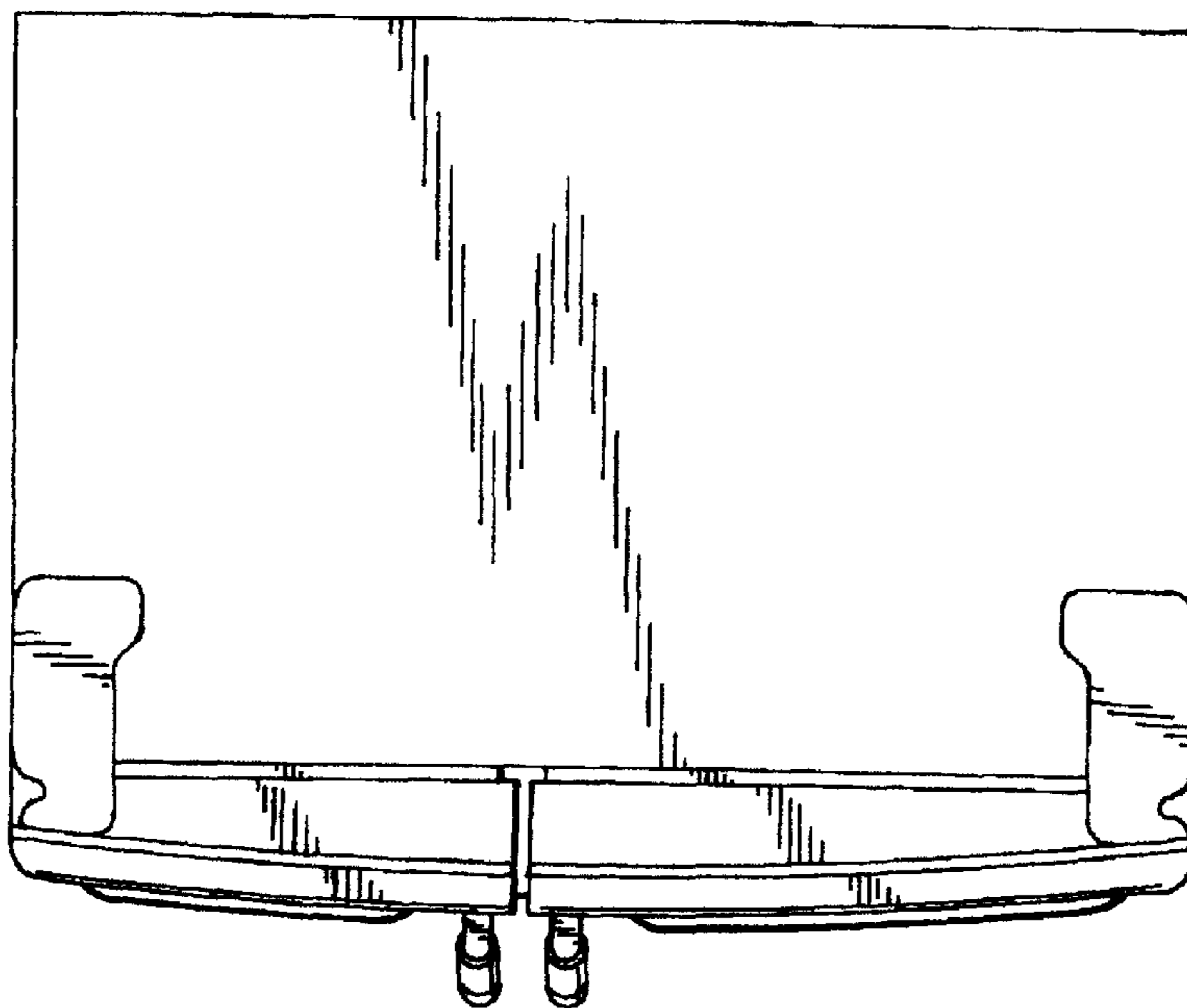
*FIG. 4*



*FIG. 5*



*FIG. 6*



*FIG. 7*

