



US00D534554S

(12) **United States Design Patent**
Kim et al.

(10) **Patent No.:** **US D534,554 S**
(45) **Date of Patent:** **** Jan. 2, 2007**

(54) **REFRIGERATOR**

(75) Inventors: **Jeong Min Kim**, Seoul (KR); **Yun Ho Yang**, Seoul (KR); **Eun Ha Choi**, Seoul (KR)

(73) Assignee: **Samsung Electronics Co., Ltd.** (KR)

(**) Term: **14 Years**

(21) Appl. No.: **29/245,646**

(22) Filed: **Dec. 27, 2005**

(30) **Foreign Application Priority Data**

Aug. 31, 2005 (KR) 30-2005-0029395

(51) **LOC (8) Cl.** **15-07**

(52) **U.S. Cl.** **D15/85**

(58) **Field of Classification Search** D15/79-82,
D15/85-88; 62/3.1, 3.63, 3.64, 389, 391,
62/440; 312/116, 138.1, 401, 402, 404, 405,
312/405.1, 408

See application file for complete search history.

(56) **References Cited**

U.S. PATENT DOCUMENTS

- D467,597 S * 12/2002 Min et al. D15/85
- D496,373 S * 9/2004 Jang D15/85
- 2003/0080661 A1 * 5/2003 Ahmed et al. 312/405.1
- 2003/0102787 A1 * 6/2003 Whitaker et al. 312/405.1
- 2004/0263037 A1 * 12/2004 Ritchie et al. 312/405.1

2005/0093408 A1 * 5/2005 Koloff et al. 312/404

* cited by examiner

Primary Examiner—Mitchell Siegel

Assistant Examiner—Shanda C. Hill

(74) *Attorney, Agent, or Firm*—Irving Keschner

(57) **CLAIM**

The ornamental design for a refrigerator, as shown and described.

DESCRIPTION

FIG. 1 is a perspective view of the ornamental design of the present invention;

FIG. 2 is a front elevational view of the ornamental design of the present invention;

FIG. 3 is a rear elevational view of the ornamental design of the present invention;

FIG. 4 is a left side elevational view of the ornamental design of the present invention;

FIG. 5 is a right side elevational view of the ornamental design of the present invention;

FIG. 6 is a top plan view of the ornamental design of the present invention;

FIG. 7 is a bottom view of the ornamental design of the present invention; and,

FIG. 8 is a perspective view of the ornamental design of the present invention illustrating the refrigerator of the present invention in the open position.

1 Claim, 7 Drawing Sheets

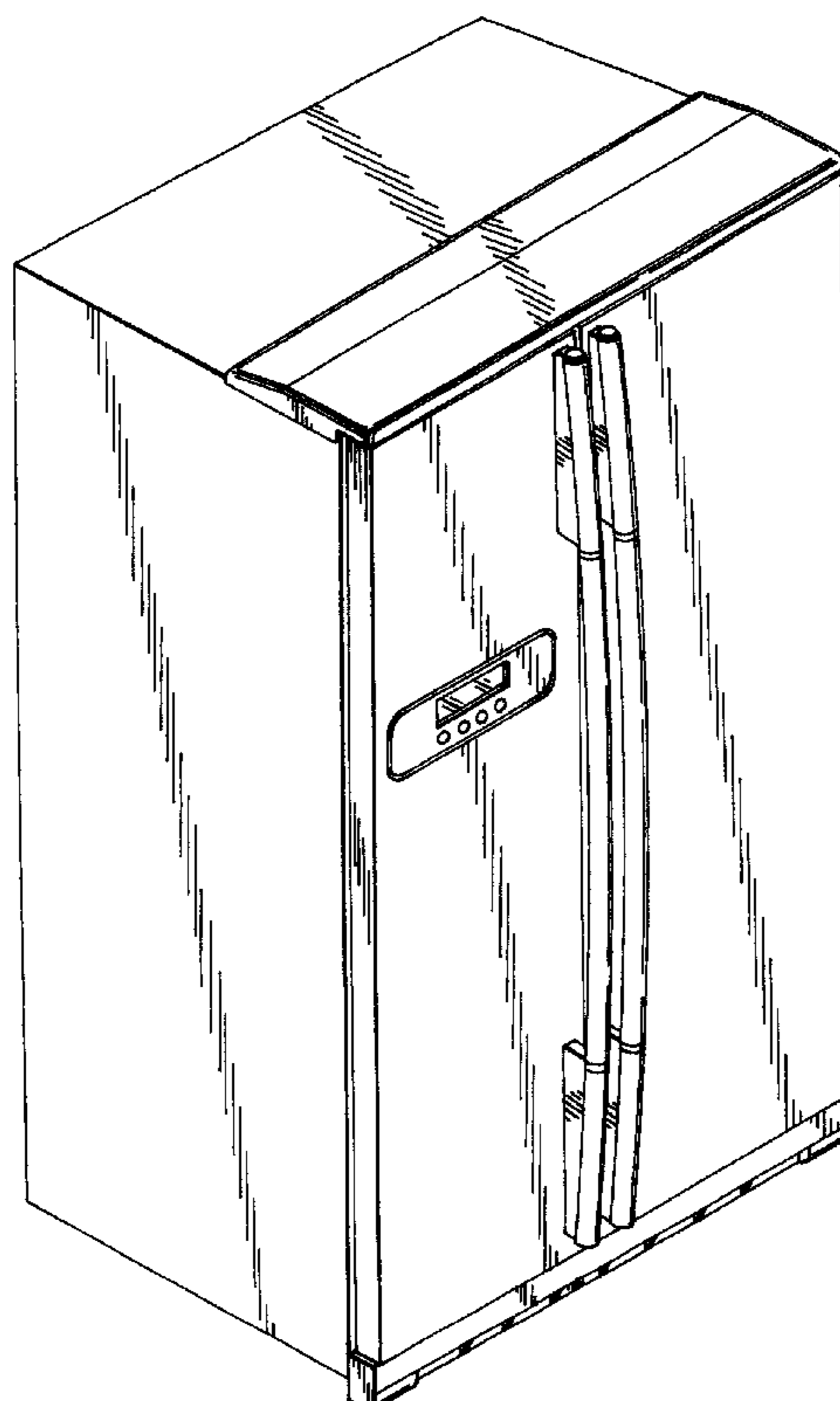


FIG. 1

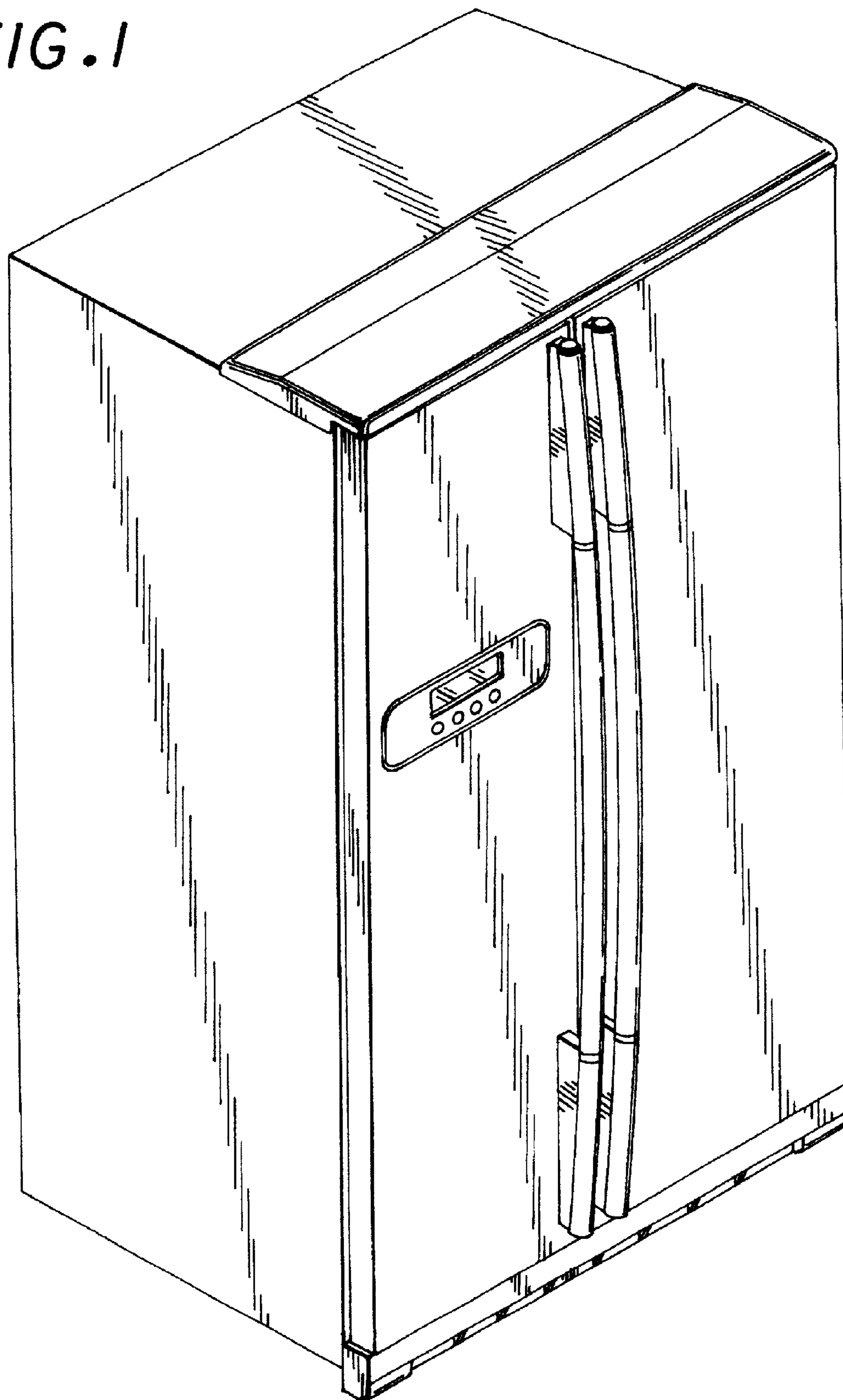


FIG. 2

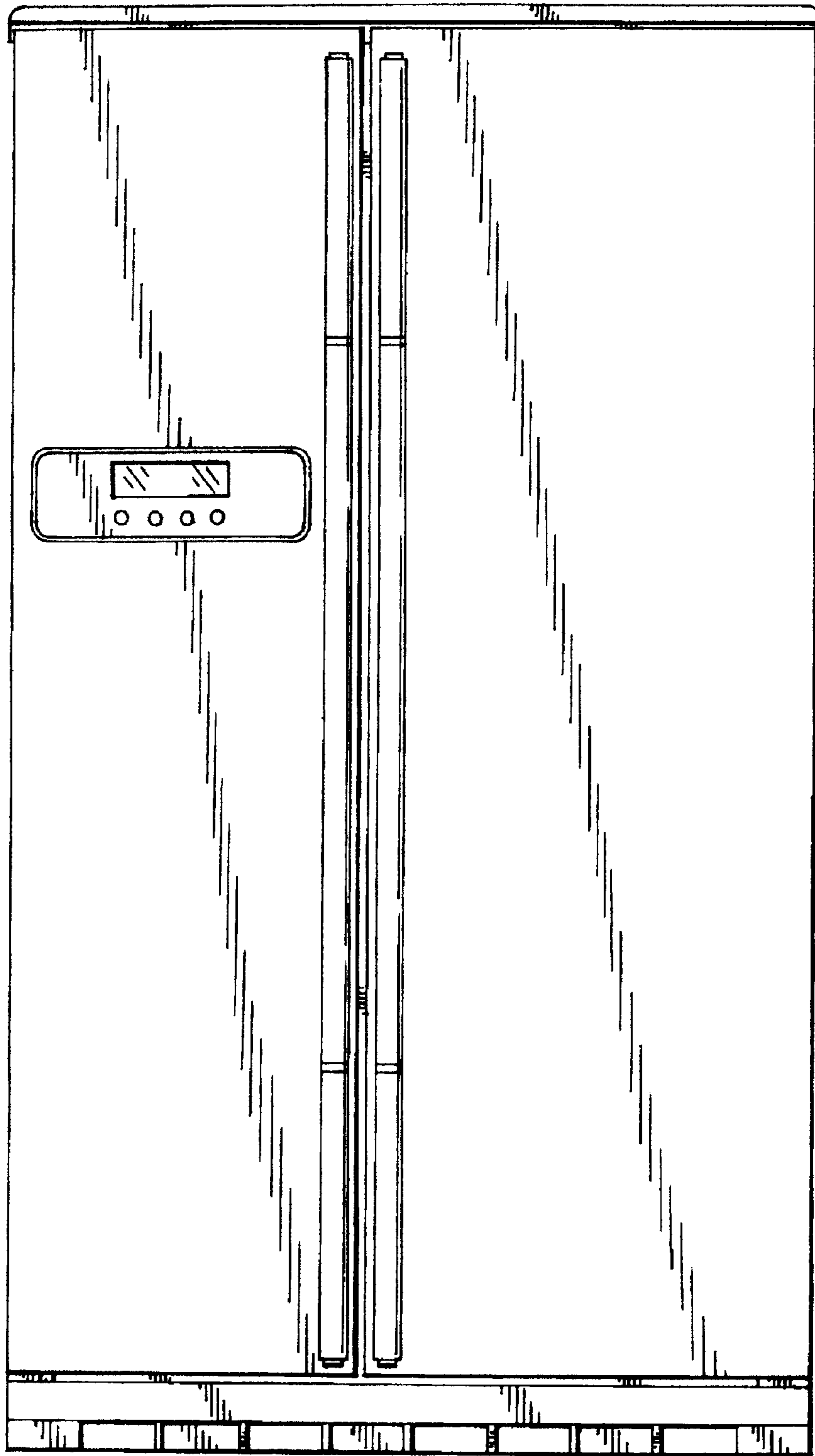


FIG. 3



FIG. 4

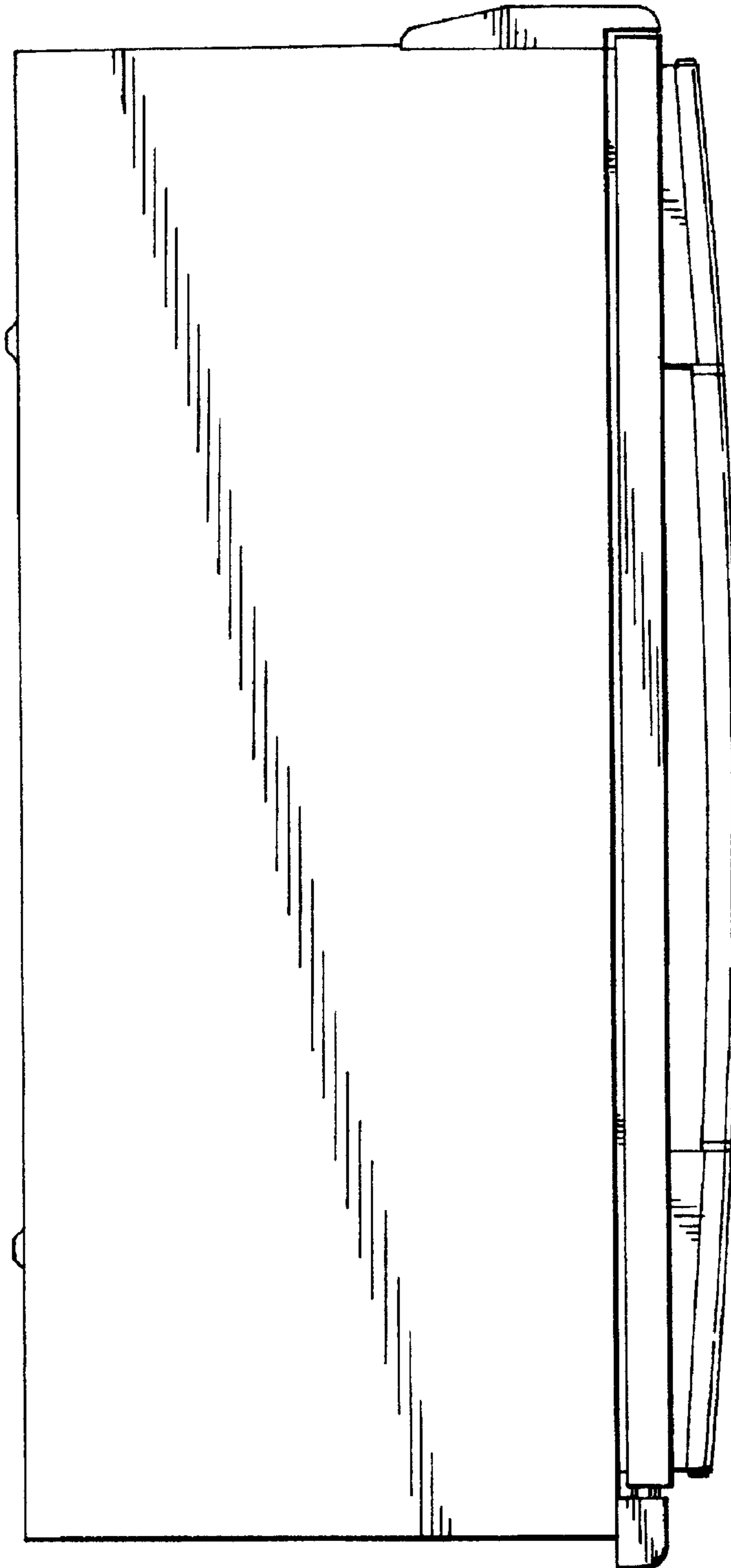


FIG. 5

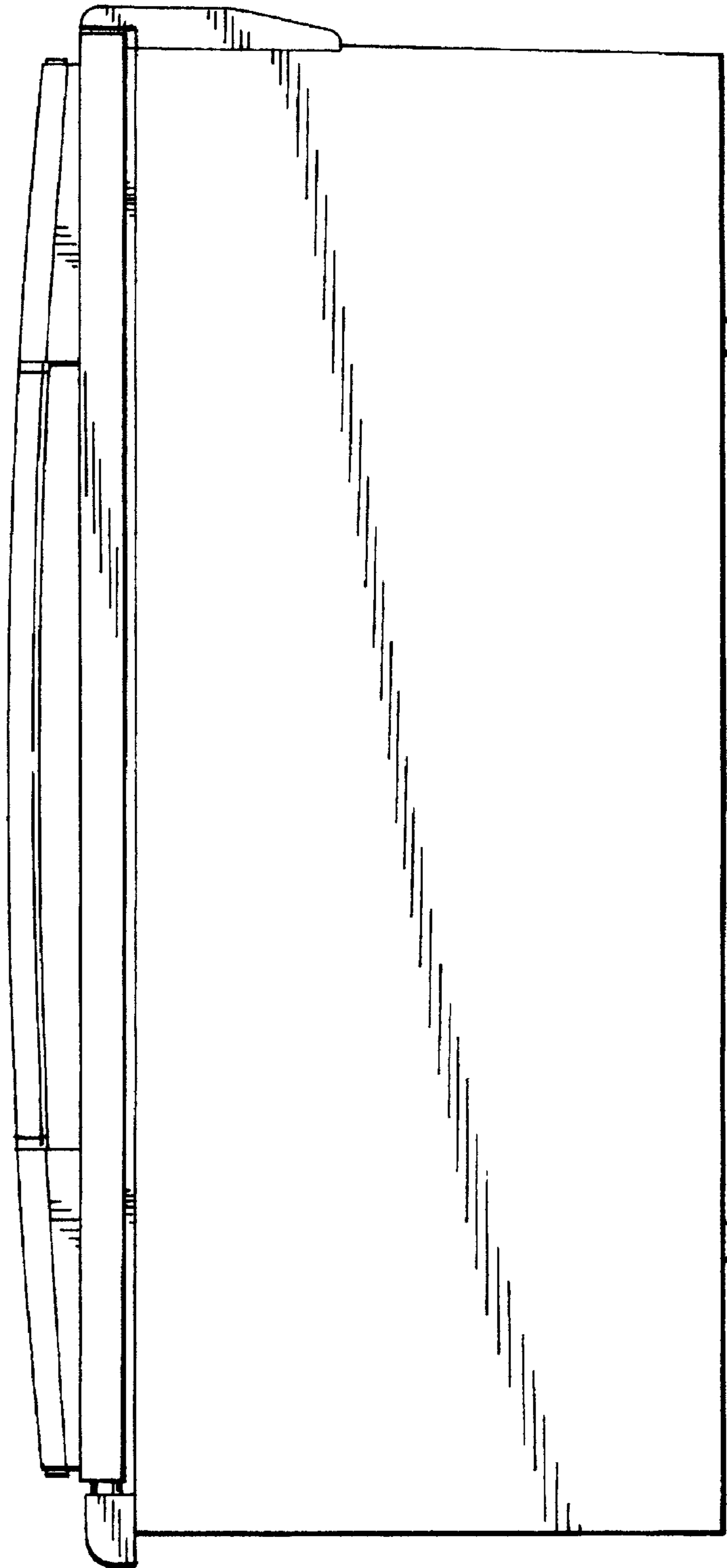


FIG. 6

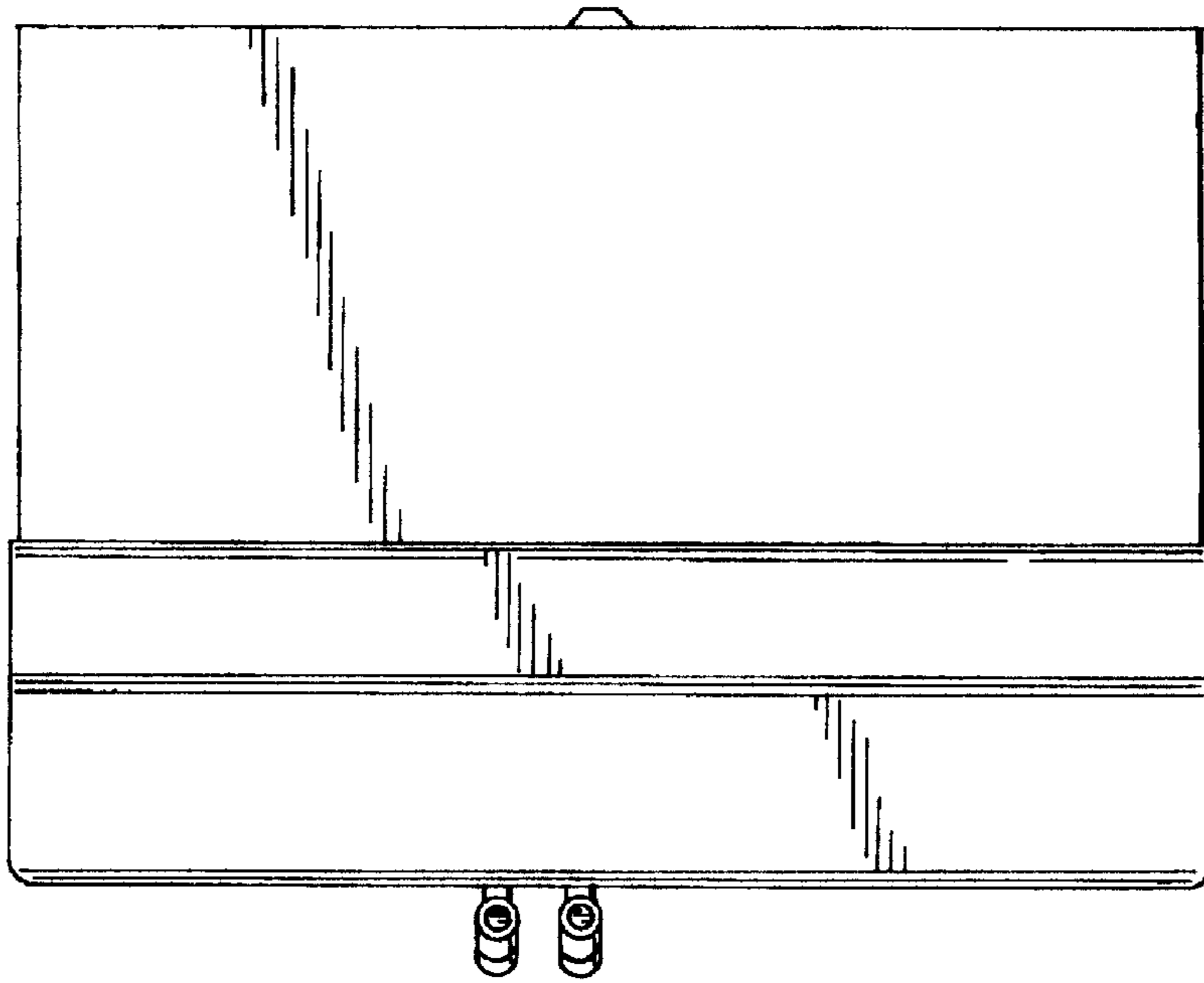


FIG. 7

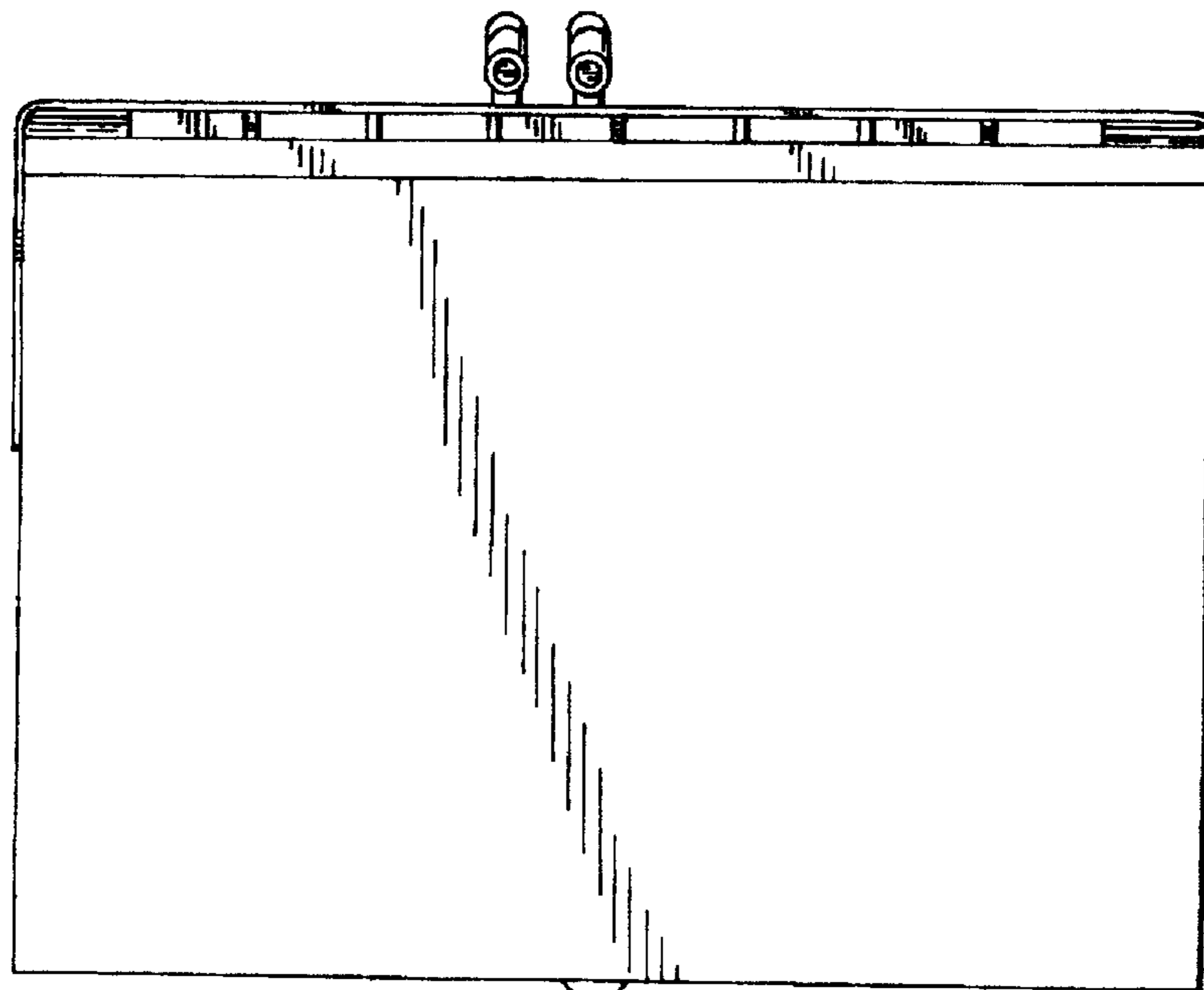


FIG. 8

