

US00D534550S

(12) **United States Design Patent**  
**Beecham**

(10) **Patent No.:** **US D534,550 S**

(45) **Date of Patent:** **\*\* Jan. 2, 2007**

(54) **AIR COMPRESSOR SHROUD**

D515,102 S \* 2/2006 Buck ..... D15/7

(75) Inventor: **Larry Beecham**, Lexington, TN (US)

\* cited by examiner

(73) Assignee: **Midwest Air Technologies, Inc.**,  
Lincolnshire, IL (US)

*Primary Examiner*—R. Seifert

(74) *Attorney, Agent, or Firm*—Greer, Burns & Crain, Ltd.

(\*\*) Term: **14 Years**

(57) **CLAIM**

The ornamental design for an air compressor shroud, as shown and described.

(21) Appl. No.: **29/243,775**

(22) Filed: **Nov. 30, 2005**

**DESCRIPTION**

(51) **LOC (8) Cl.** ..... **15-02**

FIG. 1 is an elevated perspective view of the present air compressor shroud;

(52) **U.S. Cl.** ..... **D15/9**

FIG. 2 is a front view thereof;

(58) **Field of Classification Search** ..... D15/7-9;

FIG. 3 is a rear view thereof;

D23/232, 231; 417/359, 415-416, 410.1,

FIG. 4 is a right side view thereof;

417/321, 265, 405

FIG. 5 is a left side view thereof;

See application file for complete search history.

FIG. 6 is a top view thereof; and,

FIG. 7 is a bottom view thereof.

(56) **References Cited**

The broken line showing of FIGS. 1-7 is for illustrative purposes only and forms no part of the claimed design or a specified embodiment thereof.

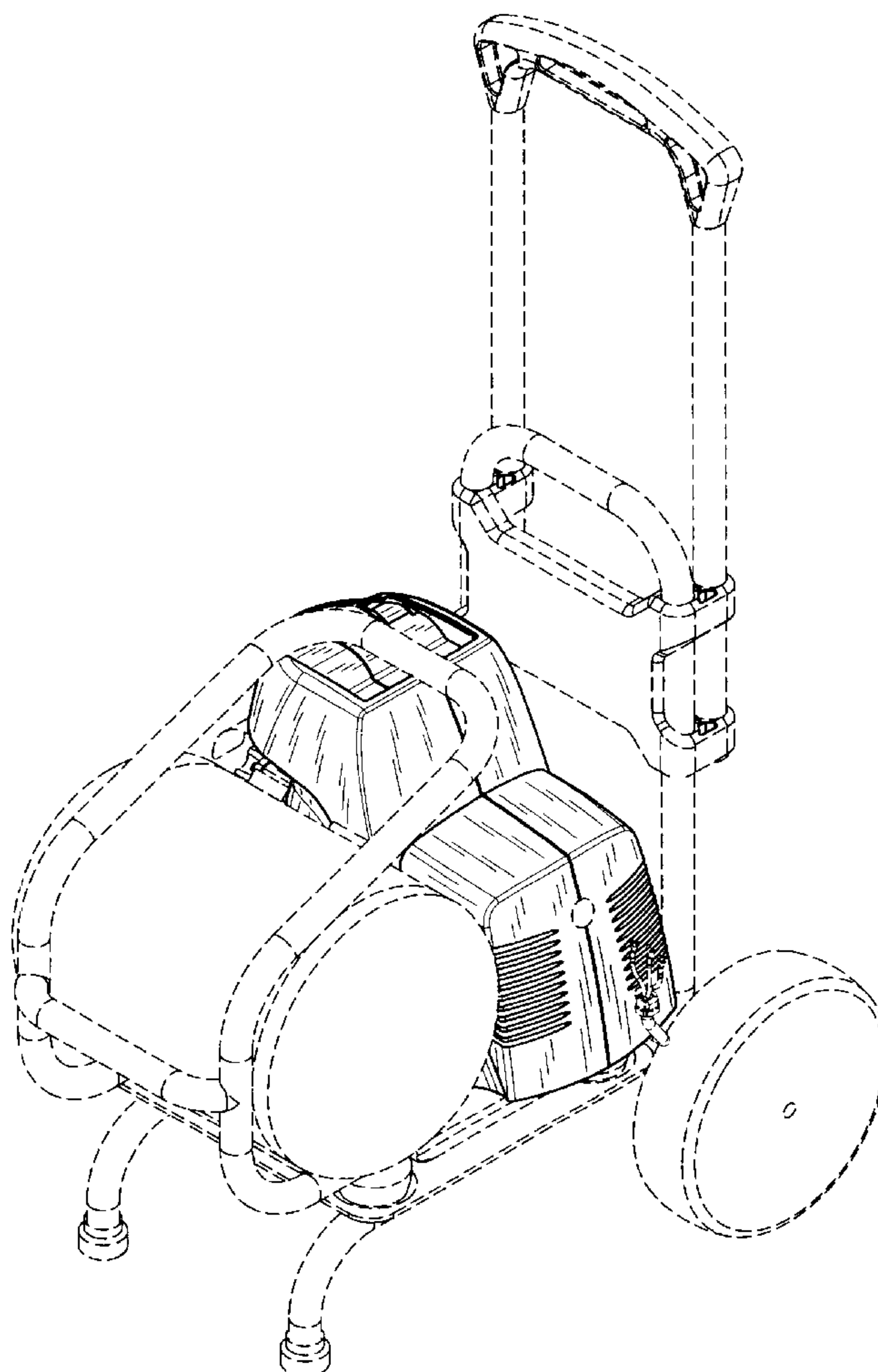
**U.S. PATENT DOCUMENTS**

D491,197 S \* 6/2004 Stilwell et al. .... D15/9

D497,917 S \* 11/2004 Harper et al. .... D15/9

D498,244 S \* 11/2004 Chen ..... D15/7

**1 Claim, 6 Drawing Sheets**



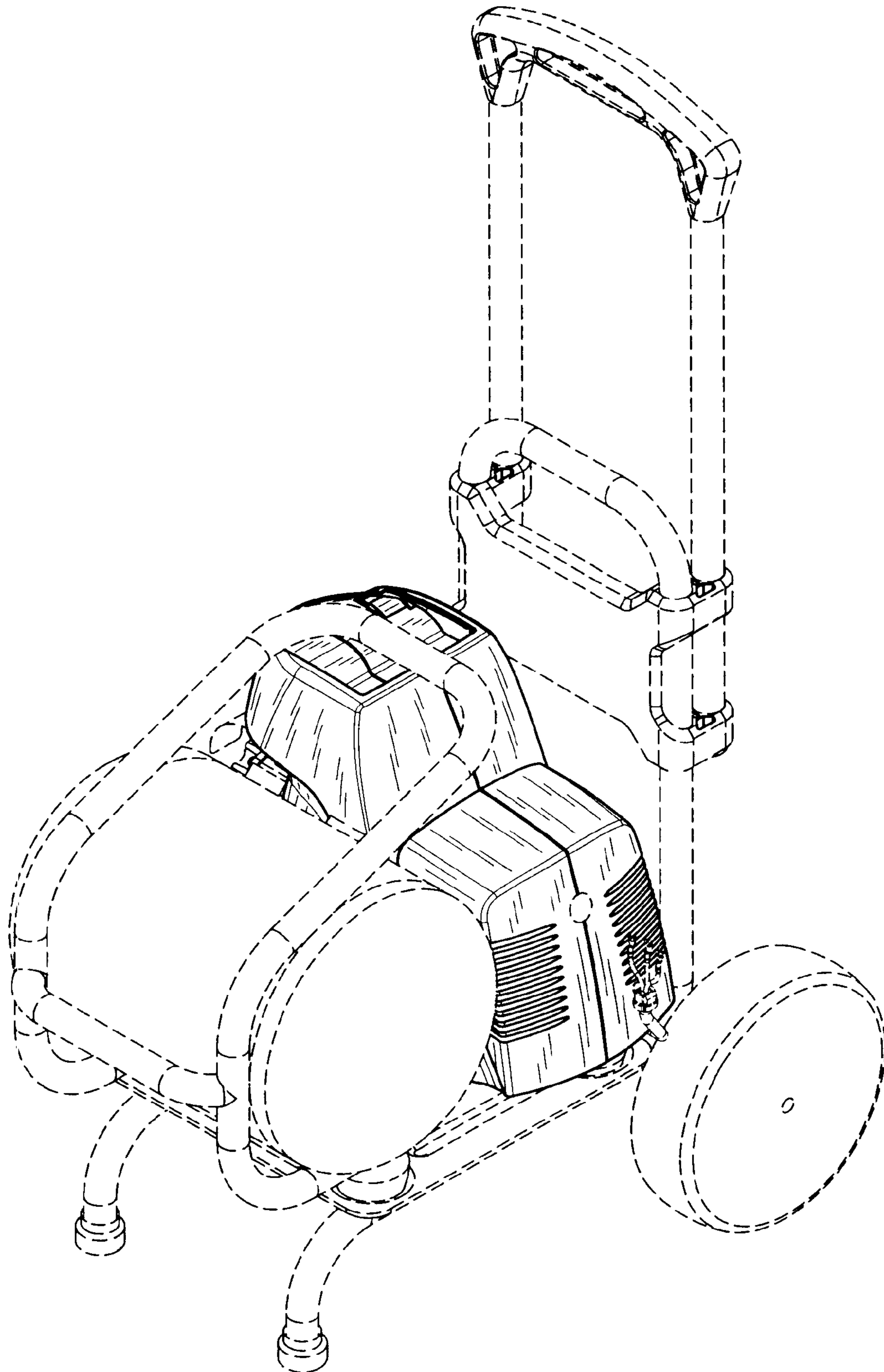


FIG. 1

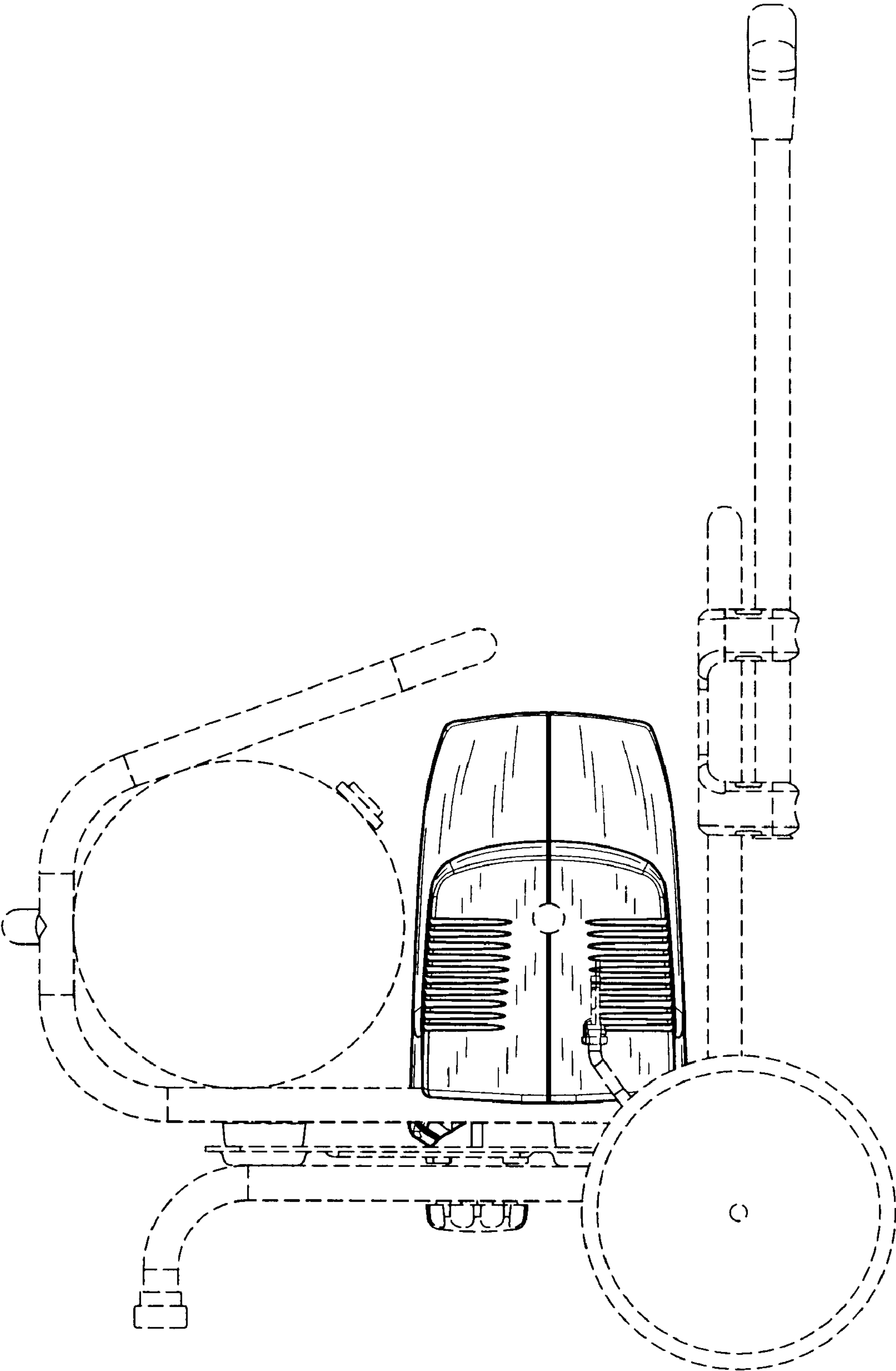


FIG. 2

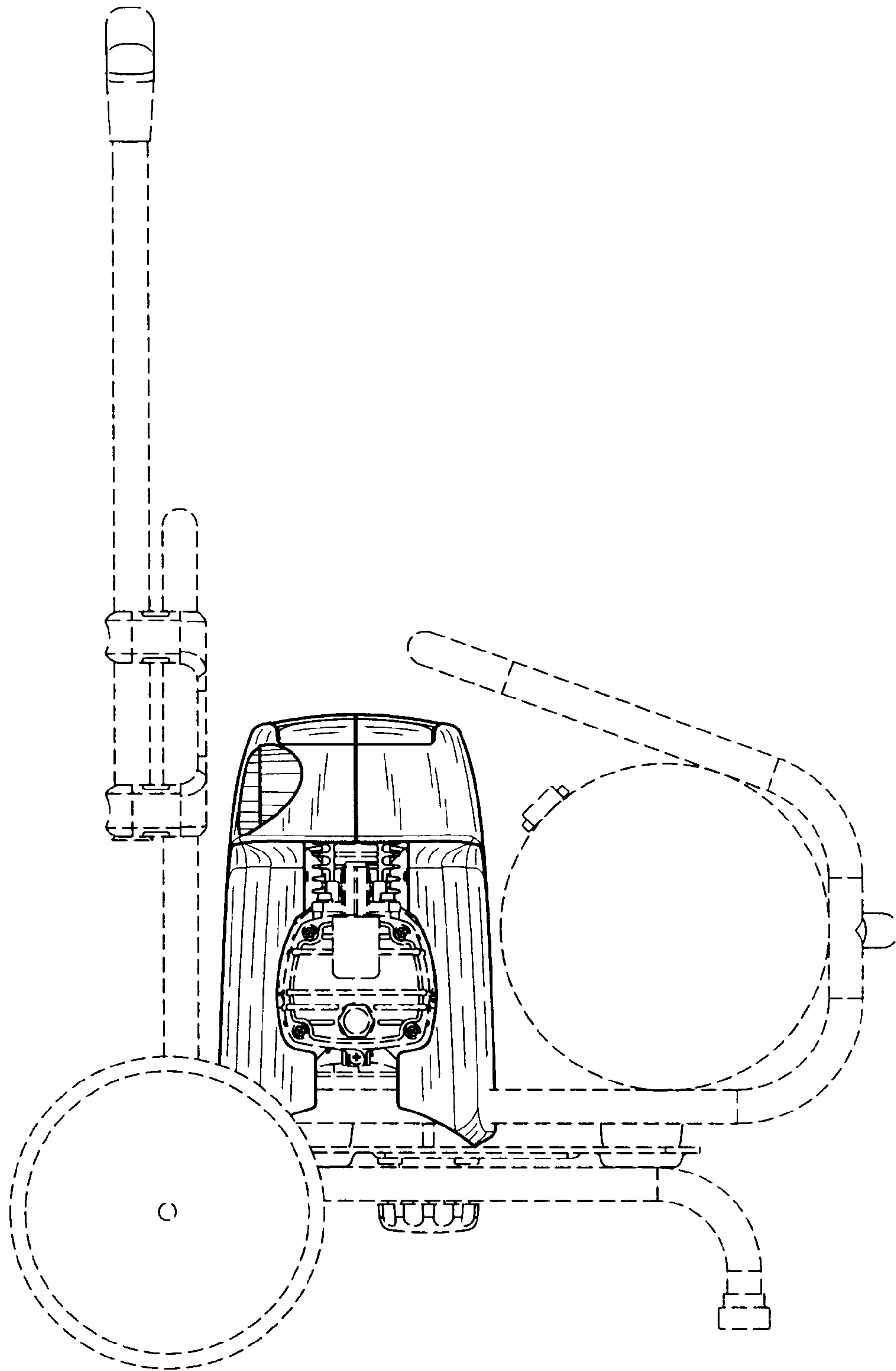
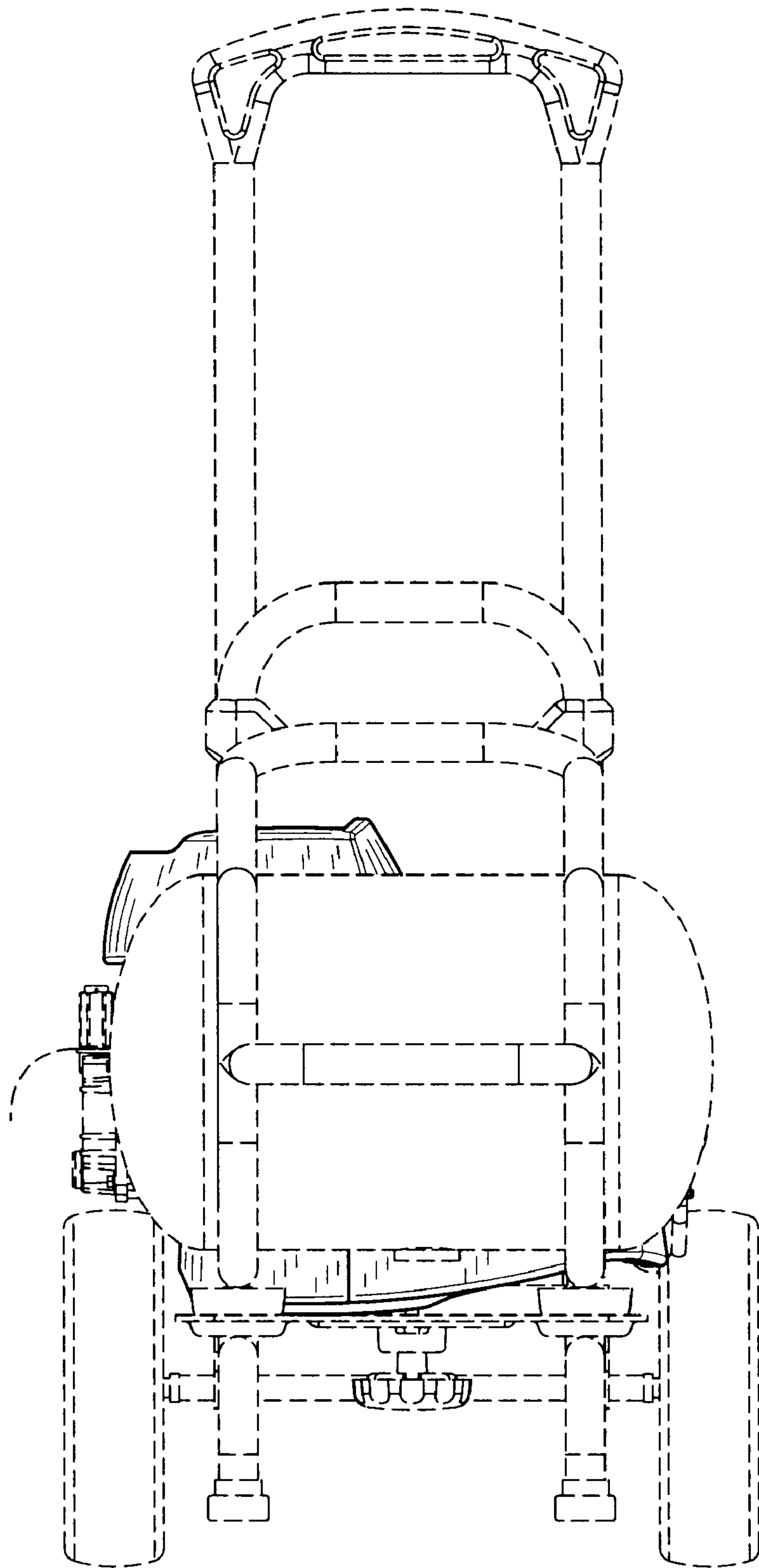


FIG. 3



**FIG. 4**



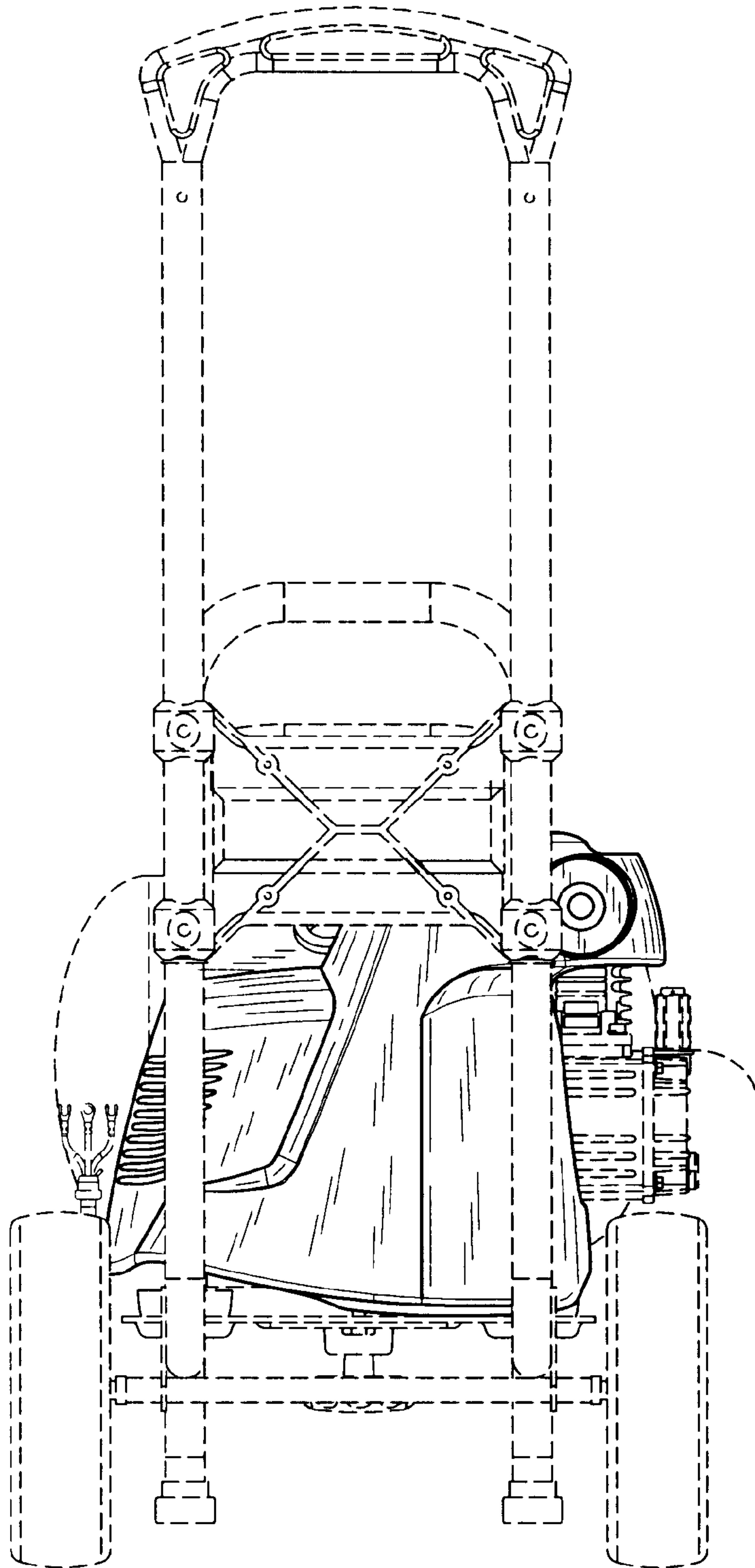


FIG. 5

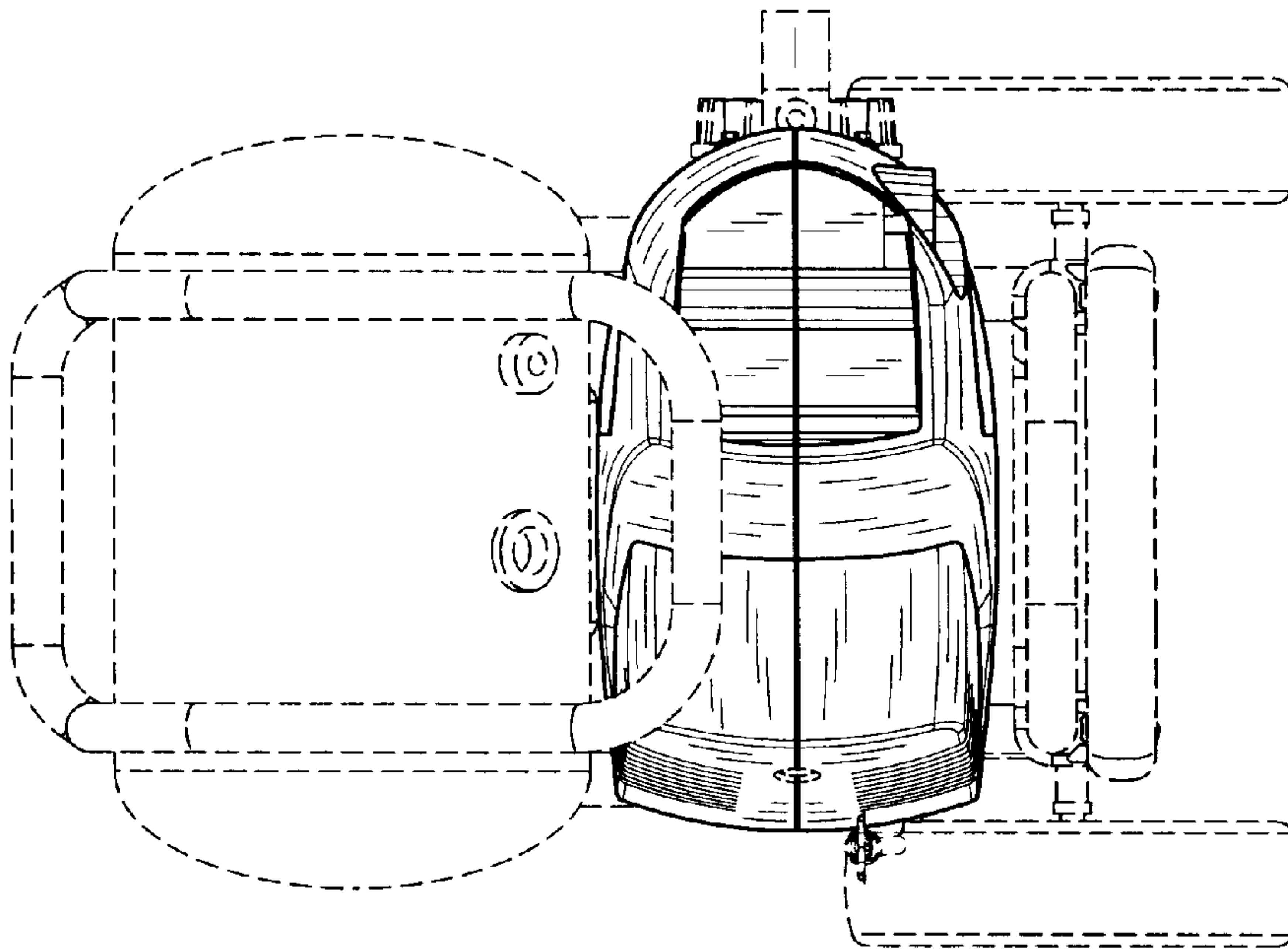


FIG. 6

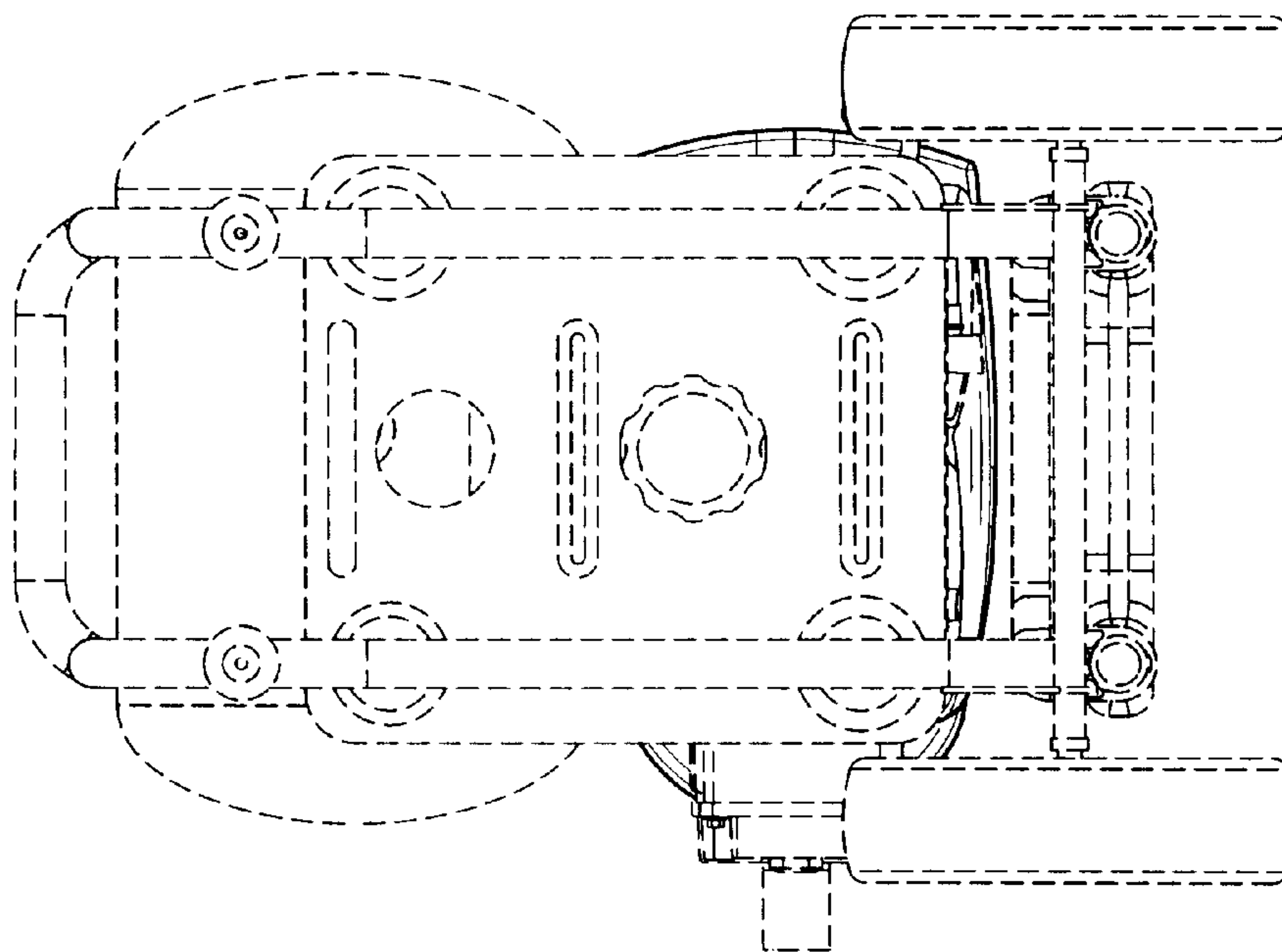


FIG. 7