



US00D534549S

(12) **United States Design Patent**
Beecham et al.

(10) **Patent No.:** **US D534,549 S**
(45) **Date of Patent:** **** Jan. 2, 2007**

(54) **AIR COMPRESSOR SHROUD**

(75) Inventors: **Larry Beecham**, Lexington, TN (US);
Ann-Marie Conrado, Oak Park, IL
(US); **Pat McCormick**, Clarendon
Hills, IL (US); **Jack Salzmann**,
Chicago, IL (US)

(73) Assignee: **Midwest Air Technologies, Inc.**,
Lincolnshire, IL (US)

(**) Term: **14 Years**

(21) Appl. No.: **29/243,714**

(22) Filed: **Nov. 30, 2005**

(51) **LOC (8) Cl.** **15-02**

(52) **U.S. Cl.** **D15/9**

(58) **Field of Classification Search** D15/7-9;
D23/232, 231; 417/359, 415-416, 410.1,
417/321, 265, 405

See application file for complete search history.

(56) **References Cited**

U.S. PATENT DOCUMENTS

D293,446 S * 12/1987 Morgan D15/9
D293,584 S * 1/1988 Morgan D15/9

D293,585 S * 1/1988 Morgan D15/9
D352,293 S * 11/1994 Morgan D15/9
D352,294 S * 11/1994 Morgan D15/9
D447,149 S * 8/2001 Davis et al. D15/9
D515,102 S * 2/2006 Buck D15/7

* cited by examiner

Primary Examiner—Ralf Seifert

(74) *Attorney, Agent, or Firm*—Greer, Burn & Crain, Ltd.

(57) **CLAIM**

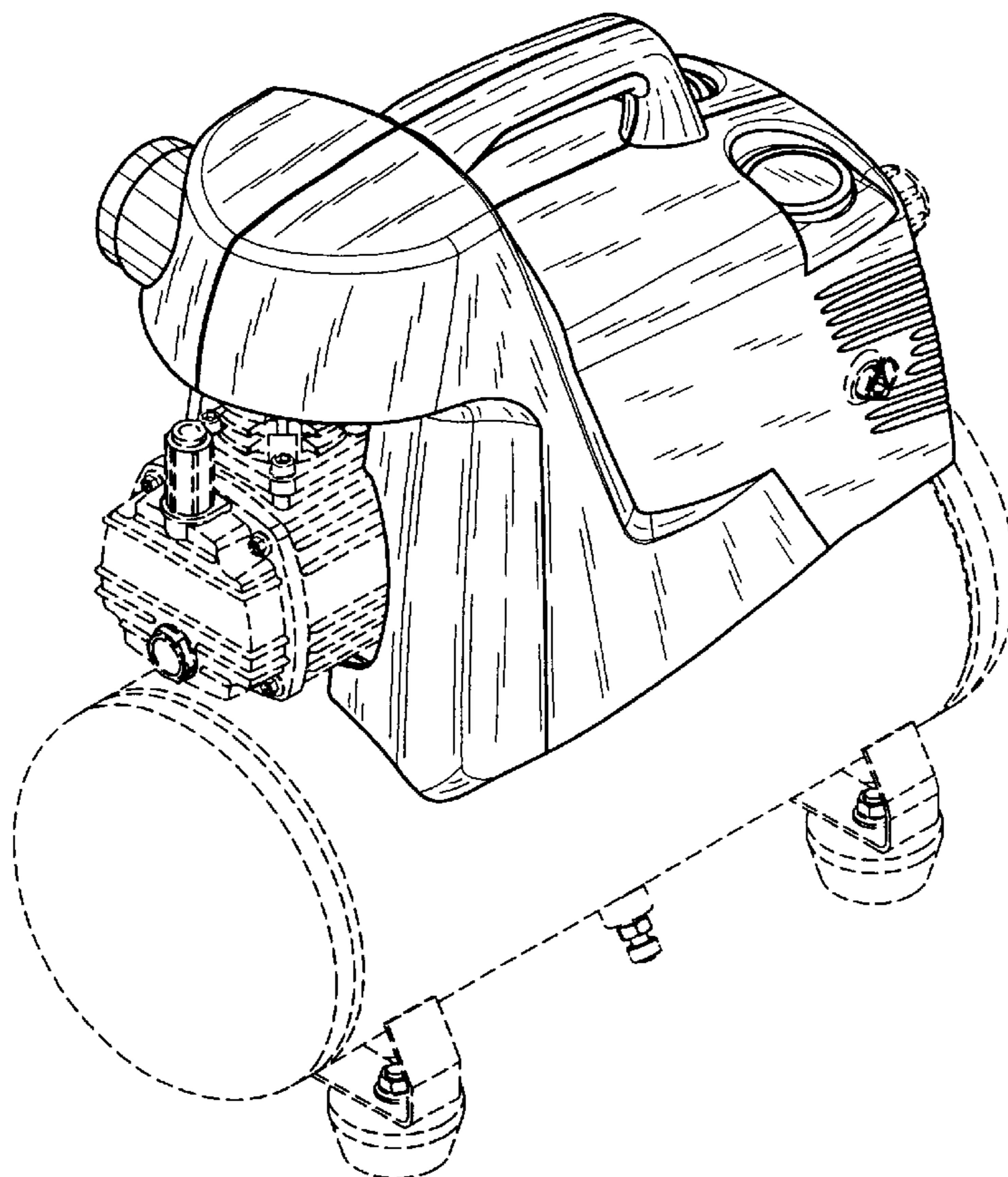
The ornamental design for an air compressor shroud, as shown and described.

DESCRIPTION

FIG. 1 is an elevated perspective view of the present air compressor shroud;
FIG. 2 is a front view thereof;
FIG. 3 is a rear view thereof;
FIG. 4 is a right side view thereof;
FIG. 5 is a left side view thereof; and,
FIG. 6 is a top view thereof.

The broken line showing of FIGS. 1-6 is for illustrative purposes only and forms no part of the claimed design or a specified embodiment thereof.

1 Claim, 6 Drawing Sheets



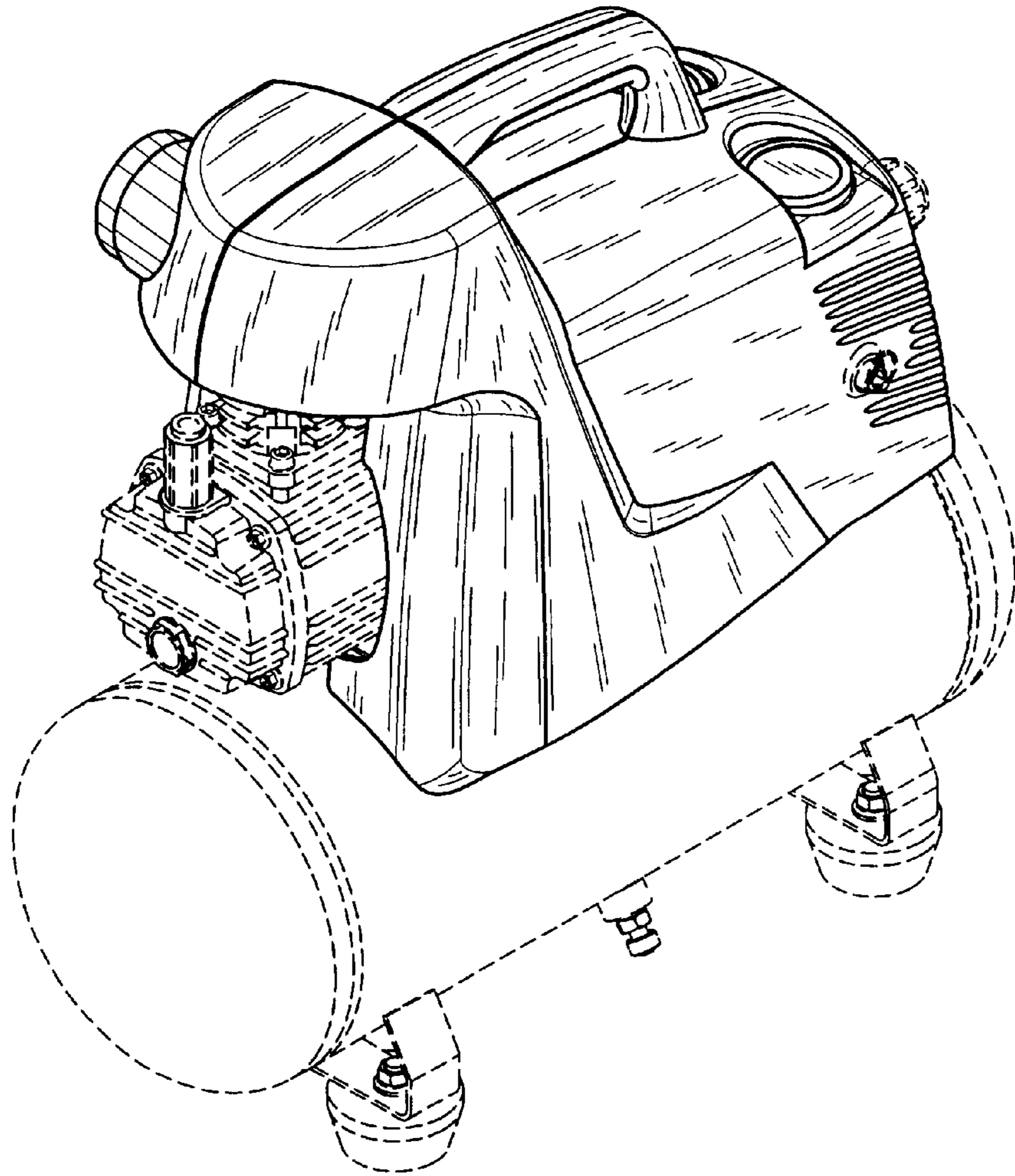


FIG. 1

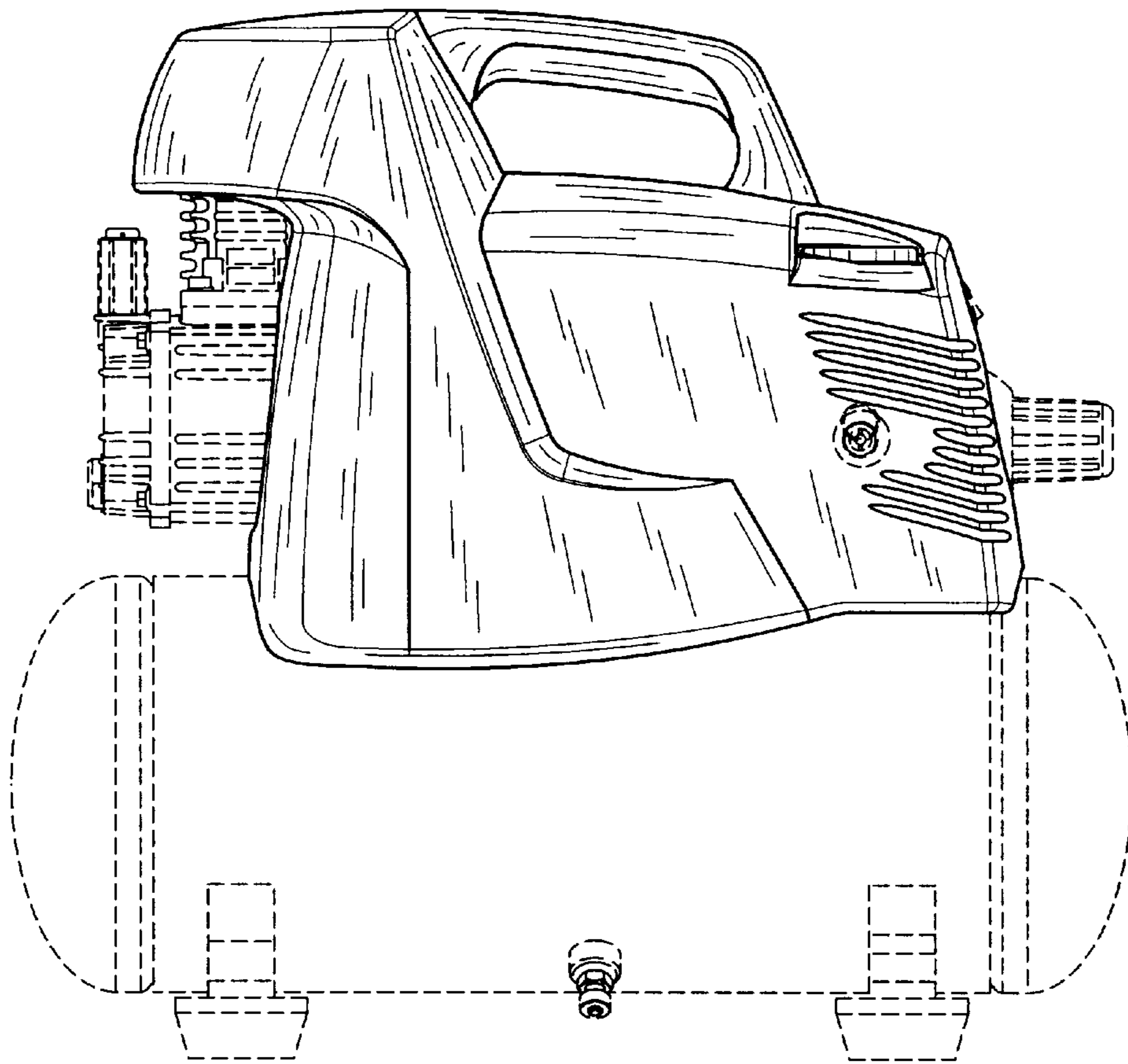


FIG. 2

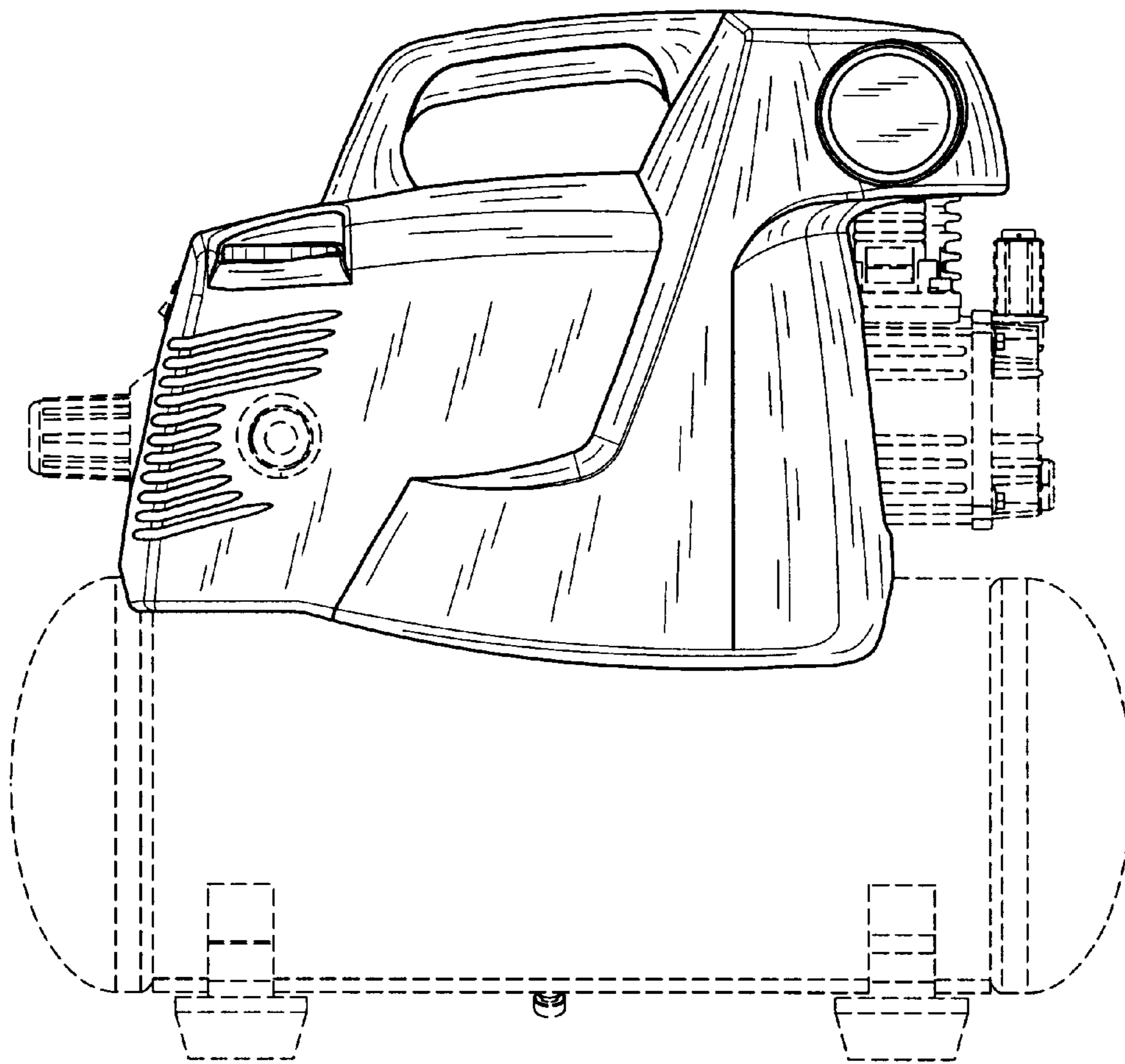


FIG. 3

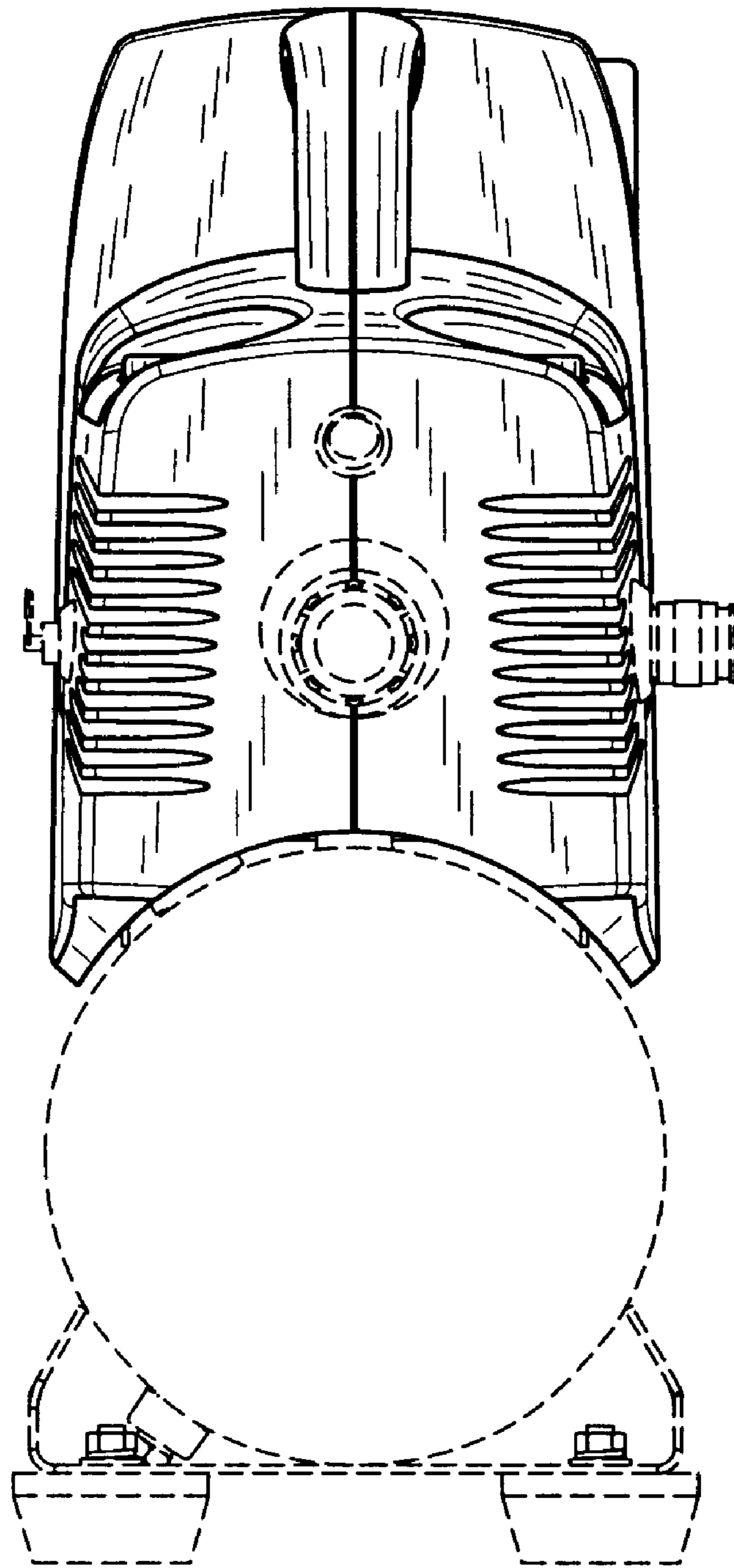


FIG. 4

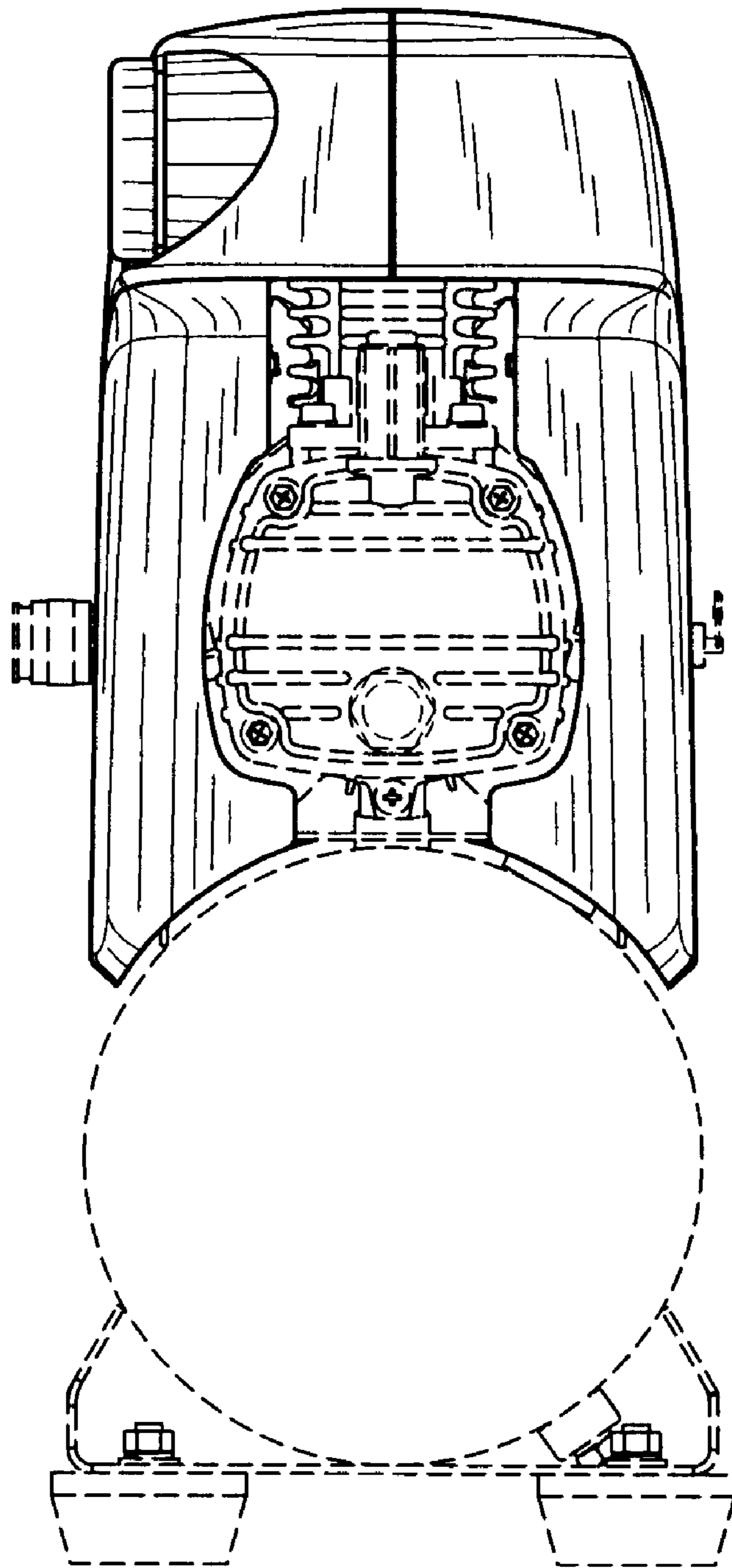


FIG. 5

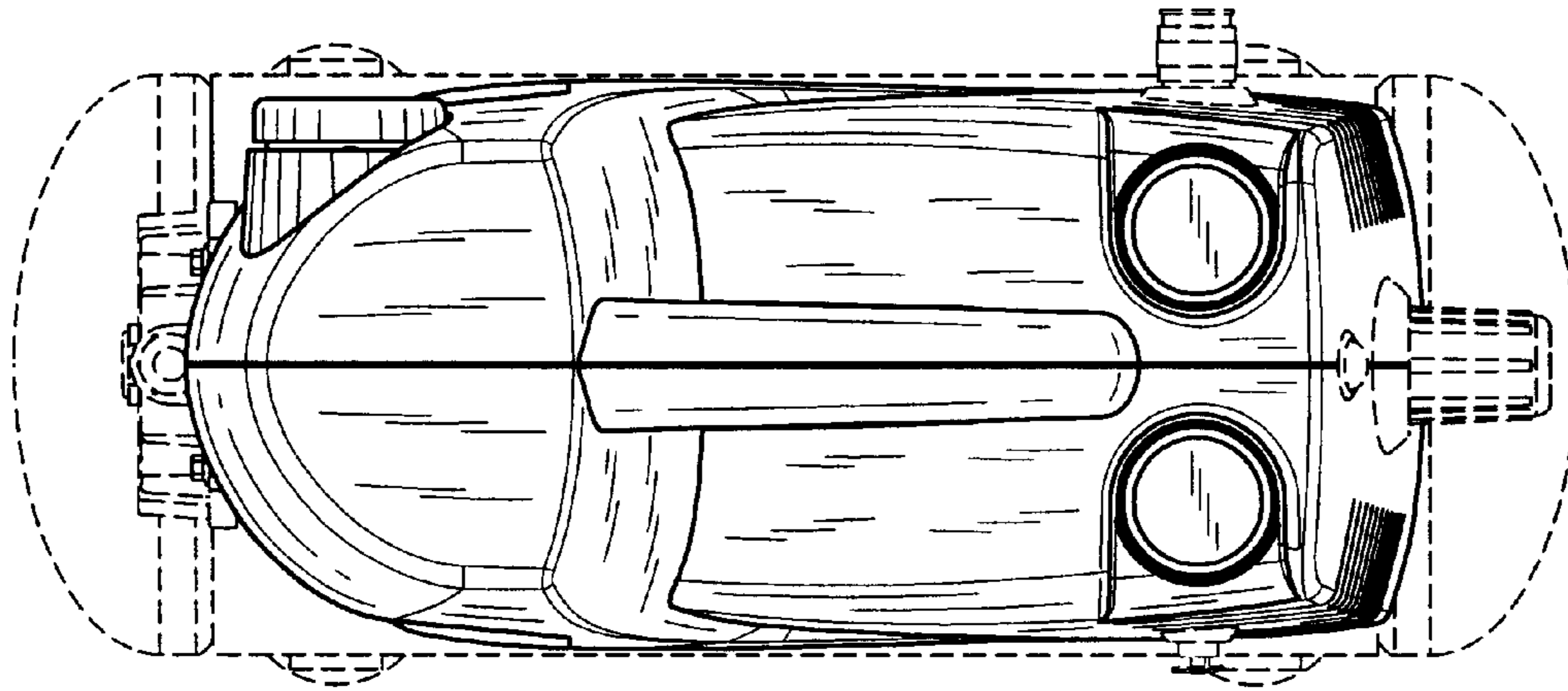


FIG. 6