



US00D534546S

(12) **United States Design Patent**
Miyaki et al.

(10) **Patent No.:** **US D534,546 S**

(45) **Date of Patent:** **** Jan. 2, 2007**

(54) **OUTBOARD MOTOR**

(75) Inventors: **Shinji Miyaki**, Tokyo-to (JP); **Daisuki Nakamura**, Shizuoka-ken (JP)

(73) Assignee: **Yamaha Marine Kabushiki Kaisha** (JP)

(**) Term: **14 Years**

(21) Appl. No.: **29/236,297**

(22) Filed: **Aug. 15, 2005**

(51) **LOC (8) Cl.** **15-01**

(52) **U.S. Cl.** **D15/4**

(58) **Field of Classification Search** D15/1-5;
123/495, 195 P; 248/640, 643; 290/43-46,
290/54; 440/75, 76, 84, 78

See application file for complete search history.

(56) **References Cited**

U.S. PATENT DOCUMENTS

D318,474 S * 7/1991 Reynolds D15/4
D409,205 S * 5/1999 Ohsumi et al. D15/4

D452,251 S * 12/2001 Okamoto D15/4
D466,907 S * 12/2002 Ohsumi D15/4
2006/0025025 A1 * 2/2006 Kitani et al. 440/6

* cited by examiner

Primary Examiner—Ian Simmons

Assistant Examiner—Maurice Stevens

(74) *Attorney, Agent, or Firm*—Ostrolenk, Faber, Gerb & Soffen, LLP

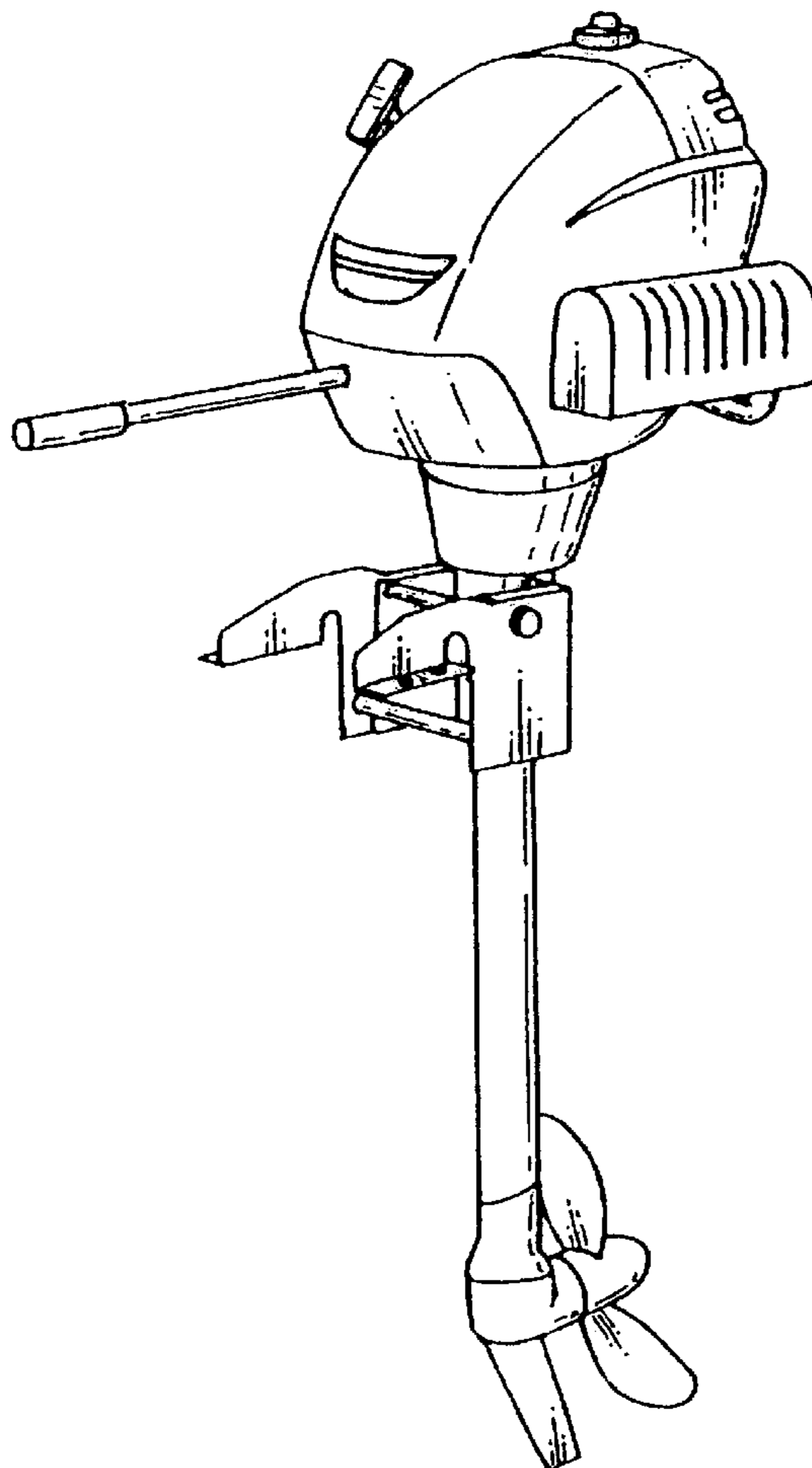
(57) **CLAIM**

The ornamental design for an outboard motor, as shown.

DESCRIPTION

FIG. 1 is a Perspective View of an outboard motor showing our new design;
FIG. 2 is Right Side View;
FIG. 3 is Left Side View;
FIG. 4 is Front View;
FIG. 5 is Rear View;
FIG. 6 is Top Plan View; and,
FIG. 7 is Bottom View.

1 Claim, 6 Drawing Sheets



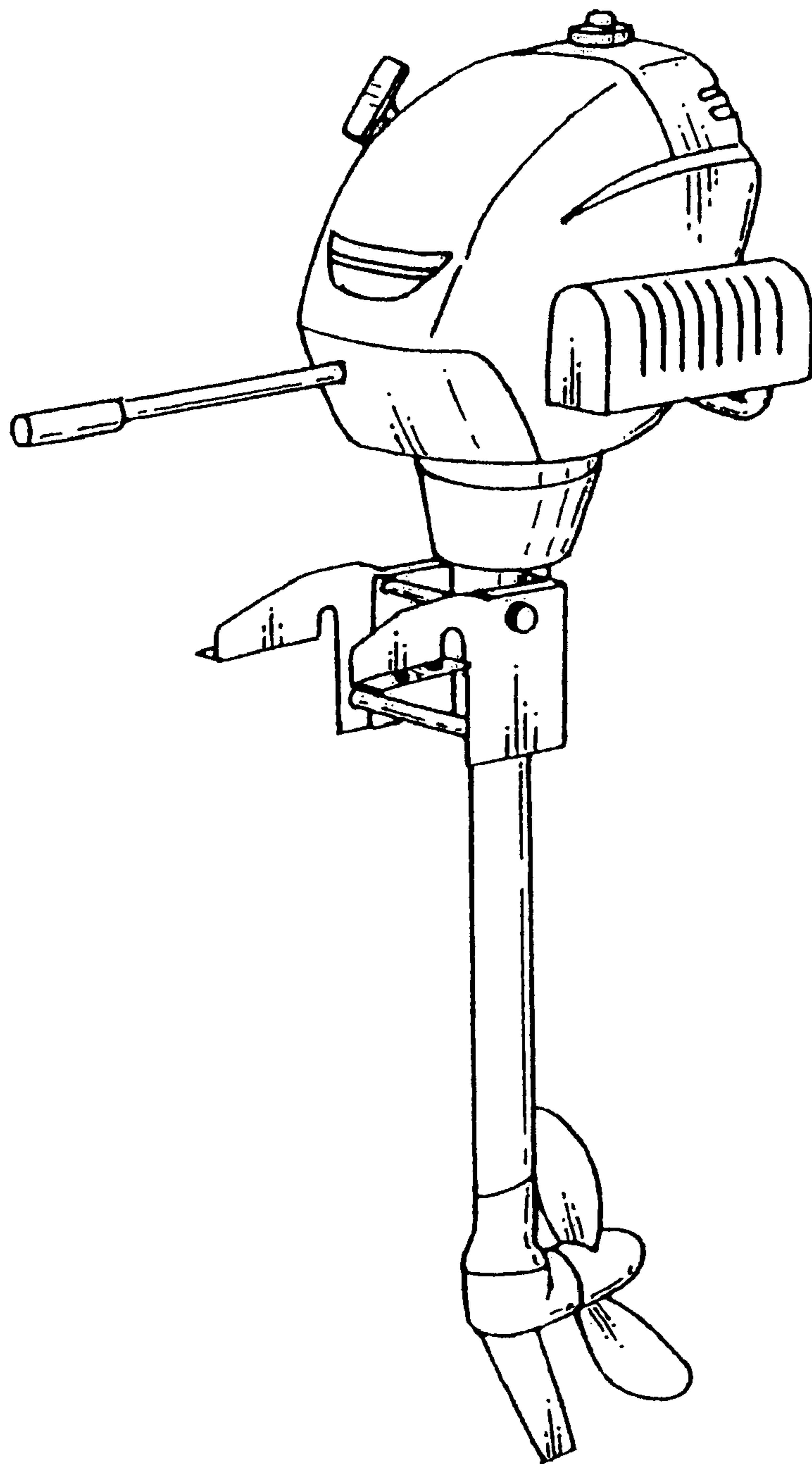


FIG. 1

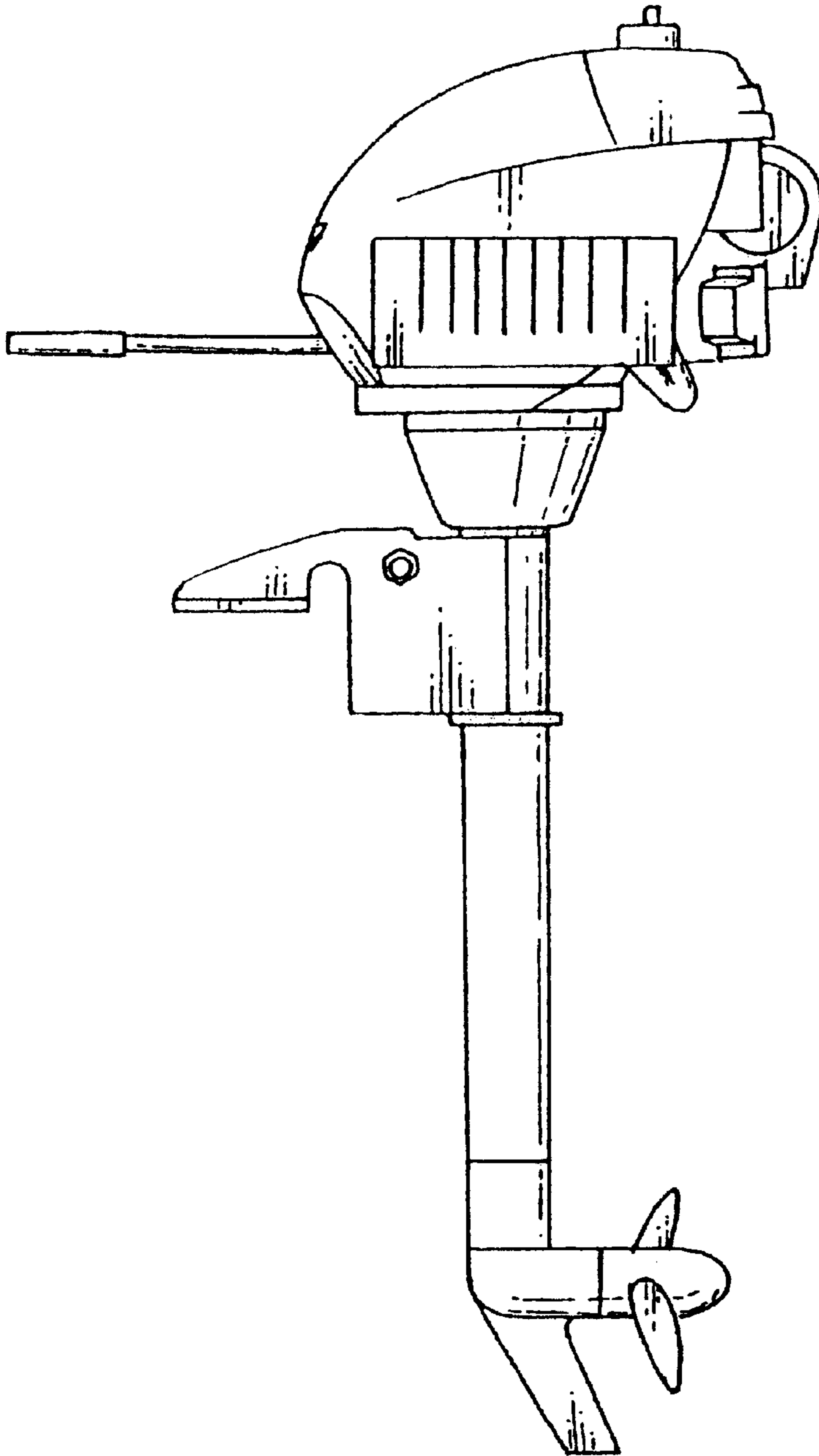


FIG. 2

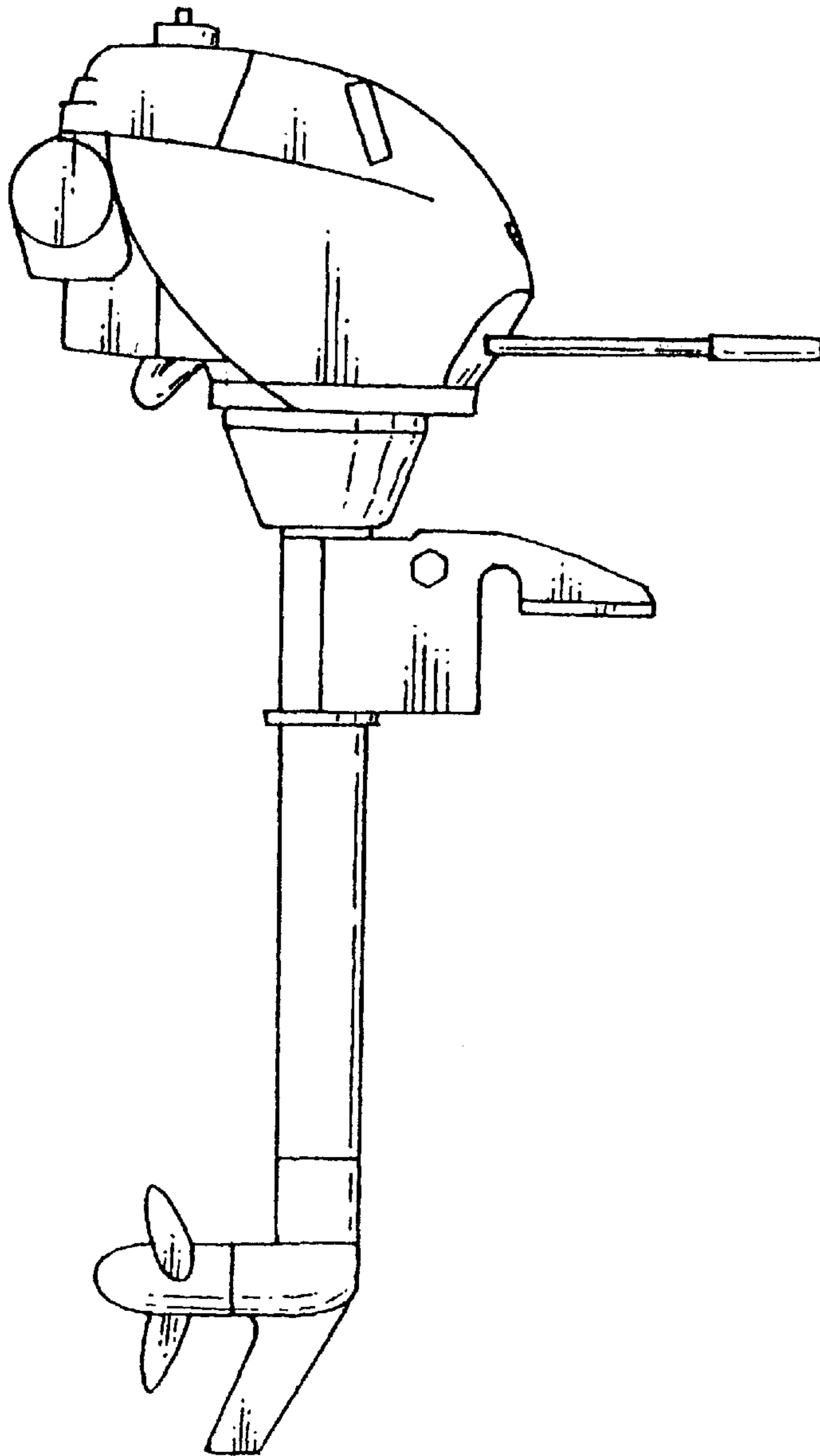


FIG. 3

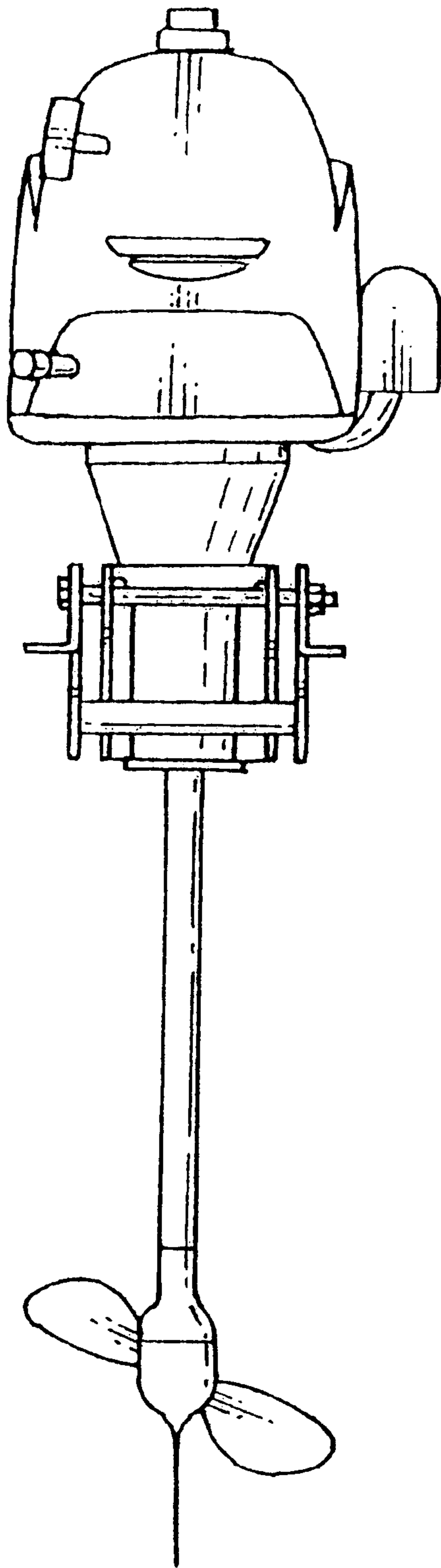


FIG. 4

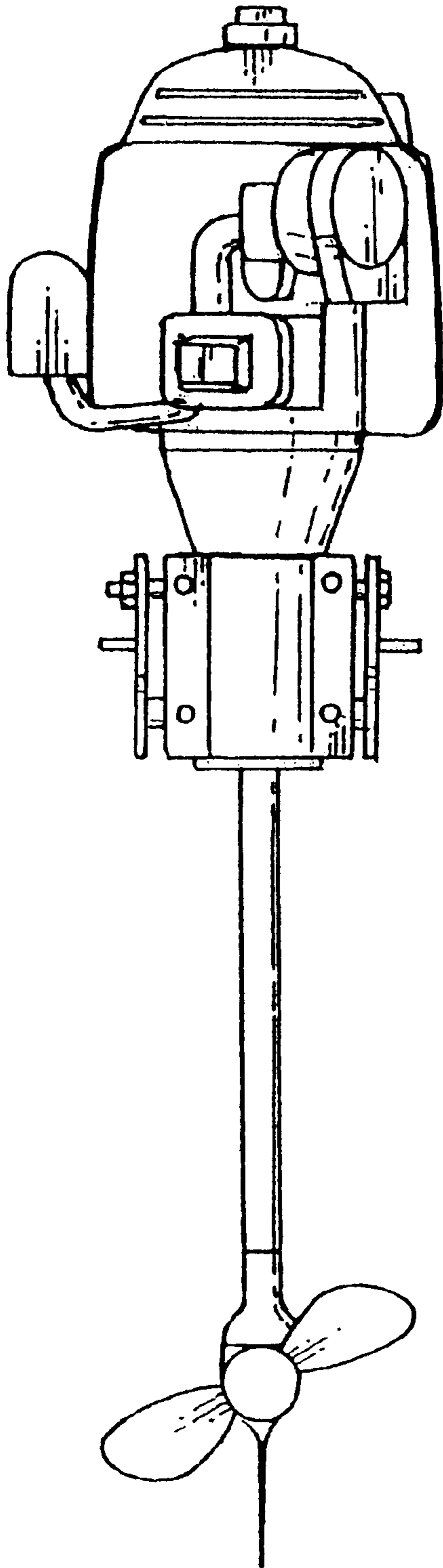


FIG. 5

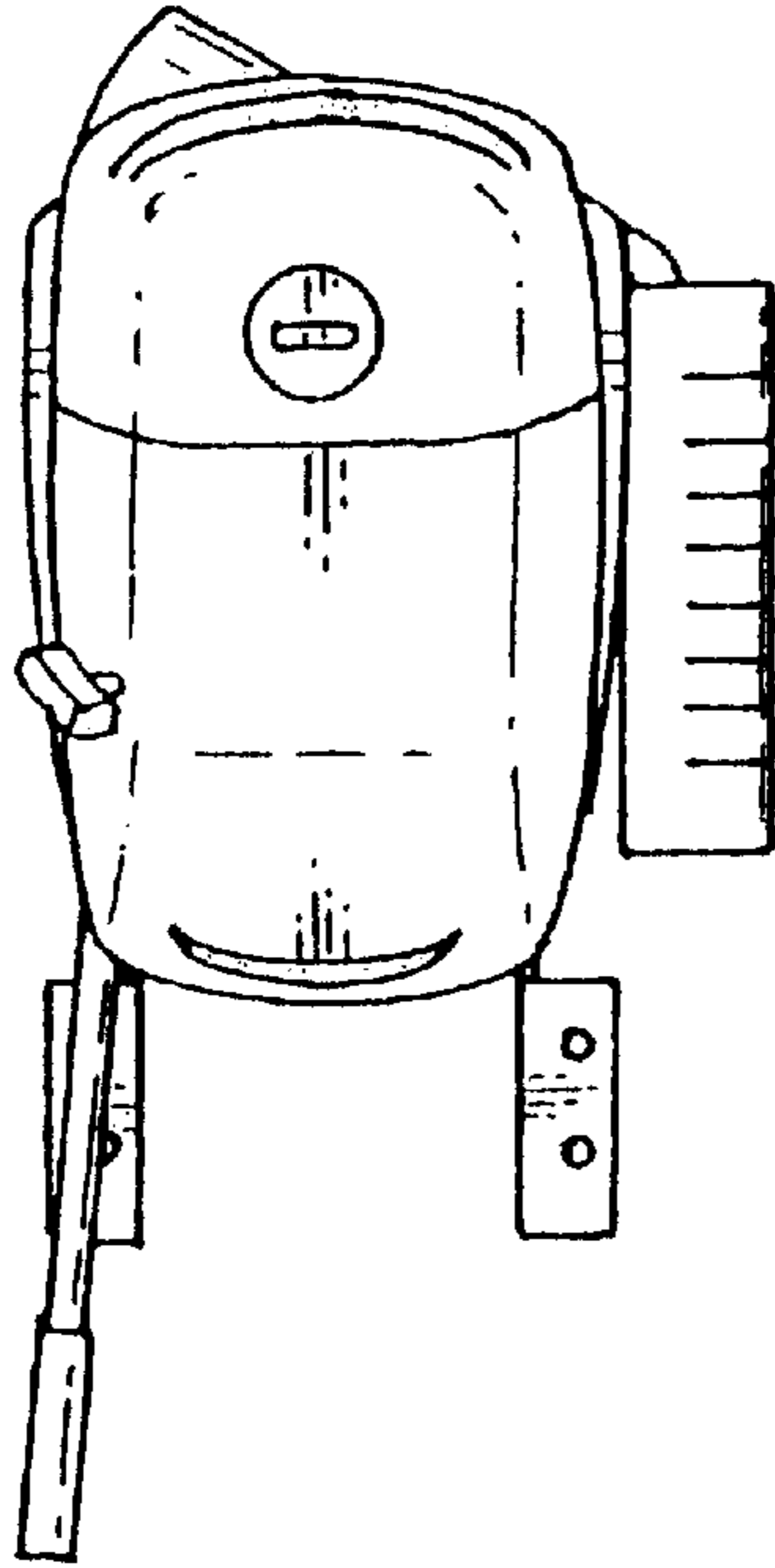


FIG. 6

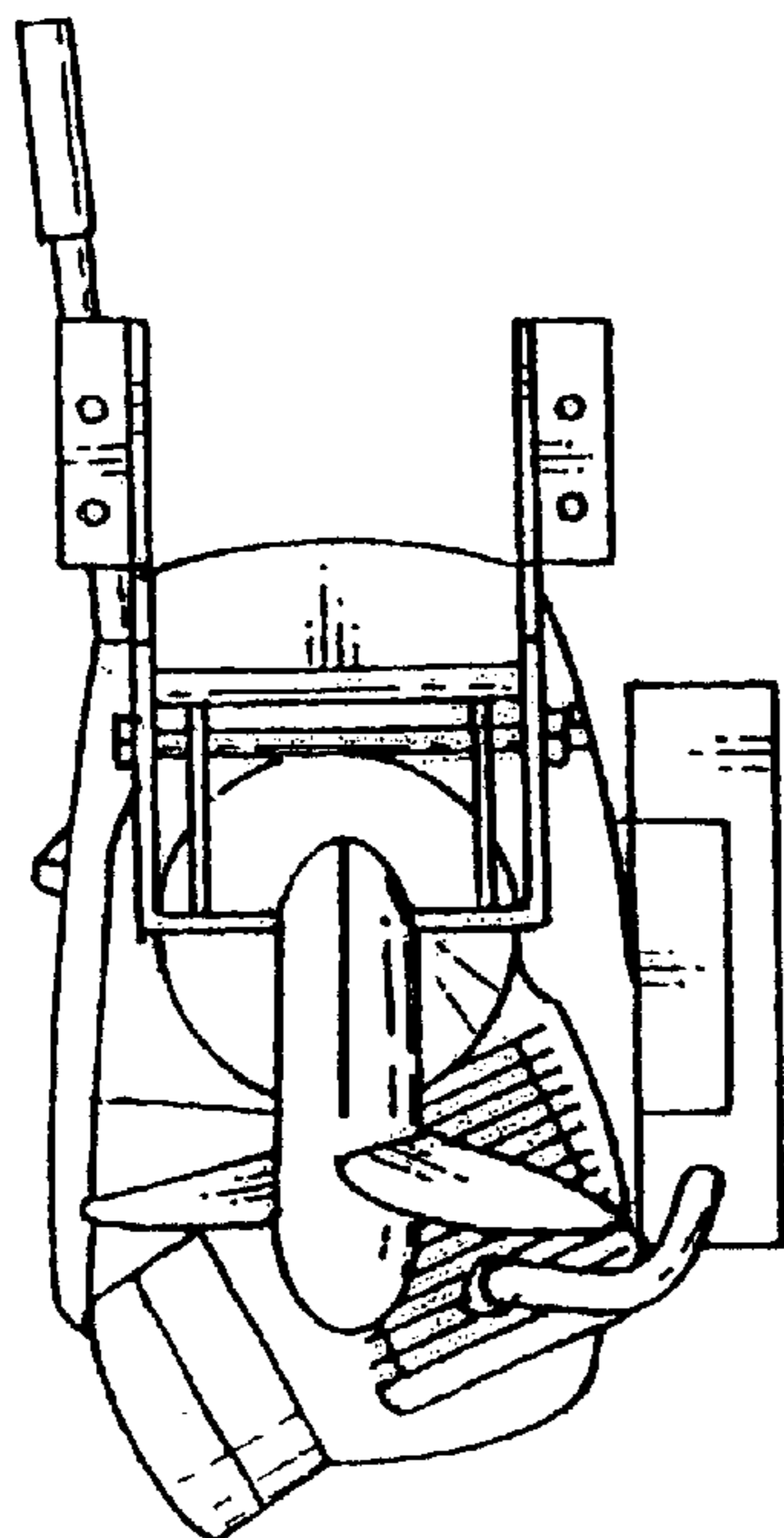


FIG. 7