



US00D534535S

(12) **United States Design Patent**
Tzeng et al.

(10) **Patent No.:** **US D534,535 S**

(45) **Date of Patent:** **** Jan. 2, 2007**

(54) **MOUSE**

(75) Inventors: **Shu-Wen Tzeng**, Taoyuan County (TW); **Shuo-Hsiu Chang**, Taipei County (TW)

(73) Assignee: **Darfon Electronics Corp.**, Taoyuan (TW)

(**) **Term:** **14 Years**

(21) Appl. No.: **29/252,167**

(22) Filed: **Jan. 18, 2006**

(30) **Foreign Application Priority Data**

Oct. 12, 2005 (TW) 94306163

(51) **LOC (8) Cl.** **14-02**

(52) **U.S. Cl.** **D14/407**

(58) **Field of Classification Search** D14/402-410, D14/417; 235/472.01; 345/156-167; 365/49; 463/36-38; 200/5 A, 5 R, 6 A, 6 R; 273/148 B
See application file for complete search history.

(56) **References Cited**

U.S. PATENT DOCUMENTS

D284,284 S * 6/1986 Manock et al. D14/407

D301,142 S	*	5/1989	Chu	D14/407
D305,331 S	*	1/1990	Esslinger	D14/407
D313,981 S	*	1/1991	Yang	D14/410
D340,923 S	*	11/1993	Tso	D14/407
5,581,277 A	*	12/1996	Tajiri	345/163
D380,463 S	*	7/1997	Wu	D14/407
D386,163 S	*	11/1997	Cheng	D14/407
D460,071 S	*	7/2002	Sheehan et al.	D14/402
D464,350 S	*	10/2002	Kerestegian et al.	D14/402
D484,882 S	*	1/2004	Wu	D14/407

* cited by examiner

Primary Examiner—Pamela J. Burgess

(74) *Attorney, Agent, or Firm*—Quintero Law Office

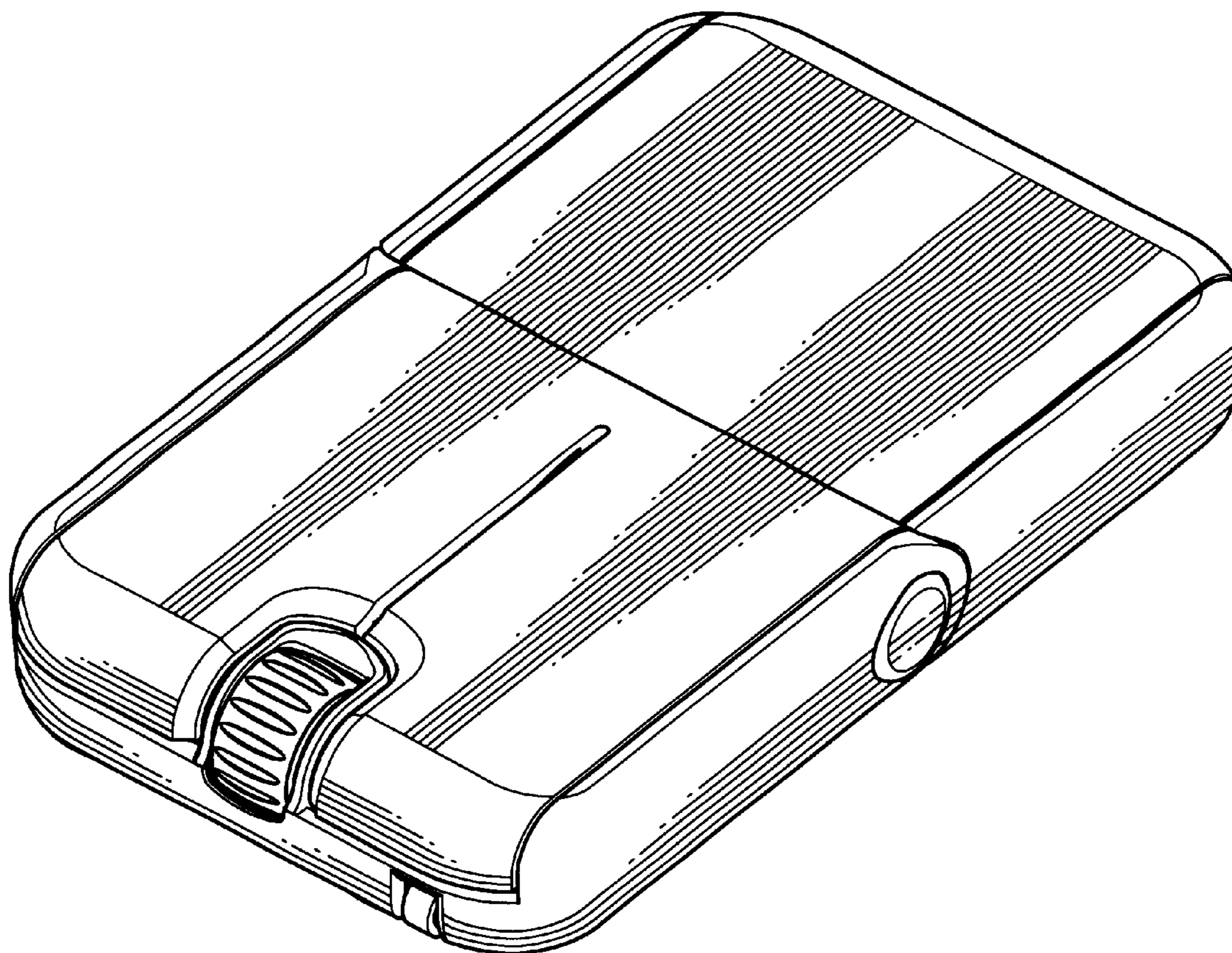
(57) **CLAIM**

The ornamental design for a mouse, as shown and described.

DESCRIPTION

FIG. 1 is a perspective view thereof;
FIG. 2 is a front elevational view thereof;
FIG. 3 is a rear elevational view thereof;
FIG. 4 is a right side elevational view thereof;
FIG. 5 is a left side elevational view thereof;
FIG. 6 is a top plane view thereof; and,
FIG. 7 is a bottom plane view thereof.

1 Claim, 5 Drawing Sheets



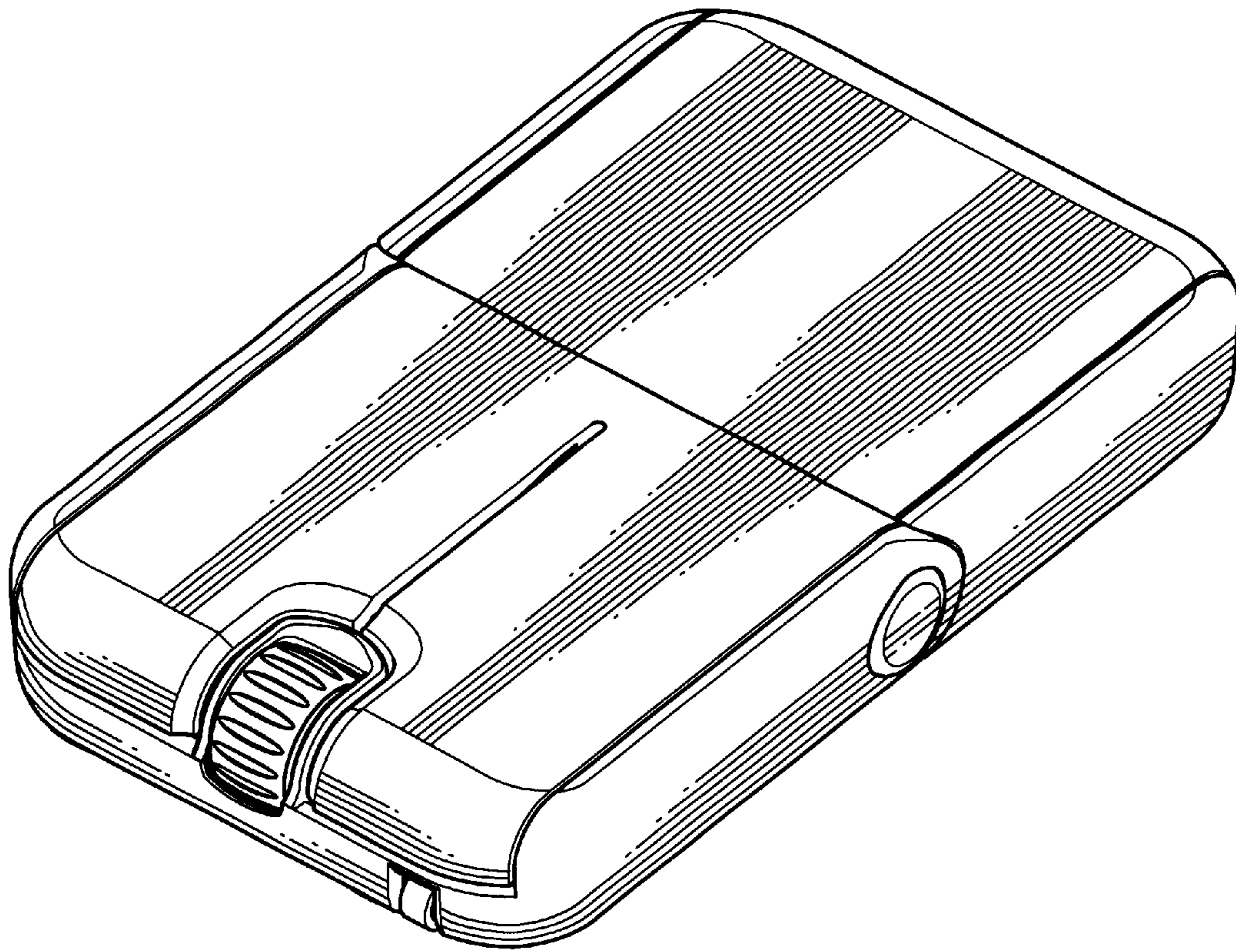


FIG. 1

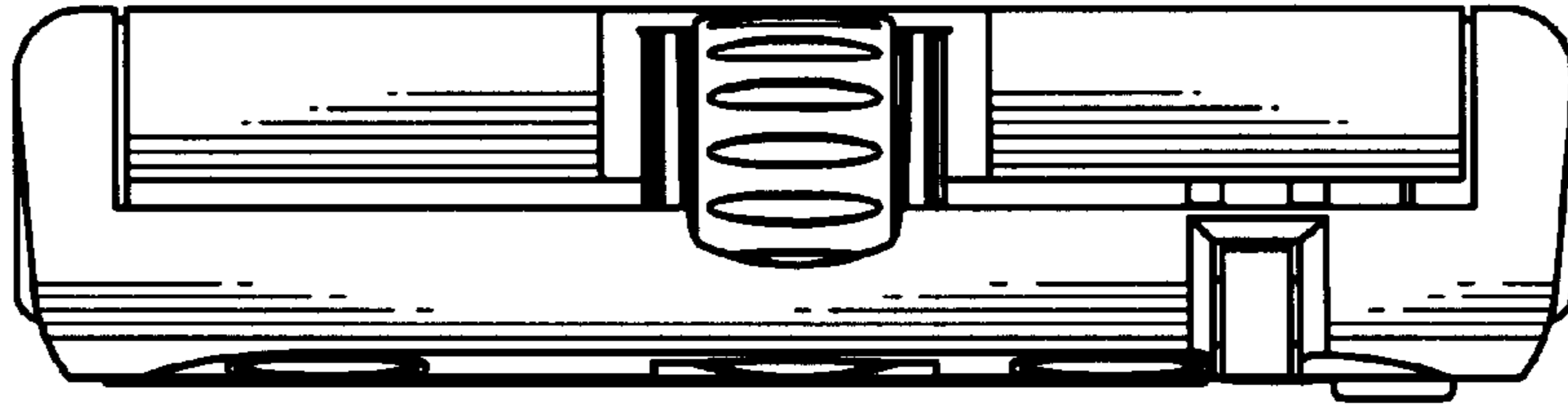


FIG. 2

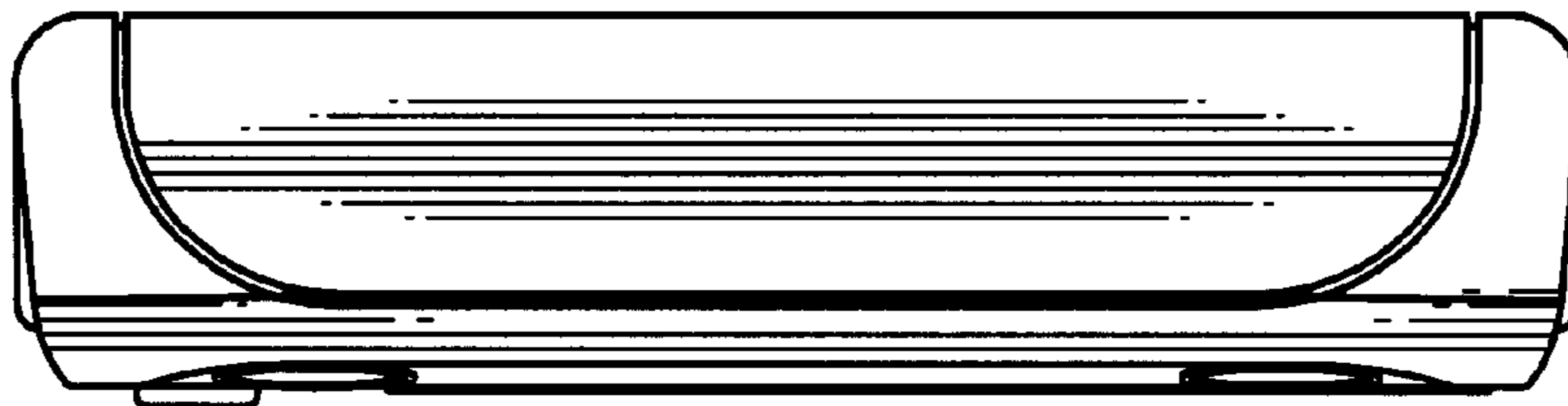


FIG. 3

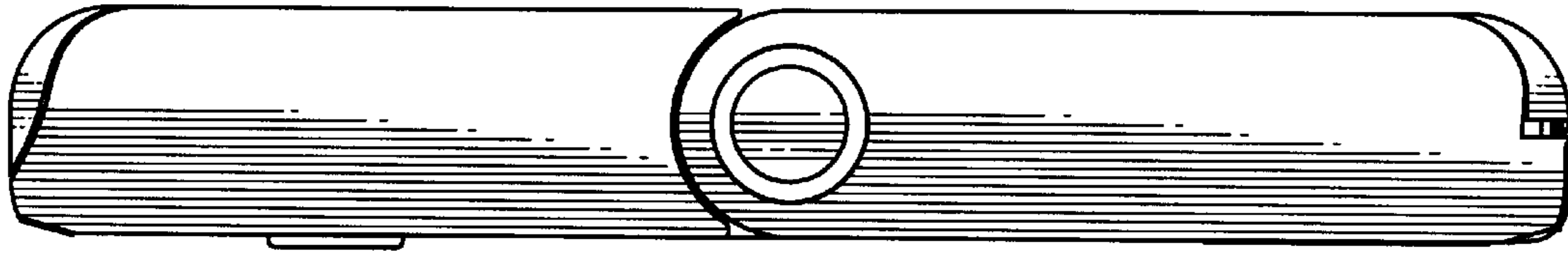


FIG. 4

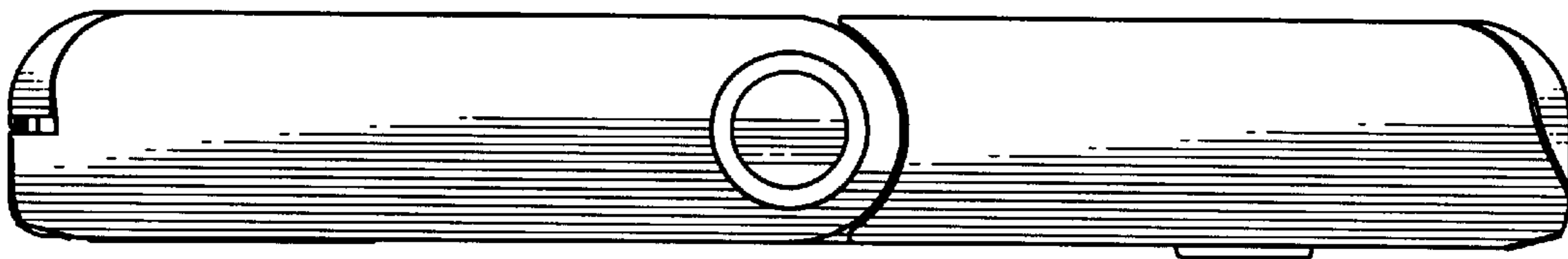


FIG. 5

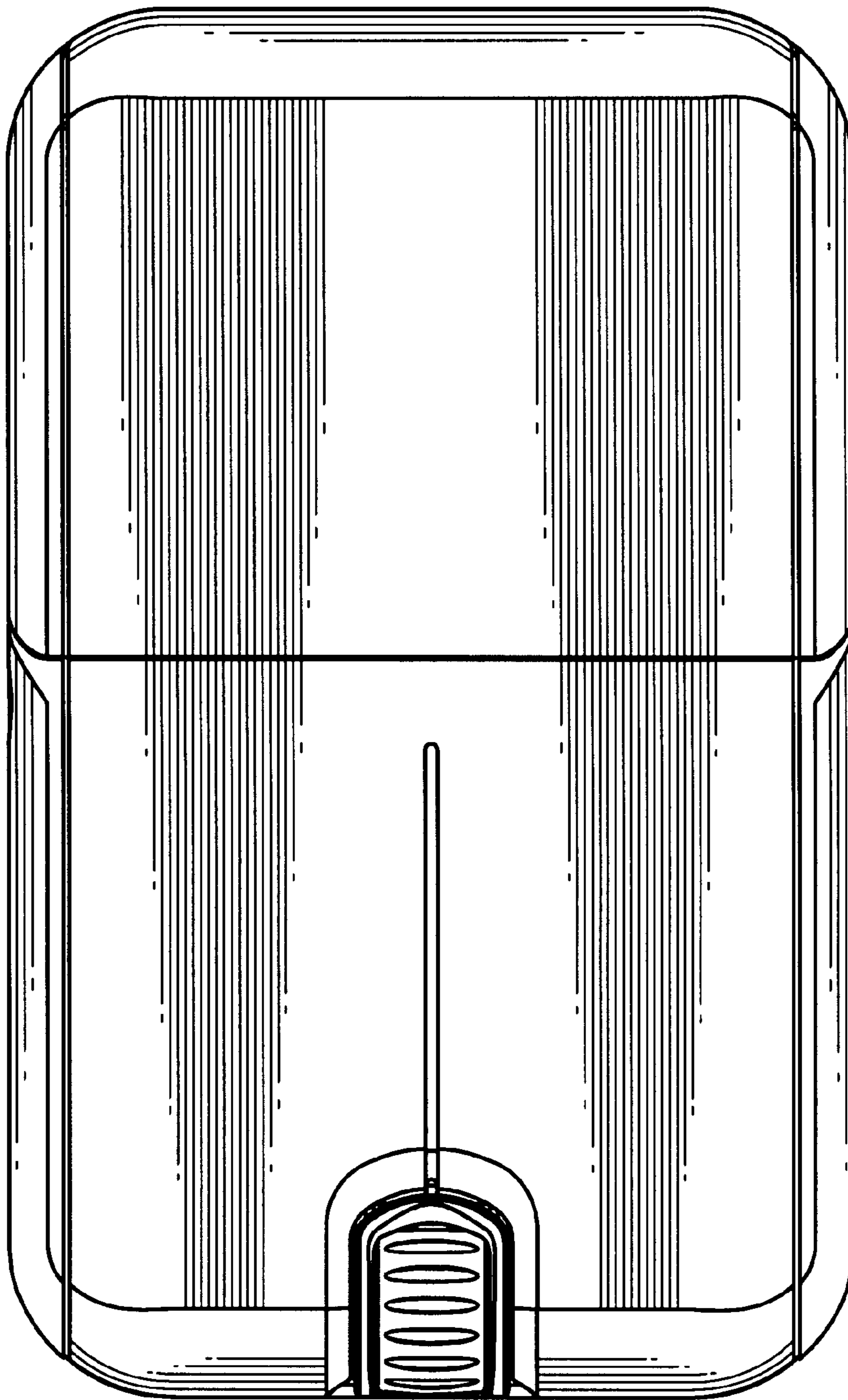


FIG. 6

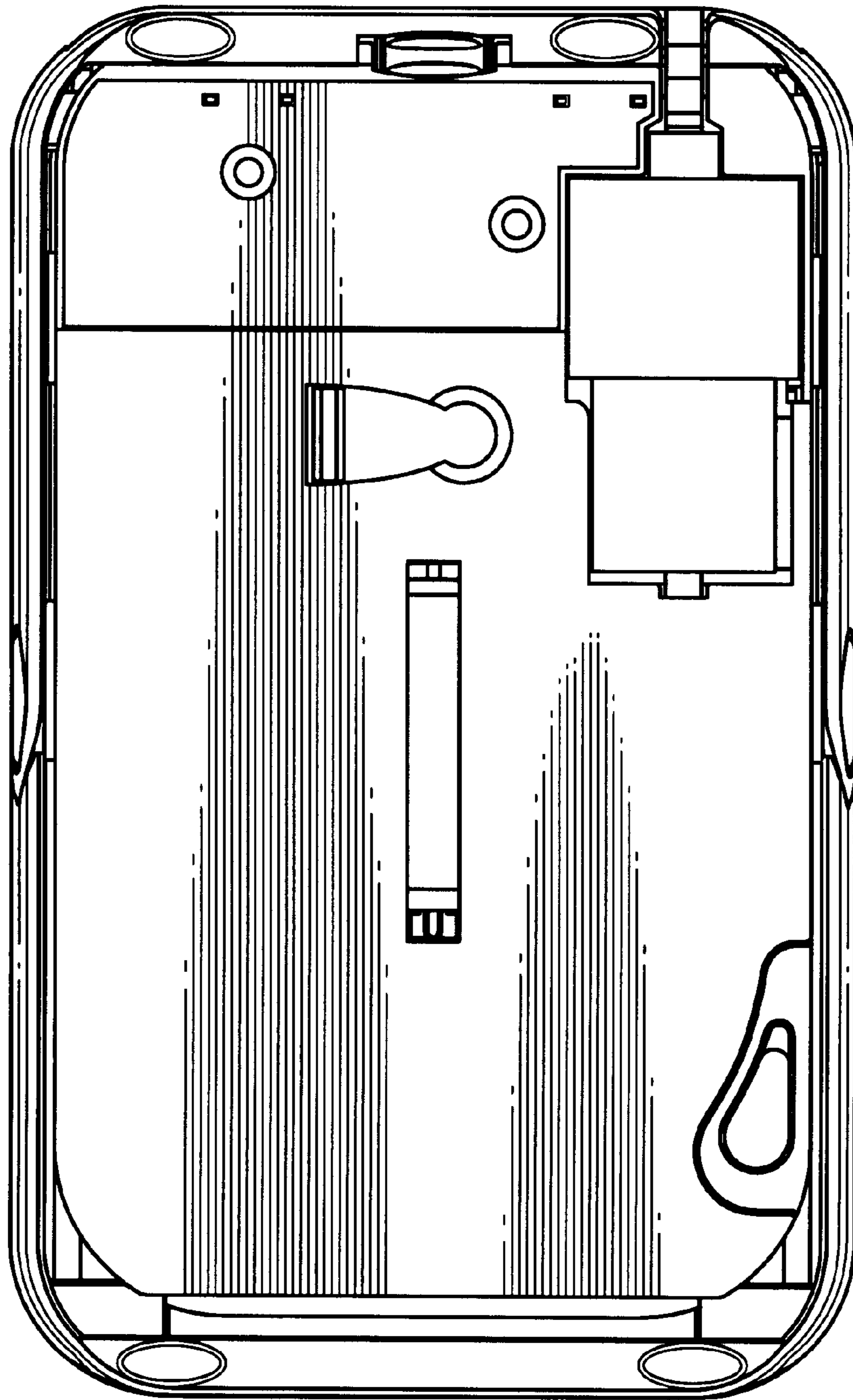


FIG. 7