



US00D534532S

(12) **United States Design Patent**
Hisatsune

(10) **Patent No.:** **US D534,532 S**

(45) **Date of Patent:** **** Jan. 2, 2007**

(54) **DISC DRIVE**

(75) Inventor: **Toshiyuki Hisatsune**, Tokyo (JP)

(73) Assignee: **Sony Corporation**, Tokyo (JP)

(**) Term: **14 Years**

(21) Appl. No.: **29/240,992**

(22) Filed: **Oct. 24, 2005**

(51) **LOC (8) Cl.** **14-02**

(52) **U.S. Cl.** **D14/366**

(58) **Field of Classification Search** D14/242,
D14/496, 125, 135-6, 167, 300-2, 314, 341,
D14/355-8, 362-70, 383, 385, 433, 348,
D14/353, 156; 379/413.04; 220/4.01-4.02;
361/679, 685-6; D13/103

See application file for complete search history.

(56) **References Cited**

U.S. PATENT DOCUMENTS

- D218,751 S * 9/1970 Zierhut et al. D14/164
- D304,942 S * 12/1989 Kataoka D14/156
- D358,140 S * 5/1995 Takasu et al. D14/368
- D361,570 S * 8/1995 Harris et al. D14/242
- D368,097 S * 3/1996 Heberling et al. D14/242
- D385,858 S * 11/1997 Sherry D14/356
- D403,320 S 12/1998 Niitsu
- D412,332 S 7/1999 Yuyama
- D416,896 S 11/1999 Ogasawara
- 6,456,491 B1 * 9/2002 Flannery et al. 361/685

- D467,893 S 12/2002 Yamada
- D475,371 S * 6/2003 Bone et al. D14/301
- D484,110 S 12/2003 Mori
- 6,697,259 B1 * 2/2004 Nakamura 361/752
- D494,165 S * 8/2004 Yokota D14/341
- D498,740 S * 11/2004 Shiono D14/156
- D499,424 S * 12/2004 Bahroocha D14/496
- D508,245 S * 8/2005 Ozolins et al. D14/383

FOREIGN PATENT DOCUMENTS

JP D1230868 S 2/2005

* cited by examiner

Primary Examiner—Robin Webster

Assistant Examiner—Karen E. Patterson

(74) *Attorney, Agent, or Firm*—Rader, Fishman & Grauer PLLC

(57) **CLAIM**

The ornamental design for a disc drive, as shown.

DESCRIPTION

FIG. 1 is a perspective view of a disc drive showing my new design;

FIG. 2 is a front elevational view thereof;

FIG. 3 is a rear elevational view thereof;

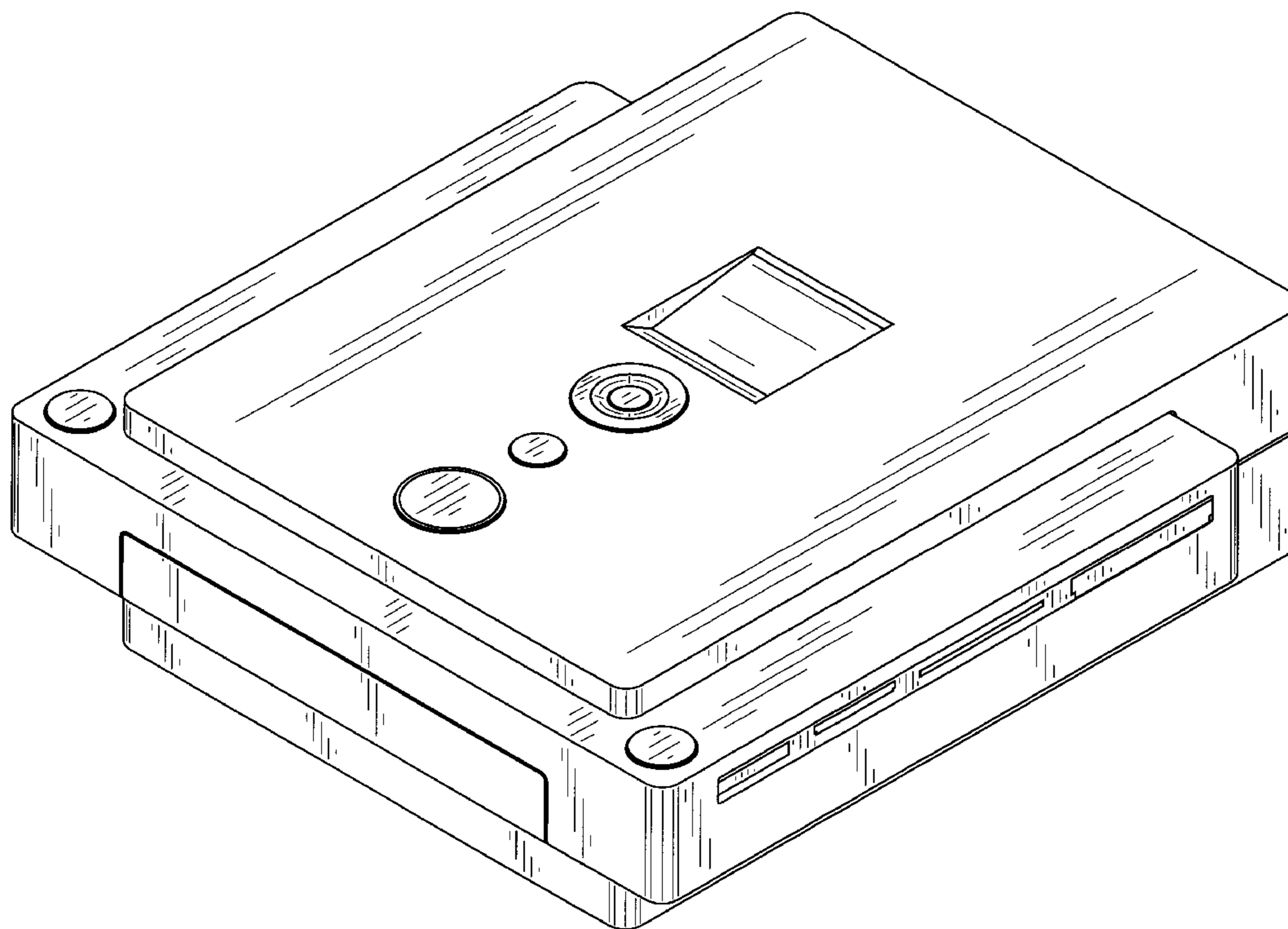
FIG. 4 is a left side elevational view thereof;

FIG. 5 is a right side elevational view thereof;

FIG. 6 is a top plan view thereof; and,

FIG. 7 is a bottom plan view thereof.

1 Claim, 7 Drawing Sheets



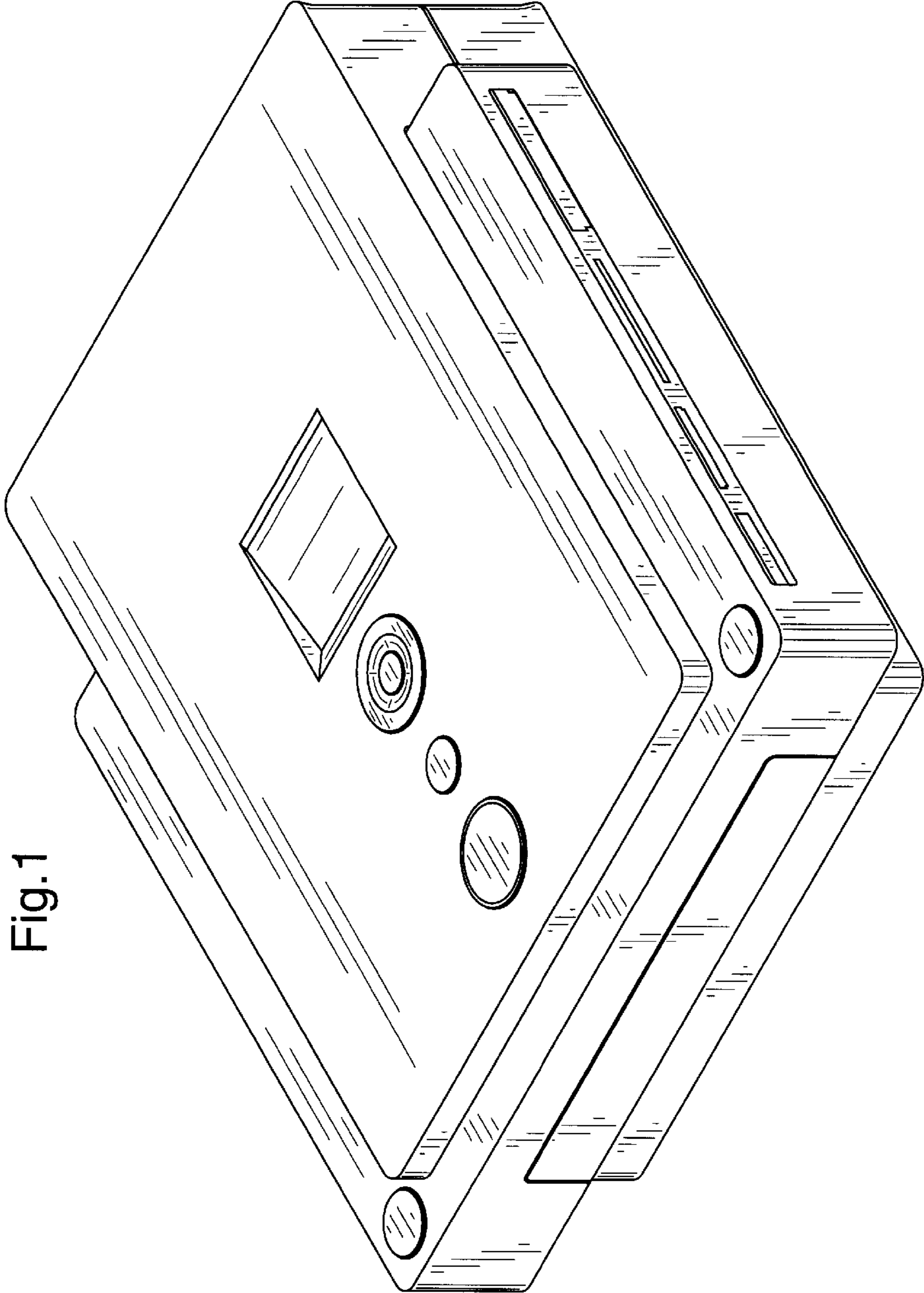


Fig.1

Fig.2

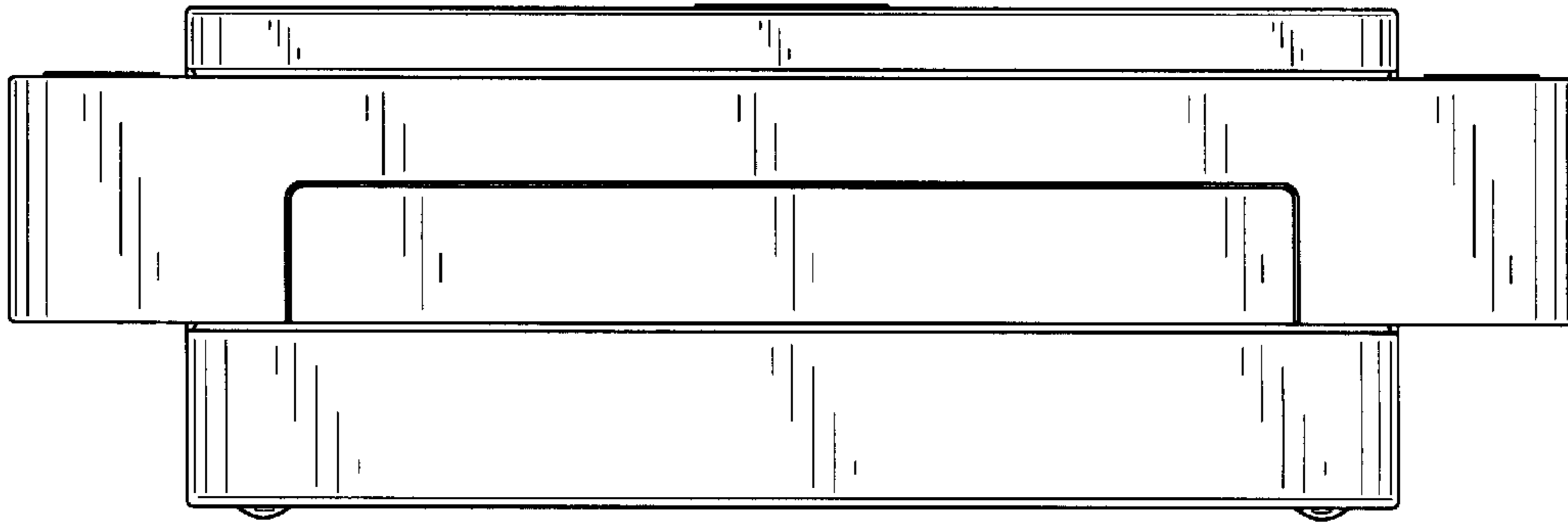


Fig.3

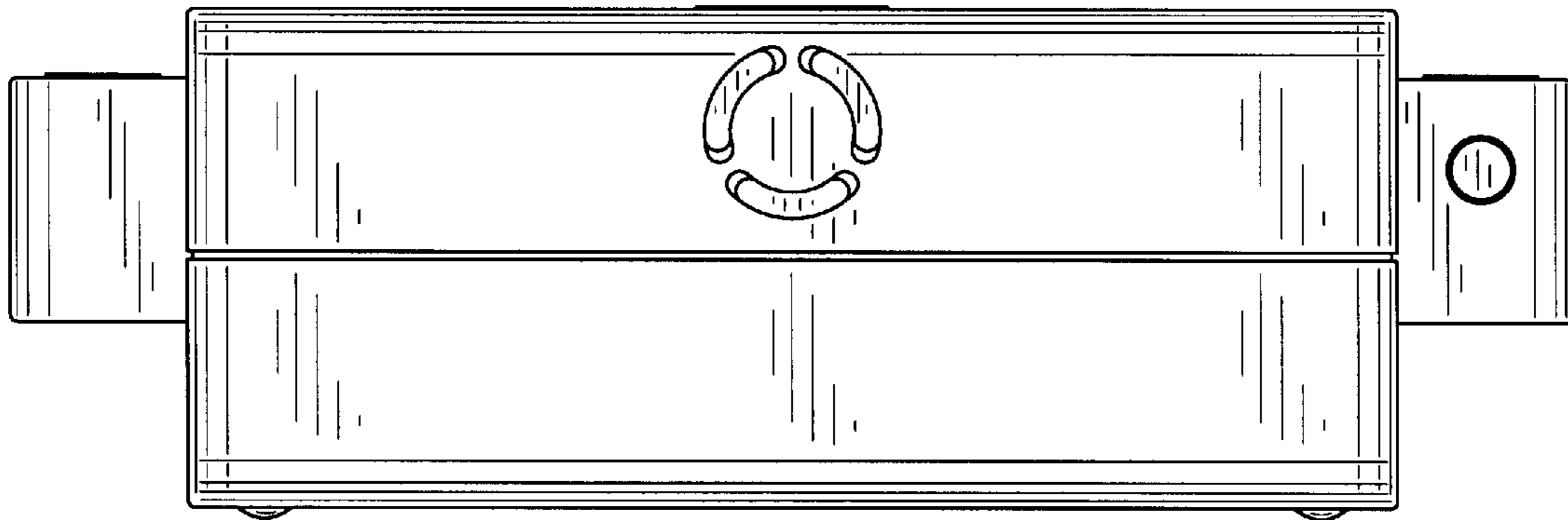


Fig.4

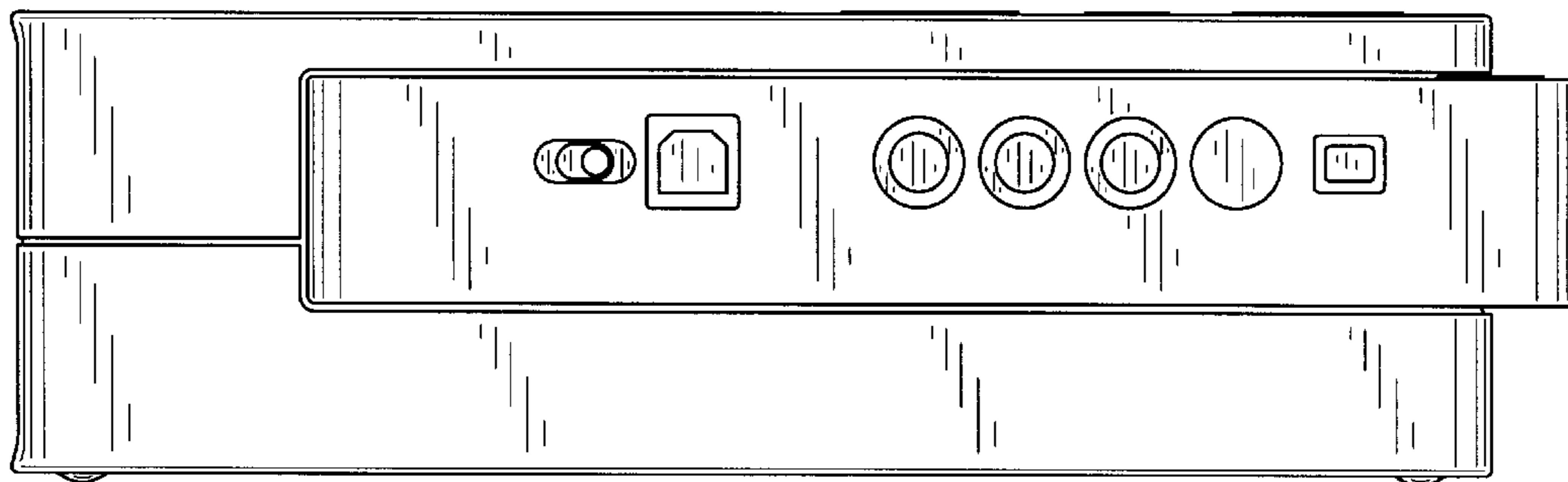


Fig.5

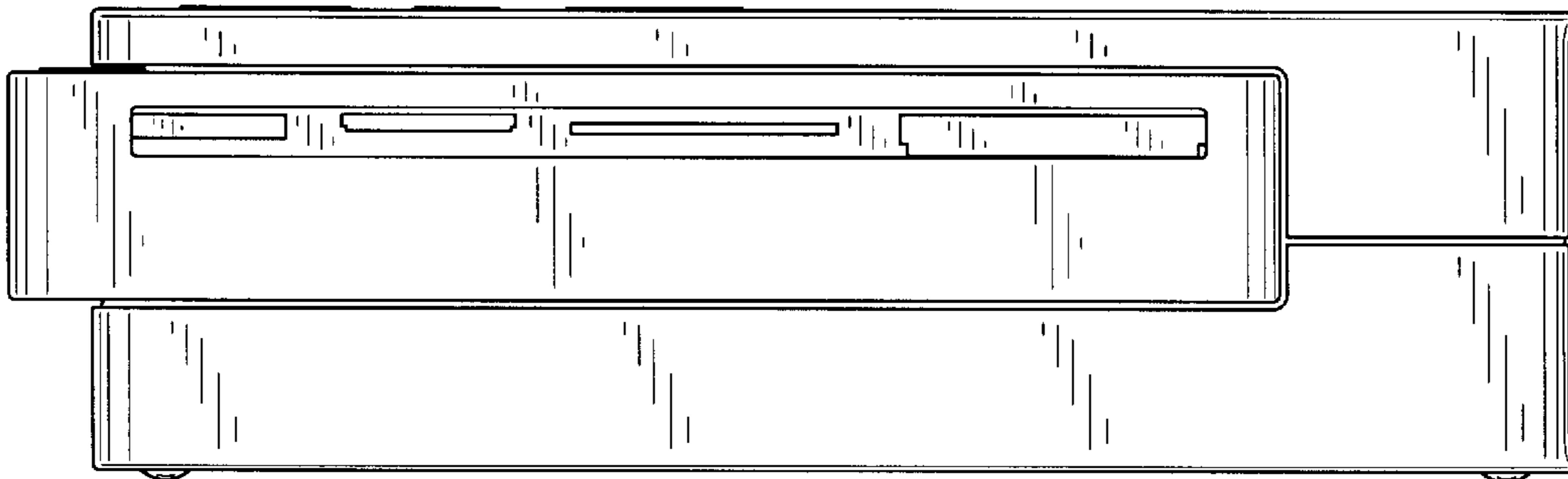


Fig.6

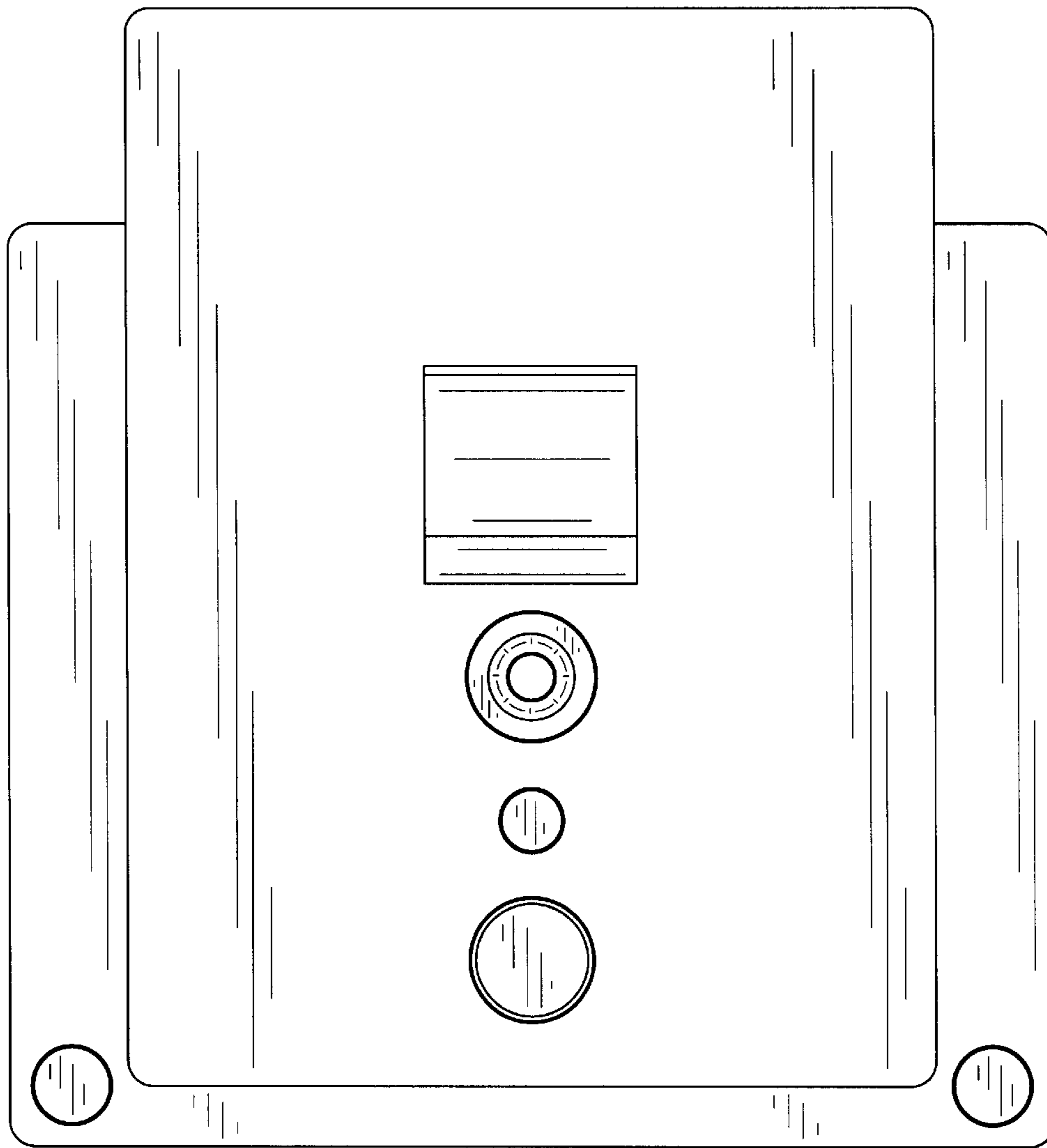


Fig.7

