



US00D534528S

(12) **United States Design Patent**
Suarez

(10) **Patent No.:** **US D534,528 S**

(45) **Date of Patent:** **** Jan. 2, 2007**

(54) **CAR ANTENNA**

(75) **Inventor:** **Junior Suarez**, 7231 SW. 138 Pl.,
Miami, FL (US) 33183

(73) **Assignee:** **Junior Suarez**, Miami, FL (US)

(**) **Term:** **14 Years**

(21) **Appl. No.:** **29/260,968**

(22) **Filed:** **Jun. 5, 2006**

(51) **LOC (8) Cl.** **14-03**

(52) **U.S. Cl.** **D14/232**

(58) **Field of Classification Search** D14/137,
D14/138, 230-238, 299, 358, 343; D12/42,
D12/43; 343/700 R-705, 871-908, 795,
343/840, 711-713, 819, 846; 455/90.2, 90.3,
455/91, 128, 269, 344, 347, 562.1; D22/137-143
See application file for complete search history.

(56) **References Cited**

U.S. PATENT DOCUMENTS

D246,049 S * 10/1977 Nakamura D22/138

D346,197 S * 4/1994 Onishi et al. D22/142
D454,863 S * 3/2002 Hudgeons D14/232
6,378,239 B1 * 4/2002 Listvan 343/711
D494,573 S * 8/2004 Curtis et al. D14/234

* cited by examiner

Primary Examiner—Louis S. Zarfaz

Assistant Examiner—John Windmuller

(74) *Attorney, Agent, or Firm*—Christopher & Weisberg,
P.A.

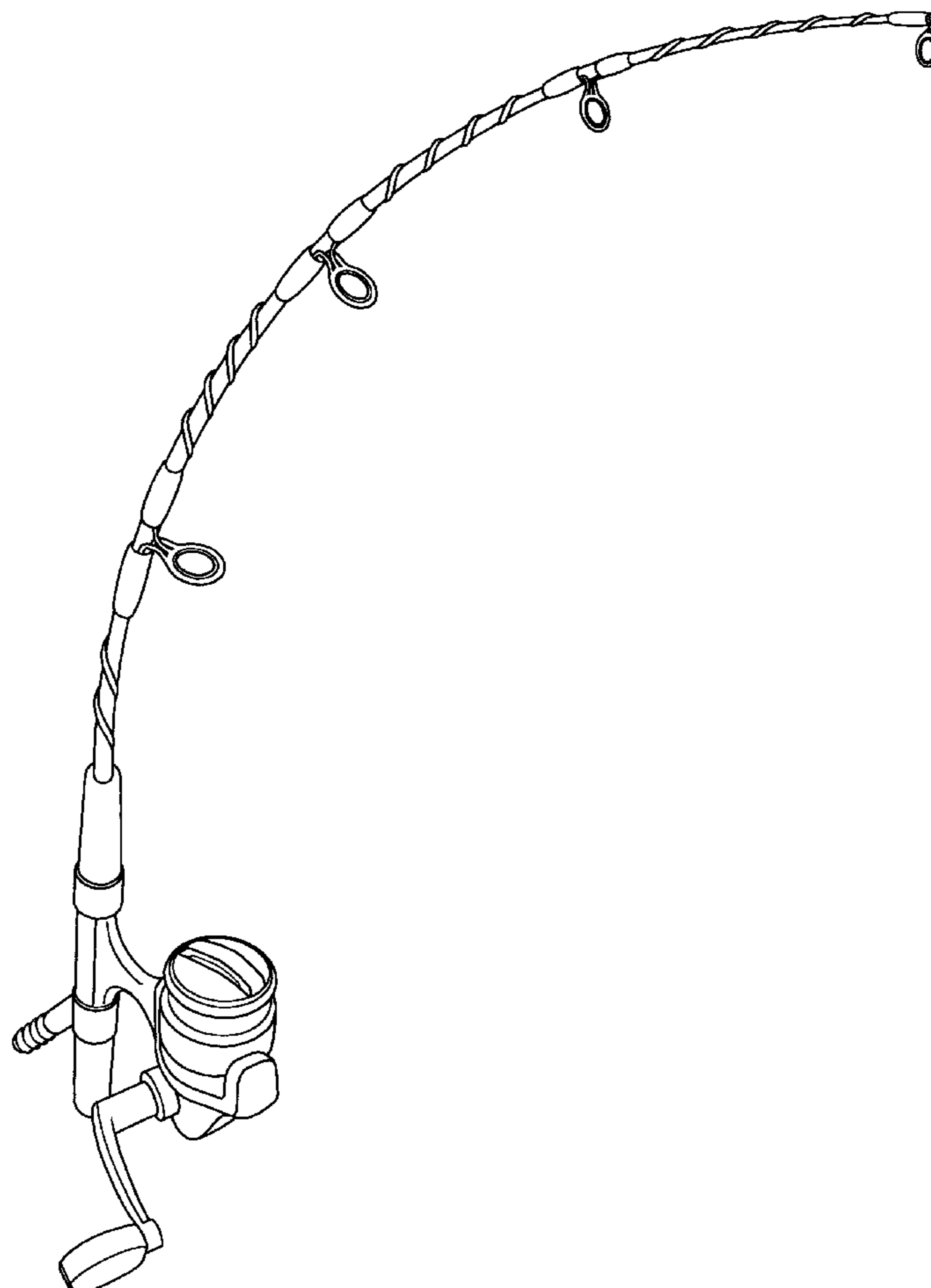
(57) **CLAIM**

The ornamental design for a car antenna, as shown and described.

DESCRIPTION

FIG. 1 is a left side elevational view of a car antenna showing my new design;
FIG. 2 is a front perspective view thereof;
FIG. 3 is a rear perspective view thereof; and,
FIG. 4 is a left side elevational view thereof affixed to a car. The broken line showing of a car is for illustrative purposes only and forms no part of the claimed design.

1 Claim, 4 Drawing Sheets



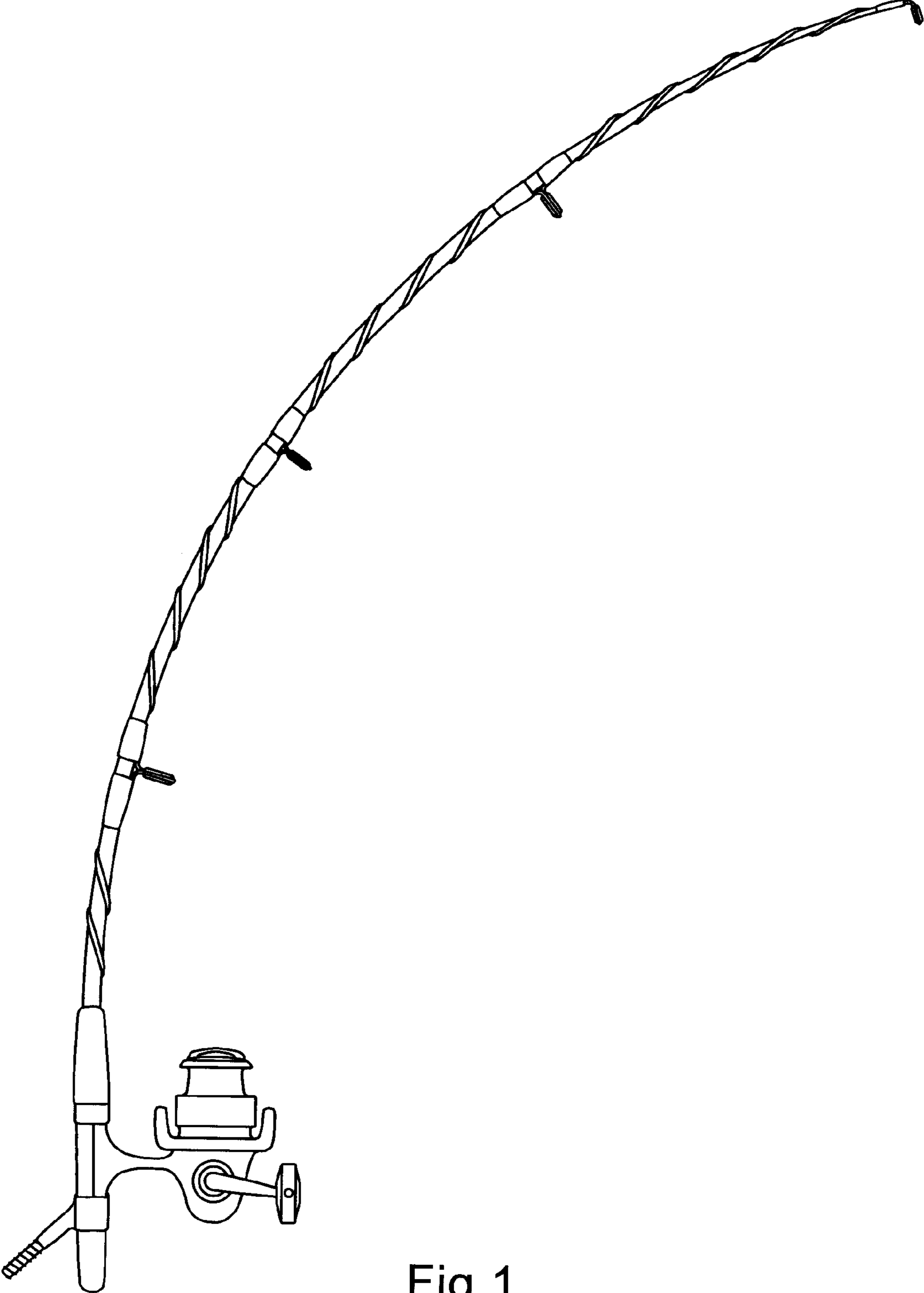


Fig. 1

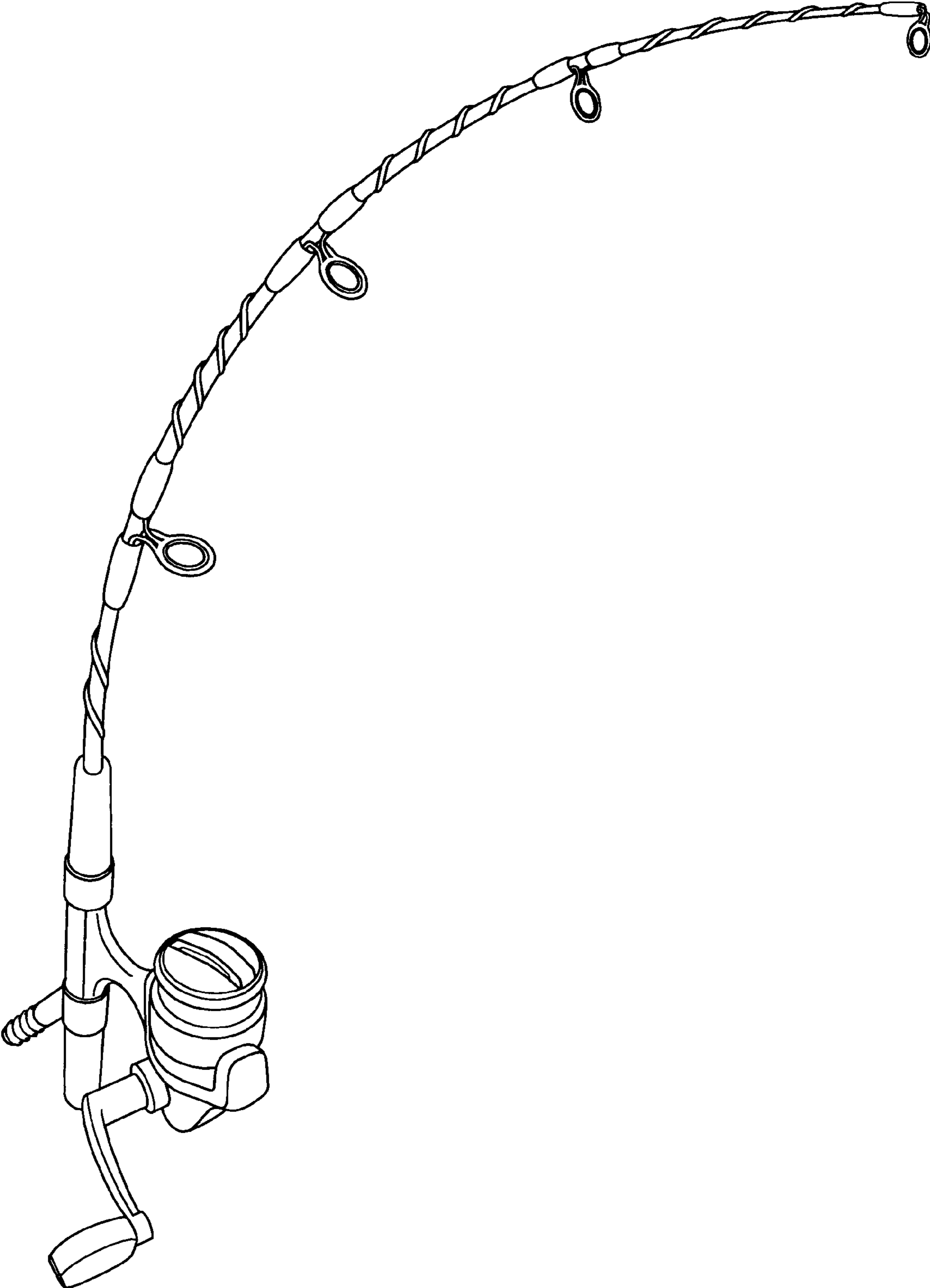


Fig.2

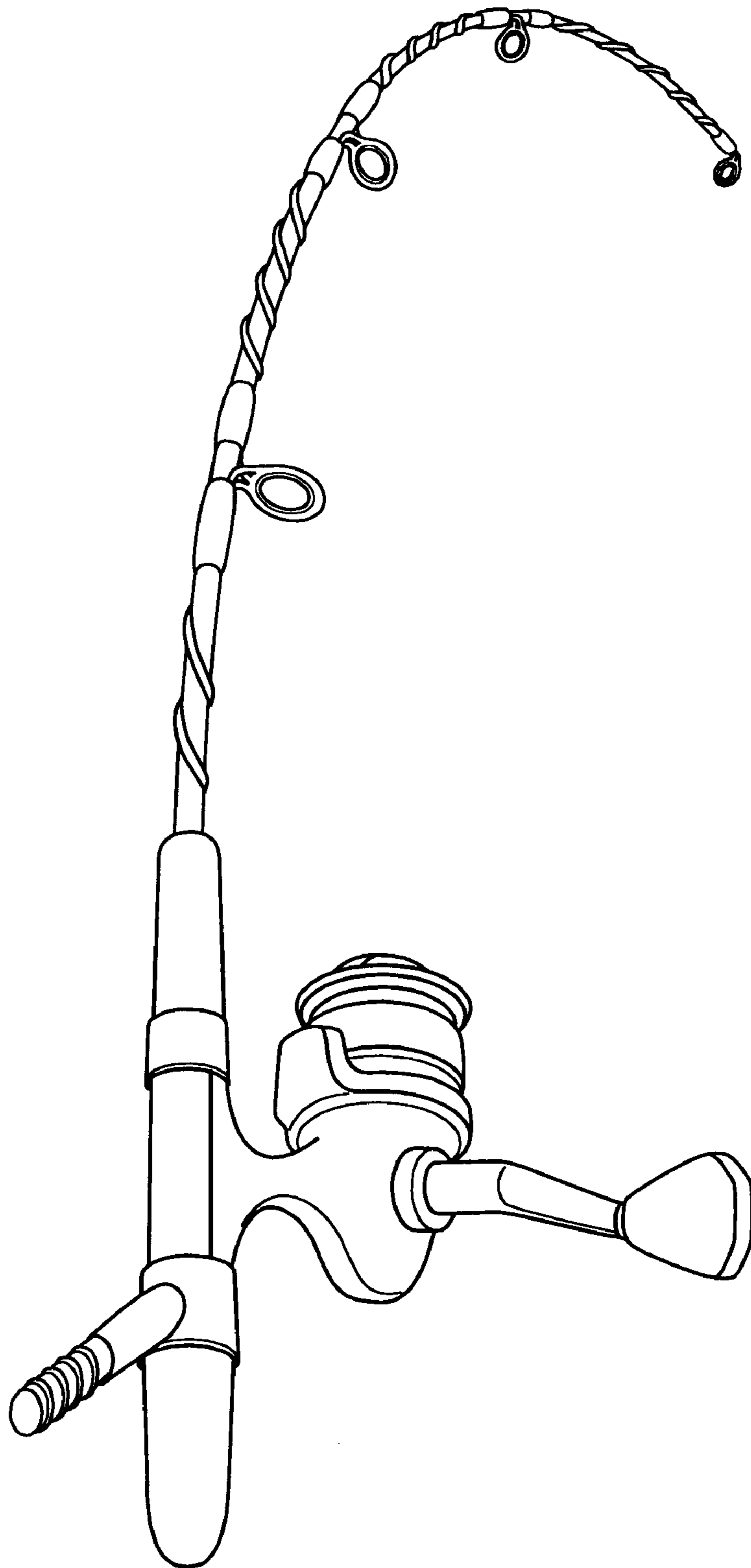


Fig. 3

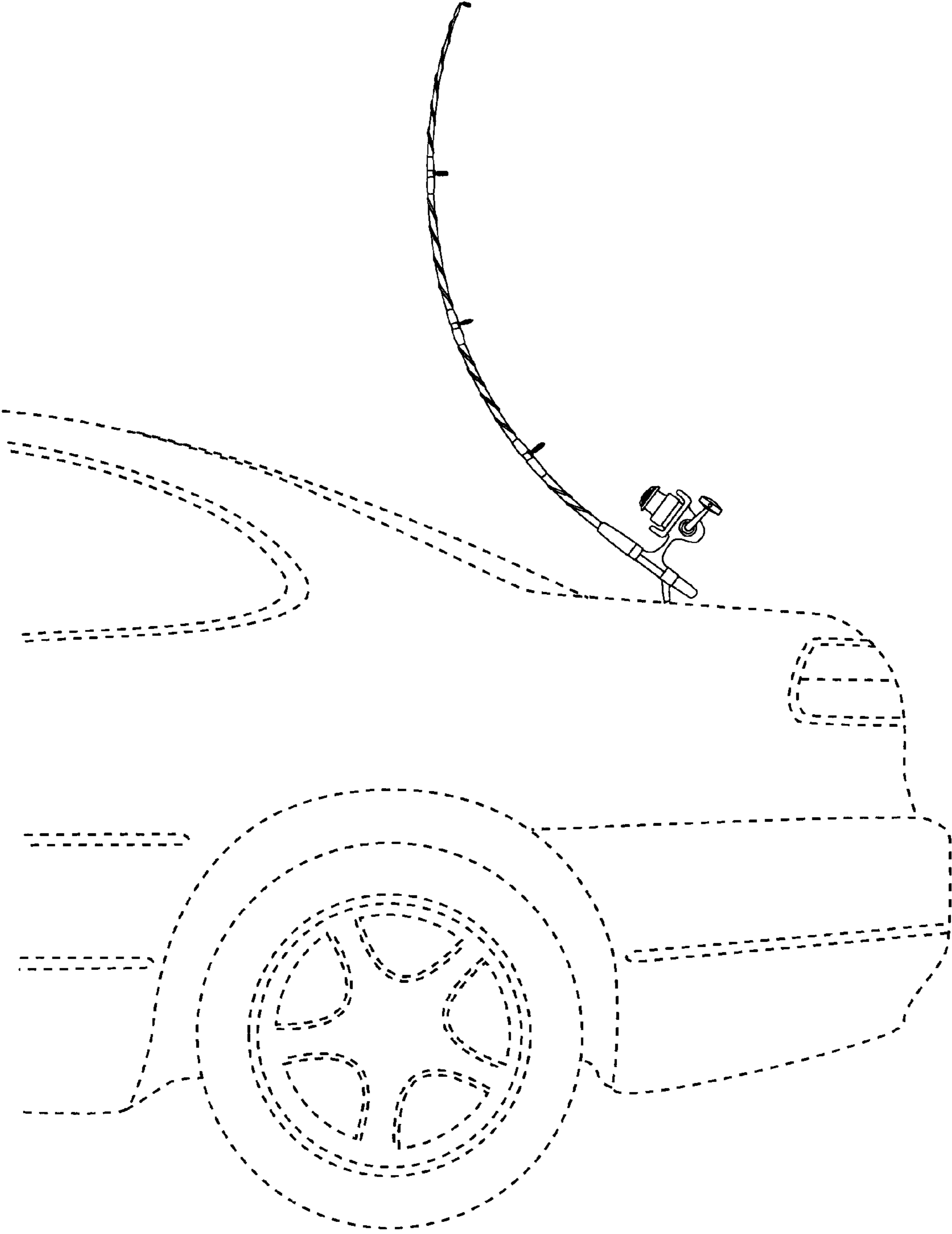


Fig.4