



US00D534520S

(12) **United States Design Patent**
Caspi et al.

(10) **Patent No.:** **US D534,520 S**

(45) **Date of Patent:** **** Jan. 2, 2007**

(54) **COMBINED RADIO AND CD PLAYER**

(75) Inventors: **Yuval Caspi**, Granada Hills, CA (US);
Daniel Garcia, Los Angeles, CA (US)

(73) Assignee: **MGA Entertainment, Inc.**, Van Nuys,
CA (US)

(**) Term: **14 Years**

(21) Appl. No.: **29/234,683**

(22) Filed: **Jul. 21, 2005**

(51) **LOC (8) Cl.** **14-01**

(52) **U.S. Cl.** **D14/168; D12/501**

(58) **Field of Classification Search** D14/160-165,
D14/168, 197-198, 188, 217; D21/501; 455/100,
455/344, 346, 347-351; 369/75.11, 75.21,
369/77.21, 77.11; 720/612, 619, 647, 655
See application file for complete search history.

(56) **References Cited**

U.S. PATENT DOCUMENTS

- D310,835 S * 9/1990 Grimes D14/163
- D329,856 S * 9/1992 Tamaki D14/168
- D348,461 S * 7/1994 Peersmann D14/189

- D355,464 S * 2/1995 Wilson et al. D12/501
- D369,602 S * 5/1996 Santarsiero et al. D14/163
- D395,047 S * 6/1998 Segan et al. D14/168

* cited by examiner

Primary Examiner—Nanda Bondade

(74) *Attorney, Agent, or Firm*—Sheppard, Mullin, Richter
& Hampton LLP

(57) **CLAIM**

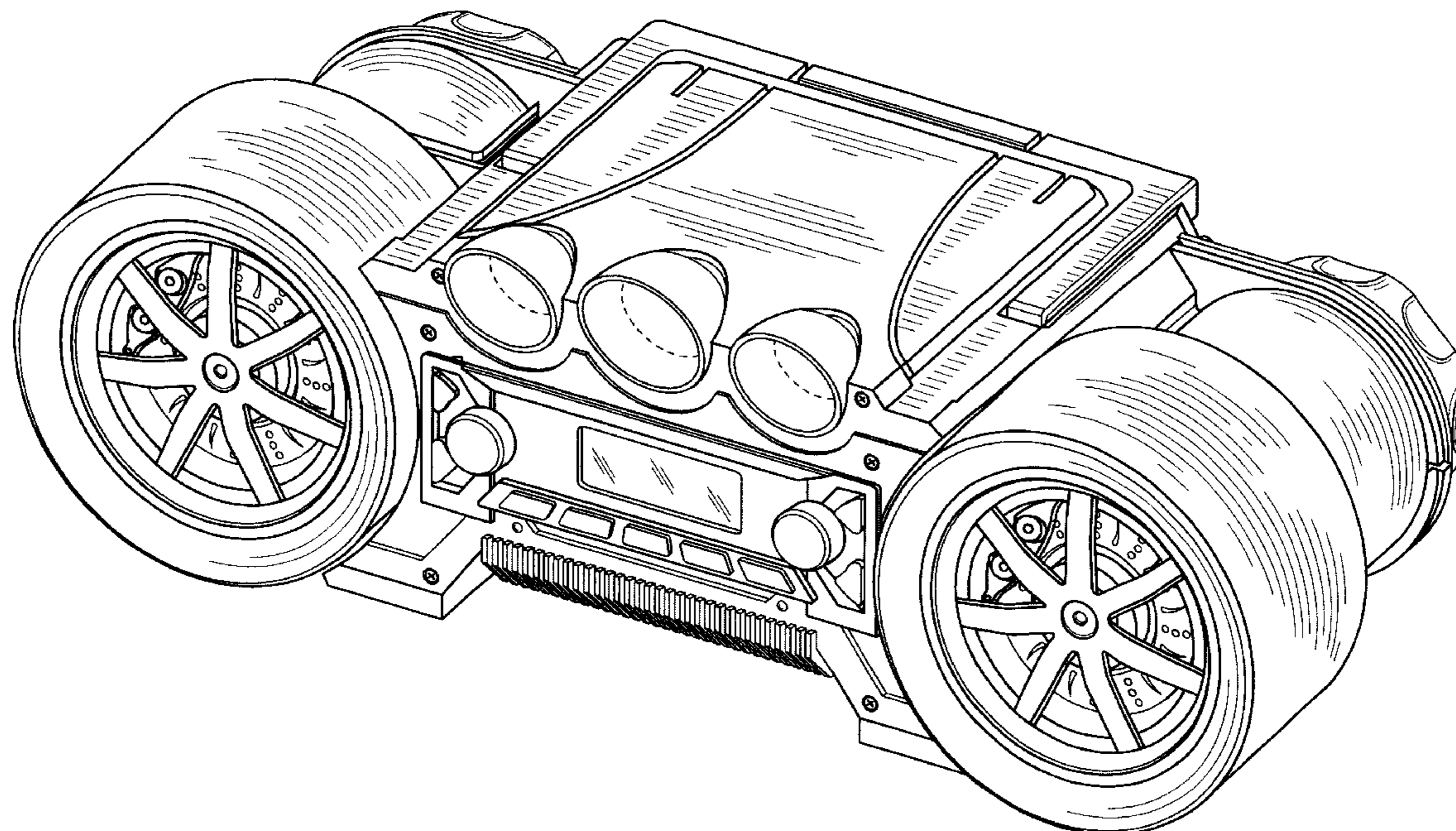
We claim the ornamental design for a combined radio and
CD player, as shown and described.

DESCRIPTION

FIG. 1 is a perspective view of a combined radio and CD
player showing the new design;
FIG. 2 is a front elevational view thereof;
FIG. 3 is a rear elevational view thereof;
FIG. 4 is a right side elevational view thereof;
FIG. 5 is a left side elevational view thereof;
FIG. 6 is a top plan view thereof; and,
FIG. 7 is a bottom plan view thereof.

The broken line showing on the drawing disclosure is for
illustrative purposes only and forms no part of the claimed
design.

1 Claim, 4 Drawing Sheets



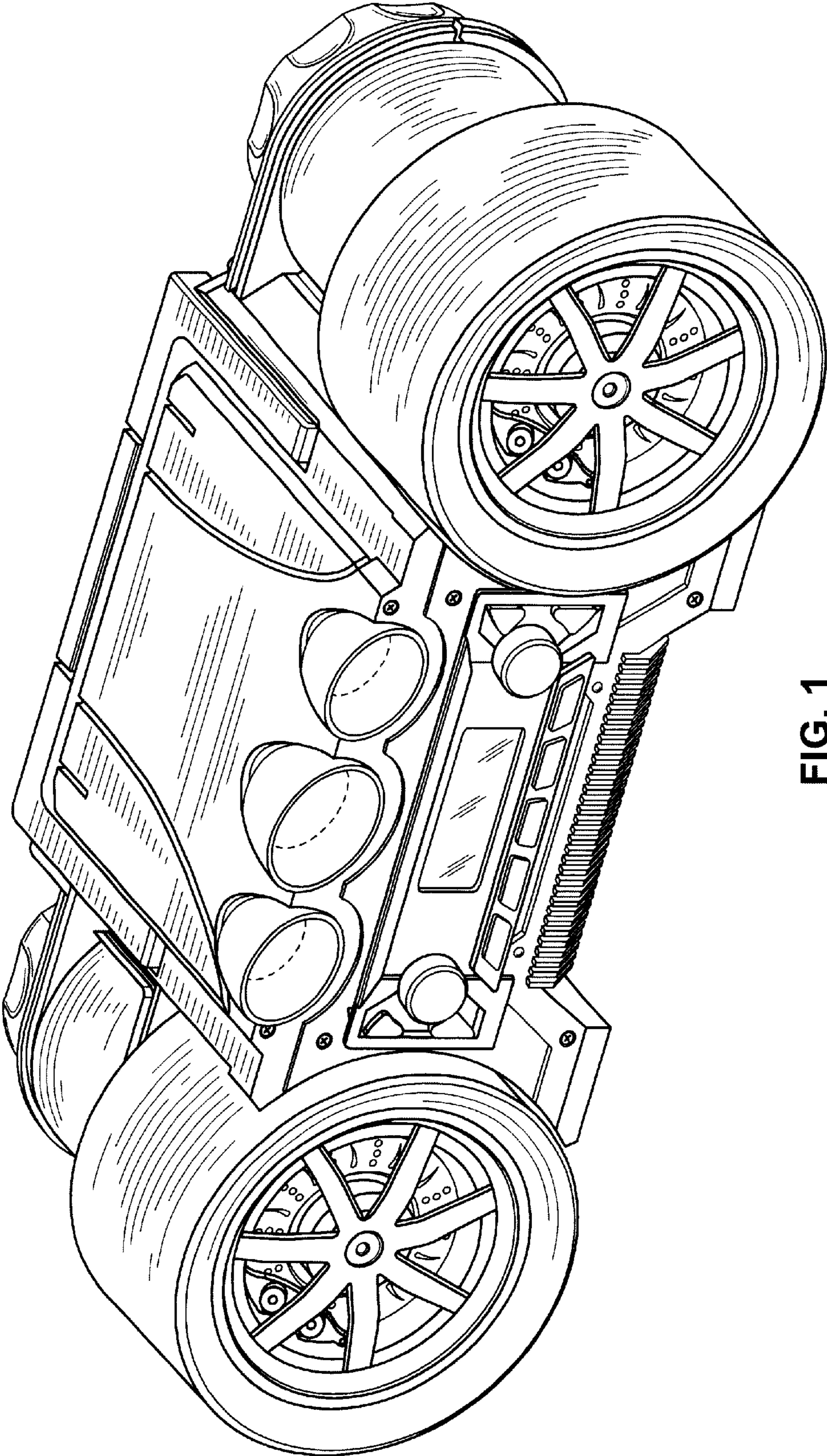


FIG. 1

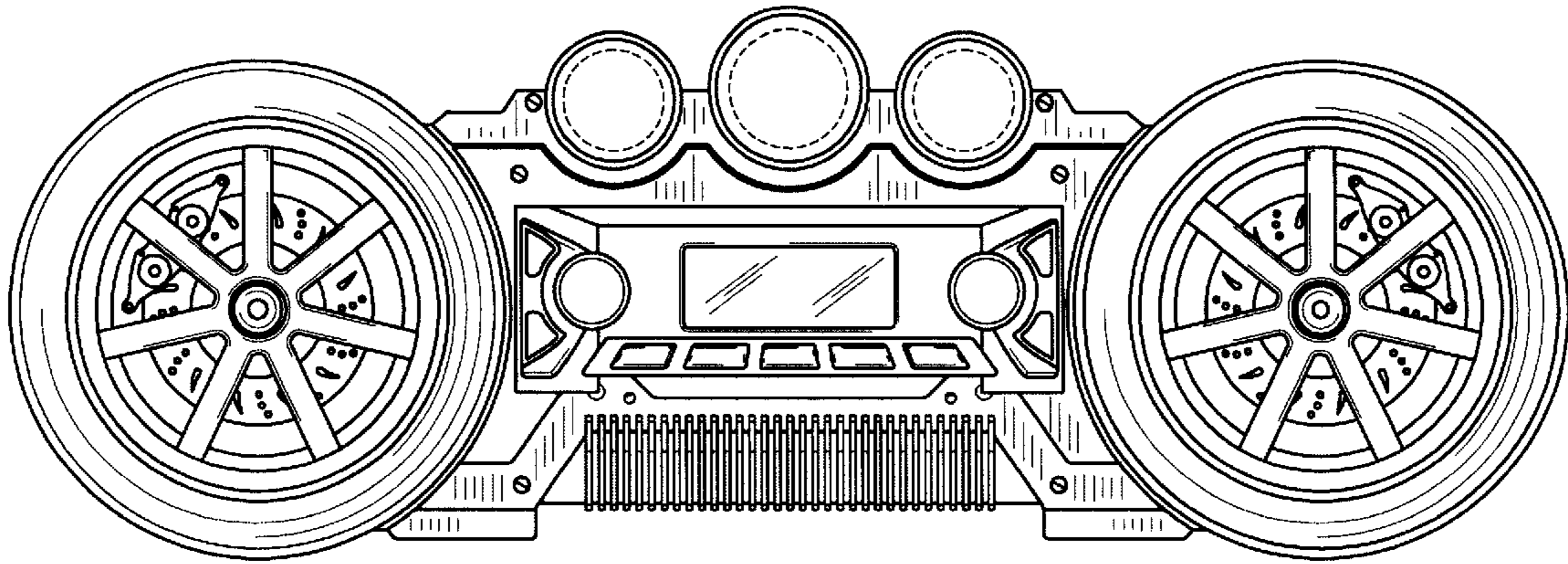


FIG. 2

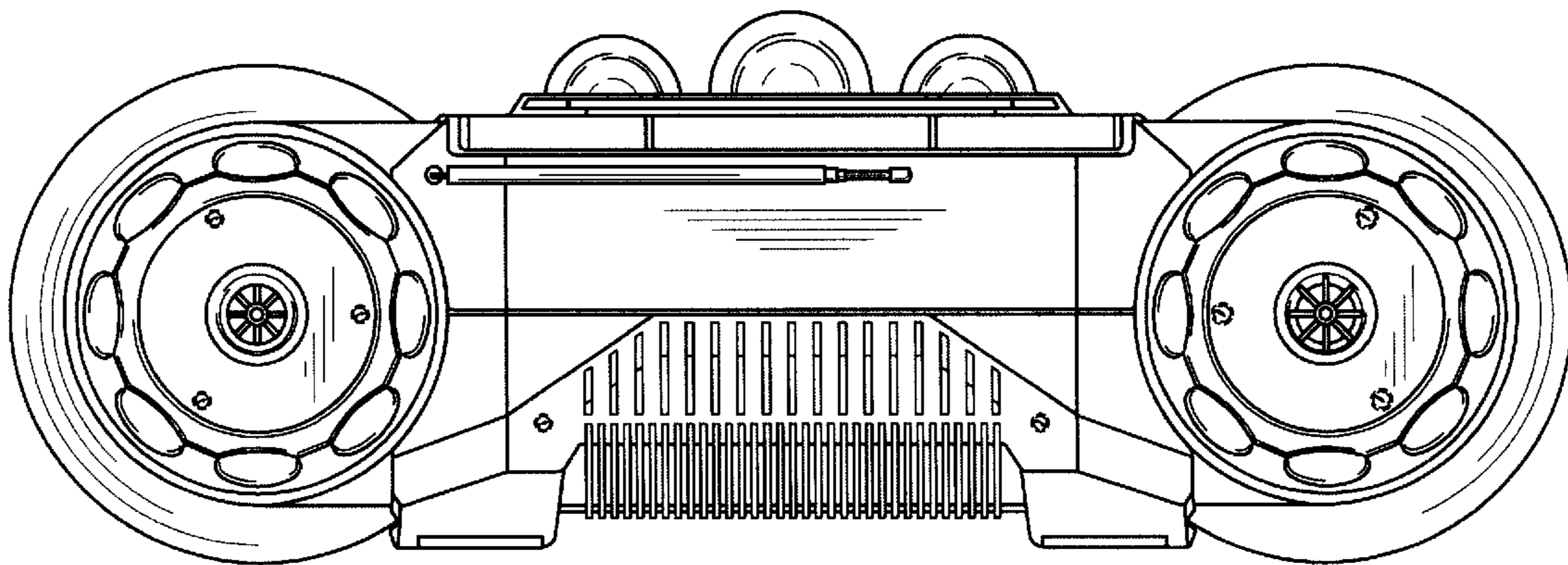


FIG. 3

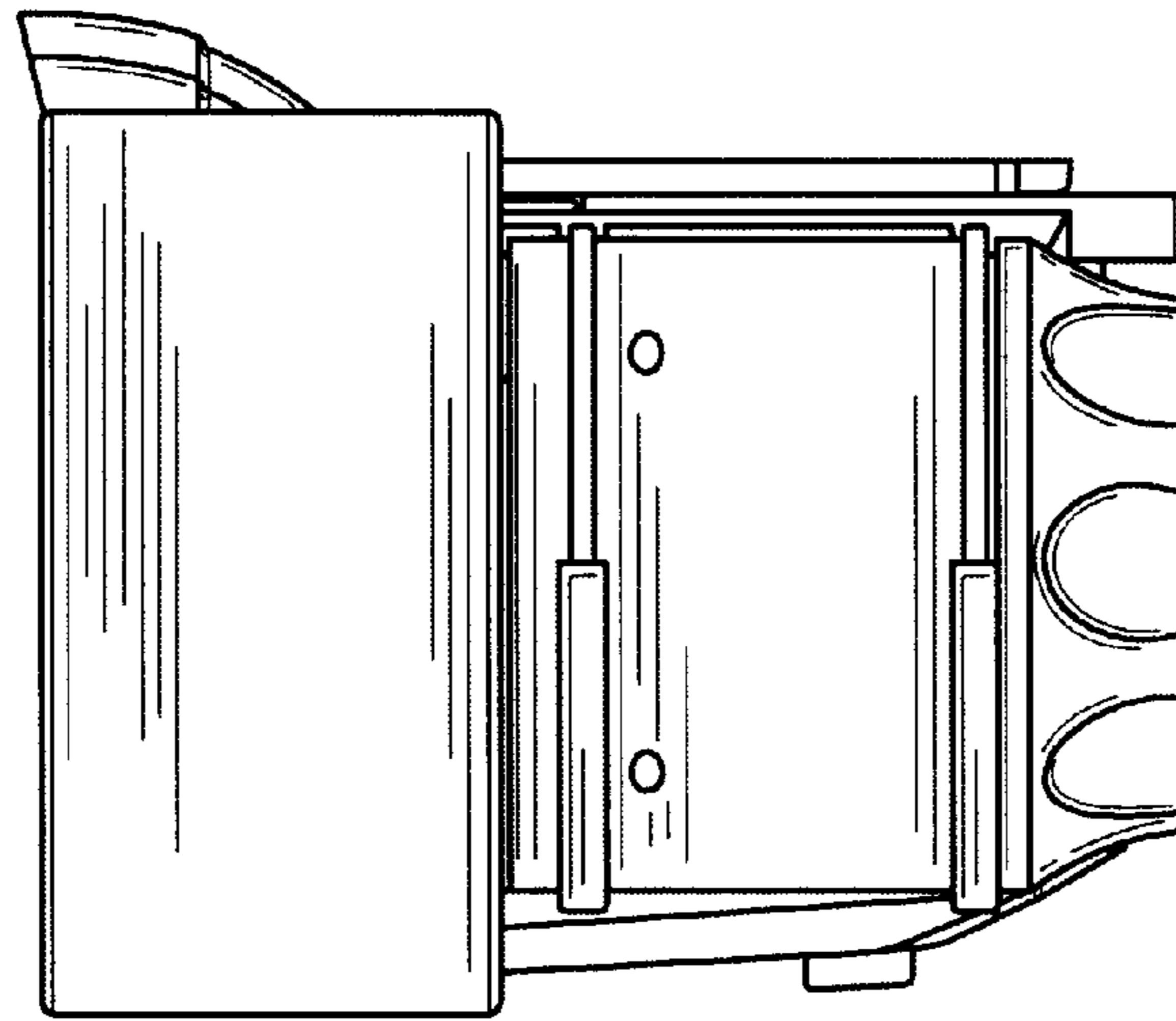


FIG. 4

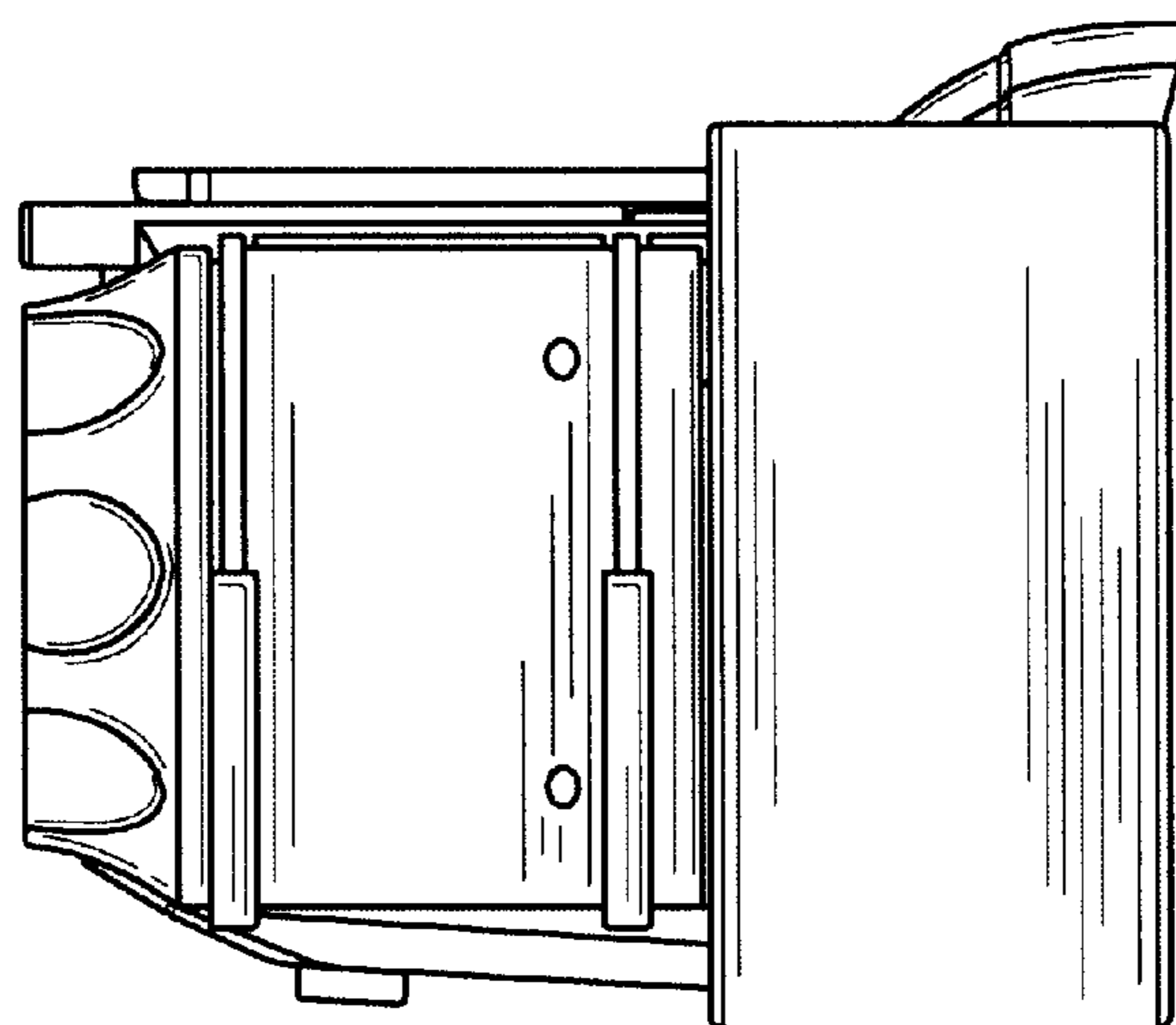


FIG. 5

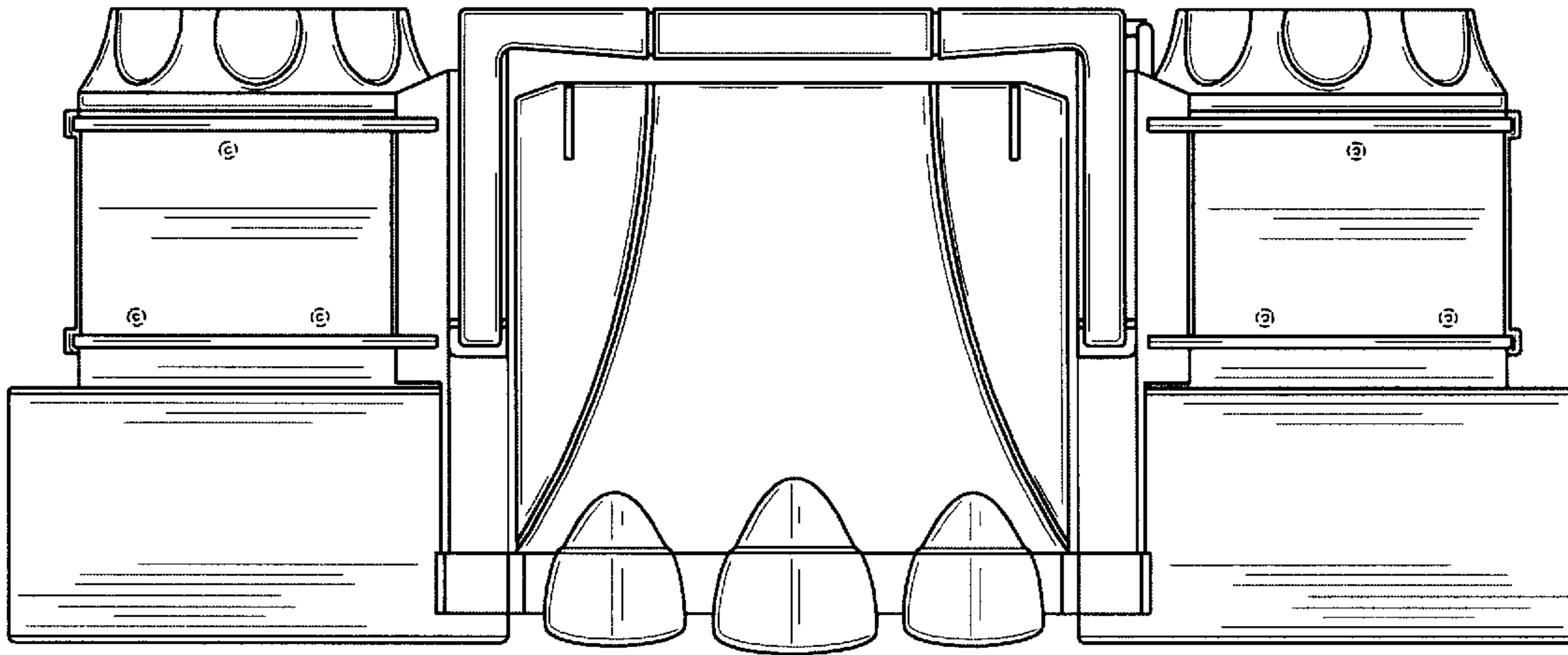


FIG. 6

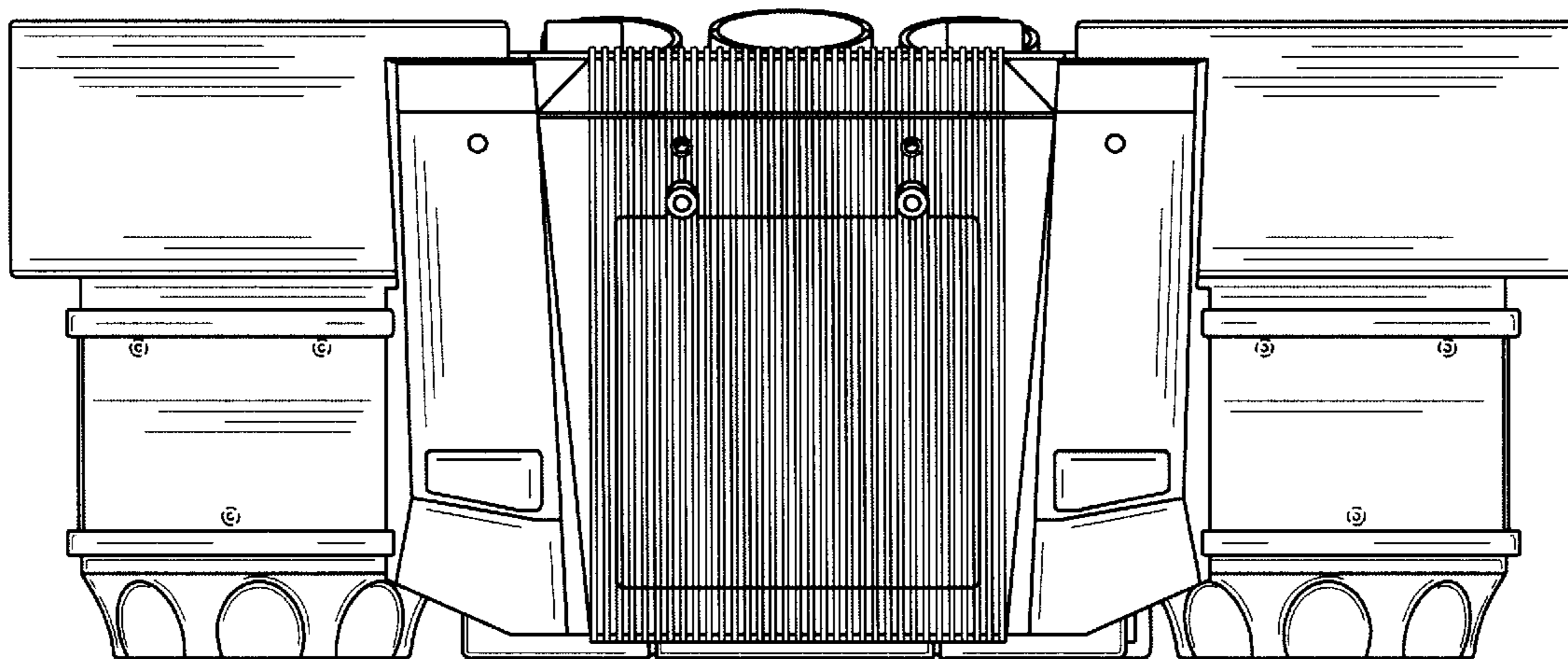


FIG. 7