



US00D534513S

(12) **United States Design Patent**
Peng

(10) **Patent No.:** **US D534,513 S**
(45) **Date of Patent:** **** Jan. 2, 2007**

(54) **TRANSPORTABLE DVD MULTIMEDIA
PLAYER**

(75) Inventor: **Juen Tien Peng, Chung Li (TW)**

(73) Assignee: **Action Electronics Co., Ltd., Chung Li
(TW)**

(**) Term: **14 Years**

(21) Appl. No.: **29/215,695**

(22) Filed: **Oct. 25, 2004**

(51) **LOC (8) Cl.** **14-03**

(52) **U.S. Cl.** **D14/132**

(58) **Field of Classification Search** D14/125,
D14/129, 132, 136, 156, 374, 375; 348/180,
348/184, 325, 838; 341/12; 345/104, 133,
345/156, 168, 173, 87; 720/605, 669, 600,
720/655; 369/99, 197; 455/344, 345, 346,
455/347, 566; 368/12

See application file for complete search history.

(56) **References Cited**

U.S. PATENT DOCUMENTS

- D445,100 S * 7/2001 Sawai D14/136
- D447,738 S * 9/2001 Usami et al. D14/136
- D456,373 S * 4/2002 Usami et al. D14/136

- D484,472 S * 12/2003 Isshiki D14/132
- D485,540 S * 1/2004 Isshiki D14/129
- D501,452 S * 2/2005 Peng D14/129
- D501,453 S * 2/2005 Peng D14/129
- D501,656 S * 2/2005 Peng D14/129
- D501,833 S * 2/2005 Peng D14/129
- D501,835 S * 2/2005 Peng D14/129
- D507,548 S * 7/2005 Peng D14/129
- D510,330 S * 10/2005 Peng D14/132
- D513,500 S * 1/2006 Chen D14/129

* cited by examiner

Primary Examiner—Philip S. Hyder

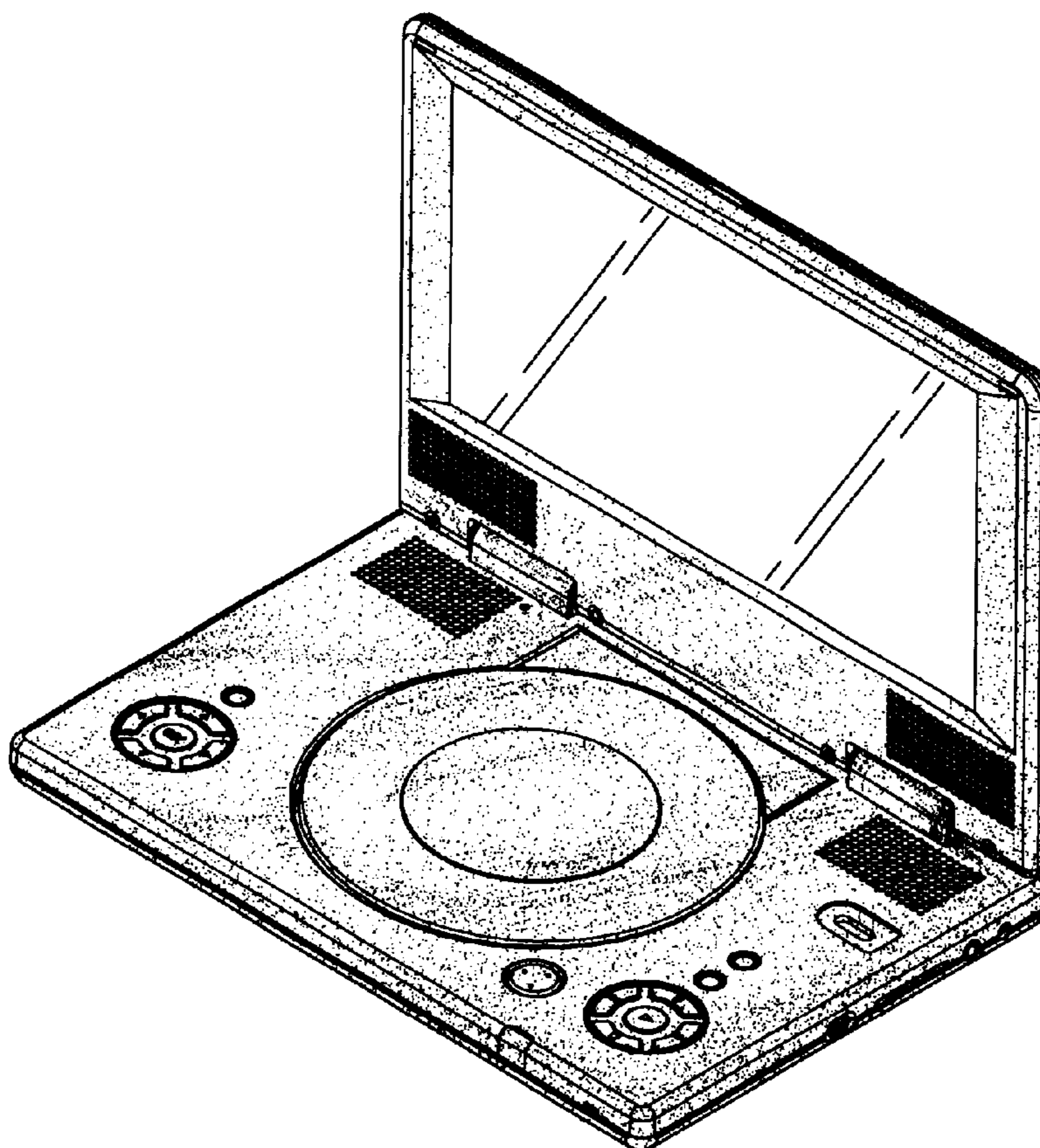
(57) **CLAIM**

The ornamental design for a transportable DVD multimedia player, as shown and described.

DESCRIPTION

FIG. 1 is a perspective view of transportable DVD multimedia player showing my new design; FIG. 2 is a front elevational view thereof; FIG. 3 is rear elevational view thereof; FIG. 4 is left elevational view thereof; FIG. 5 is a right elevational view thereof; FIG. 6 is a top view thereof; and, FIG. 7 is a bottom view thereof.

1 Claim, 4 Drawing Sheets



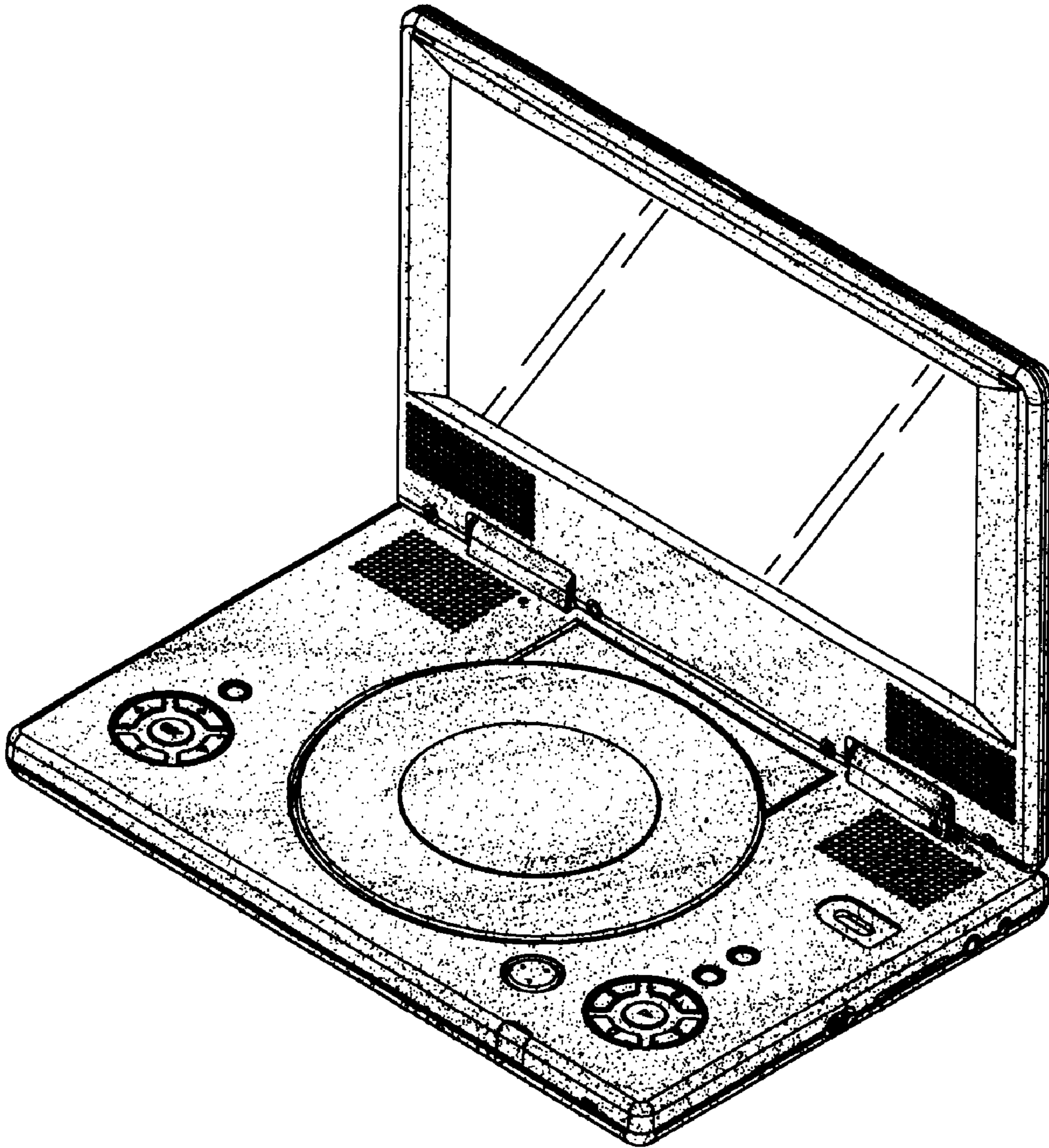


FIG. 1

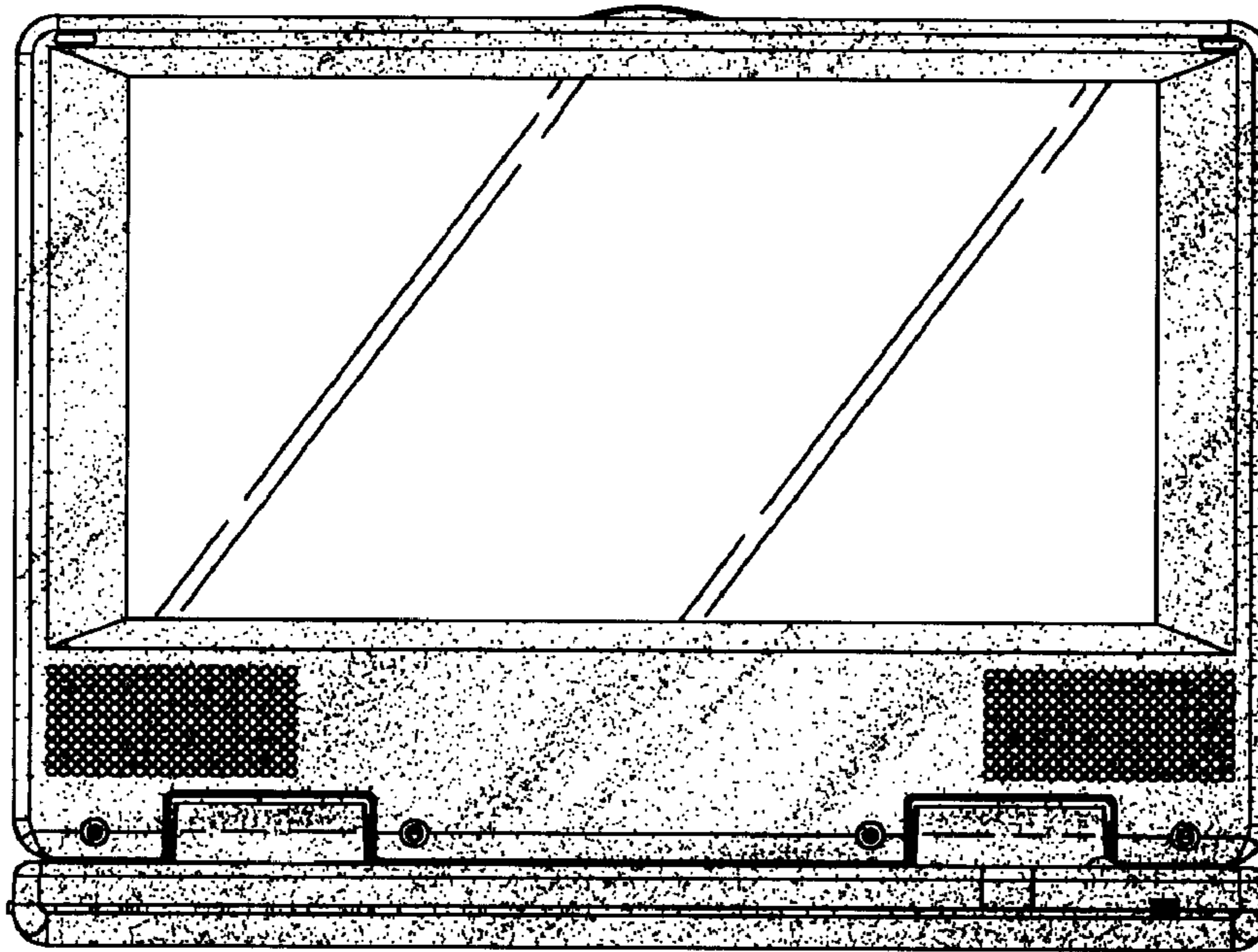


FIG. 2

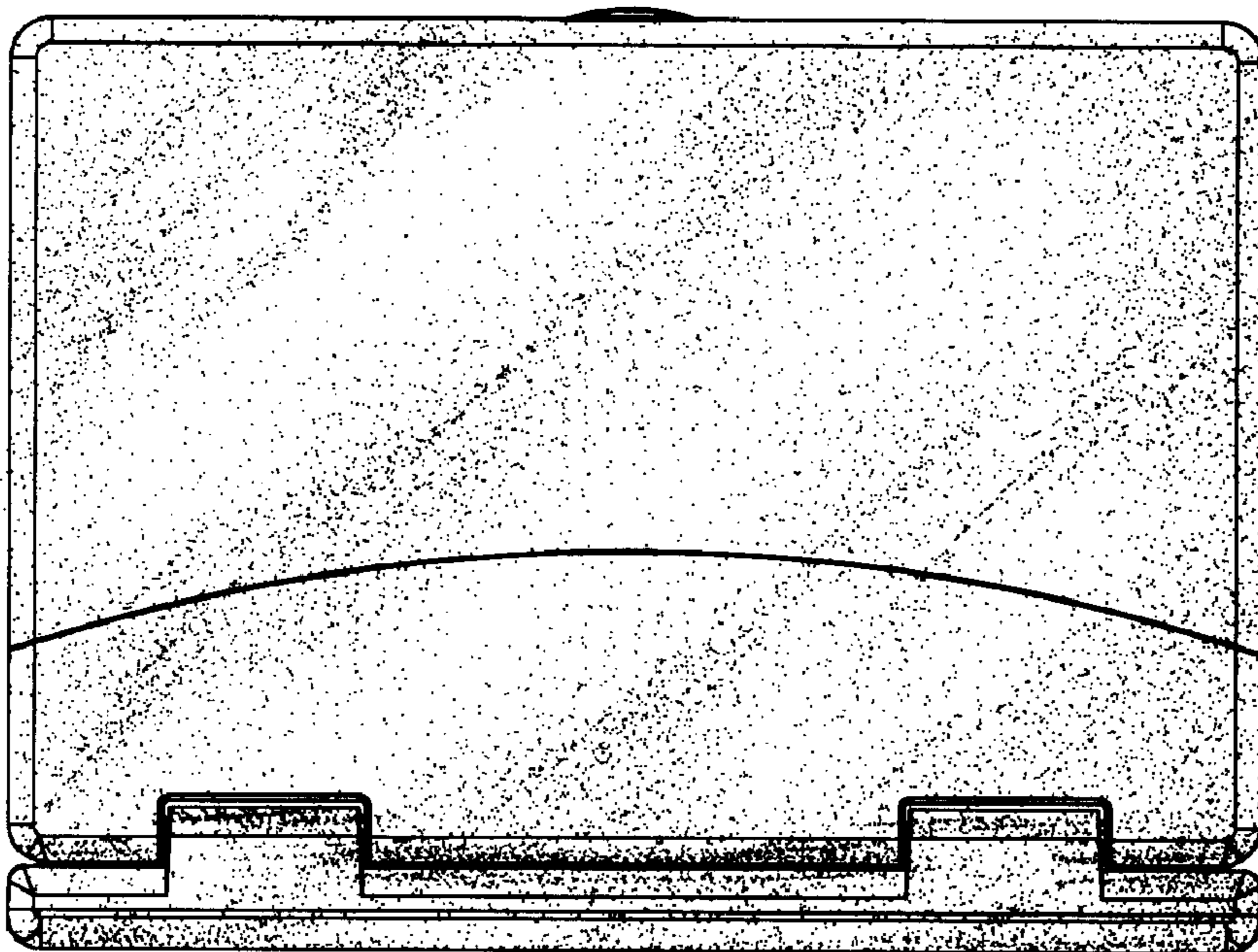


FIG. 3

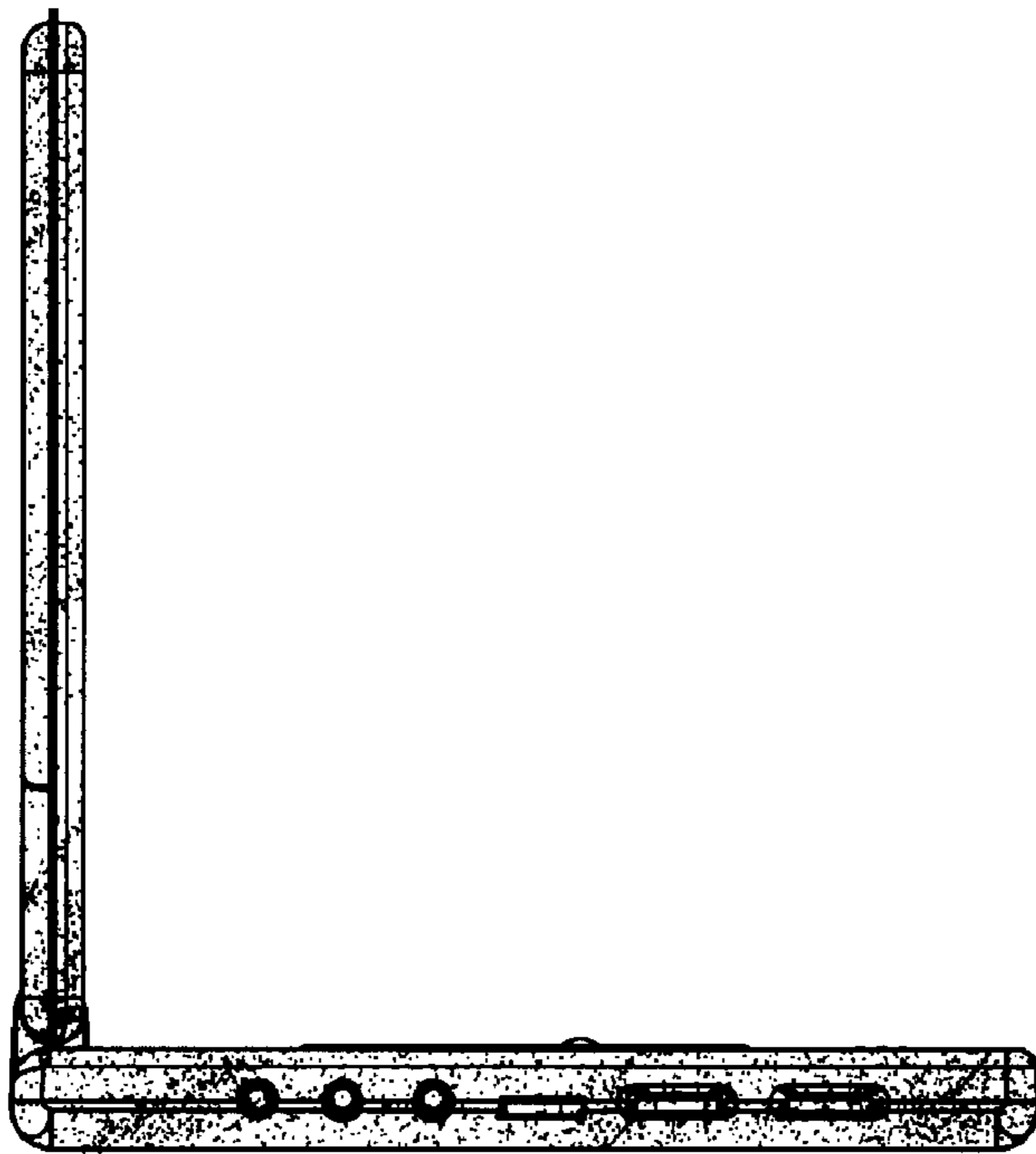


FIG. 4

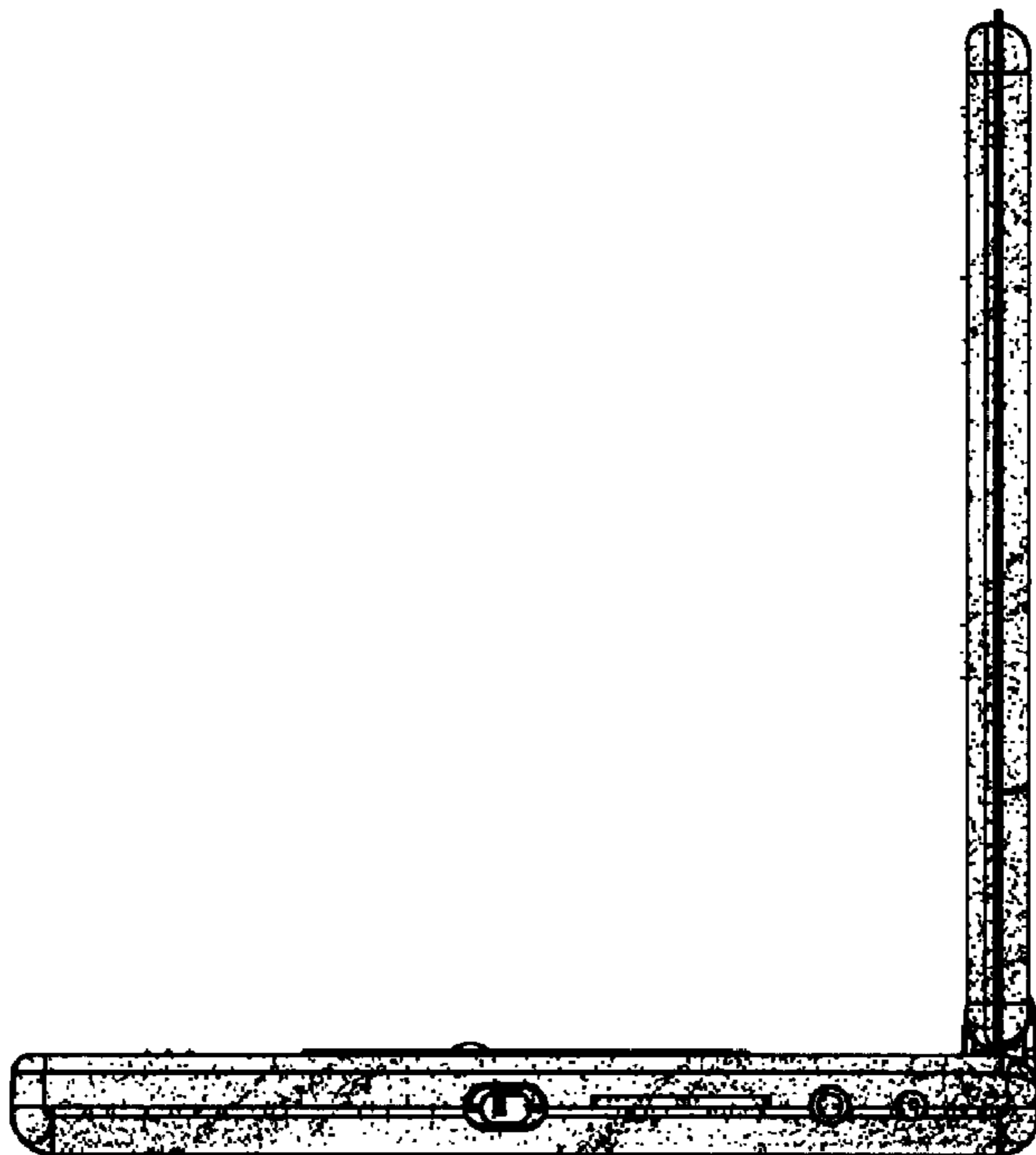


FIG. 5

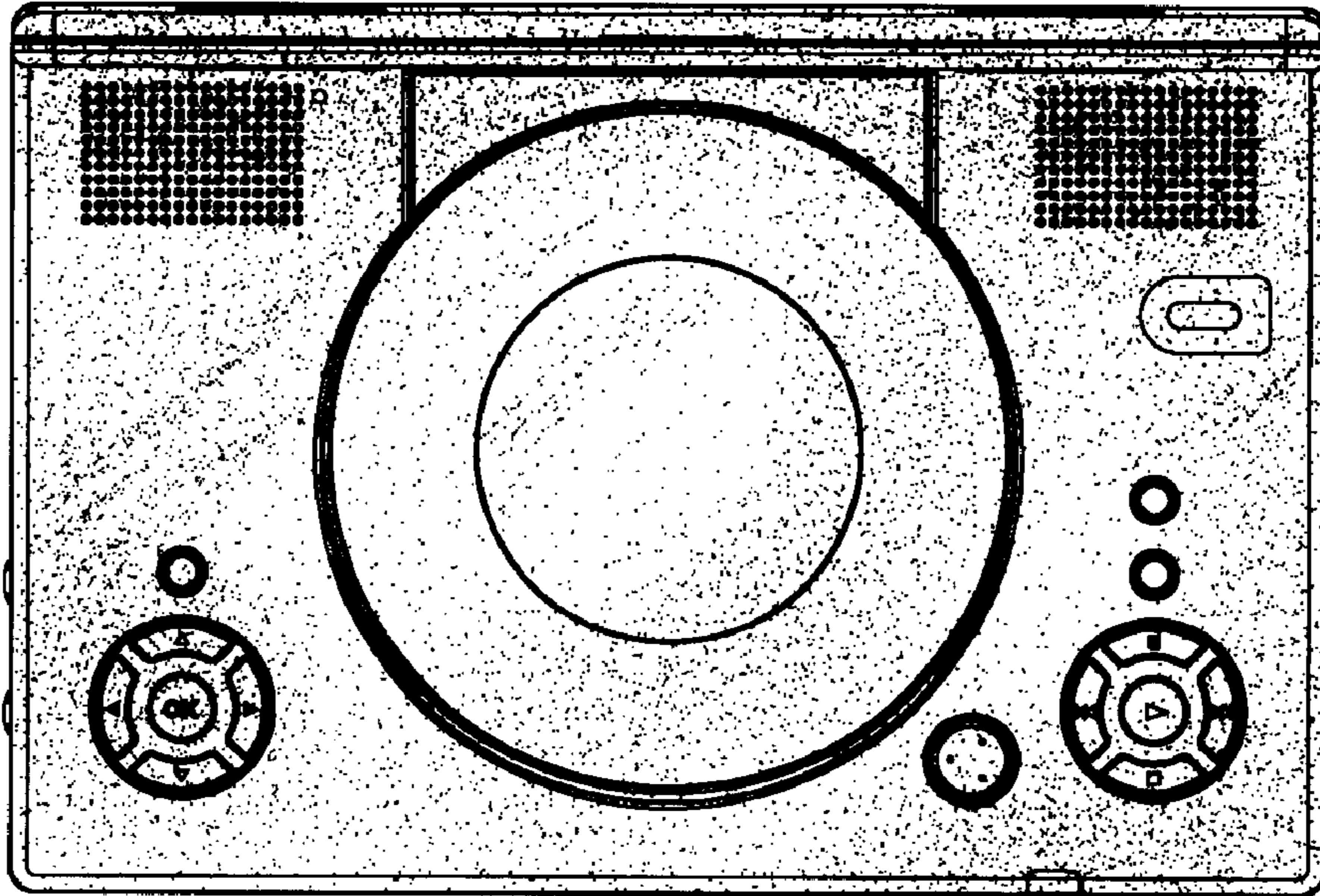


FIG. 6

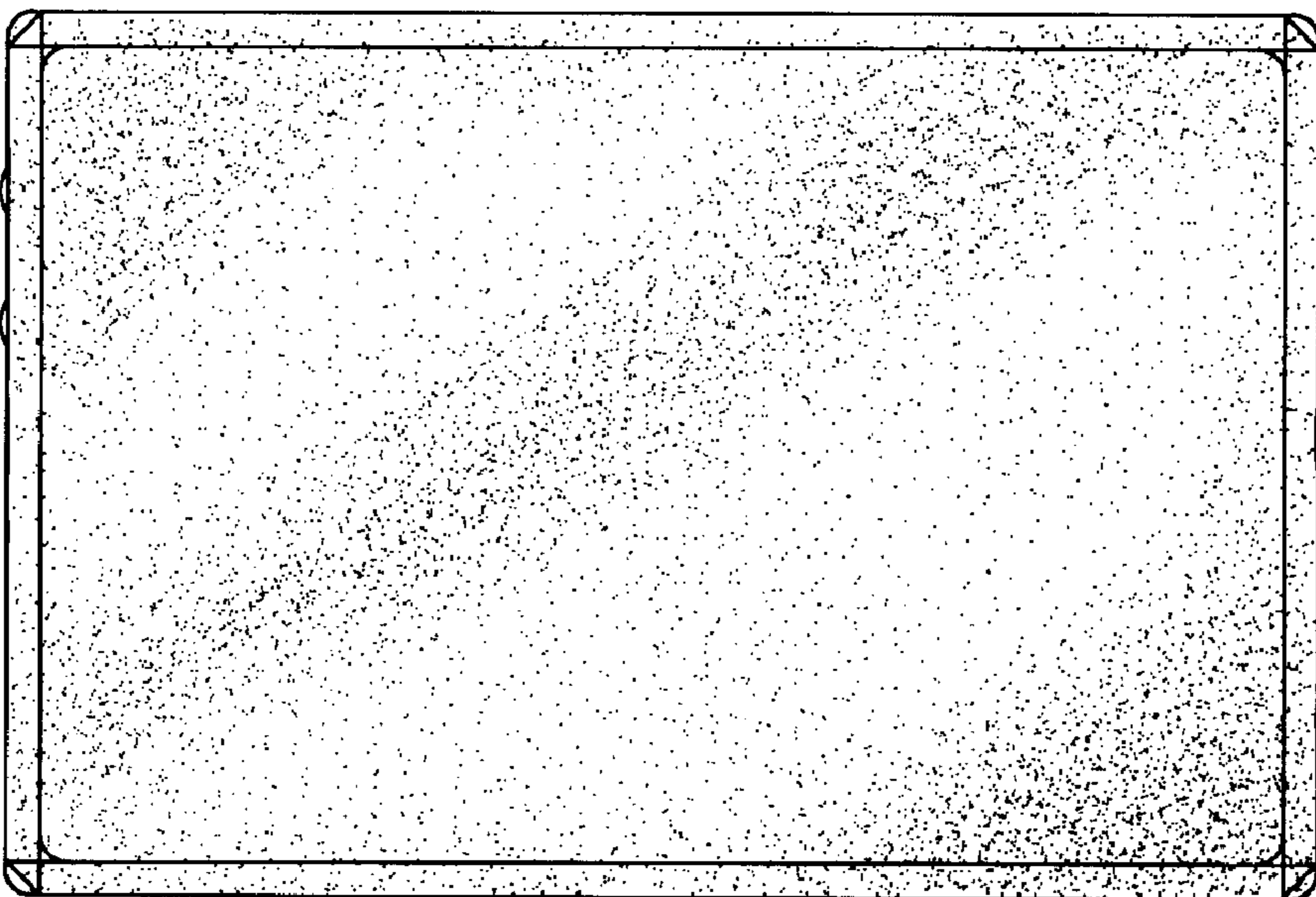


FIG. 7