

US00D534512S

(12) **United States Design Patent** (10) **Patent No.:** **US D534,512 S**  
**Kim** (45) **Date of Patent:** **\*\* Jan. 2, 2007**

(54) **VIDEO TELEPHONE**

FOREIGN PATENT DOCUMENTS

(75) Inventor: **Moo-Je Kim**, Incheon (KR)

WO DM/052738 \* 7/2000

(73) Assignee: **C&S Technology Co., Ltd.**, Seoul (KR)

OTHER PUBLICATIONS

(\*\*) Term: **14 Years**

“MoIP (Video Phone)”, 2 p including photo, [online], <URL:http://www.cnstec.com/eng/products/02\_pro\_detail.html?no=1008&part=bcn>, site visited Aug. 4, 2006.\*

(21) Appl. No.: **29/230,065**

“Diva—i300 Video Phone”, 1 p including photo, [online], <URL:http://www.allproducts.com/manufacture98/divavacs/product1.html>, site visited Aug. 1, 2006.\*

(22) Filed: **May 16, 2005**

“IP (Broadband) Video Phone”, 1 p including photo, [online], <URL:http://www.allproducts.com/manufacture98/nanwang/product2.html>, site visited Aug. 1, 2006.\*

(30) **Foreign Application Priority Data**

Mar. 25, 2005 (KR) ..... 30-2005-0009763

\* cited by examiner

(51) **LOC (8) Cl.** ..... **14-03**

(52) **U.S. Cl.** ..... **D14/130**

(58) **Field of Classification Search** ..... D14/125–130, D14/136, 144, 140–142, 146–151, 240, 317, D14/322, 329–330, 336–337, 374–376, 447, D14/496; 348/14.01–14.16, 211.99; 370/352, 370/356; 379/88.17, 90.01, 93.17, 93.19, 379/93.22, 102.06, 419, 420.01–420.04, 379/428.01–428.04, 433.01–436, 440–441, 379/454, 900; 382/103; 455/557, 566; 709/205, 709/228; 710/5; 725/32

*Primary Examiner*—Ian Simmons

*Assistant Examiner*—Carla Jobe Wright

(74) *Attorney, Agent, or Firm*—Harness, Dickey & Pierce, P.L.C.

See application file for complete search history.

(57) **CLAIM**

The ornamental design for a video telephone, as shown and described.

(56) **References Cited**

U.S. PATENT DOCUMENTS

5,400,068 A \* 3/1995 Ishida et al. .... 348/14.04  
5,430,473 A \* 7/1995 Beecher et al. .... 348/14.05  
D402,978 S \* 12/1998 Wang et al. .... D14/130  
D452,222 S \* 12/2001 Lee ..... D14/130  
D463,780 S \* 10/2002 Hung ..... D14/130  
2003/0214573 A1 \* 11/2003 Oh ..... 348/14.01  
2006/0126894 A1 \* 6/2006 Mori ..... 382/103

**DESCRIPTION**

FIG. 1 is a perspective view of a video telephone showing my new design;

FIG. 2 is a front elevational view thereof;

FIG. 3 is a rear elevational view thereof;

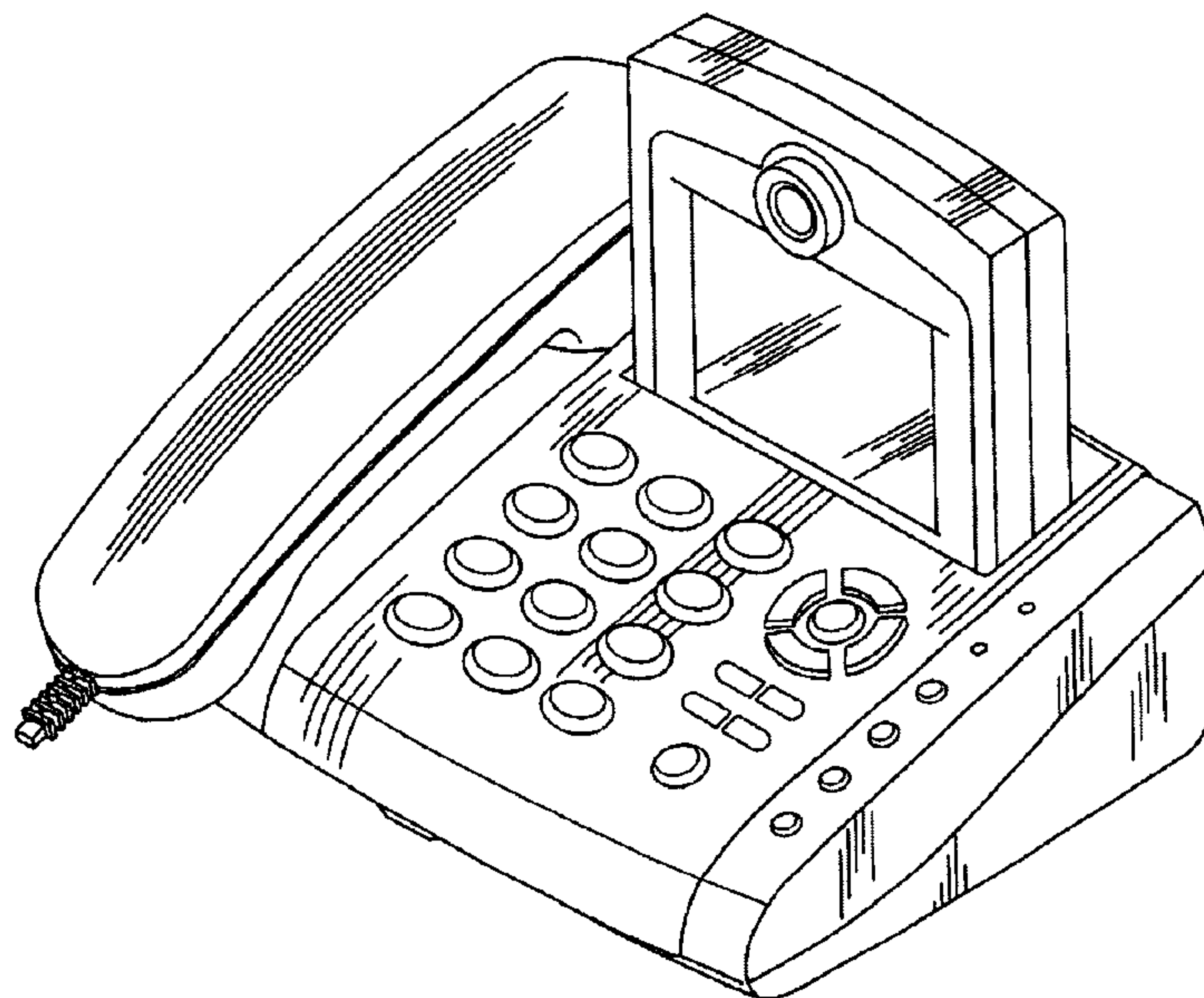
FIG. 4 is a left side elevational view thereof;

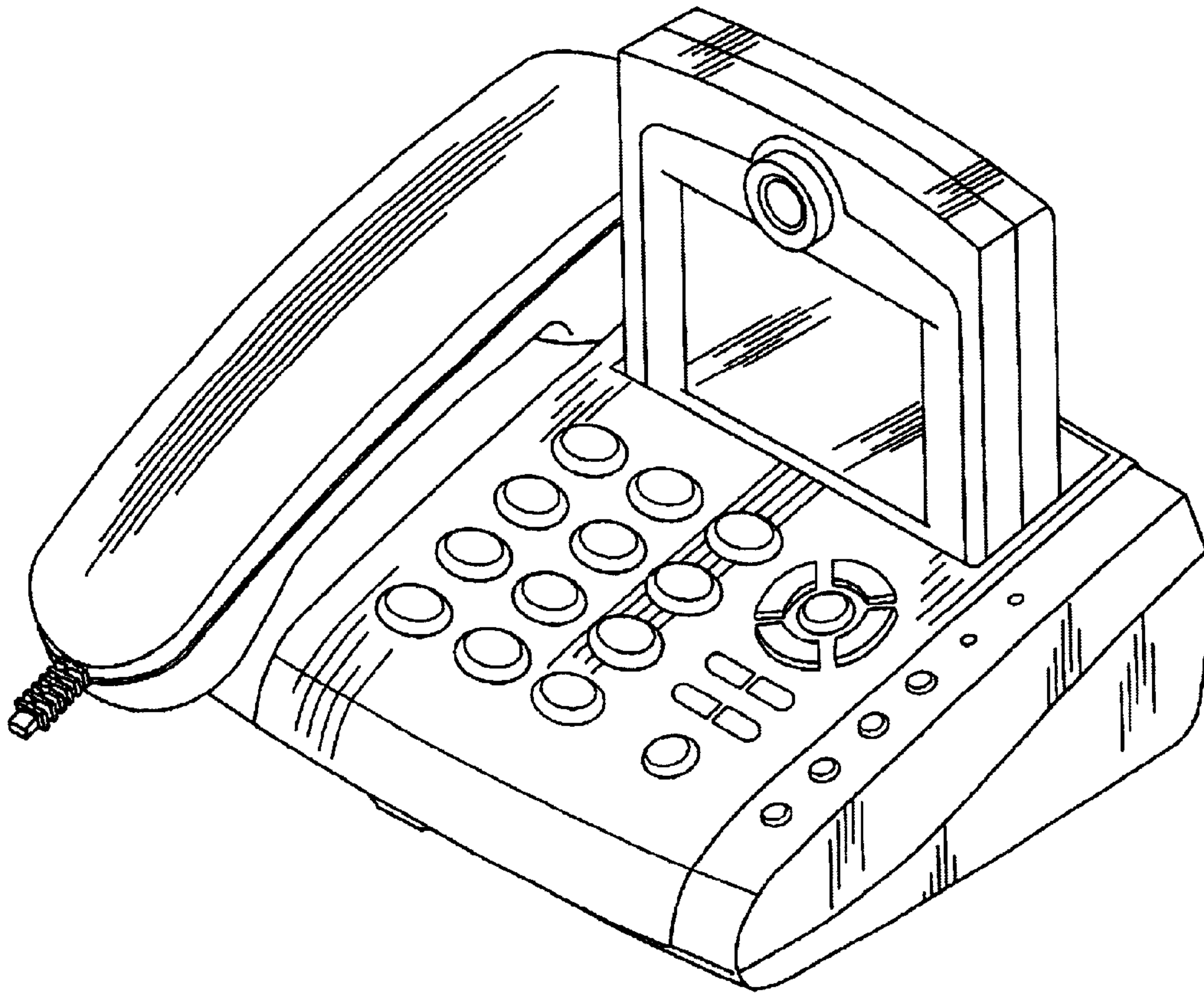
FIG. 5 is a right side elevational view thereof;

FIG. 6 is a top plan view thereof; and,

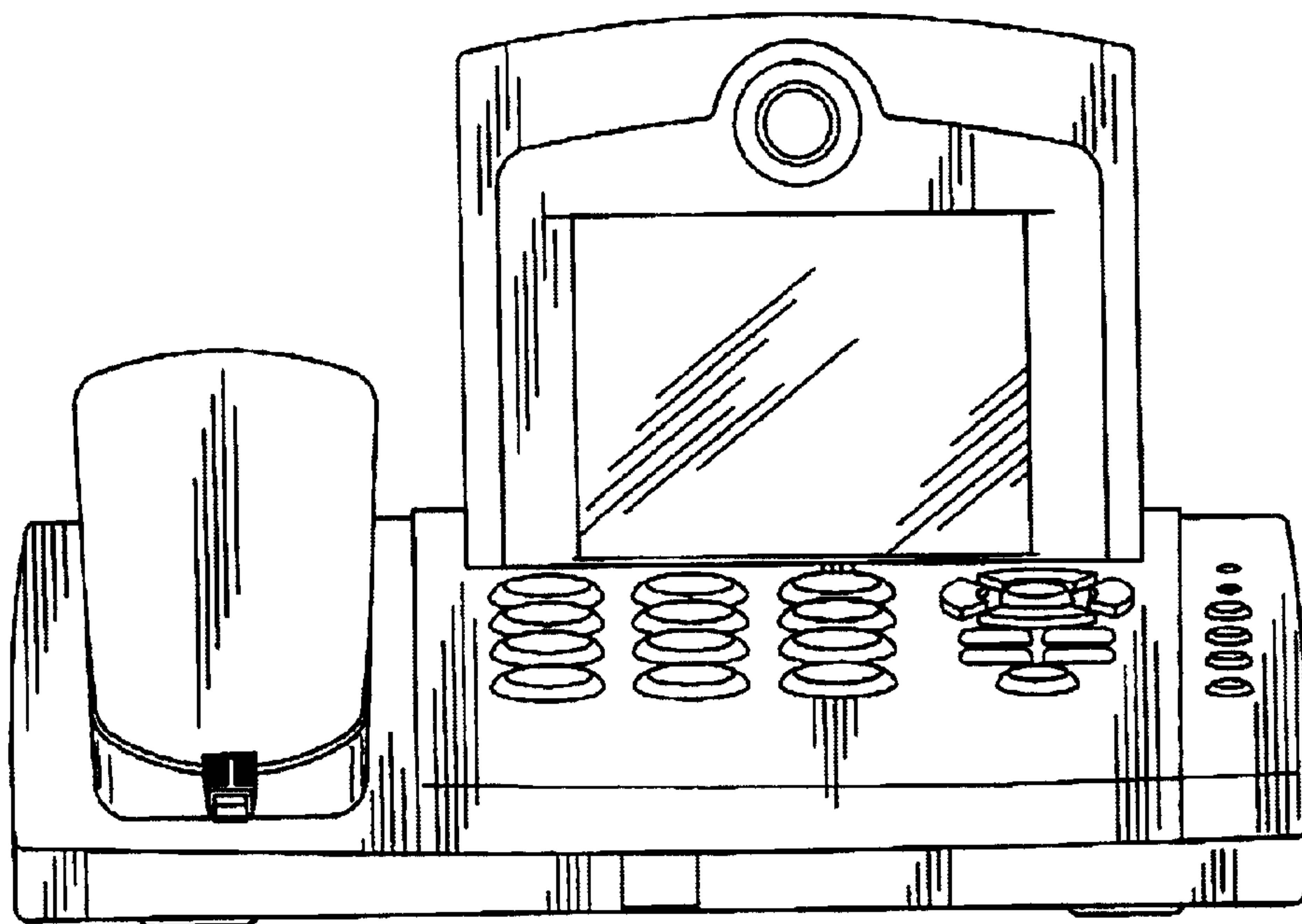
FIG. 7 is a bottom plan view thereof.

**1 Claim, 7 Drawing Sheets**

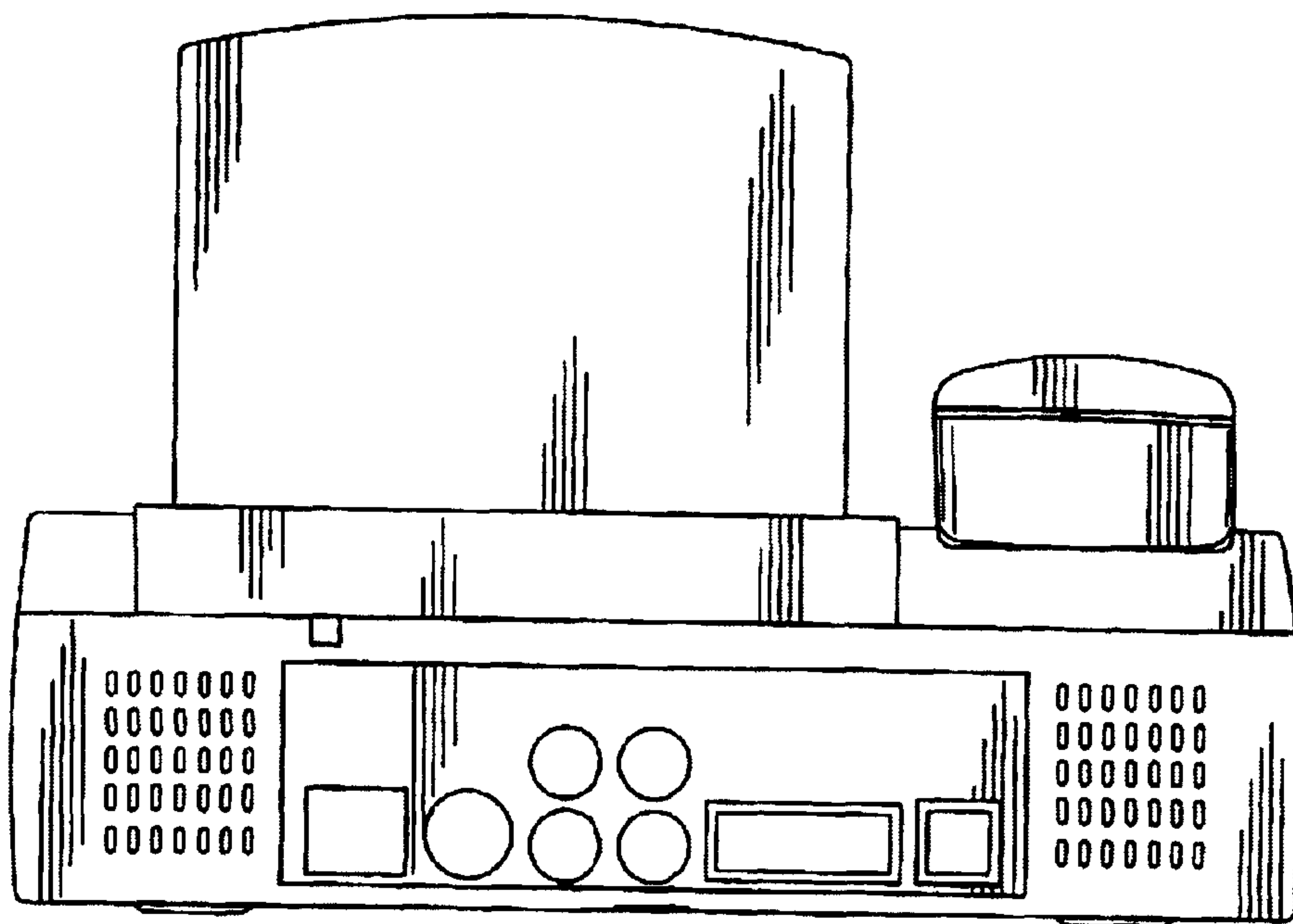




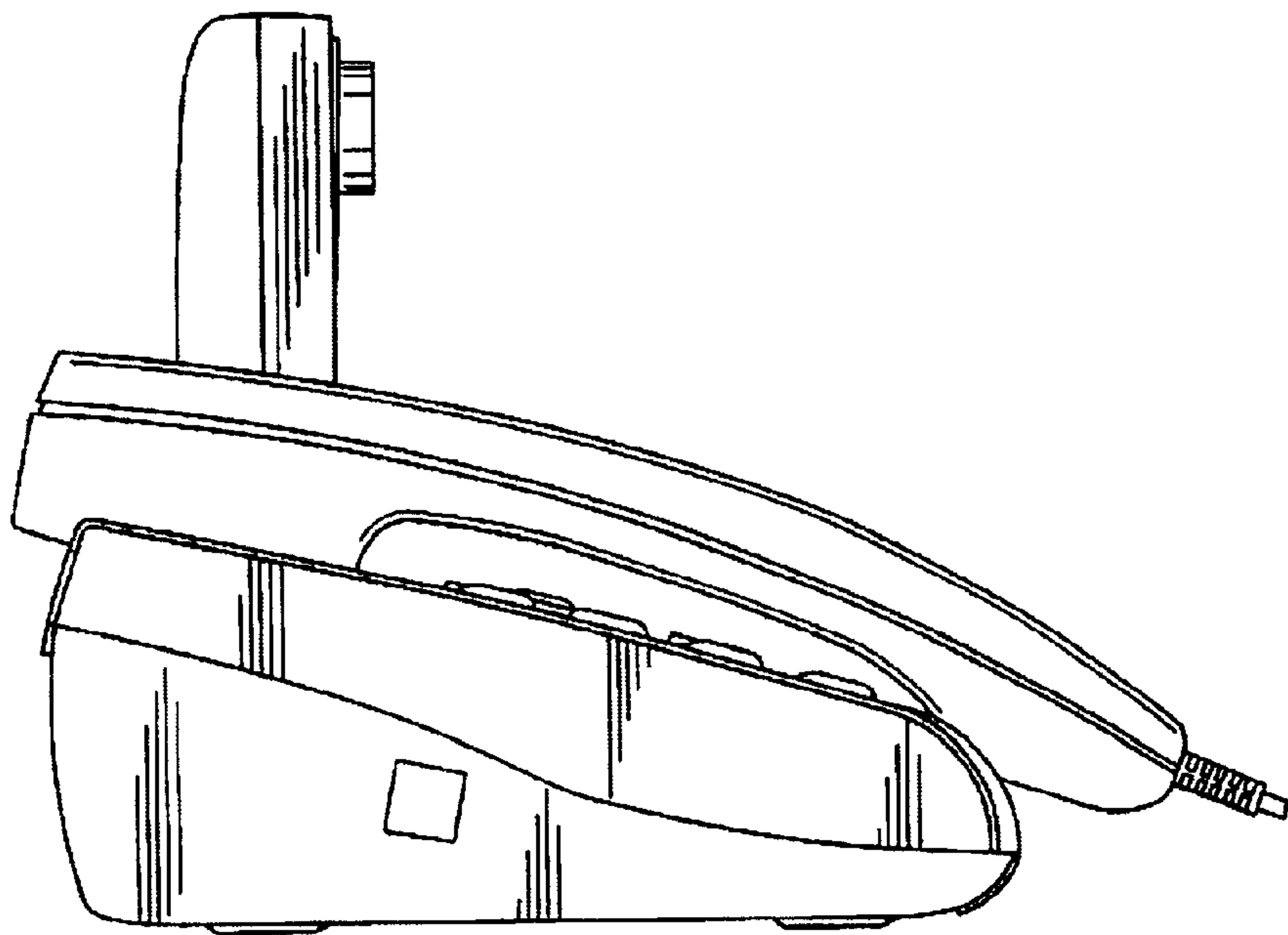
**FIG - 1**



**FIG - 2**

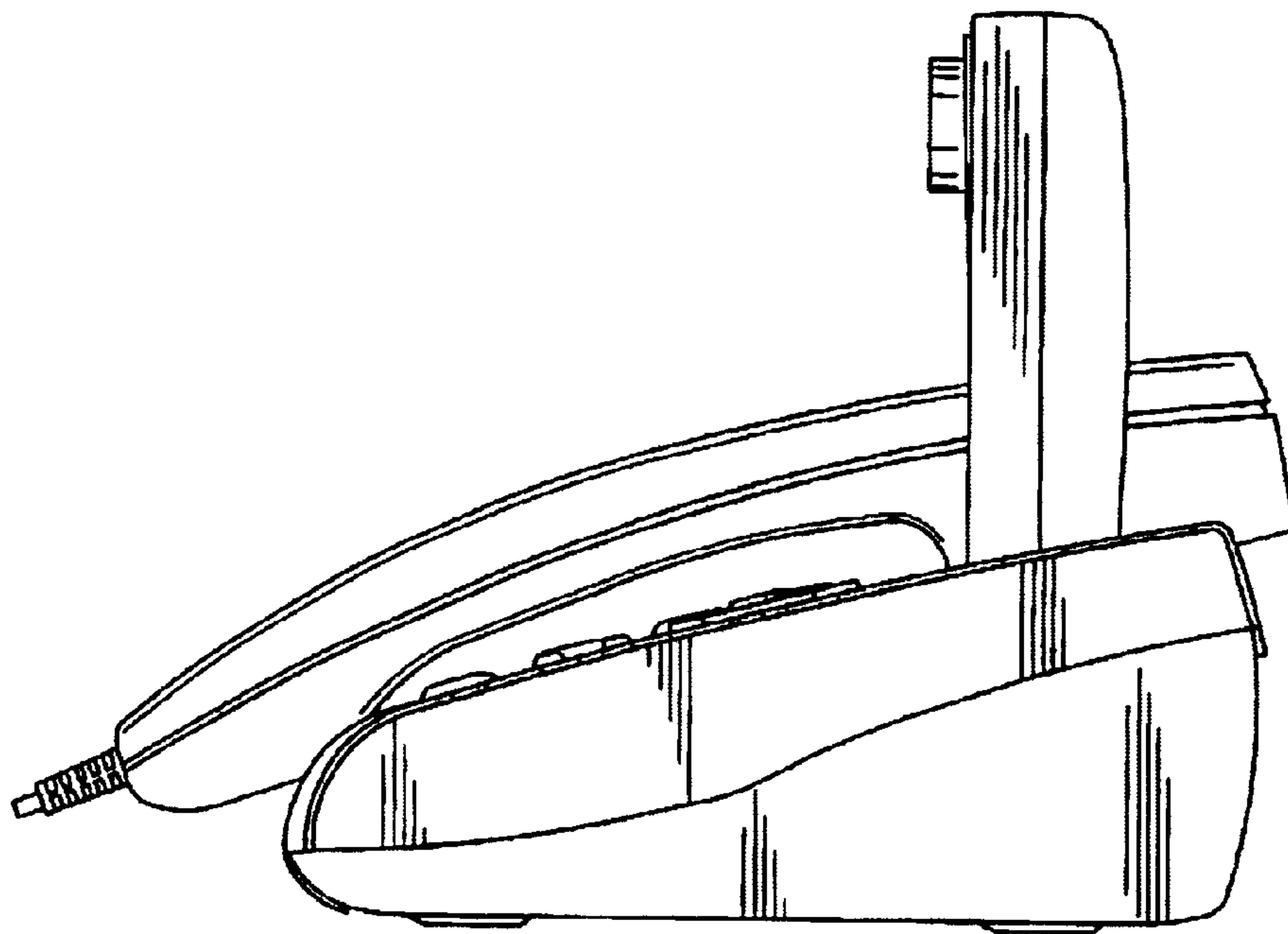


**FIG - 3**

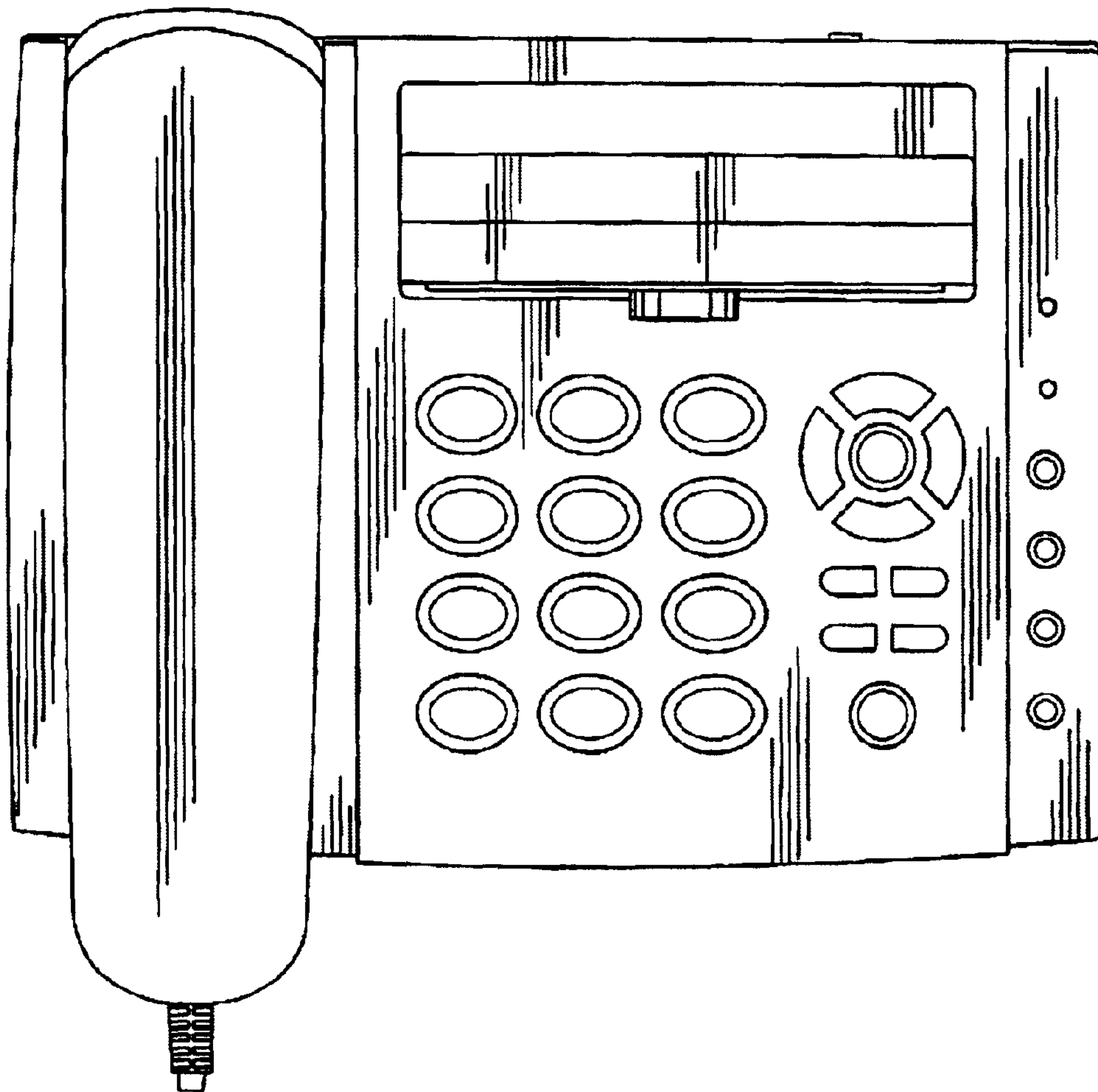


**FIG - 4**

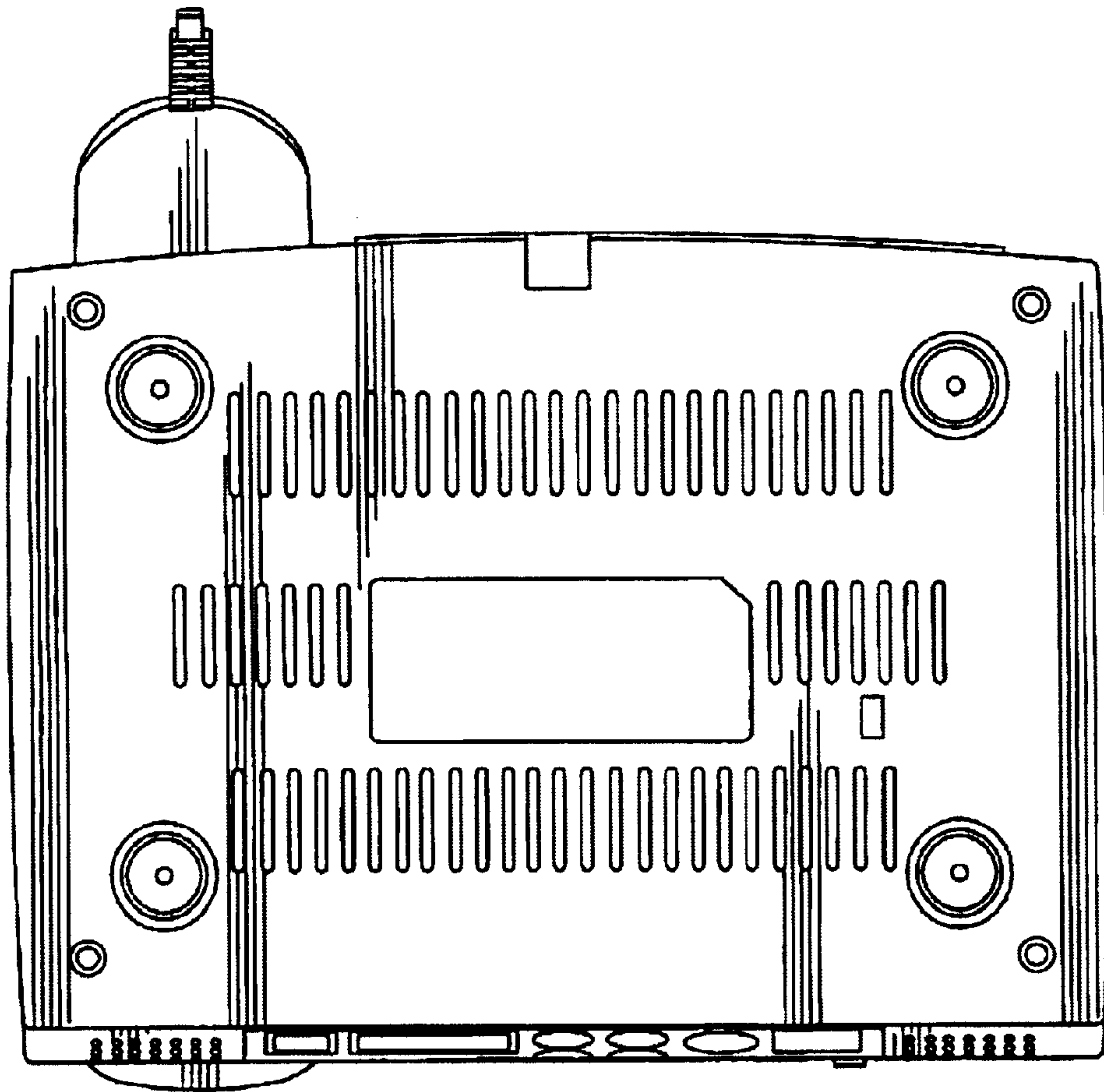




**FIG - 5**



**FIG - 6**



**FIG - 7**