



US00D534508S

(12) **United States Design Patent**  
**Yamada**

(10) **Patent No.:** **US D534,508 S**

(45) **Date of Patent:** **\*\* Jan. 2, 2007**

(54) **MONITOR/TELEVISION RECEIVER**

(75) Inventor: **Yoshinori Yamada**, Tokyo (JP)

(73) Assignee: **Sony Corporation**, Tokyo (JP)

(\*\*) Term: **14 Years**

(21) Appl. No.: **29/218,150**

(22) Filed: **Nov. 30, 2004**

(51) **LOC (8) Cl.** ..... **14-03**

(52) **U.S. Cl.** ..... **D14/126**

(58) **Field of Classification Search** ..... D14/125-135,  
D14/239, 379, 371, 374, 375, 376, 113; D13/151,  
D13/153; 312/7.2; 348/836, 838, 180, 184,  
348/325, 739; 341/12; 248/917-924; 345/104,  
345/133, 156, 168, 87, 173; 349/1, 2, 11,  
349/62

See application file for complete search history.

(56) **References Cited**

**U.S. PATENT DOCUMENTS**

D356,077 S	*	3/1995	Harada et al.	.....	D14/126
D356,078 S	*	3/1995	Usui et al.	.....	D14/126
D356,081 S	*	3/1995	Naito et al.	.....	D14/126
D396,222 S	*	7/1998	Morgan et al.	.....	D14/126
D422,576 S	*	4/2000	Chuo et al.	.....	D14/375
D458,236 S	*	6/2002	Bong et al.	.....	D14/126
D472,552 S	*	4/2003	Borsboom et al.	.....	D14/375
D484,860 S	*	1/2004	Kubota	.....	D14/126

**OTHER PUBLICATIONS**

Web page "KDL0L26RX2" <http://www.ecat.sony.co.jp/visual/tv/products/index.cfm?PD=16391&KDL-L26RX2>, 1 sheet, Sony (Oct. 2004).

Web page "SDM-HS740B, SDM-HS74PS" <http://www.ecat.sony.co.jp/computer/display/products/index.cfm?PD=17556&KM=SDM-HS74...>, 1 sheet, Sony (Oct. 2004).

\* cited by examiner

*Primary Examiner*—Raphael Barkai

*Assistant Examiner*—Randall H. Gholson

(74) *Attorney, Agent, or Firm*—Rader, Fishman & Grauer PLLC

(57) **CLAIM**

The ornamental design for a monitor/television receiver, as shown.

**DESCRIPTION**

FIG. 1 is a perspective view of a monitor/television receiver showing my new design;

FIG. 2 is a front elevational view thereof;

FIG. 3 is a rear elevational view thereof;

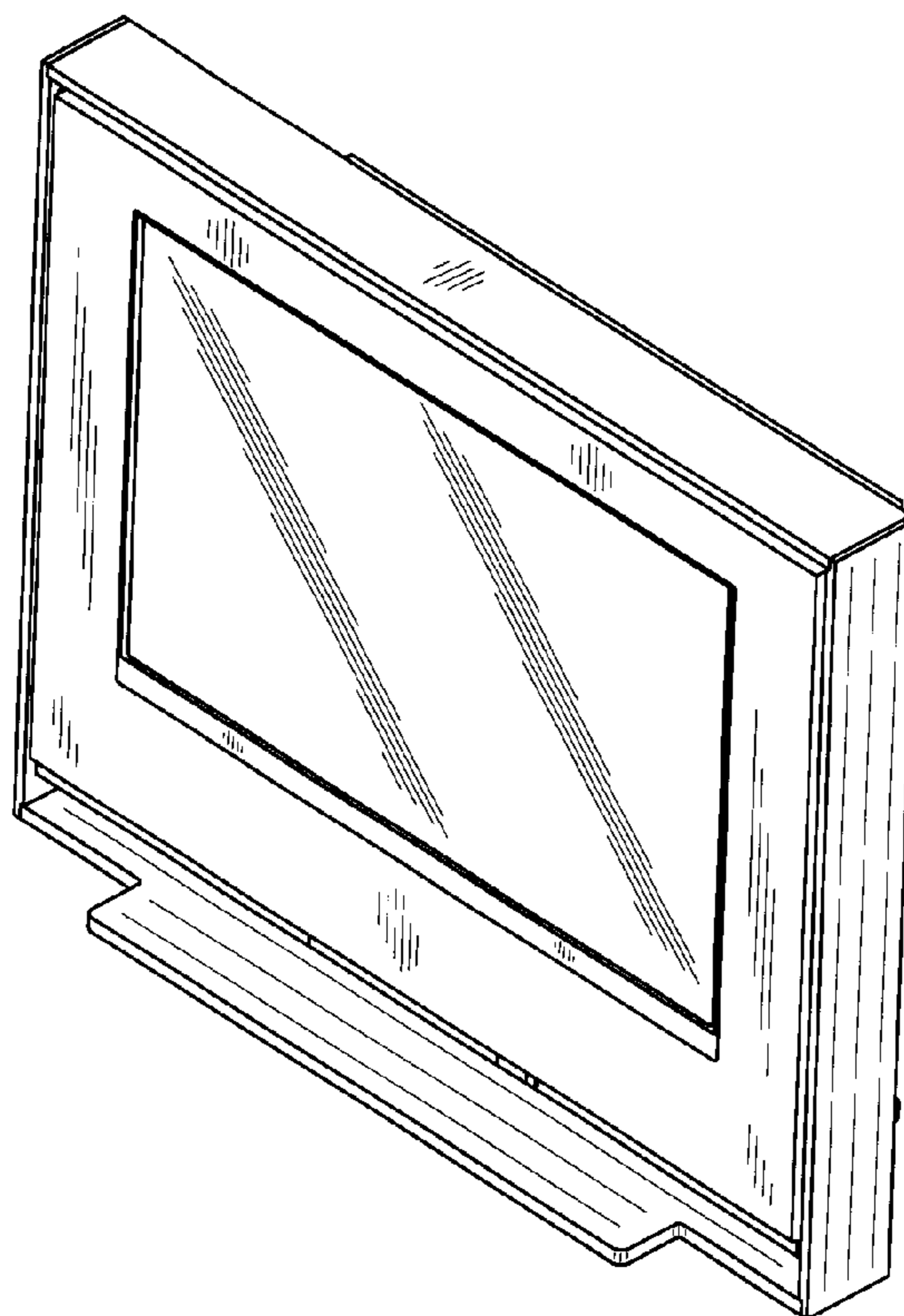
FIG. 4 is a left side elevational view thereof;

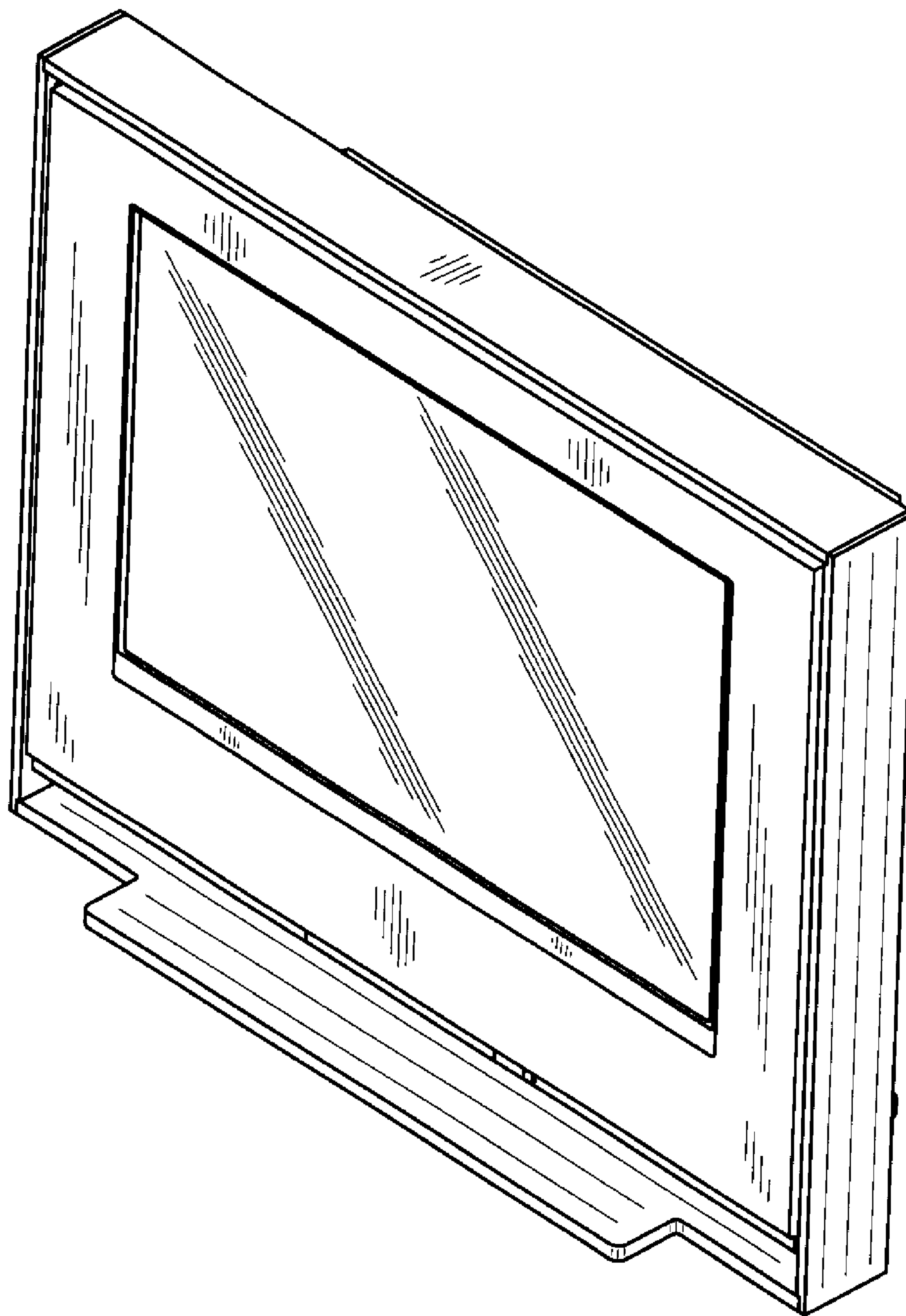
FIG. 5 is a right side elevational view thereof;

FIG. 6 is a top plan view thereof; and,

FIG. 7 is a bottom plan view thereof.

**1 Claim, 5 Drawing Sheets**





*FIG. 1*

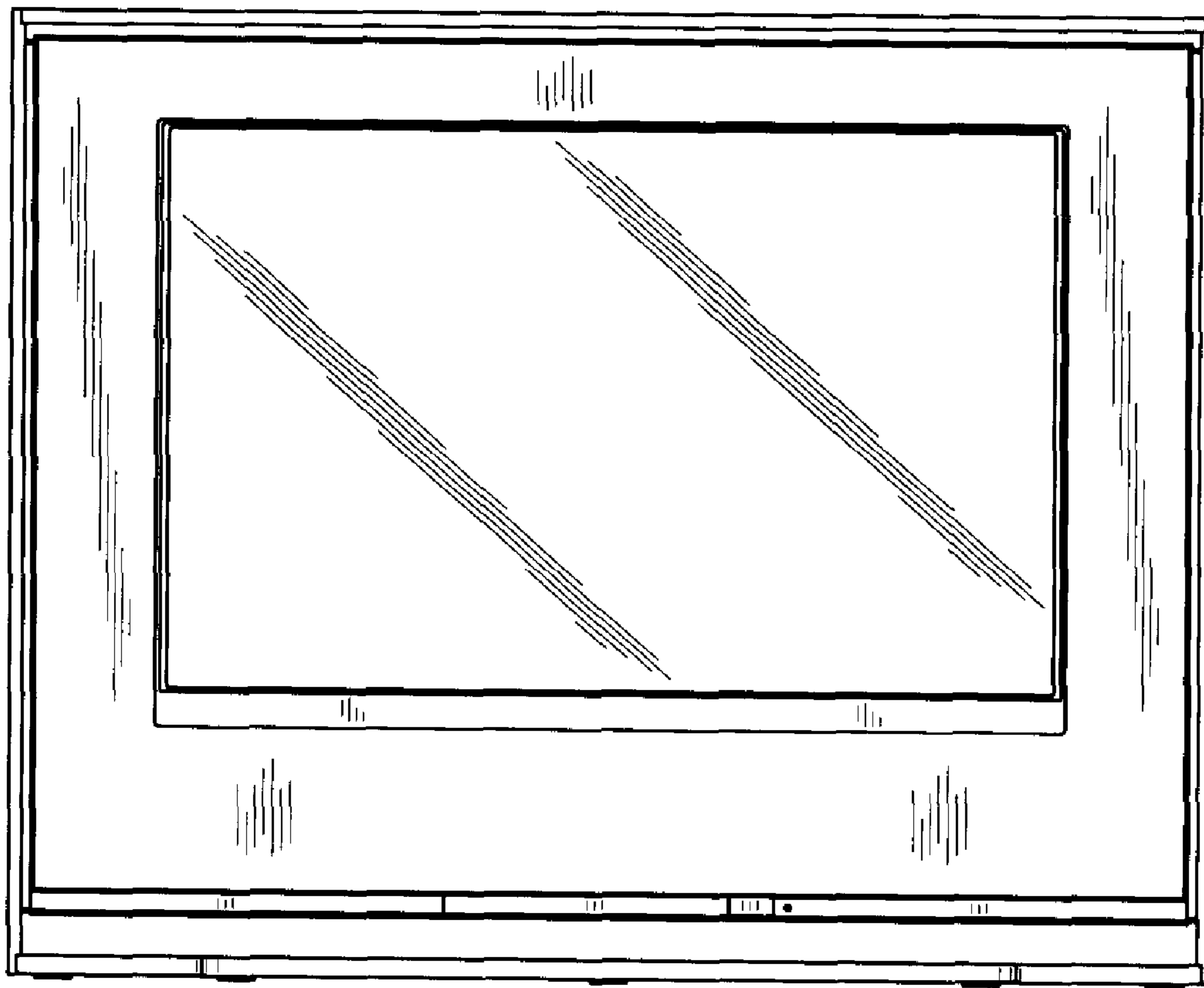


FIG. 2

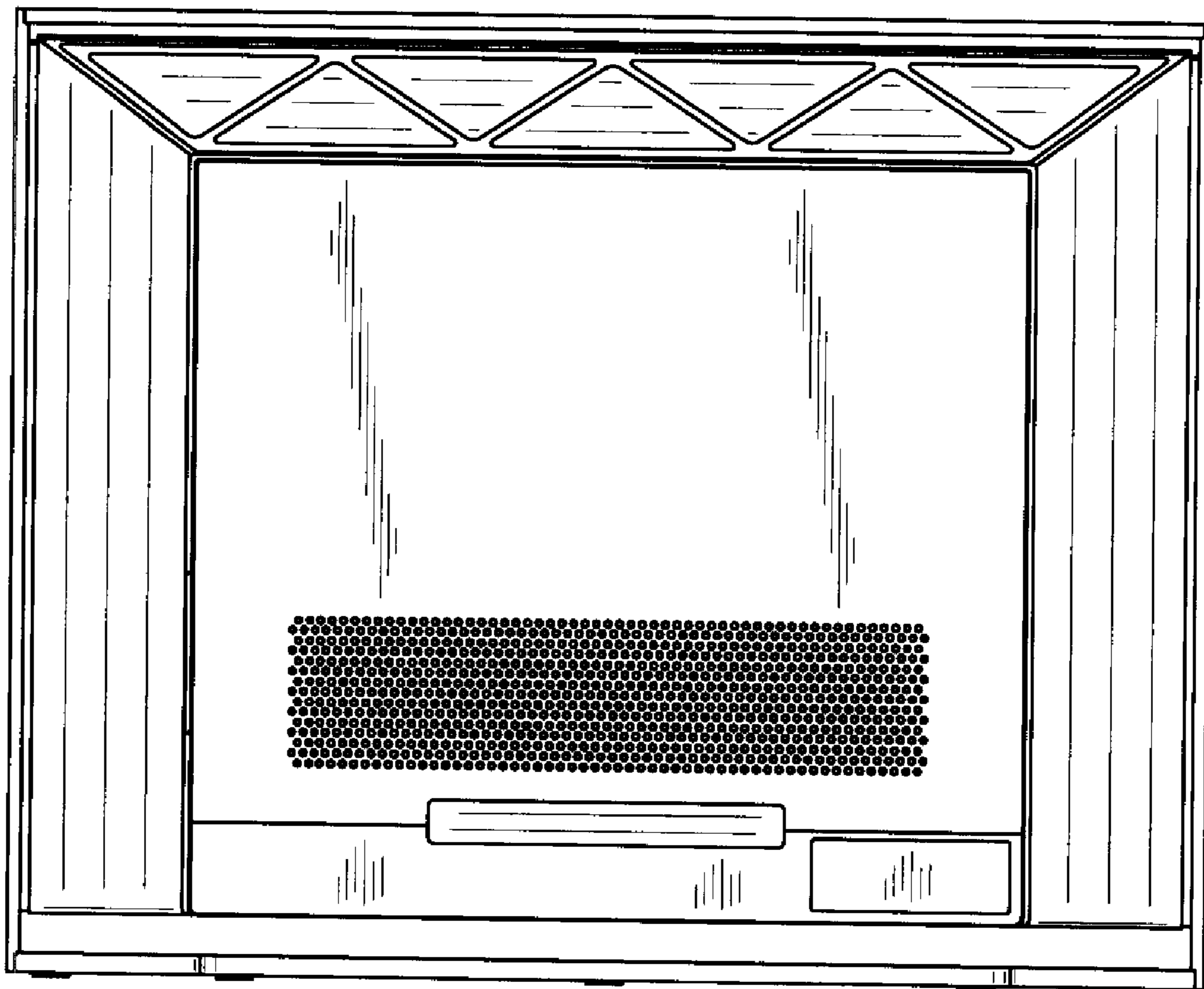


FIG. 3

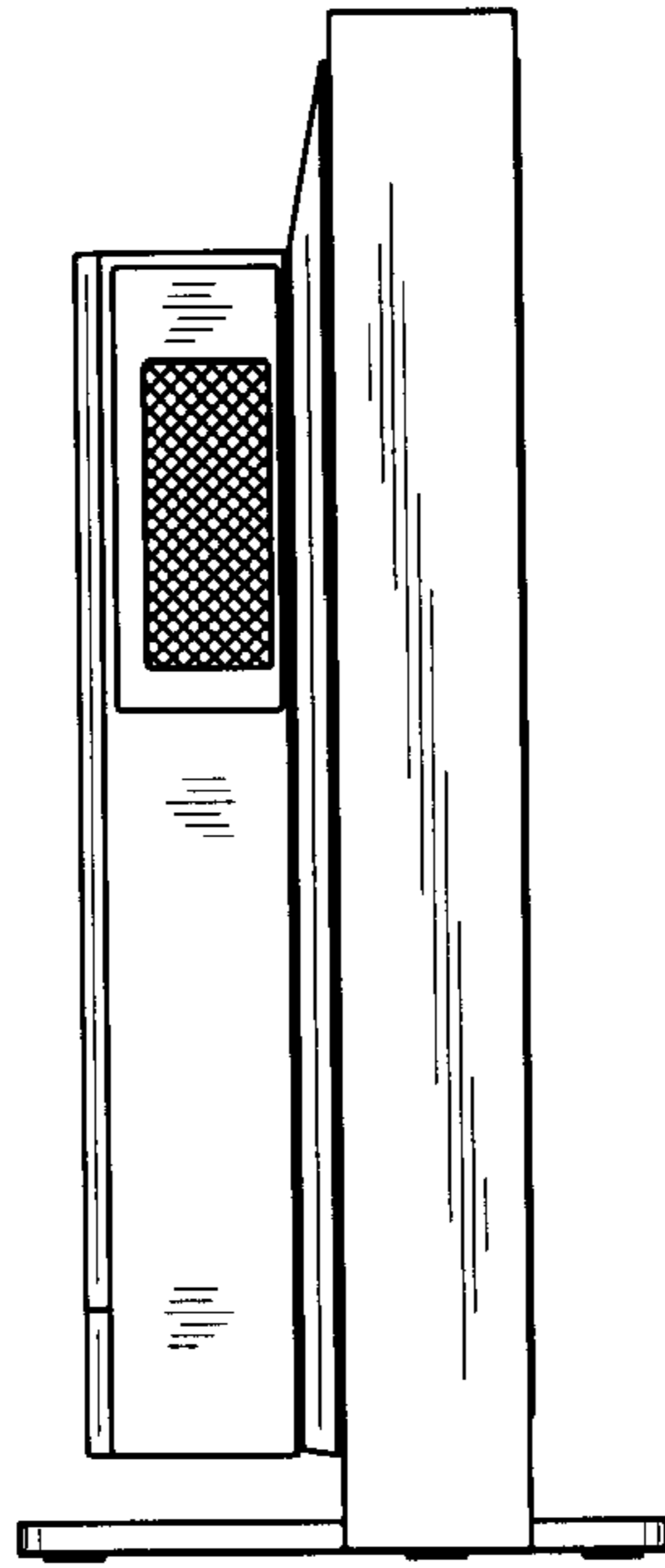


FIG. 4

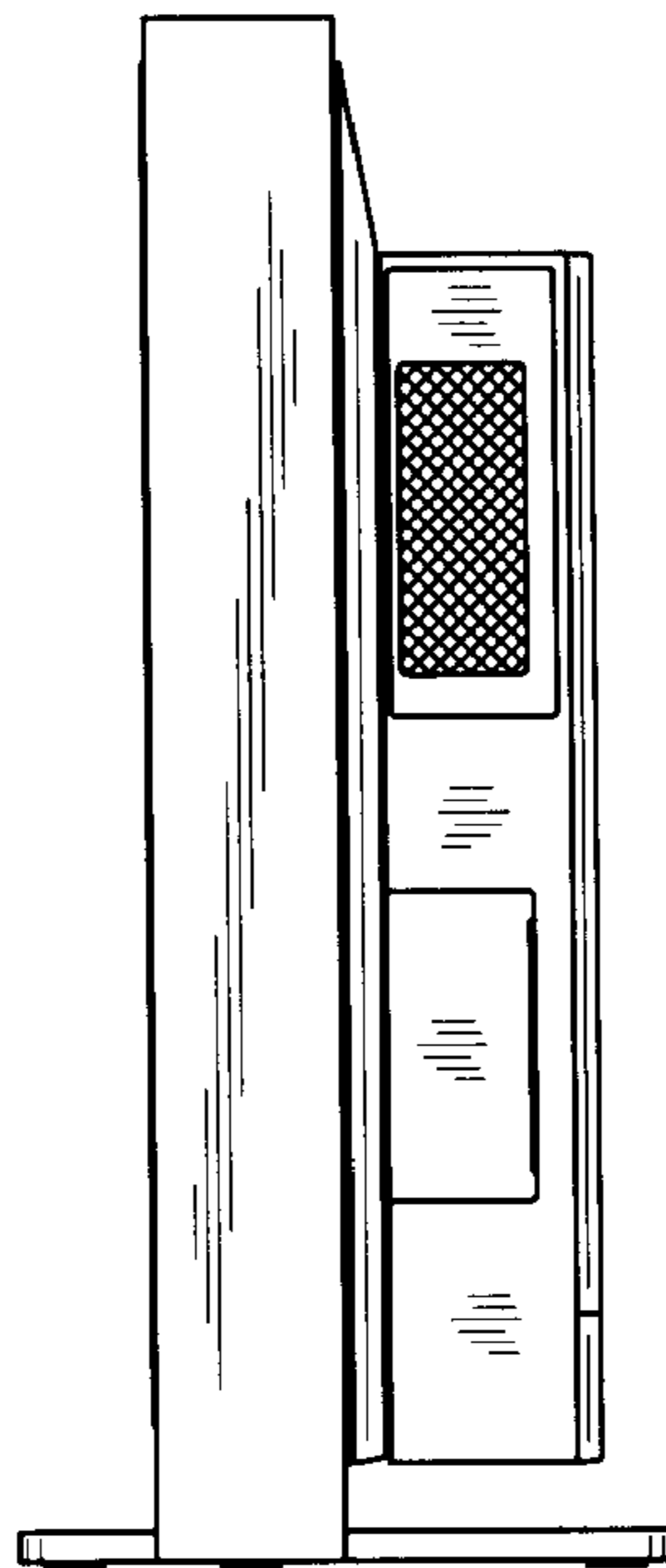


FIG. 5

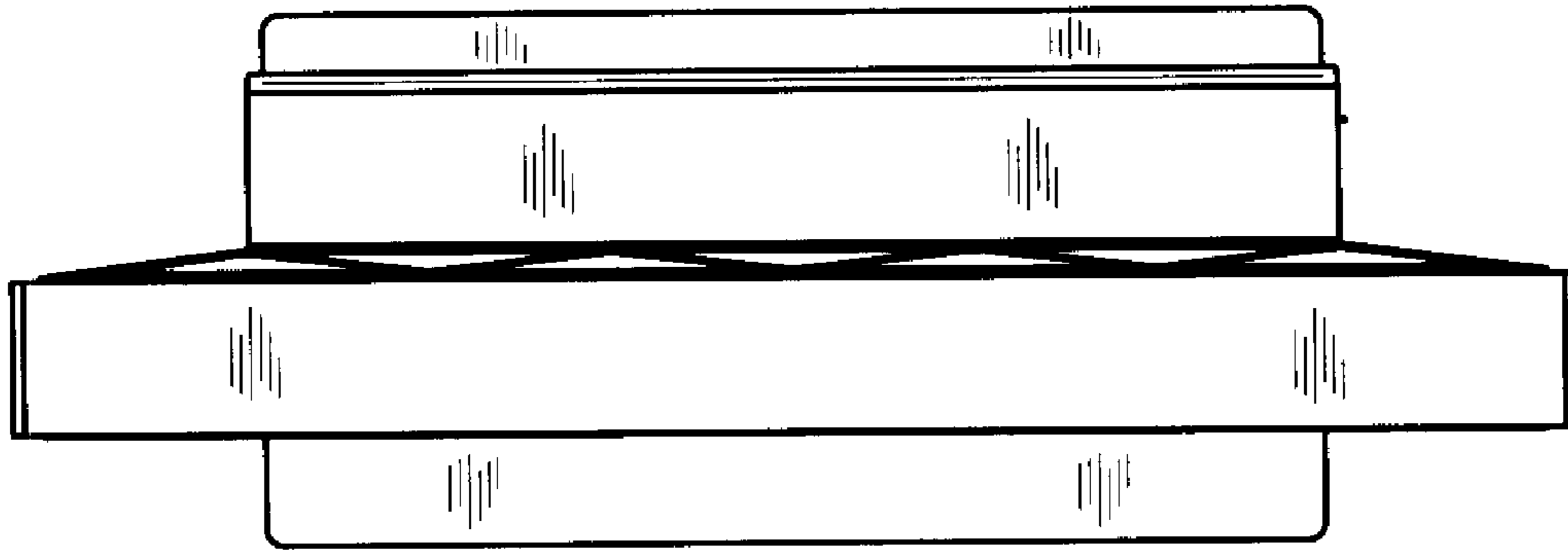


FIG. 6

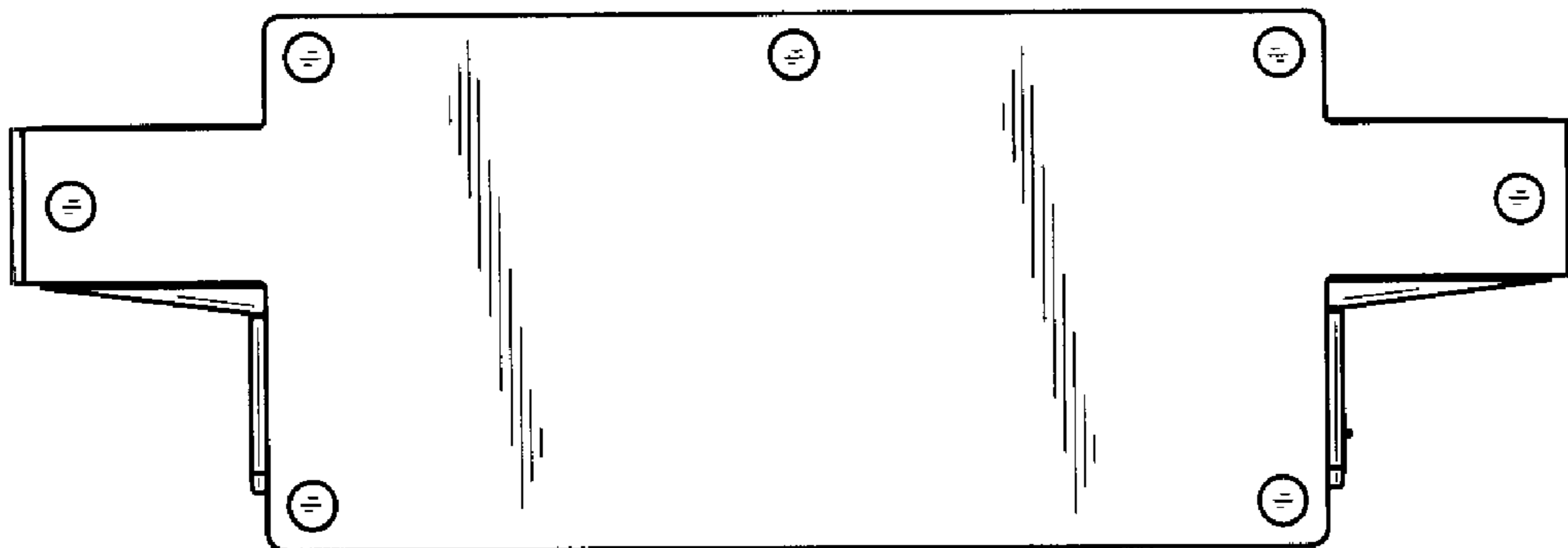


FIG. 7