

US00D534507S

(12) **United States Design Patent**
Tanigawa et al.

(10) **Patent No.:** **US D534,507 S**

(45) **Date of Patent:** **** Jan. 2, 2007**

(54) **TELEVISION TUNER**

(75) Inventors: **Satoshi Tanigawa**, Ibaraki (JP); **Toru Ito**, Settsu (JP); **Takako Uchida**, Osaka (JP); **Koji Mochizuki**, Yawata (JP)

(73) Assignee: **Matsushita Electric Industrial Co., Ltd.**, Osaka (JP)

(**) **Term:** **14 Years**

(21) **Appl. No.:** **29/223,857**

(22) **Filed:** **Feb. 18, 2005**

(30) **Foreign Application Priority Data**

Aug. 27, 2004 (JP) 2004-025728

(51) **LOC (8) Cl.** **14-03**

(52) **U.S. Cl.** **D14/125**

(58) **Field of Classification Search** D14/125-134, D14/239, 371, 374-376, 135, 136, 492, 299, D14/356, 361-363, 365, 496; 312/7.2, 208.1-223.2; 348/836, 838, 180, 184, 325, 739, 10, 460; 341/12; 248/917-924; 345/104, 133, 156, 345/168, 87; 361/690-696
See application file for complete search history.

(56) **References Cited**

U.S. PATENT DOCUMENTS

- D301,476 S * 6/1989 Scianna et al. D14/188
- D307,910 S * 5/1990 Tominaga et al. D14/299
- D313,230 S * 12/1990 Isaacs D14/125
- D344,507 S * 2/1994 Ryu D14/135
- D345,970 S * 4/1994 Kawamoto D14/125

- D347,631 S * 6/1994 Terleski D14/125
- D348,064 S * 6/1994 Saito et al. D14/193
- D438,183 S * 2/2001 Sato et al. D14/136
- D459,321 S * 6/2002 Kojima et al. D14/136
- D469,066 S 1/2003 Takahashi
- D475,036 S * 5/2003 Tejima D14/168
- D481,021 S * 10/2003 Hayashi et al. D14/125
- D483,728 S * 12/2003 Kim D14/136

FOREIGN PATENT DOCUMENTS

- JP D1098442 1/2001
- JP D1134403 2/2002

* cited by examiner

Primary Examiner—Raphael Barkai
Assistant Examiner—Randall H. Gholson

(74) *Attorney, Agent, or Firm*—Brinks Hofer Gilson & Lione

(57) **CLAIM**

We claim the ornamental design for a television tuner, as shown and described.

DESCRIPTION

FIG. 1 is a top perspective view of a television tuner of the present invention;
FIG. 2 is a front view thereof;
FIG. 3 is a first side view thereof;
FIG. 4 is a second side view thereof;
FIG. 5 is a top view thereof;
FIG. 6 is a bottom view thereof; and,
FIG. 7 is a rear view thereof.

1 Claim, 3 Drawing Sheets

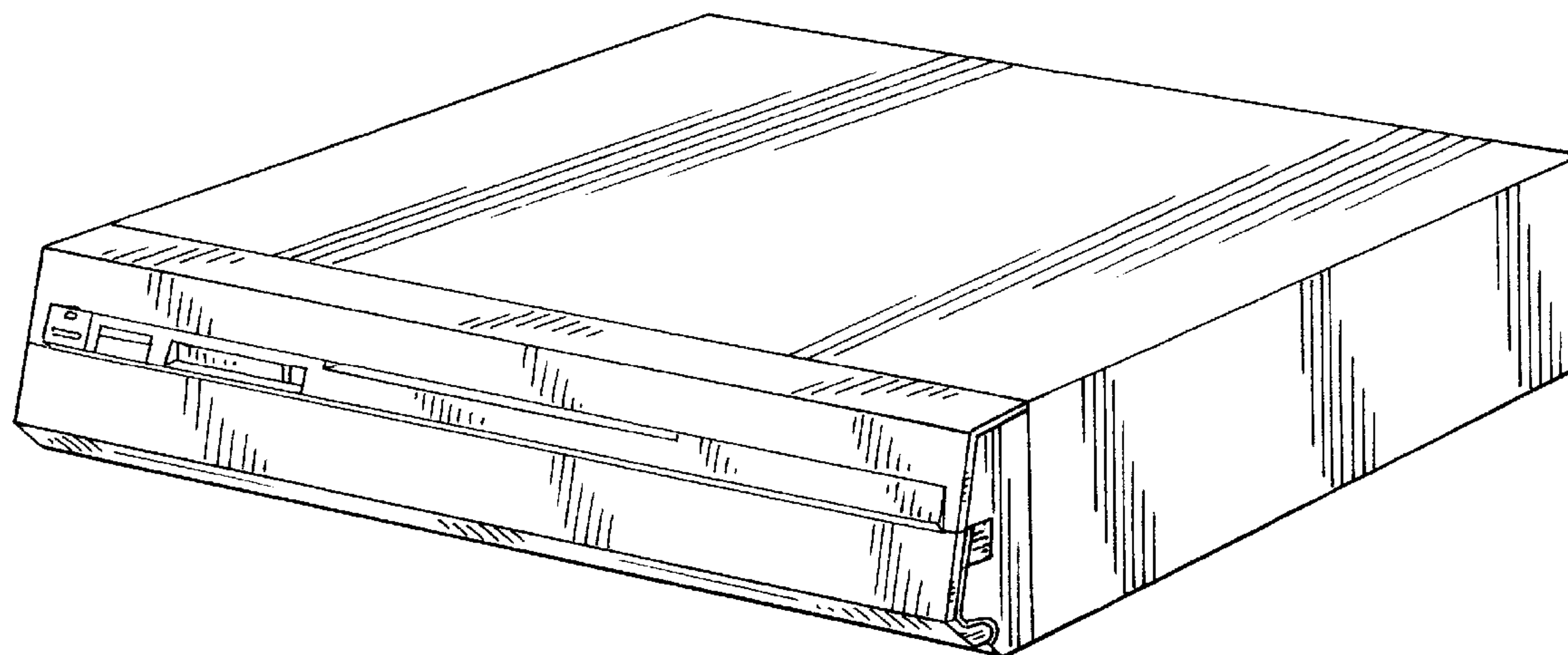


FIG.1

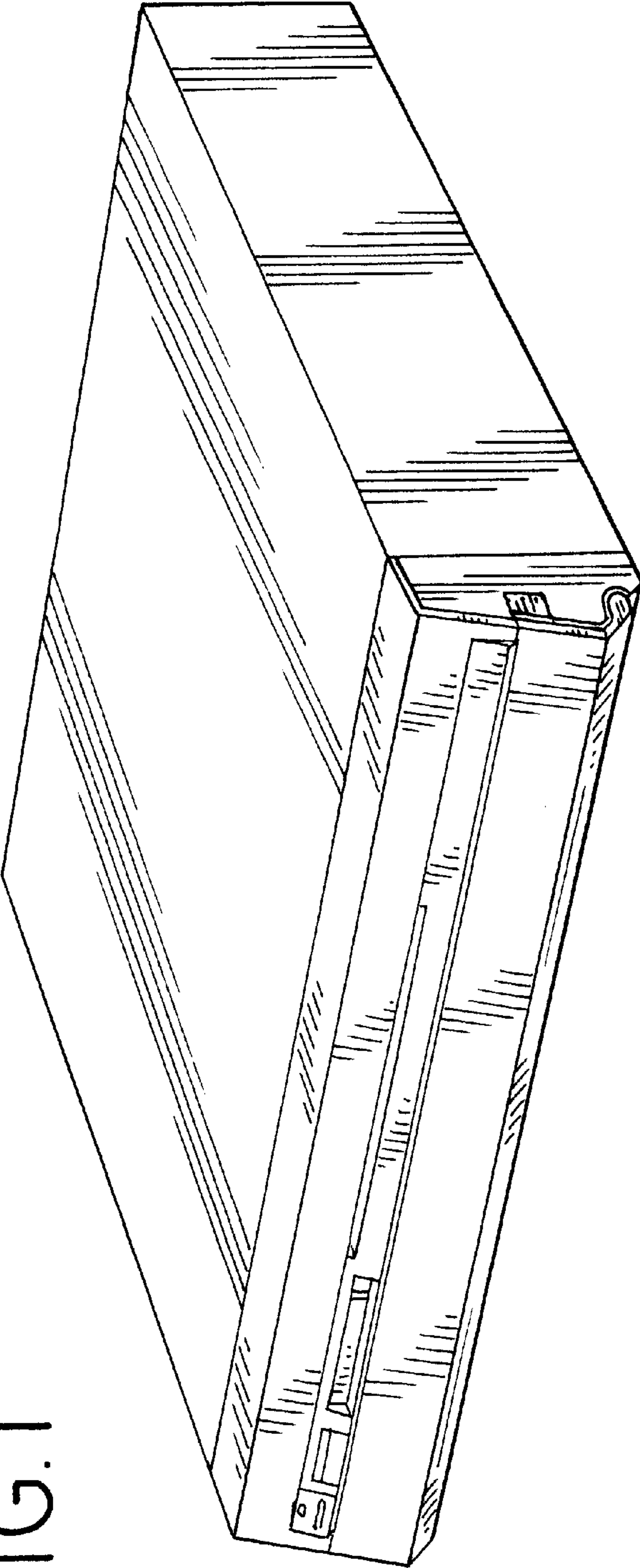


FIG.2

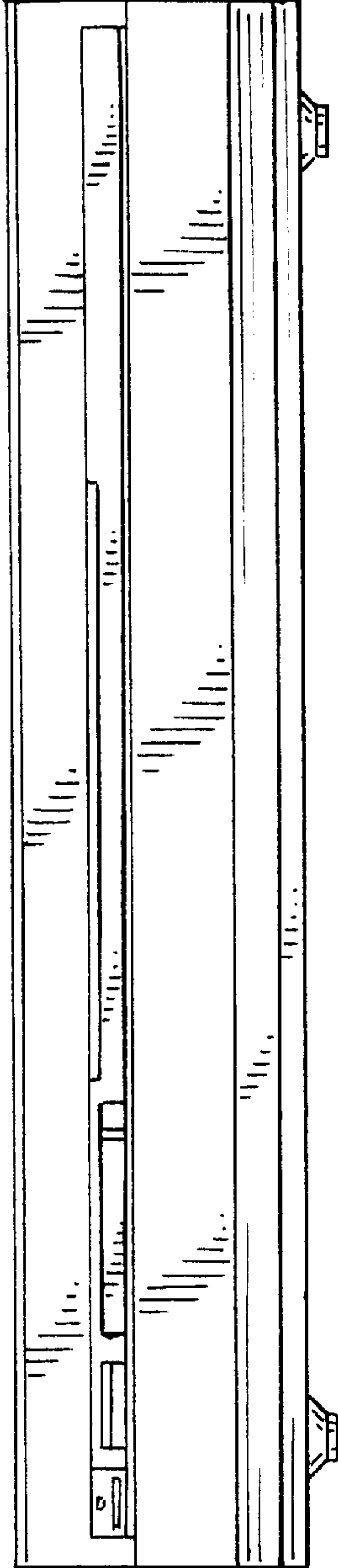


FIG. 3

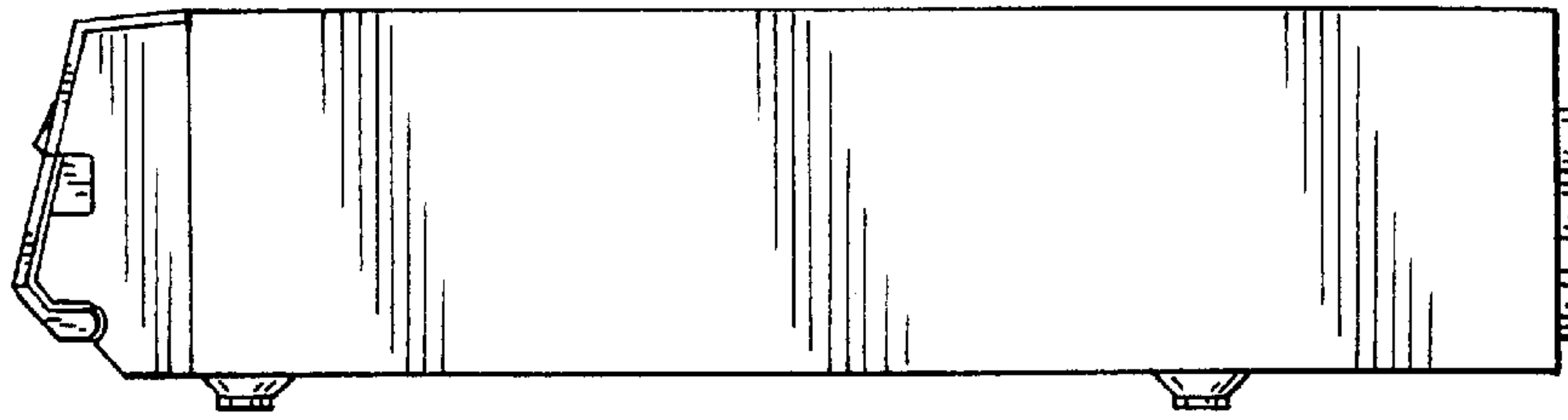


FIG. 4

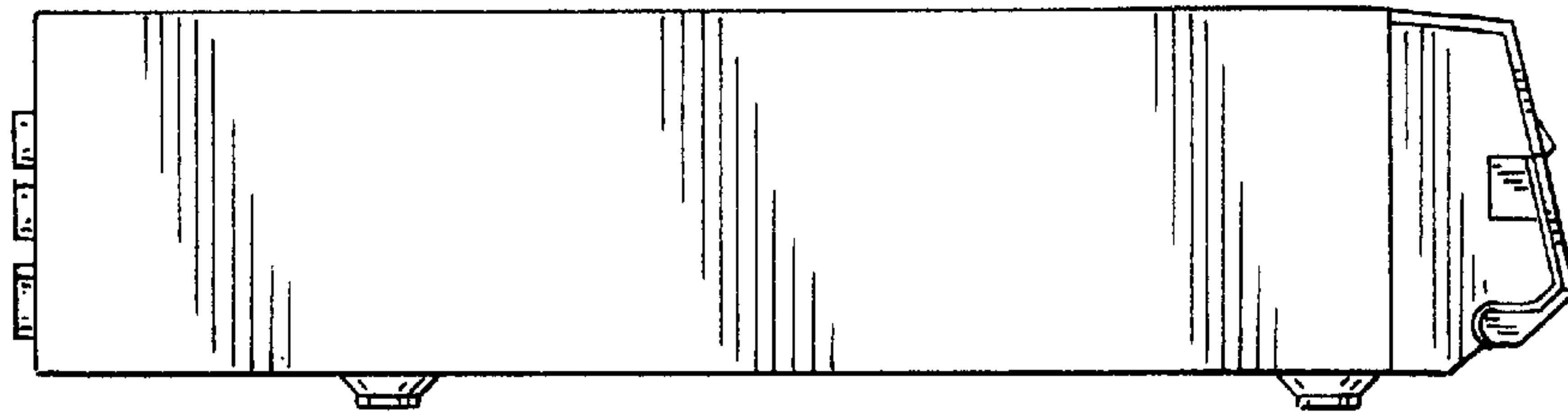


FIG. 5

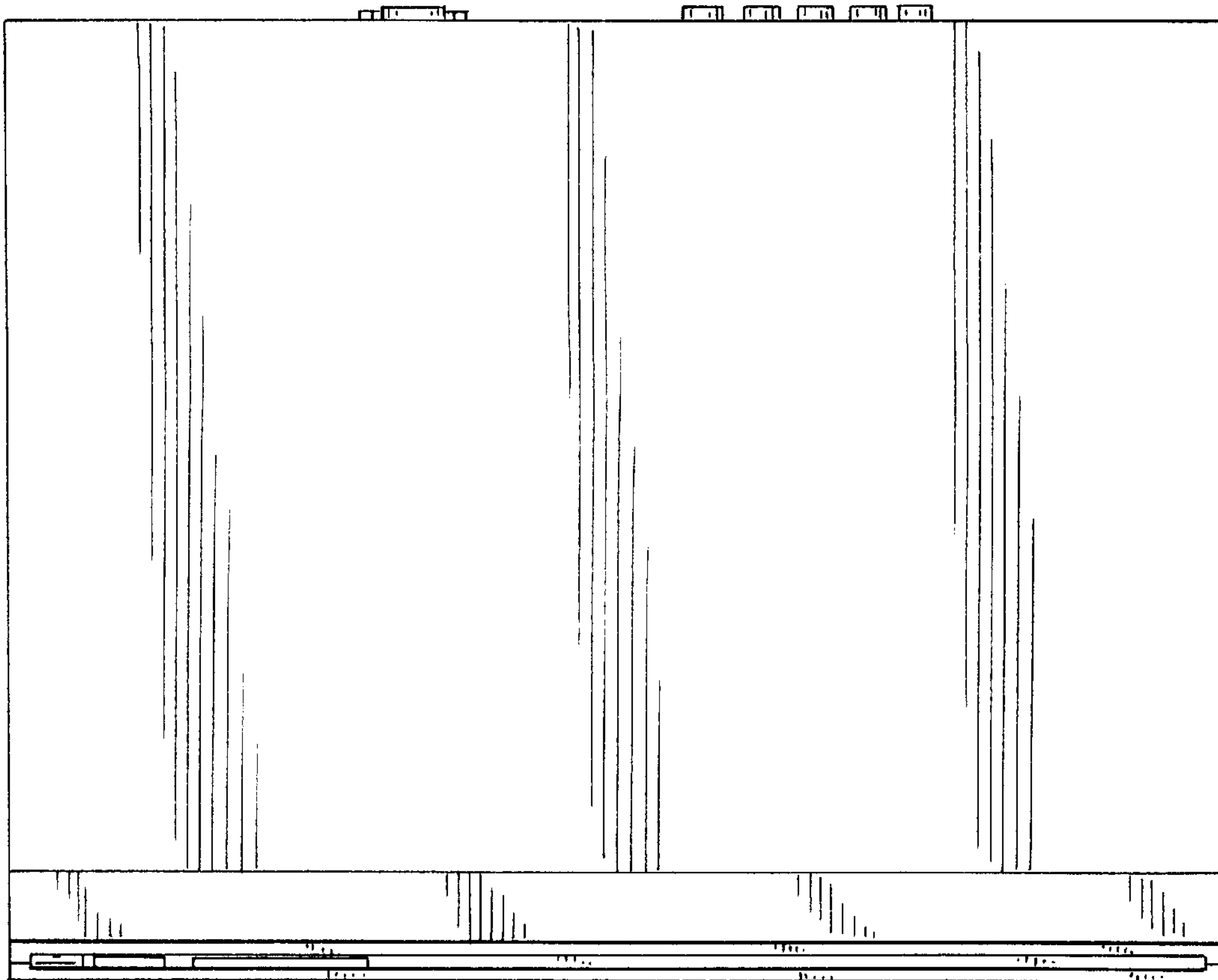


FIG. 6

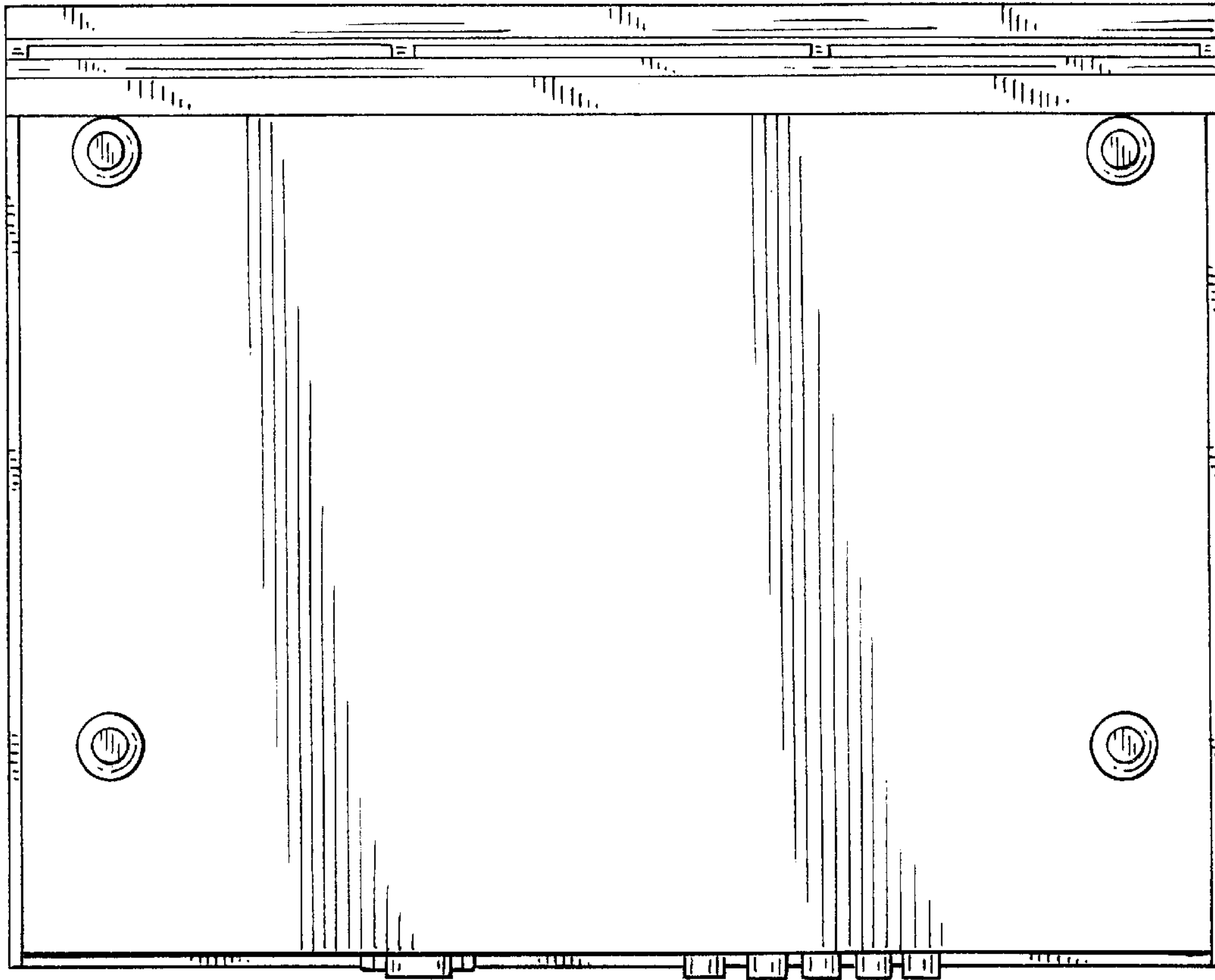


FIG. 7

