



US00D534505S

(12) **United States Design Patent**
Kamada

(10) **Patent No.:** **US D534,505 S**
(45) **Date of Patent:** **** Jan. 2, 2007**

- (54) **LIGHT EMITTING DIODE**
- (75) Inventor: **Kazuhiro Kamada**, Tokushima-ken (JP)
- (73) Assignee: **Nichia Corporation**, Anan (JP)
- (**) Term: **14 Years**
- (21) Appl. No.: **29/254,314**
- (22) Filed: **Feb. 23, 2006**

4,127,792 A 11/1978 Nakata
 5,226,053 A 7/1993 Cho et al.
 5,534,718 A 7/1996 Chang
 RE36,614 E 3/2000 Lumbard et al.

(Continued)

FOREIGN PATENT DOCUMENTS

JP D1095890 S 1/2001
 JP D1095891 S 1/2001
 JP D1106536 S 4/2001
 JP D1106839 S 4/2001
 JP D1106840 S 4/2001

Related U.S. Application Data

- (62) Division of application No. 29/236,523, filed on Aug. 18, 2005, now Pat. No. Des. 519,943, which is a division of application No. 29/218,477, filed on Dec. 3, 2004, now Pat. No. Des. 516,527, which is a division of application No. 29/186,594, filed on Jul. 21, 2003, now Pat. No. Des. 499,384, which is a division of application No. 29/163,058, filed on Jun. 27, 2002, now Pat. No. Des. 482,337.

(30) **Foreign Application Priority Data**

Dec. 28, 2001 (JP) 2001-038909
 Dec. 28, 2001 (JP) 2001-038910
 Dec. 28, 2001 (JP) 2001-038911
 Dec. 28, 2001 (JP) 2001-038912
 Dec. 28, 2001 (JP) 2001-038913
 Dec. 28, 2001 (JP) 2001-038914
 Dec. 28, 2001 (JP) 2001-038915
 Dec. 28, 2001 (JP) 2001-038916
 Dec. 28, 2001 (JP) 2001-038917
 Dec. 28, 2001 (JP) 2001-038918

- (51) **LOC (8) Cl.** **13-03**
- (52) **U.S. Cl.** **D13/180**
- (58) **Field of Classification Search** D13/180;
 D26/2; 257/79, 80, 81, 82, 88, 89, 95, 98,
 257/99, 100, 678, 680, 433, 434, 666; 313/483,
 313/498, 500; 361/820; 362/235, 249, 555,
 362/800; 372/45.01
 See application file for complete search history.

(56) **References Cited**

U.S. PATENT DOCUMENTS

3,783,353 A 1/1974 Pankove

1 Claim, 4 Drawing Sheets

OTHER PUBLICATIONS

Surface Mount Type LED—Light Emitting Diode—, Product Guide, May 2001, 6 pages, Cat. No. 01055K, Nichia Corporation, Japan.

Primary Examiner—Selina Sikder

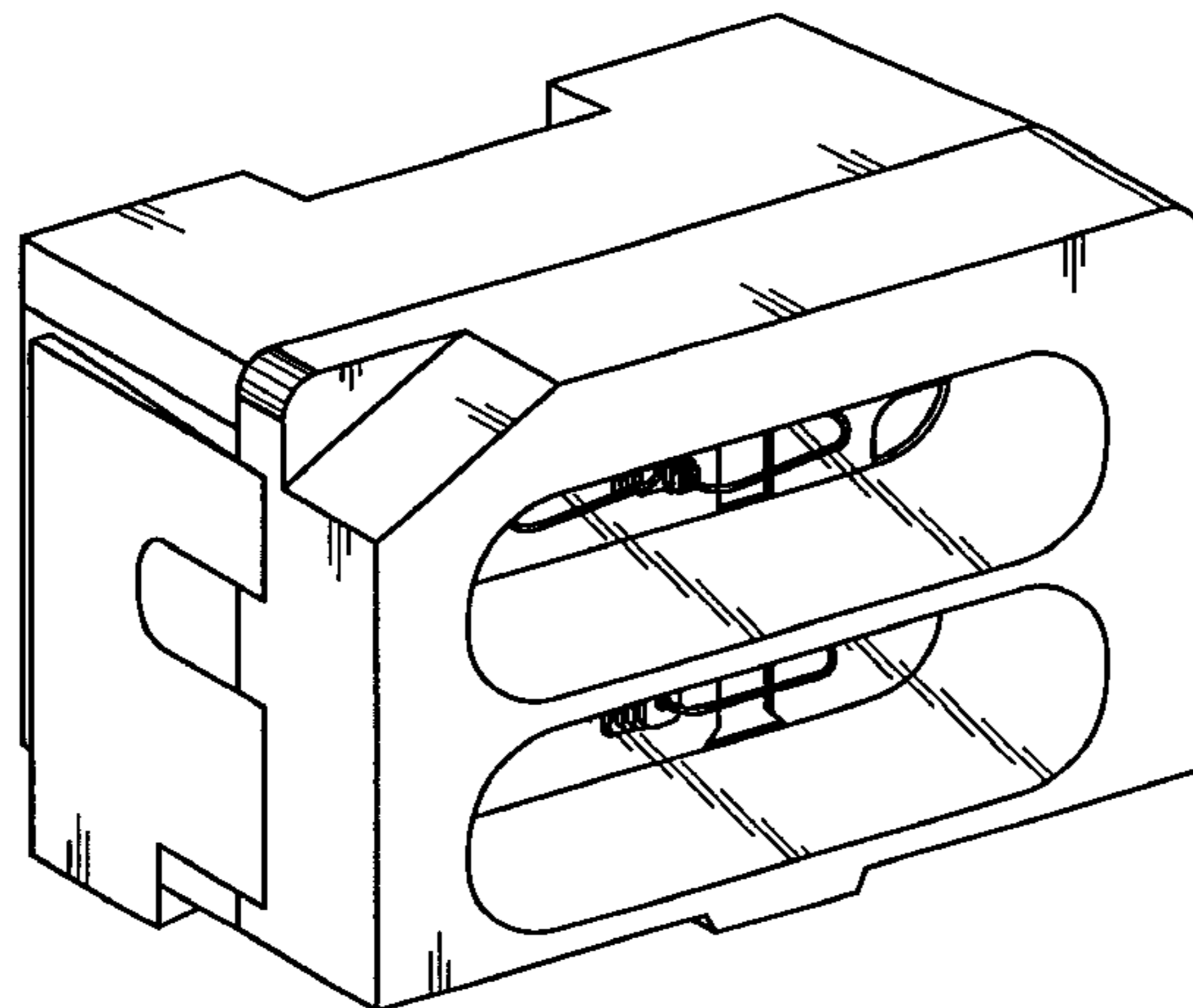
(74) *Attorney, Agent, or Firm*—Smith Patent Office

(57) **CLAIM**

I claim the ornamental design for the light emitting diode, as shown and described.

DESCRIPTION

FIG. 1 is a perspective view of a light emitting diode showing my new design;
 FIG. 2 is a top plan view thereof;
 FIG. 3 is a left side elevation view thereof;
 FIG. 4 is a front elevation view thereof;
 FIG. 5 is a right side elevation view thereof;
 FIG. 6 is a bottom plan view thereof; and
 FIG. 7 is a rear elevation view thereof.
 FIG. 8 is a perspective view of a light emitting diode according to another embodiment of my new design;
 FIG. 9 is a top plan view thereof;
 FIG. 10 is a left side elevation view thereof;
 FIG. 11 is a front elevation view thereof;
 FIG. 12 is a right side elevation view thereof;
 FIG. 13 is a bottom plan view thereof; and,
 FIG. 14 is a rear elevation view thereof.



US D534,505 S

Page 2

U.S. PATENT DOCUMENTS

D432,095 S	10/2000	Seeger et al.	6,610,563 B1	8/2003	Waitl et al.
6,174,070 B1	1/2001	Takamura et al.	D482,337 S	11/2003	Kamada
D437,798 S	2/2001	Kiba et al.	D490,782 S	6/2004	Suenaga
D439,351 S	3/2001	Kiba et al.	6,747,293 B1 *	6/2004	Nitta et al. 257/99
D453,745 S *	2/2002	Suenaga D13/180	D499,384 S *	12/2004	Kamada D13/180
6,386,733 B1	5/2002	Ohkohdo et al.	D511,147 S *	11/2005	Suenaga D13/180
6,450,663 B1	9/2002	Reinbach	D516,527 S *	3/2006	Kamada D13/180
D477,579 S	7/2003	Suenaga	D519,943 S *	5/2006	Kamada D13/180

* cited by examiner

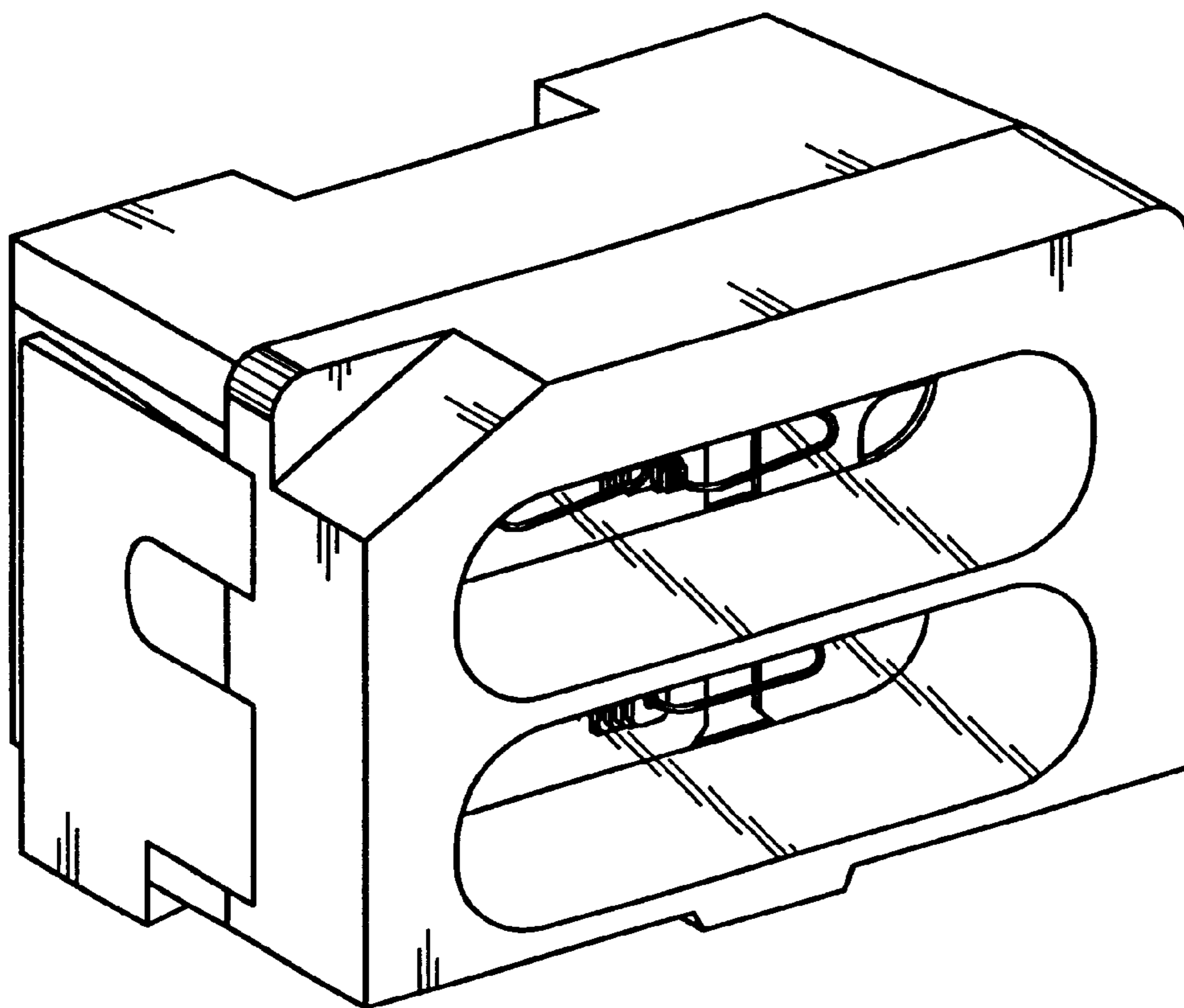


FIG. 1

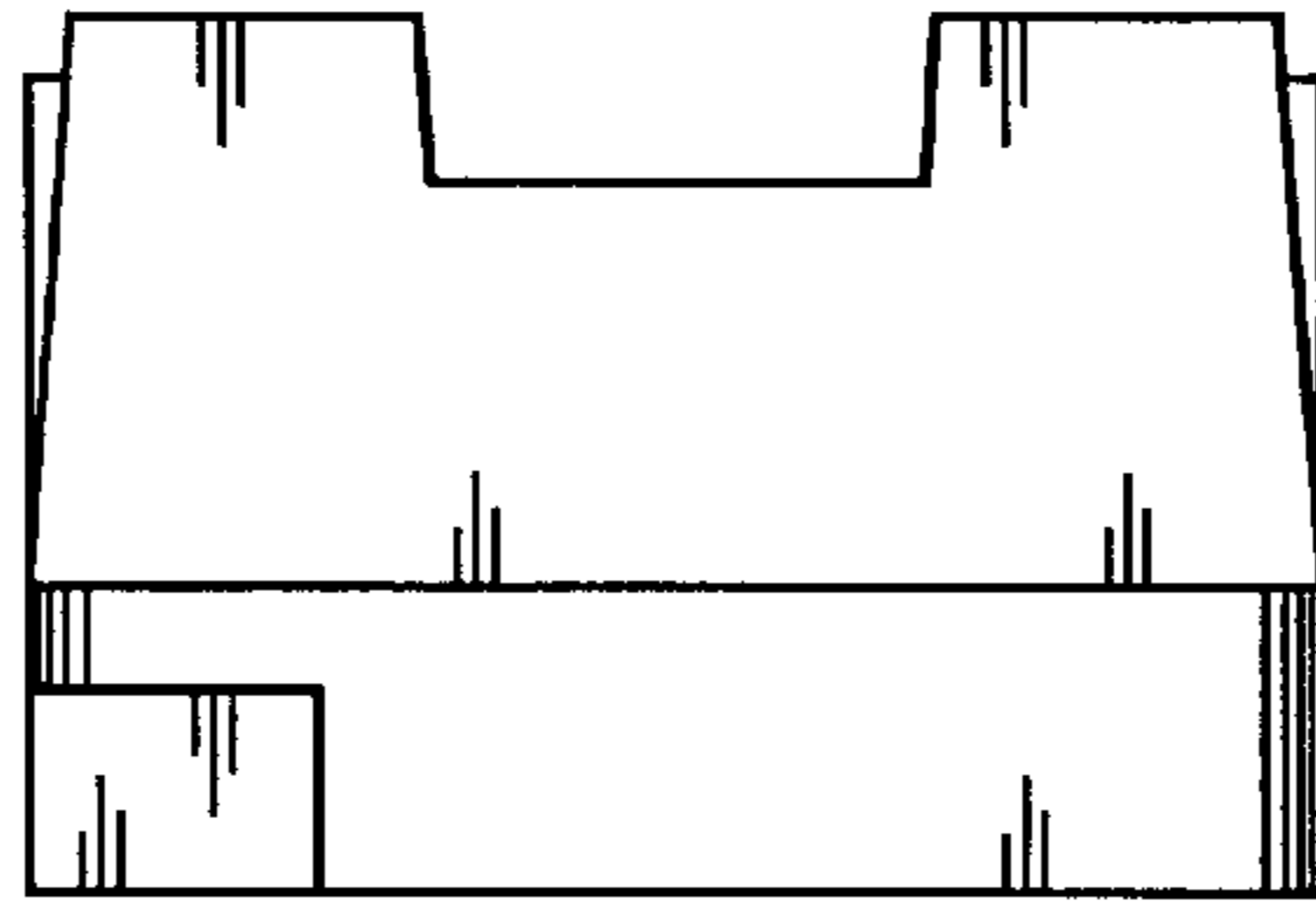


FIG. 2

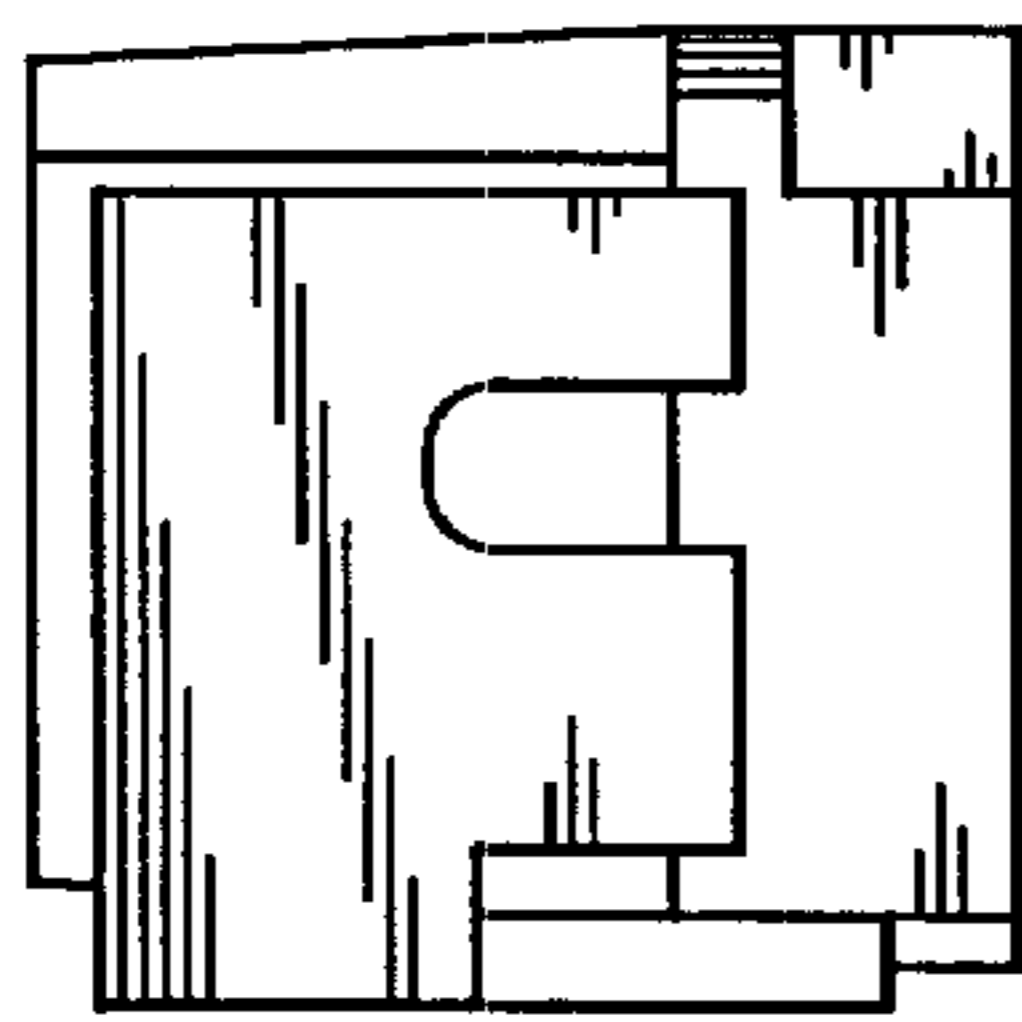


FIG. 3

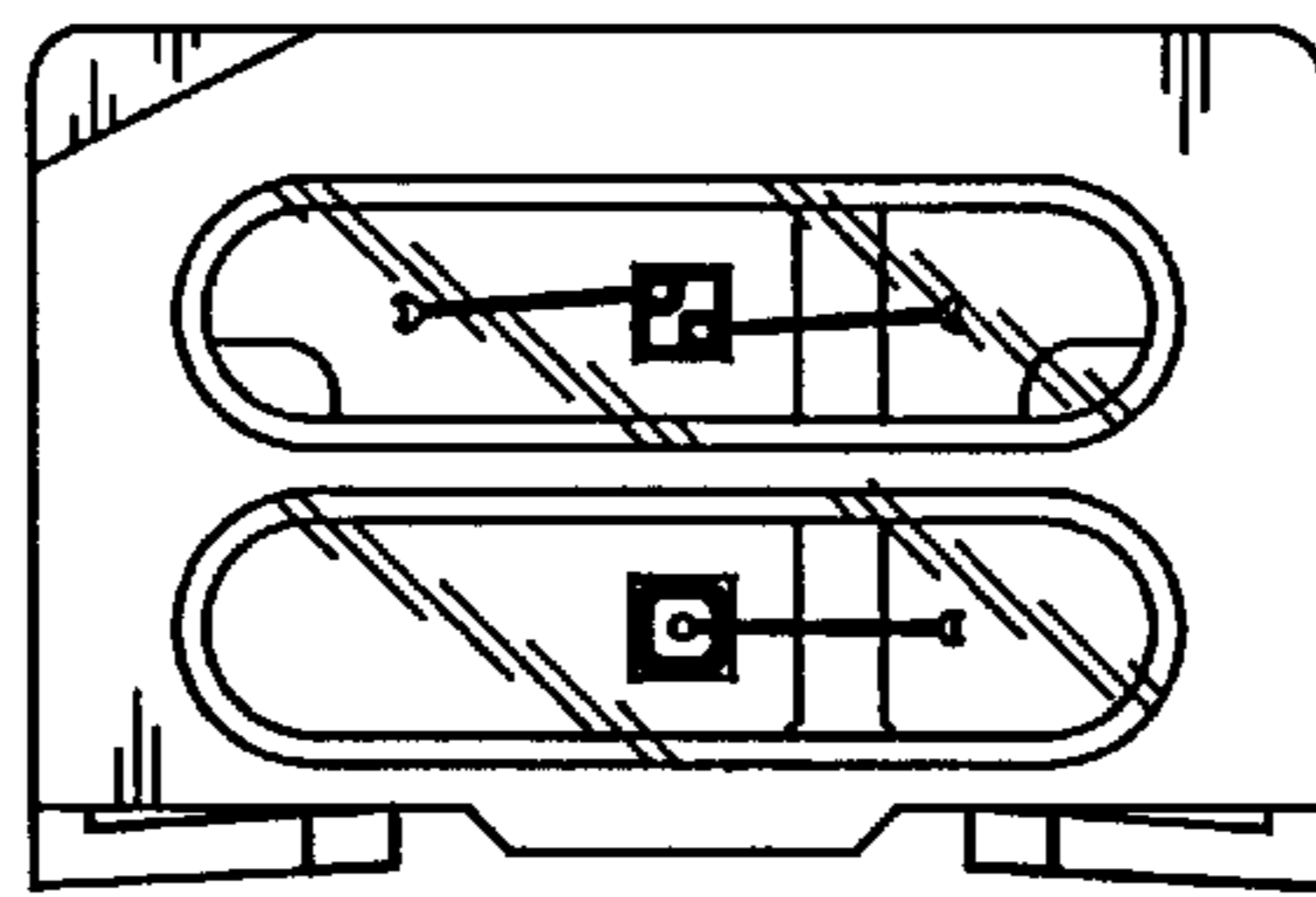


FIG. 4

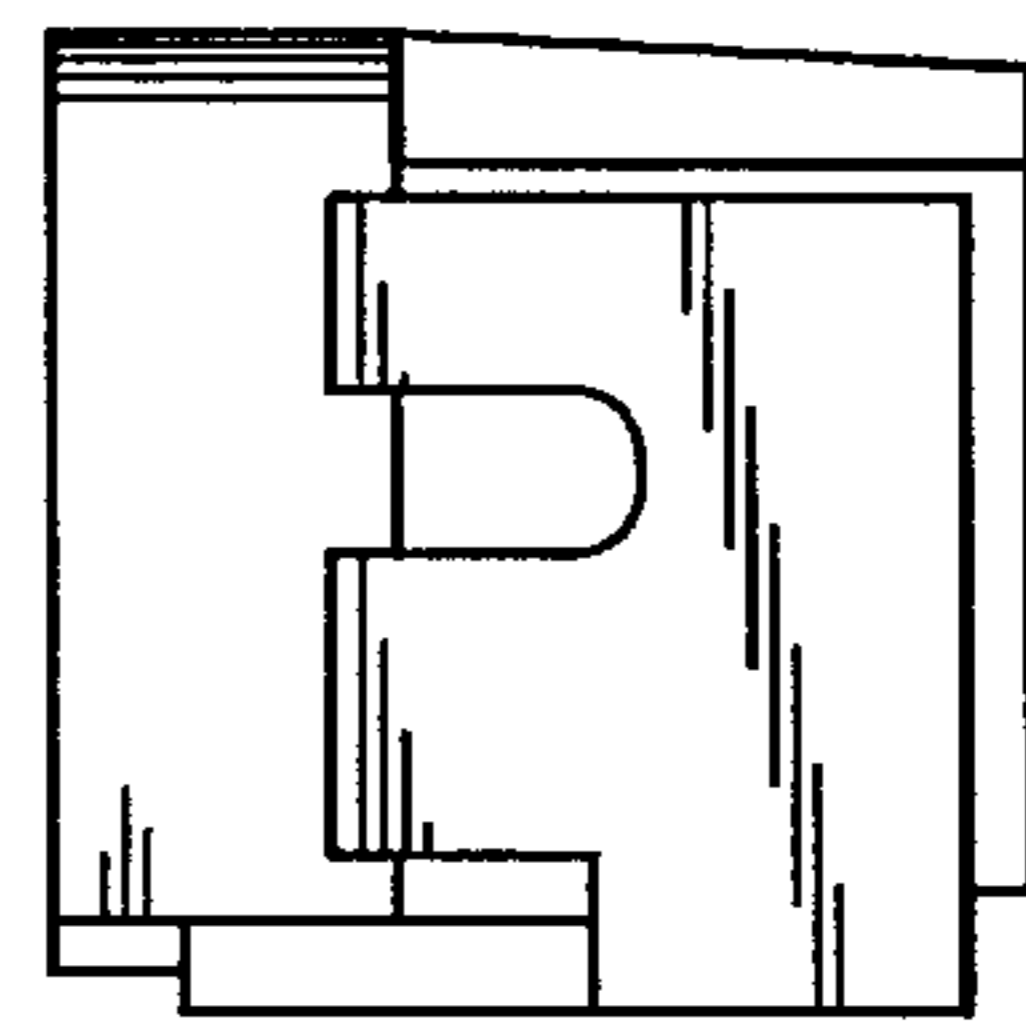


FIG. 5

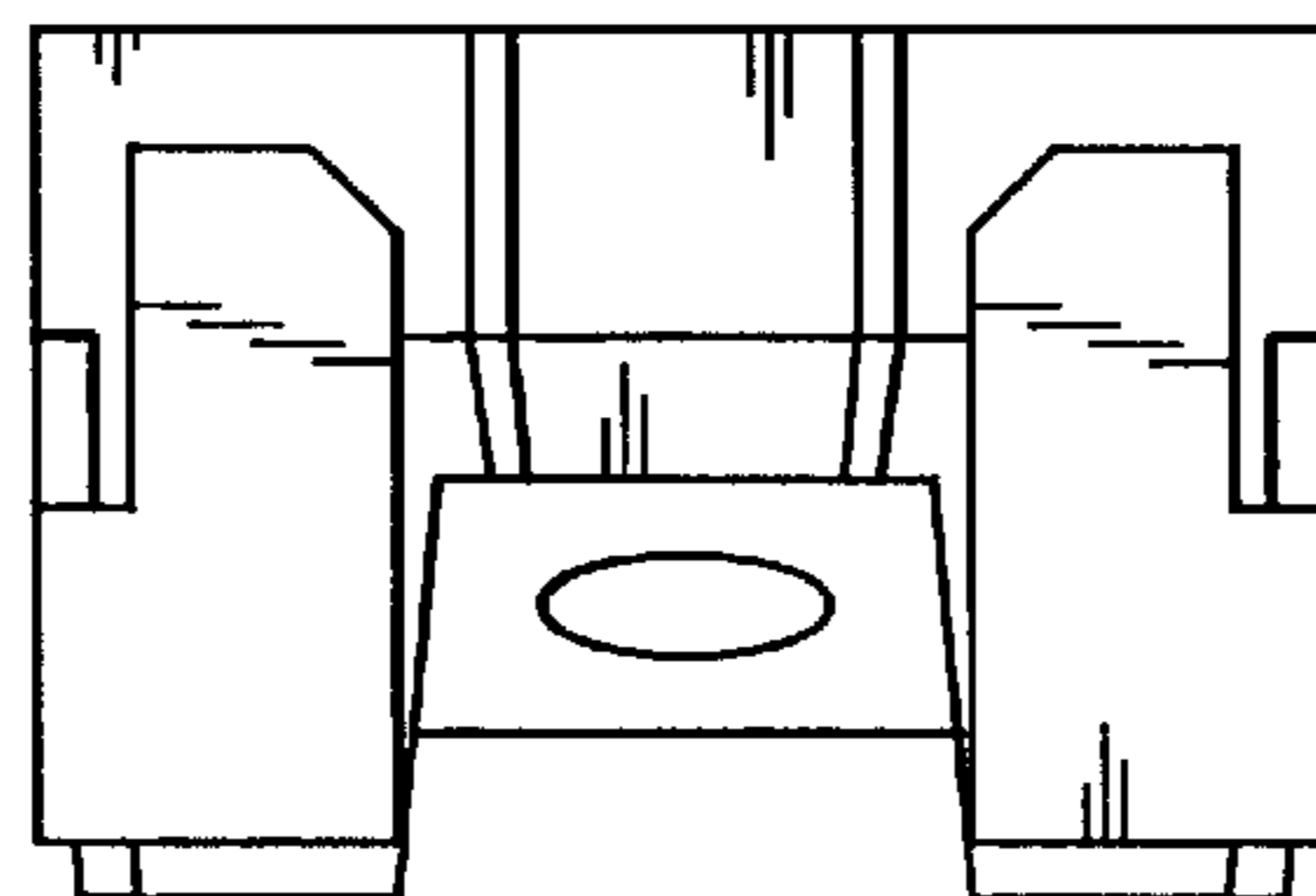


FIG. 6

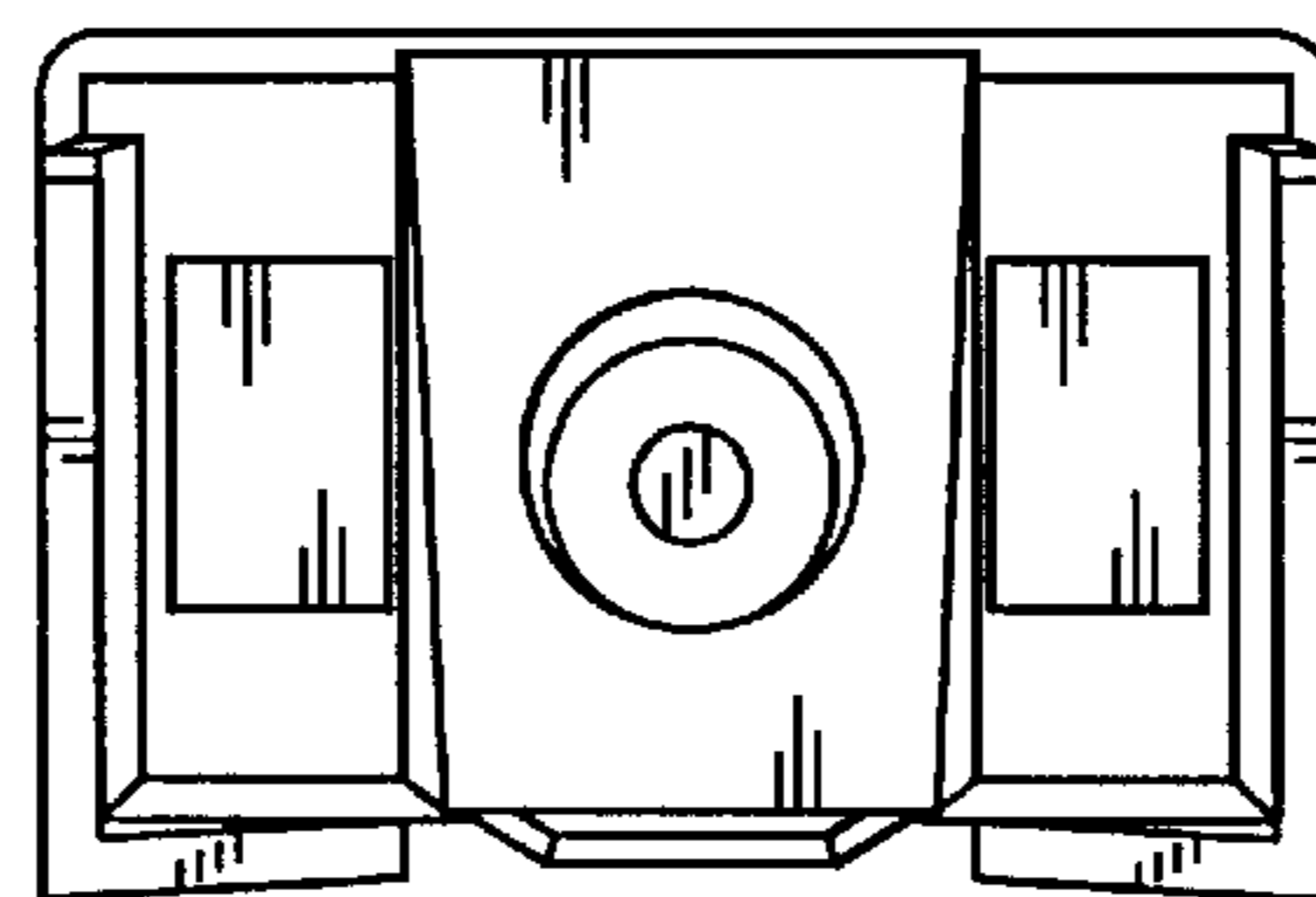


FIG. 7

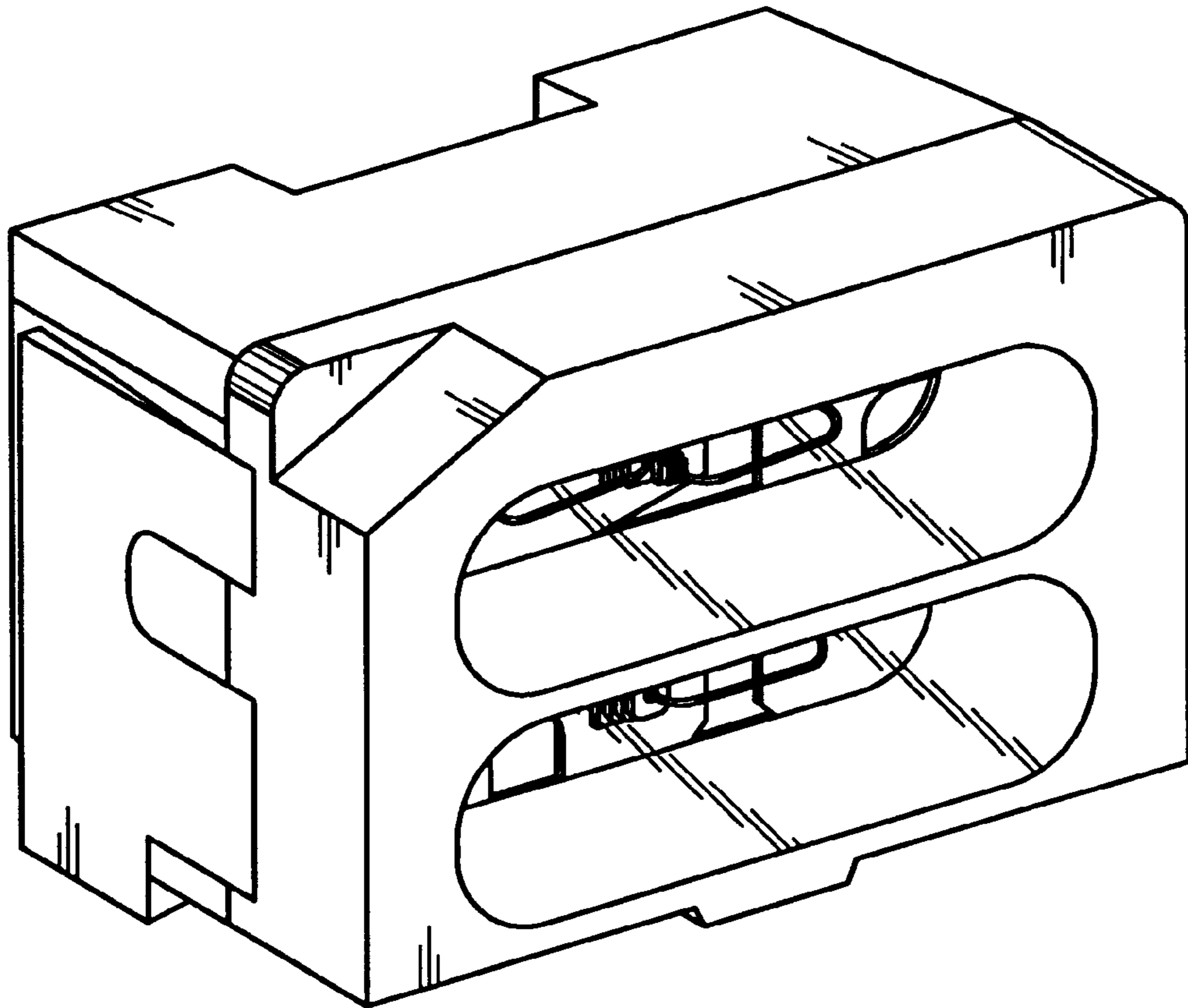


FIG. 8

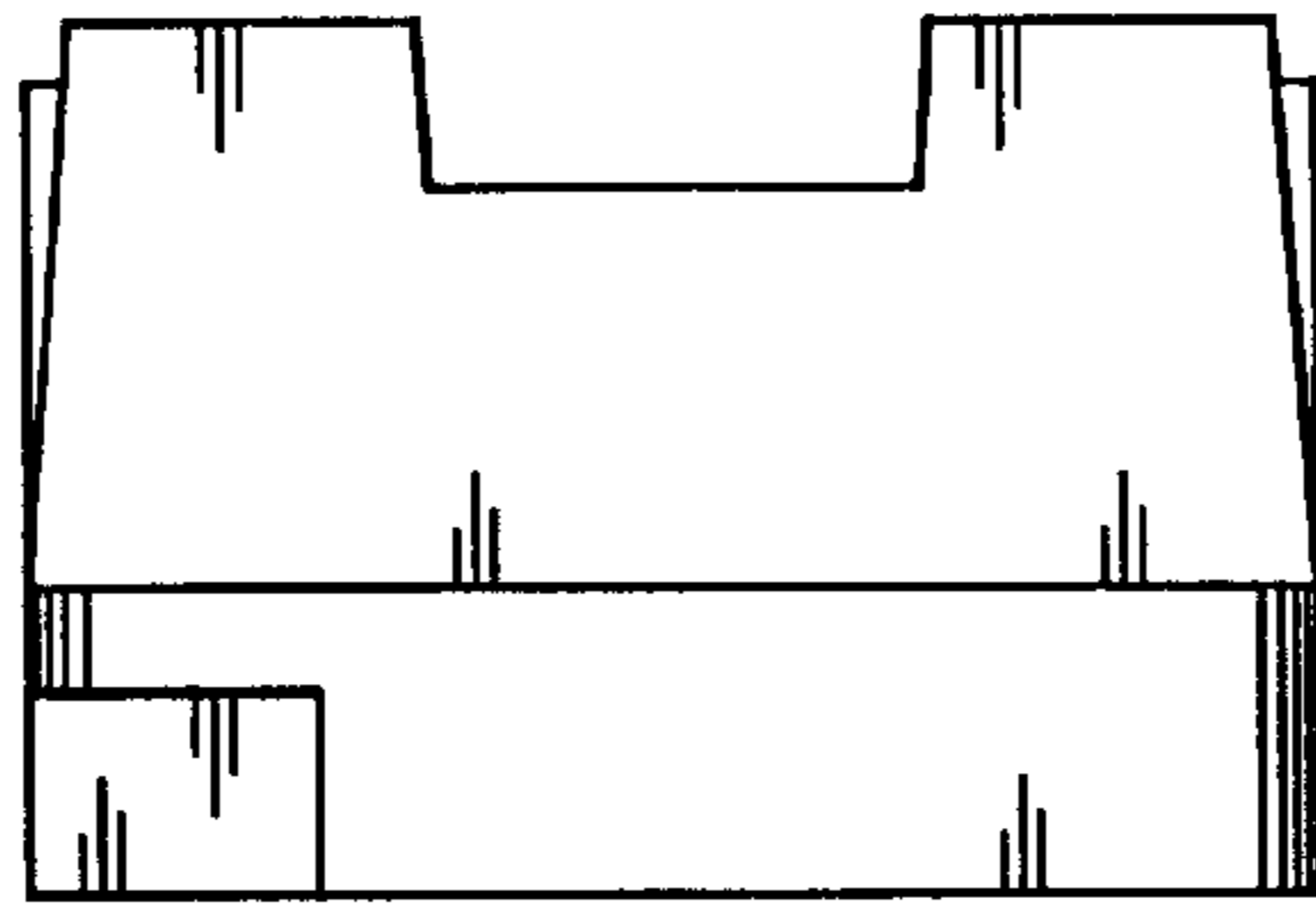


FIG. 9

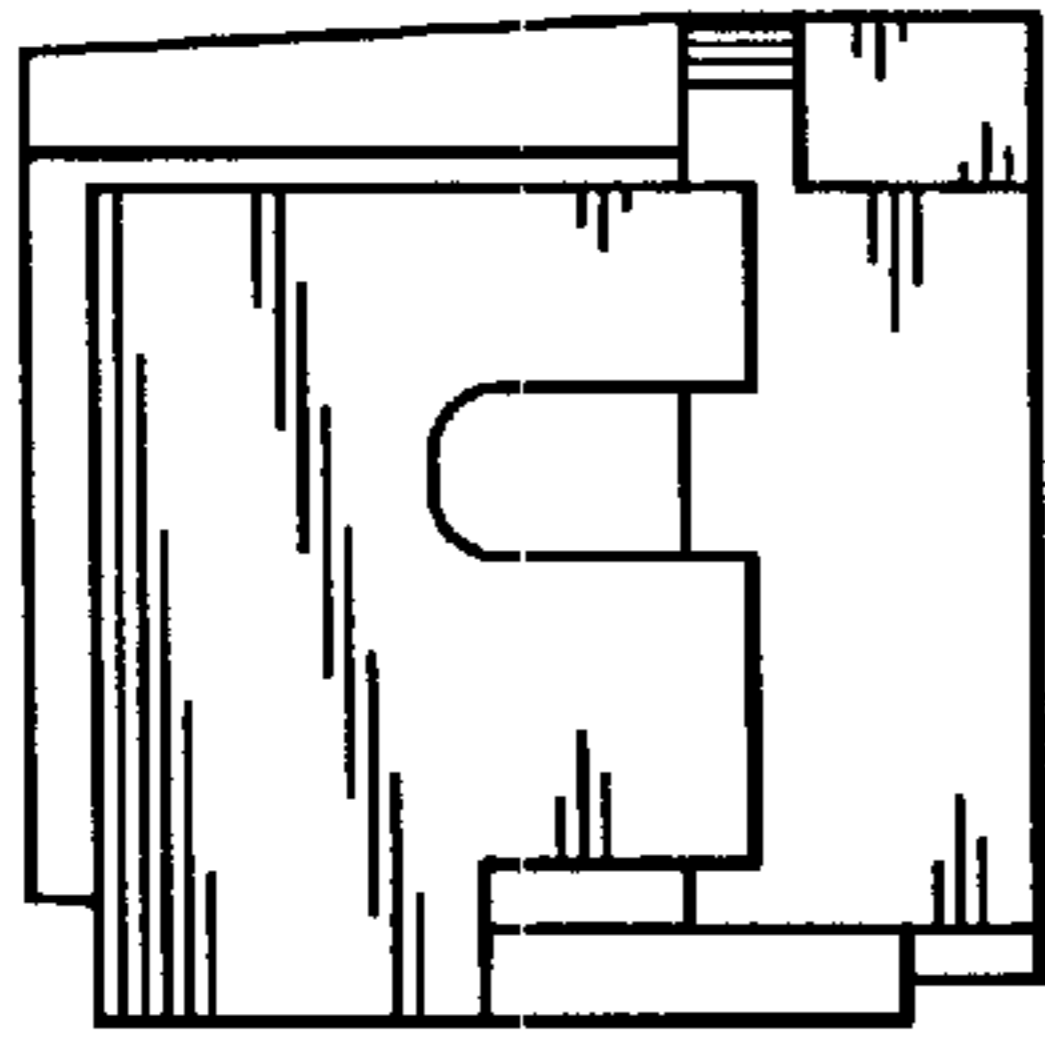


FIG. 10

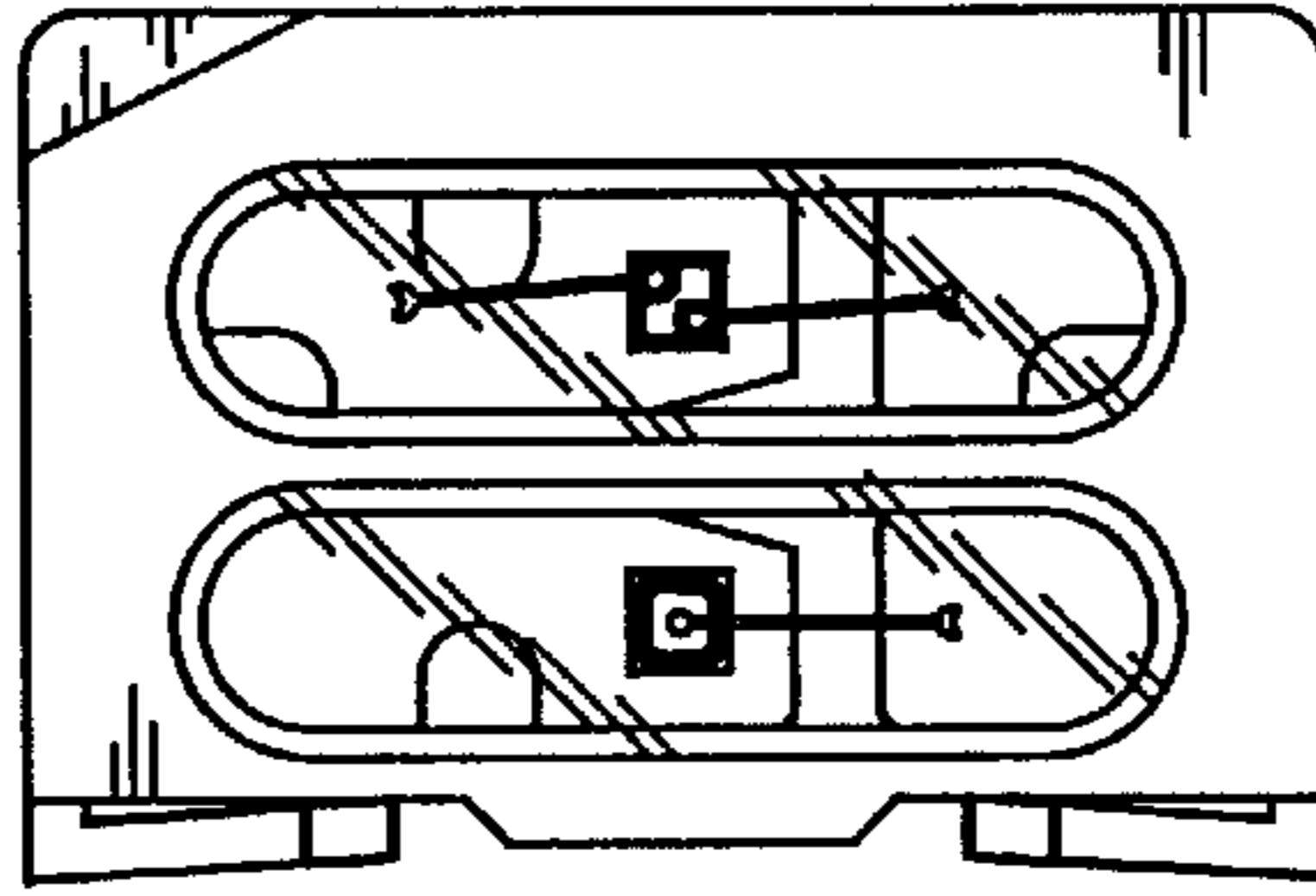


FIG. 11

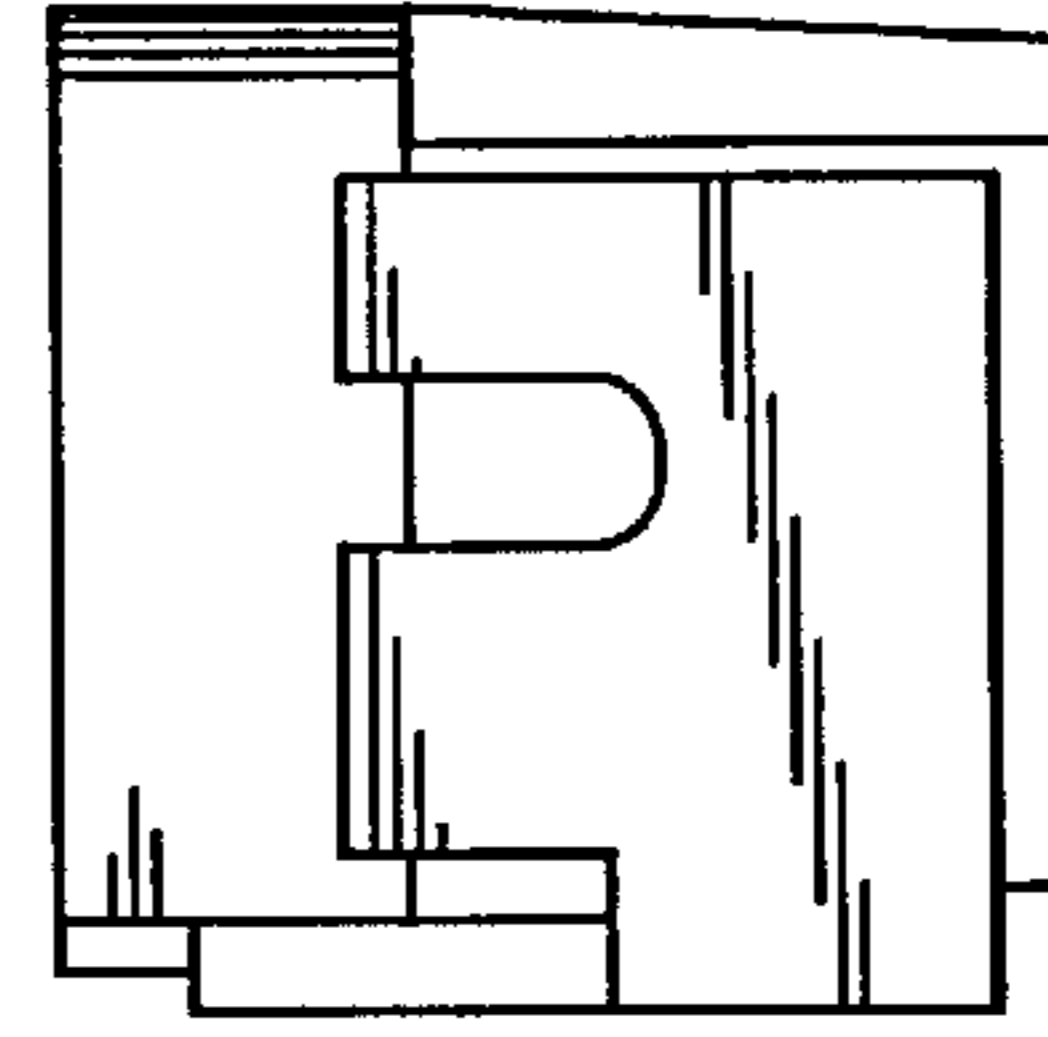


FIG. 12

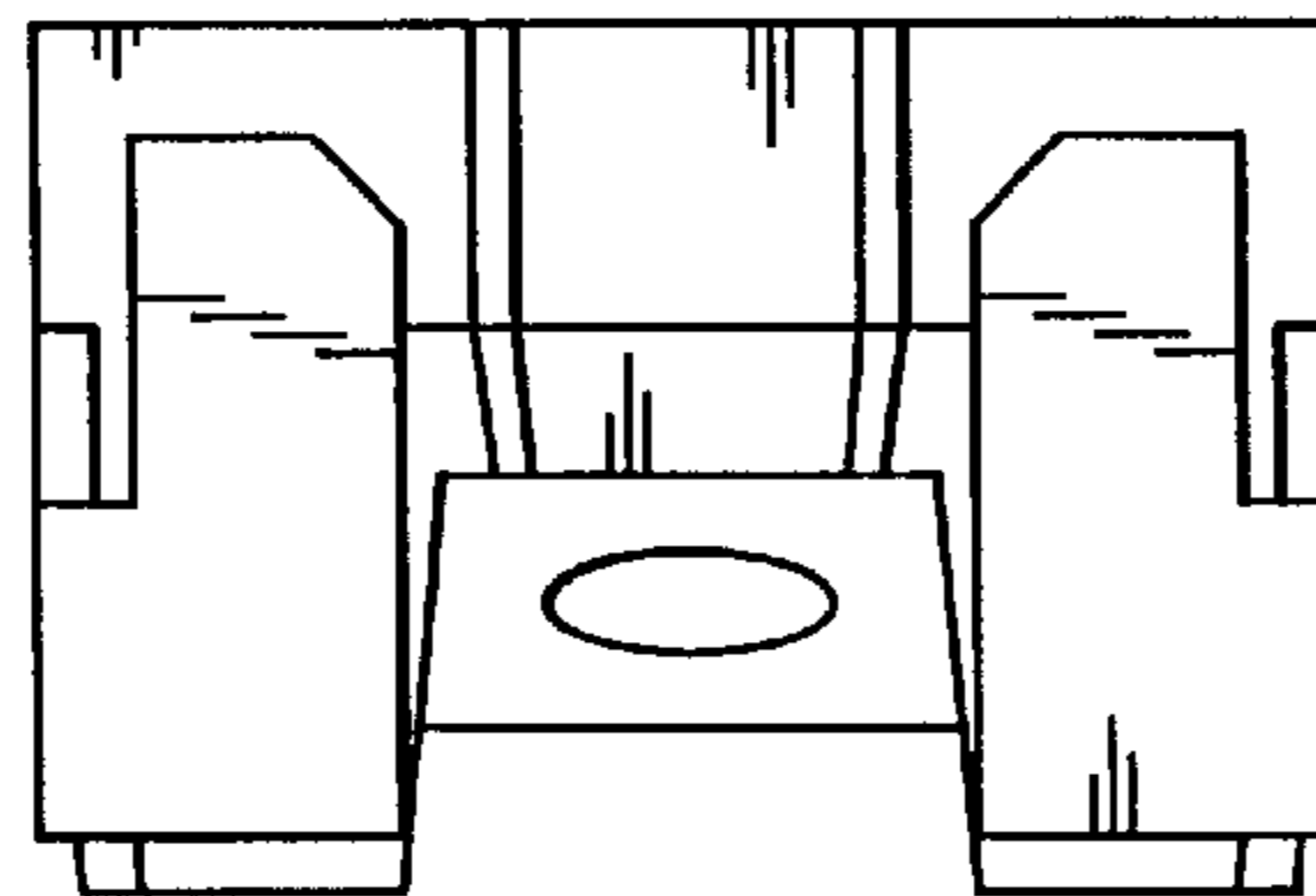


FIG. 13

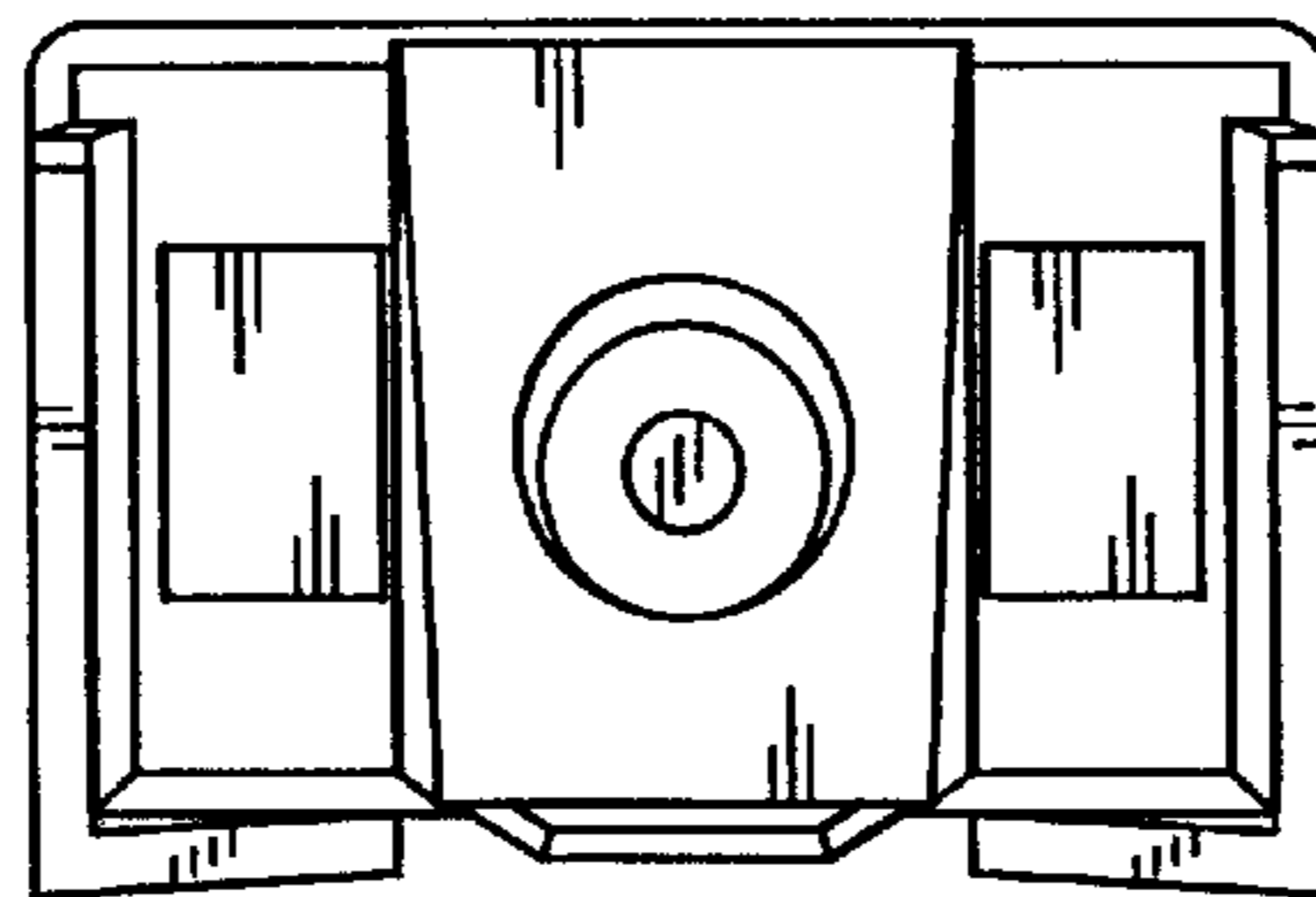


FIG. 14