



US00D534504S

(12) **United States Design Patent**
Kim et al.

(10) **Patent No.:** **US D534,504 S**
(45) **Date of Patent:** **** Jan. 2, 2007**

(54) **LIGHT EMITTING DIODE (LED)**
(75) Inventors: **Do Hyung Kim**, Suwon-si (KR); **Jung Hoo Seo**, Seoul (KR); **Jung Hwa Jung**, Seoul (KR)

6,476,549 B1 * 11/2002 Yu 313/499
D477,580 S * 7/2003 Kamada D13/182
6,639,356 B1 * 10/2003 Chin 313/499
D502,150 S * 2/2005 Suenaga D13/180
D509,489 S * 9/2005 Kamada D13/180
D515,519 S * 2/2006 Egoshi et al. D13/180

(73) Assignee: **Seoul Semiconductor Co. Ltd.** (KR)

* cited by examiner

(**) Term: **14 Years**

Primary Examiner—Selina Sikder

(21) Appl. No.: **29/236,915**

(74) *Attorney, Agent, or Firm*—Townsend and Townsend and Crew LLP

(22) Filed: **Aug. 23, 2005**

(57) **CLAIM**

(30) **Foreign Application Priority Data**

The ornamental design for light emitting diode (LED), as shown and described.

May 10, 2005 (KR) 30-2005-0015572

(51) **LOC (8) Cl.** **13-03**

DESCRIPTION

(52) **U.S. Cl.** **D13/180**

(58) **Field of Classification Search** D13/180,
D13/182; D26/2; 257/79, 80, 81, 82, 88,
257/89, 95, 98, 99, 100, 433, 434, 666, 676,
257/678, 680; 313/483, 498; 361/820; 362/235,
362/555, 800; 372/45.01; 438/27, 123
See application file for complete search history.

FIG. 1 is a perspective view of a light emitting diode (LED) showing my new design;
FIG. 2 is a front elevational view, the rear elevational view being a mirror image thereof;
FIG. 3 is a rear elevational view, the front elevational view being a mirror image thereof;
FIG. 4 is a left side elevational view, the right side elevational view being a mirror image thereof;
FIG. 5 is a right side elevational view, the left side elevational view being a mirror image thereof;
FIG. 6 is a top plan view thereof; and,
FIG. 7 is a bottom plan view thereof.

(56) **References Cited**

U.S. PATENT DOCUMENTS

H000445 H * 3/1988 Bock et al. 264/1.7
6,061,160 A * 5/2000 Maruyama 398/201
D432,095 S * 10/2000 Seeger et al. D13/182
6,274,924 B1 * 8/2001 Carey et al. 257/676

1 Claim, 4 Drawing Sheets

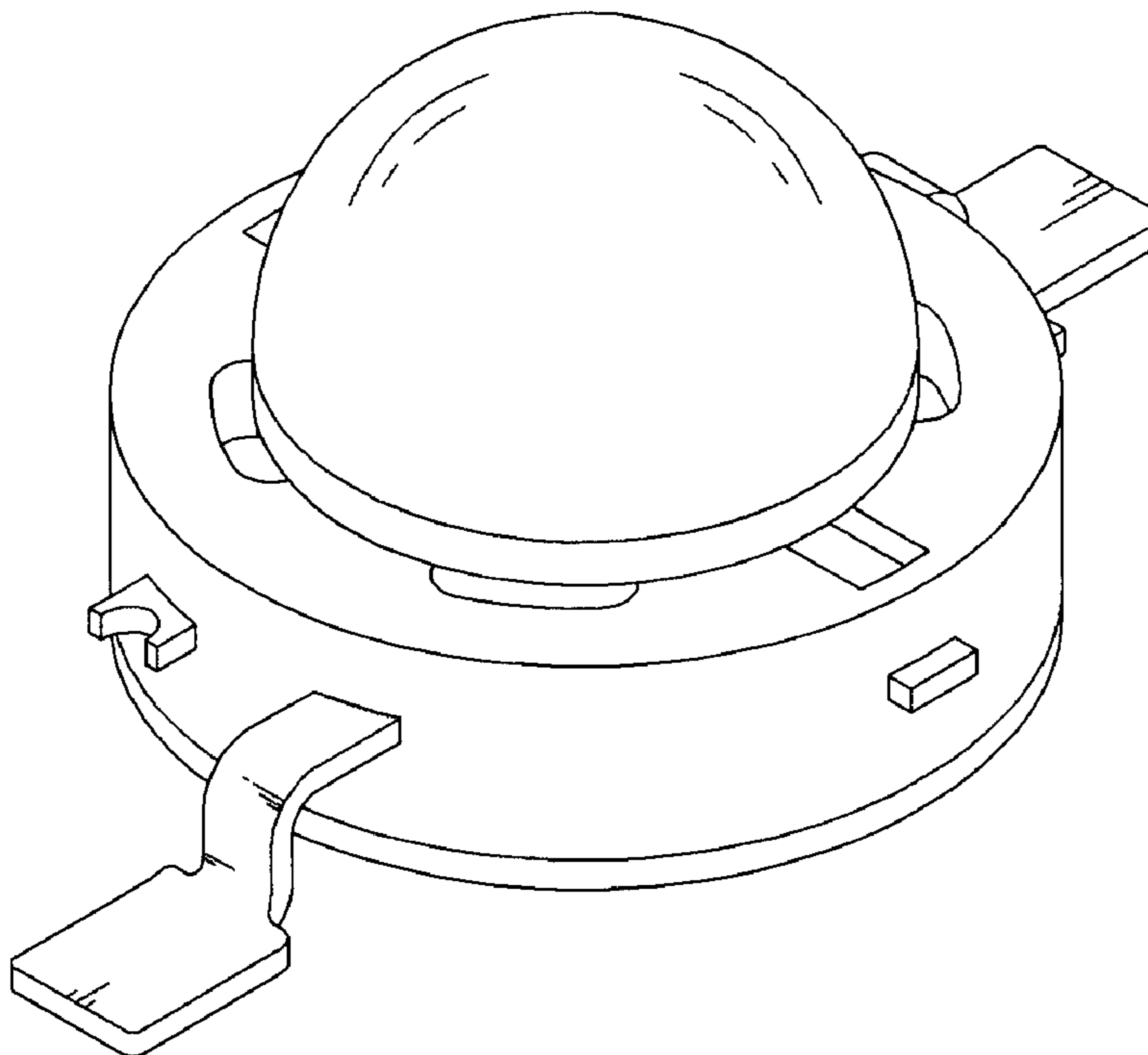


FIG 1

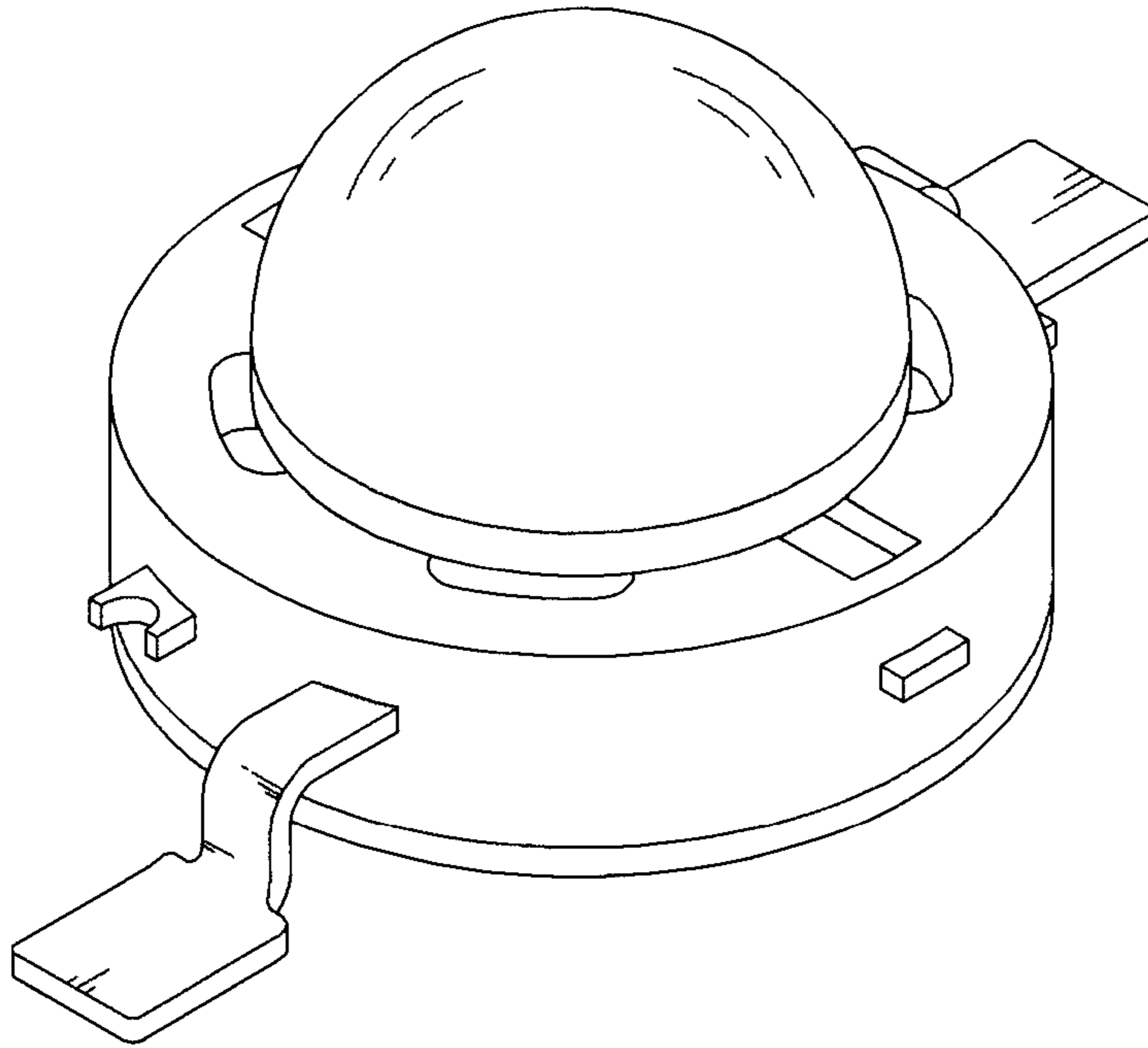


FIG 2

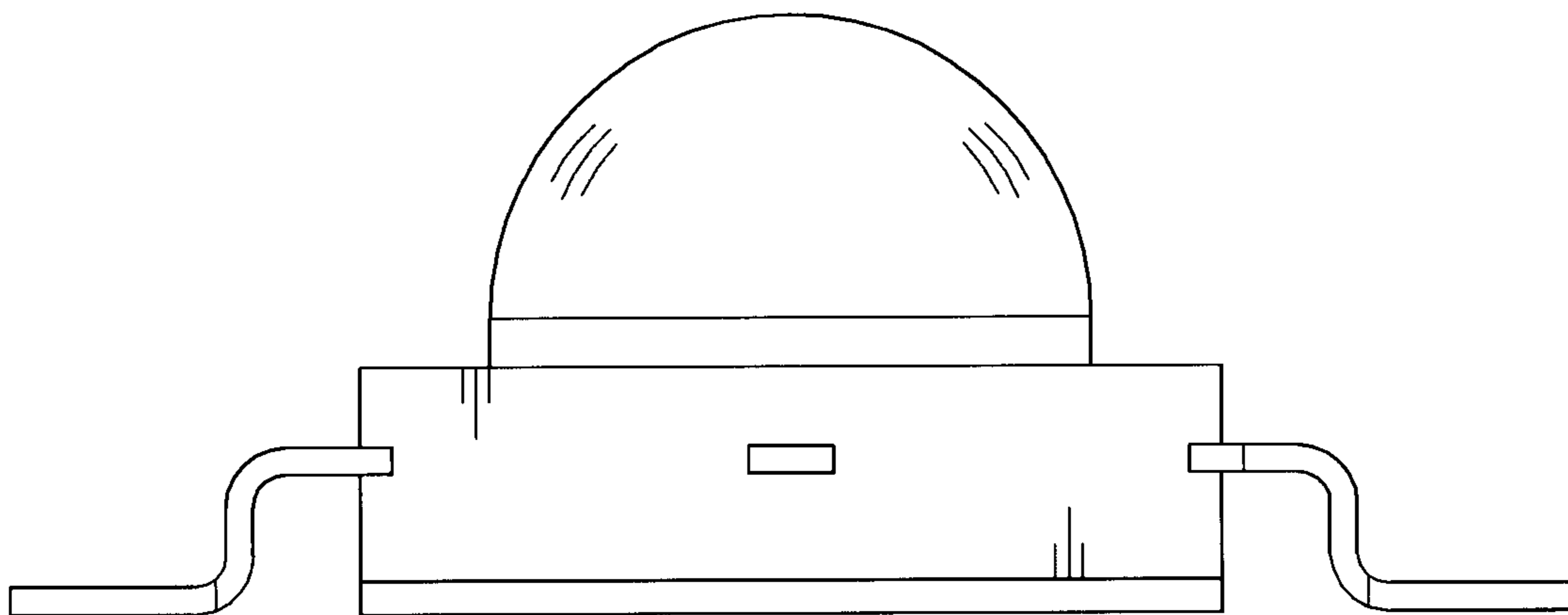


FIG 3

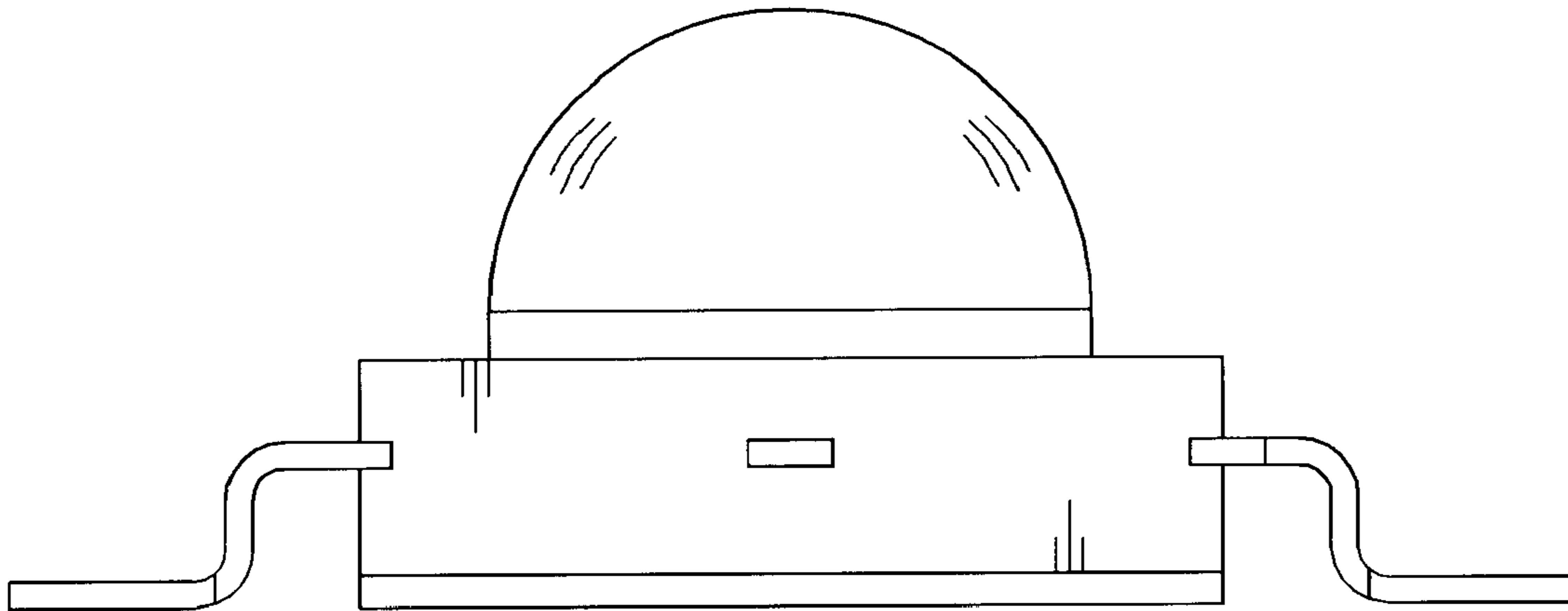


FIG 4

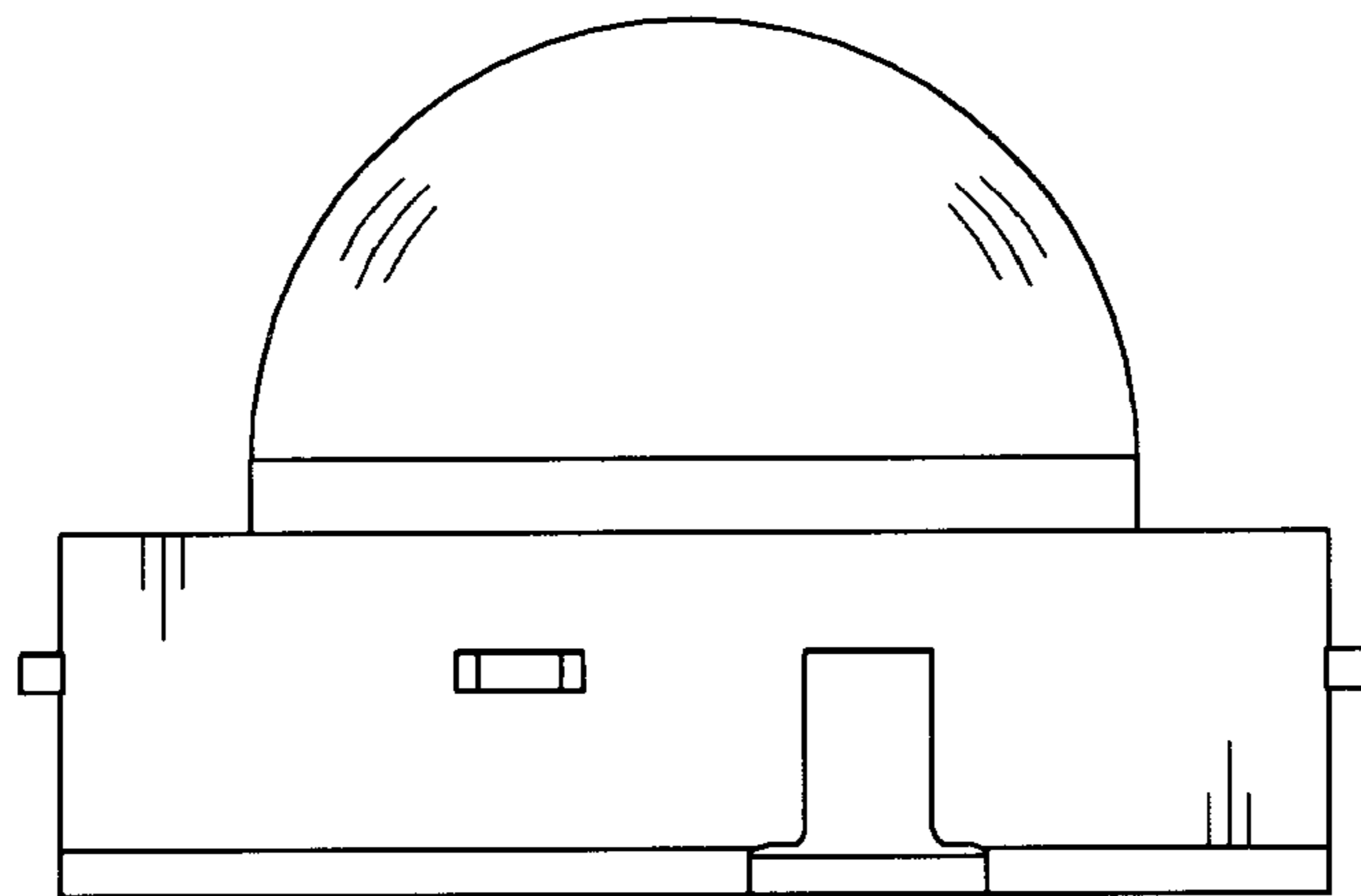


FIG 5

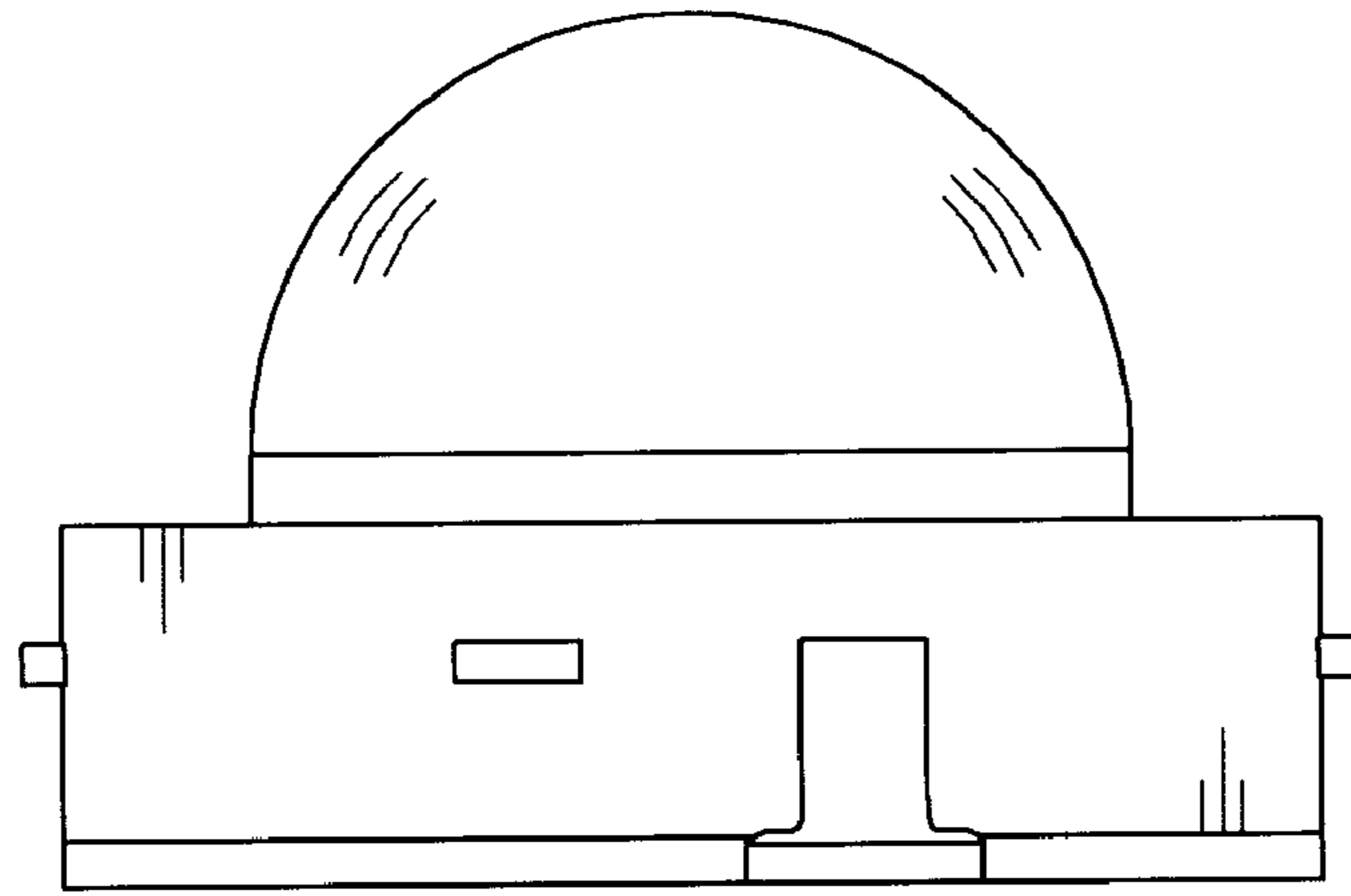


FIG 6

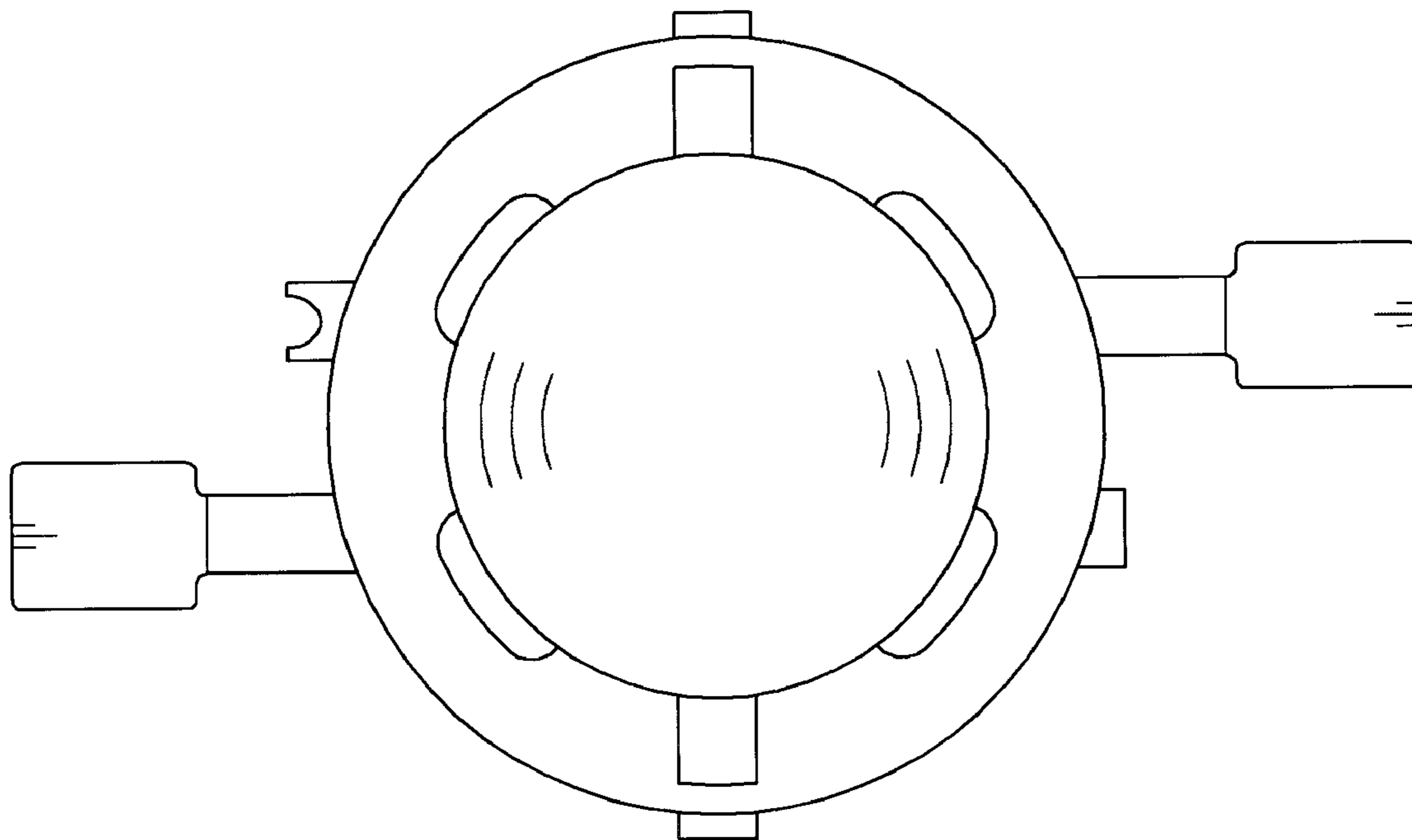


FIG 7

