



US00D534500S

(12) **United States Design Patent**
Yamada

(10) **Patent No.:** **US D534,500 S**

(45) **Date of Patent:** **** Jan. 2, 2007**

(54) **SWITCH**

(75) **Inventor:** **Daisuke Yamada**, Tokyo (JP)

(73) **Assignee:** **SMK Corporation**, Tokyo (JP)

(**) **Term:** **14 Years**

(21) **Appl. No.:** **29/223,315**

(22) **Filed:** **Feb. 11, 2005**

(30) **Foreign Application Priority Data**

Aug. 27, 2004 (JP) 2004-025726

(51) **LOC (8) Cl.** **13-03**

(52) **U.S. Cl.** **D13/158; D13/170**

(58) **Field of Classification Search** D13/158,
D13/171, 174; 200/1 B, 5 A, 6 R, 293-297,
200/314, 315, 341, 344, 406, 513, 520, 523,
200/530, 531, 536, 547

See application file for complete search history.

(56) **References Cited**

U.S. PATENT DOCUMENTS

5,512,723 A * 4/1996 Joshi 200/530

D462,666 S * 9/2002 Yamasaki et al. D13/158
6,791,037 B1 * 9/2004 Ling 200/4
2003/0209418 A1 * 11/2003 Yanai et al. 200/406
2004/0079627 A1 * 4/2004 Huang et al. 200/406

* cited by examiner

Primary Examiner—Selina Sikder

(74) *Attorney, Agent, or Firm*—Darby & Darby

(57) **CLAIM**

The ornamental design for switch, as shown and described.

DESCRIPTION

FIG. 1 is a front side view of my new design for switch;
FIG. 2 is a rear side view thereof;
FIG. 3 is a top side view thereof;
FIG. 4 is a bottom side view thereof;
FIG. 5 is a right side view thereof; and,
FIG. 6 is a top perspective view thereof.

1 Claim, 2 Drawing Sheets

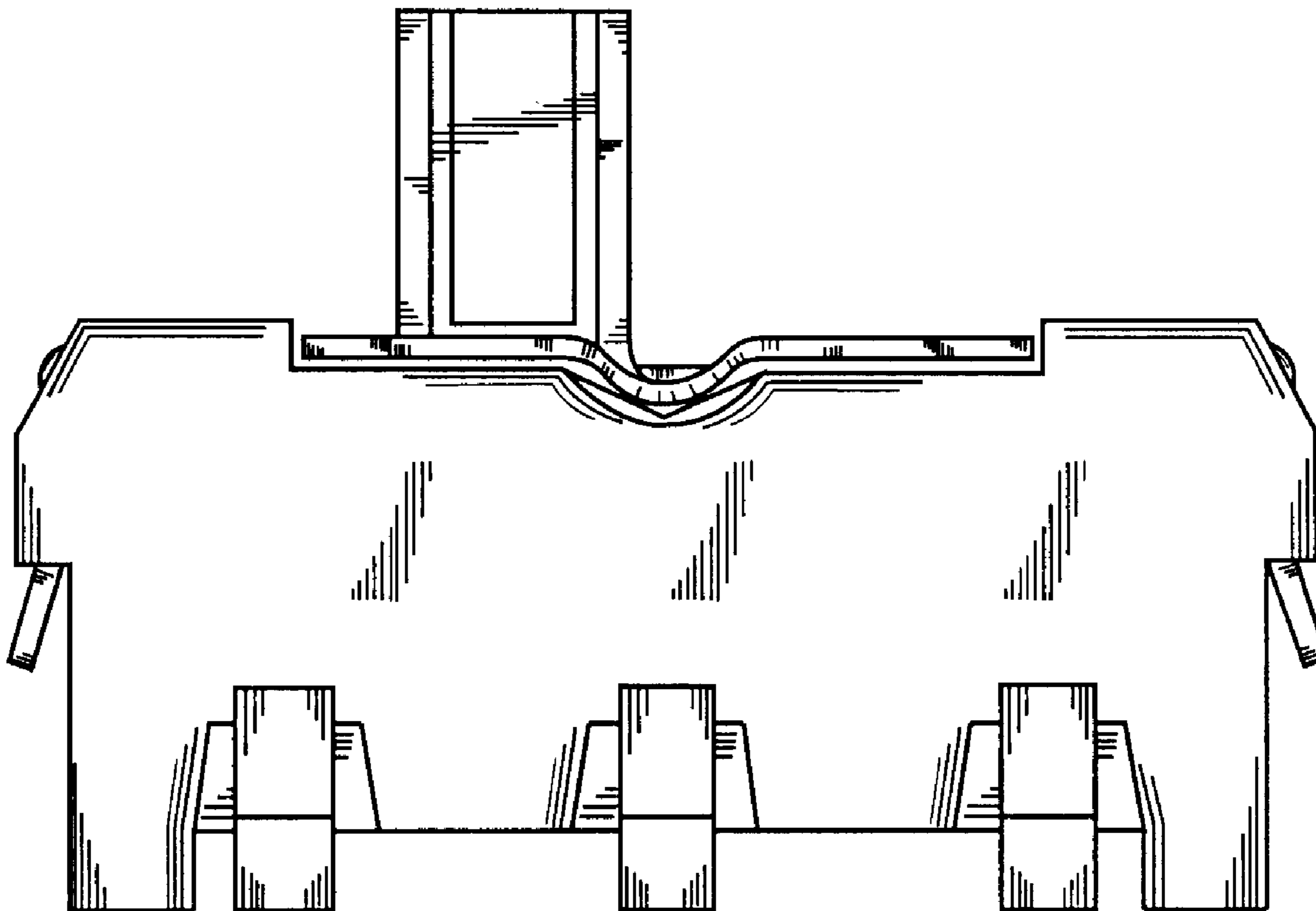


FIG. 1

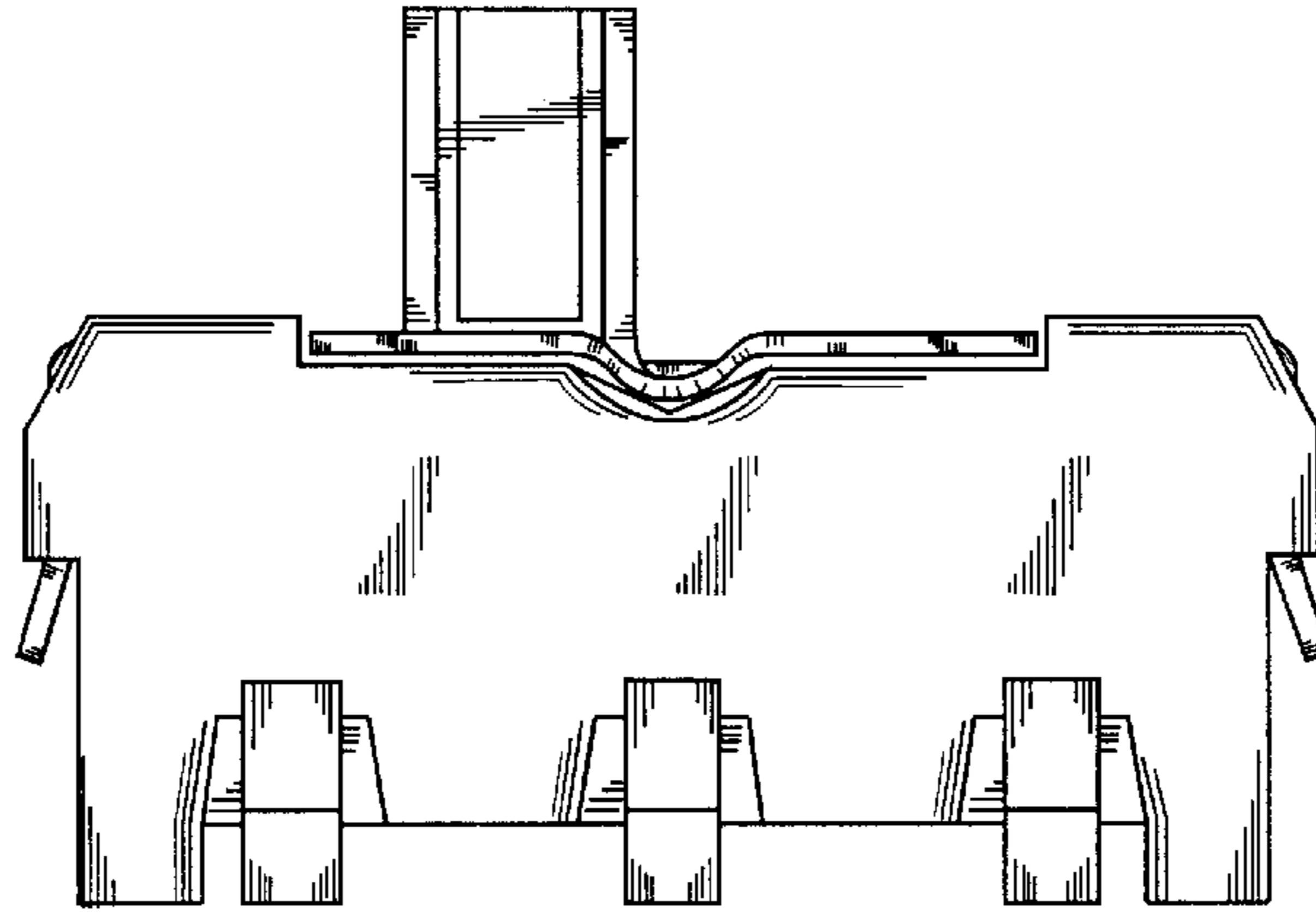


FIG. 2

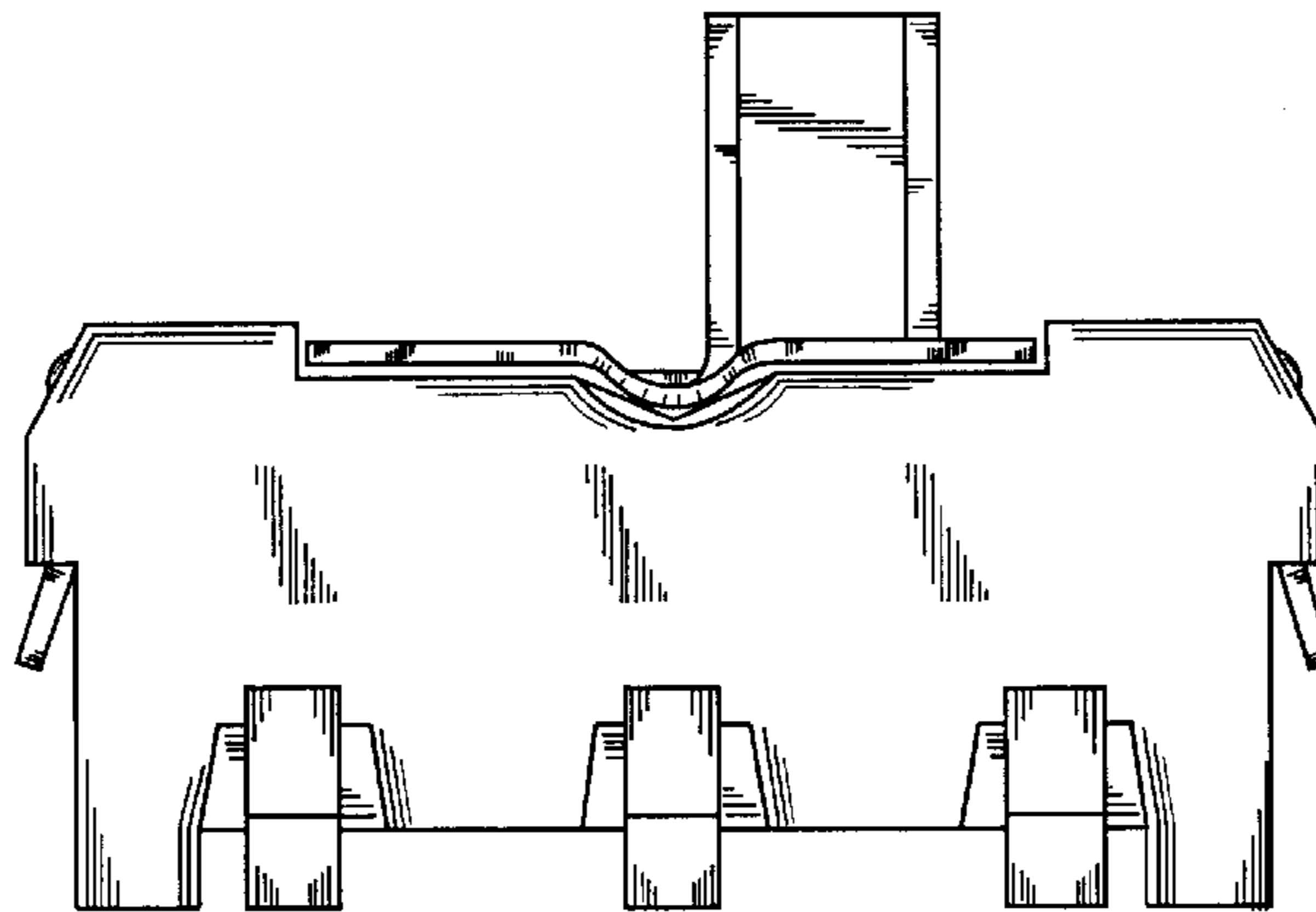


FIG. 3

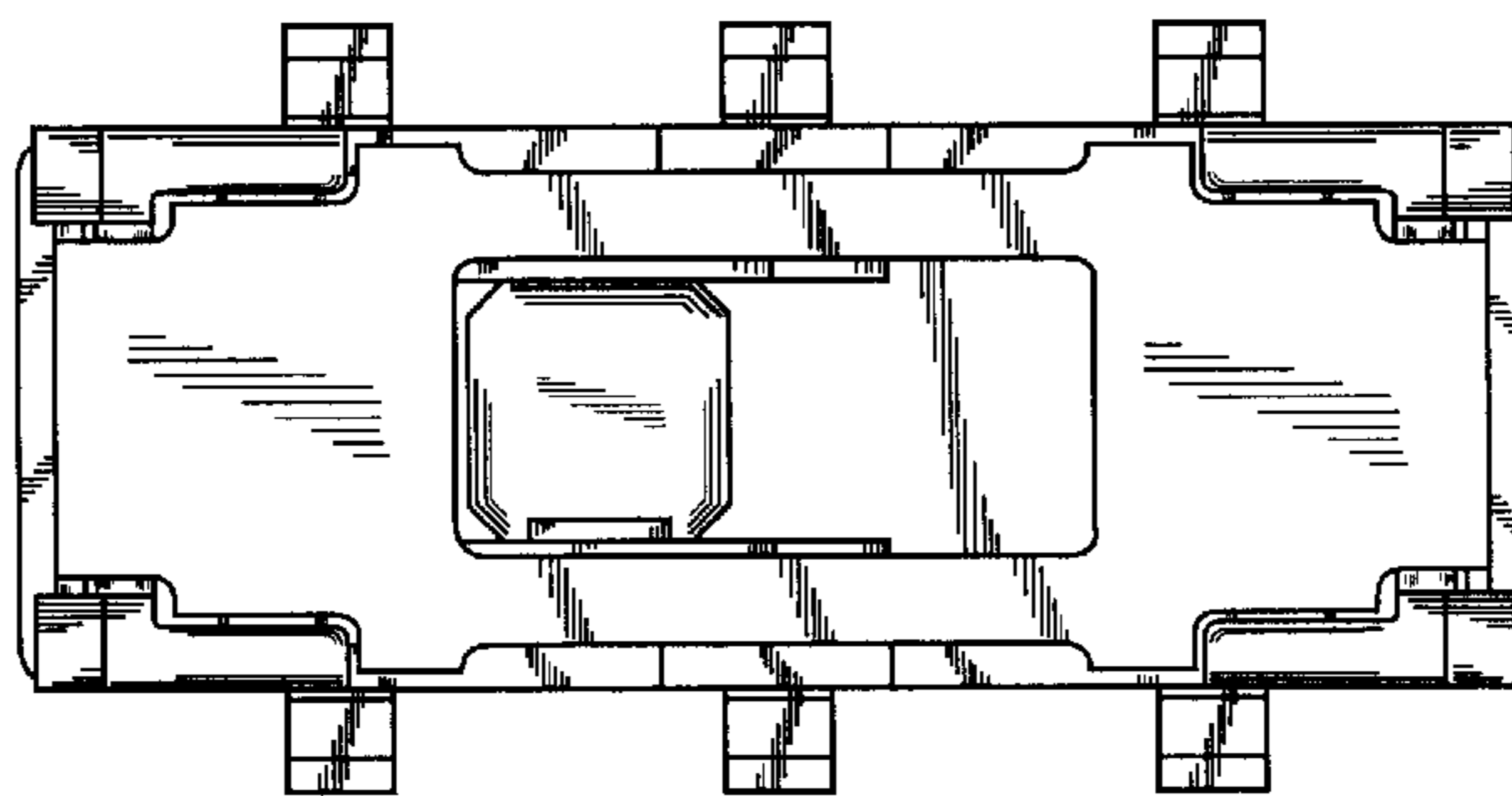


FIG. 4

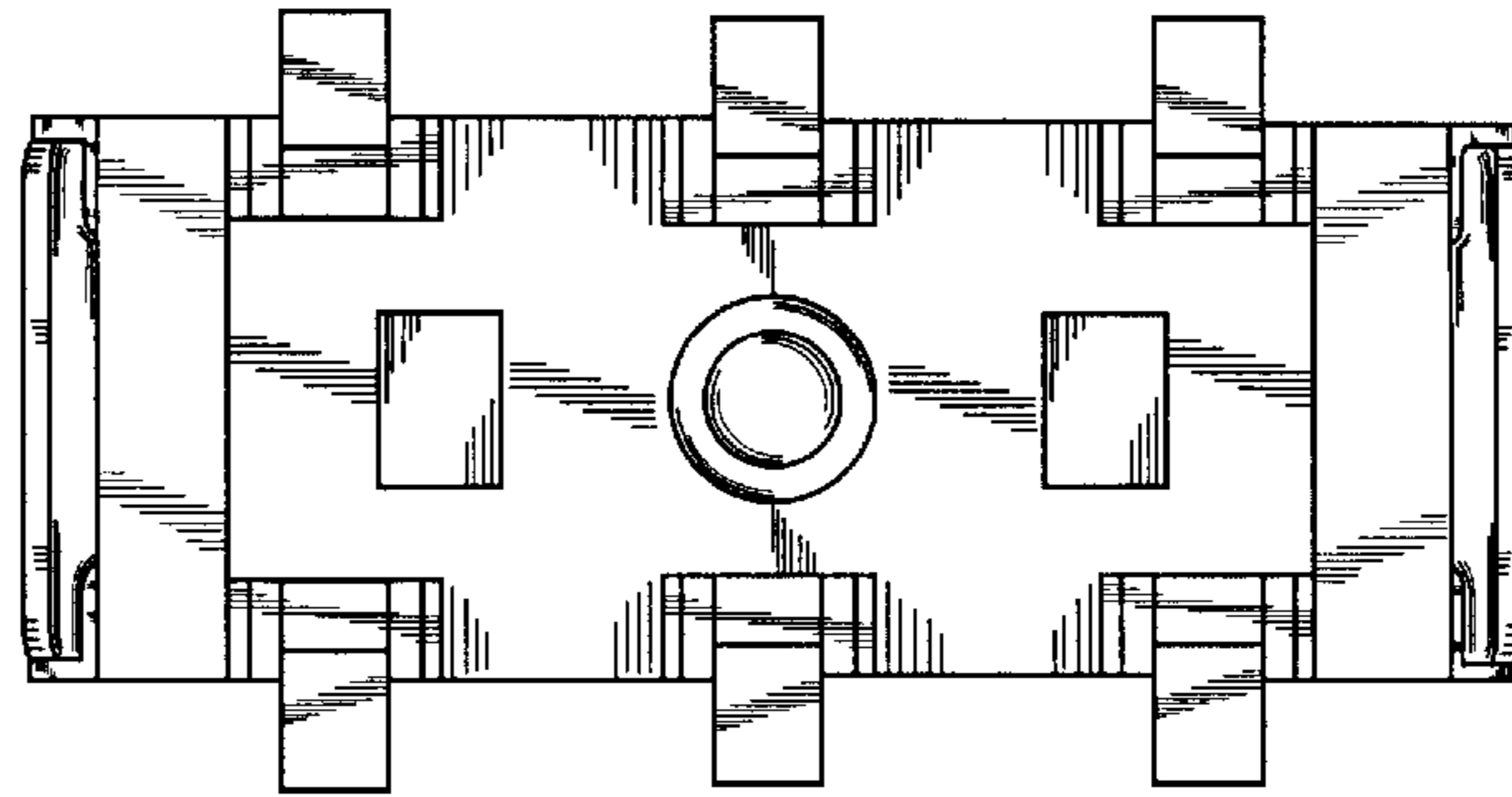


FIG. 5

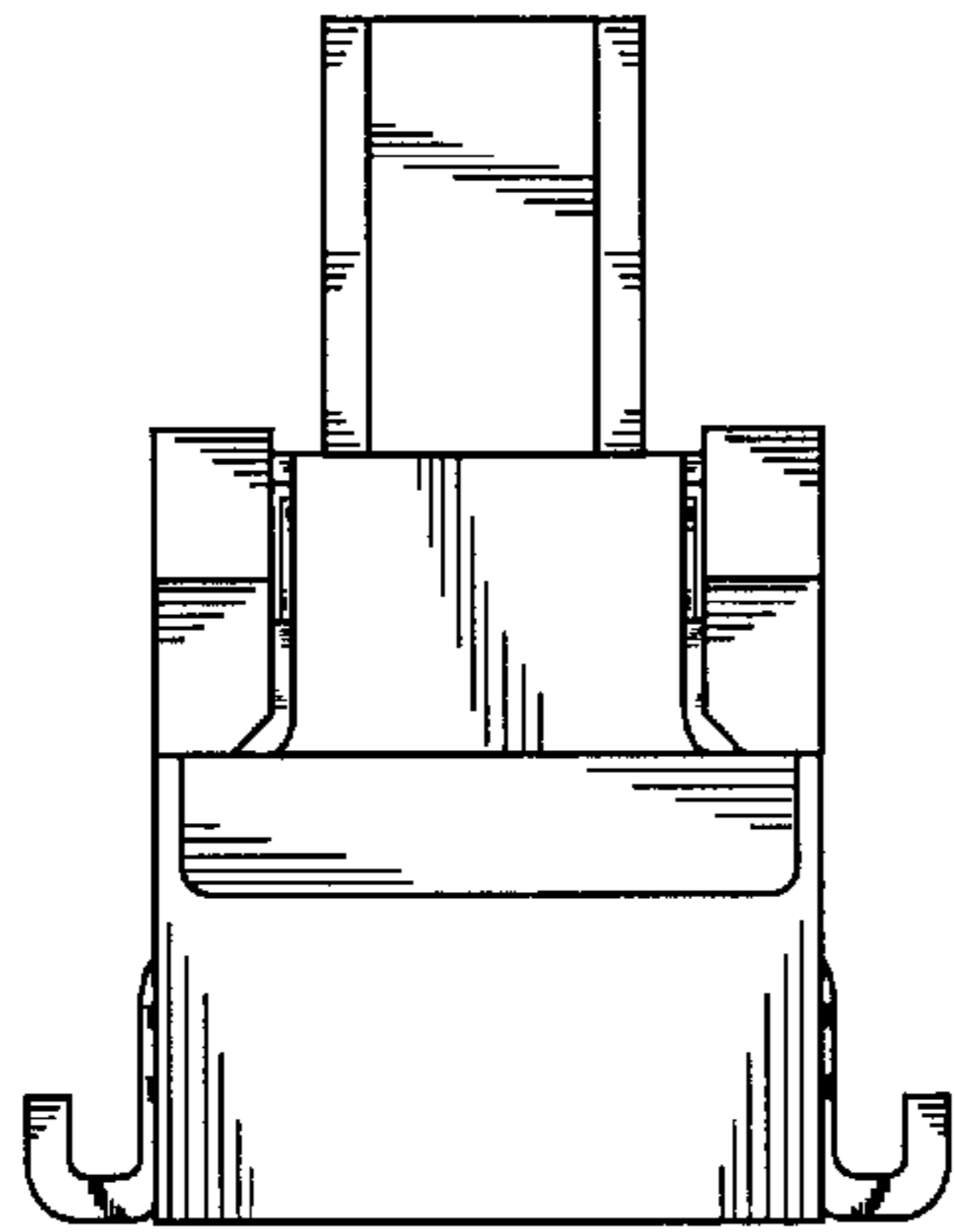


FIG. 6

