



US00D534499S

(12) **United States Design Patent**  
**Park**

(10) **Patent No.:** **US D534,499 S**

(45) **Date of Patent:** **\*\* Jan. 2, 2007**

(54) **LID FOR THE CONNECTOR OF OVEN RANGE**

(75) Inventor: **James Ji-Hong Park**, Seoul (KR)

(73) Assignee: **James Tech Co., Ltd.** (KR)

(\*\*) Term: **14 Years**

(21) Appl. No.: **29/240,835**

(22) Filed: **Oct. 19, 2005**

(30) **Foreign Application Priority Data**

Sep. 30, 2005 (KR) ..... 30-2005-0033199

(51) **LOC (8) Cl.** ..... **13-03**

(52) **U.S. Cl.** ..... **D13/156**

(58) **Field of Classification Search** ..... D13/133,  
D13/154, 156, 184, 199; D23/386; 174/66,  
174/67; 439/142, 144, 146-147, 278, 892-894  
See application file for complete search history.

(56) **References Cited**

**U.S. PATENT DOCUMENTS**

3,792,414 A	*	2/1974	Smith	.....	439/144
D286,767 S	*	11/1986	Eriksson	.....	D13/120
D344,444 S	*	2/1994	Kopfstein et al.	.....	D8/356
D344,490 S	*	2/1994	Nociar	.....	D13/146
D361,313 S	*	8/1995	Sai et al.	.....	D13/146

5,571,023 A	*	11/1996	Anthony	.....	439/142
D379,970 S	*	6/1997	Chambers et al.	.....	D13/156
D384,641 S	*	10/1997	Robertson, Jr.	.....	D13/133
6,056,595 A	*	5/2000	Passwater et al.	.....	439/570
6,554,626 B1	*	4/2003	Ramos, Jr.	.....	439/144
D503,924 S	*	4/2005	Eriksson	.....	D13/120
D508,896 S	*	8/2005	Nipke	.....	D13/156

\* cited by examiner

*Primary Examiner*—Prabhakar Deshmukh

*Assistant Examiner*—Daniel Bui

(74) *Attorney, Agent, or Firm*—Irving Keschner

(57) **CLAIM**

The ornamental design for a lid for the connector of oven range, as shown.

**DESCRIPTION**

FIG. 1 is a perspective view of a lid for the connector of oven range, showing my new invention;  
FIG. 2 is a front elevational view thereof;  
FIG. 3 is a rear elevational view thereof;  
FIG. 4 is a left side elevational view thereof;  
FIG. 5 is a right side elevational view thereof;  
FIG. 6 is a top plan view thereof;  
FIG. 7 is a bottom view thereof; and,  
FIG. 8 is a perspective view thereof, in an open position.

**1 Claim, 4 Drawing Sheets**

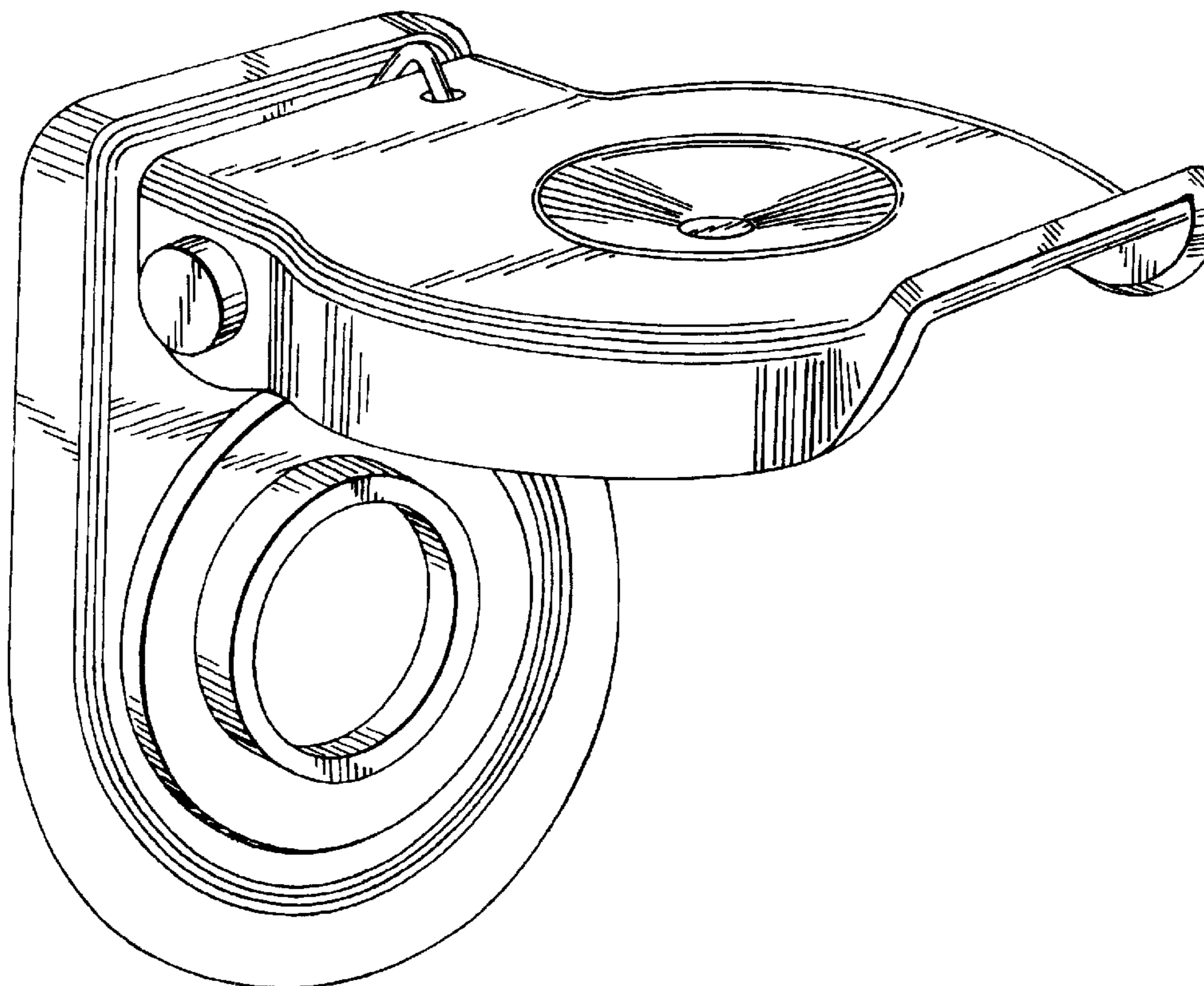


FIG. 2

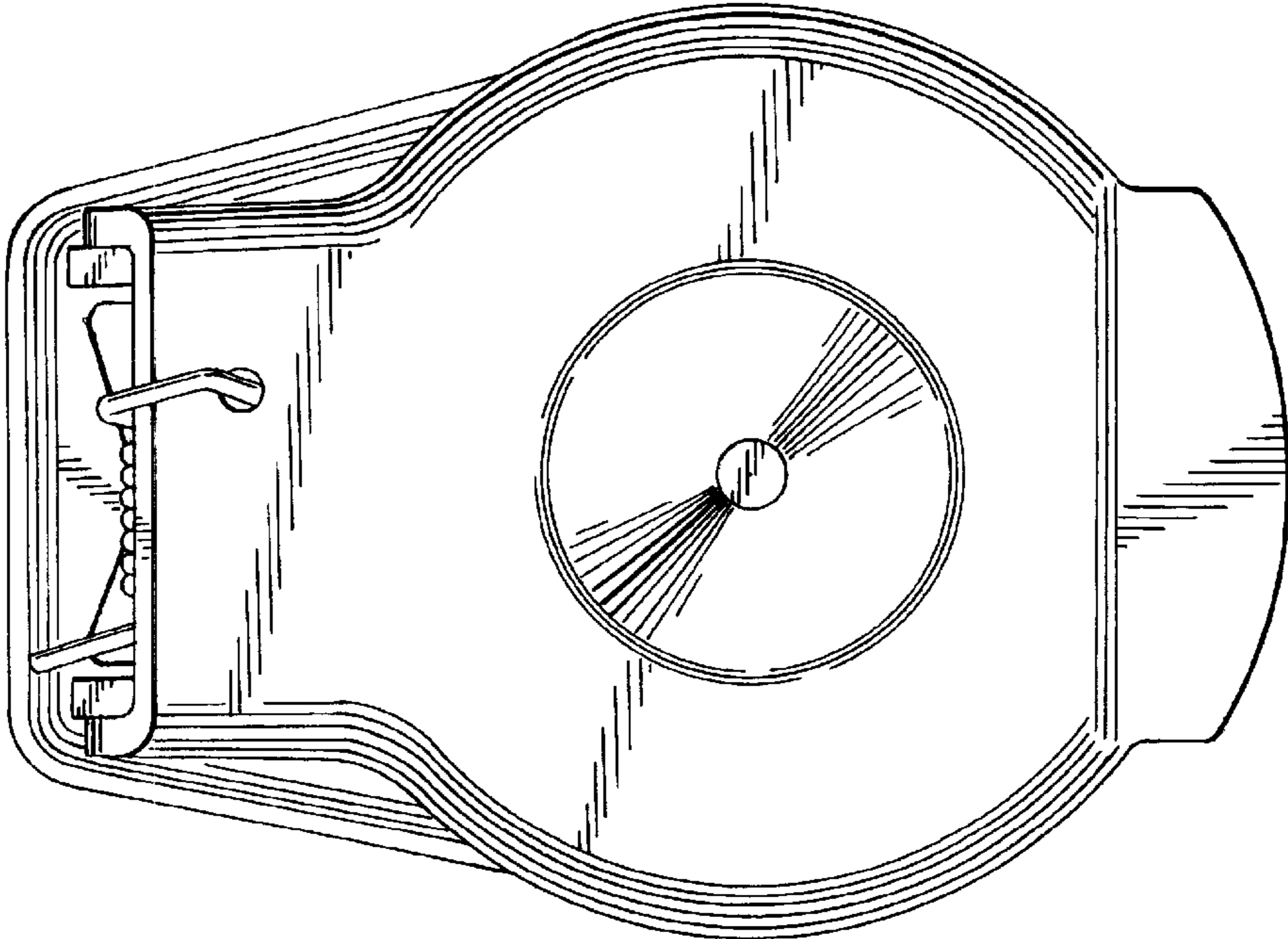


FIG. 1

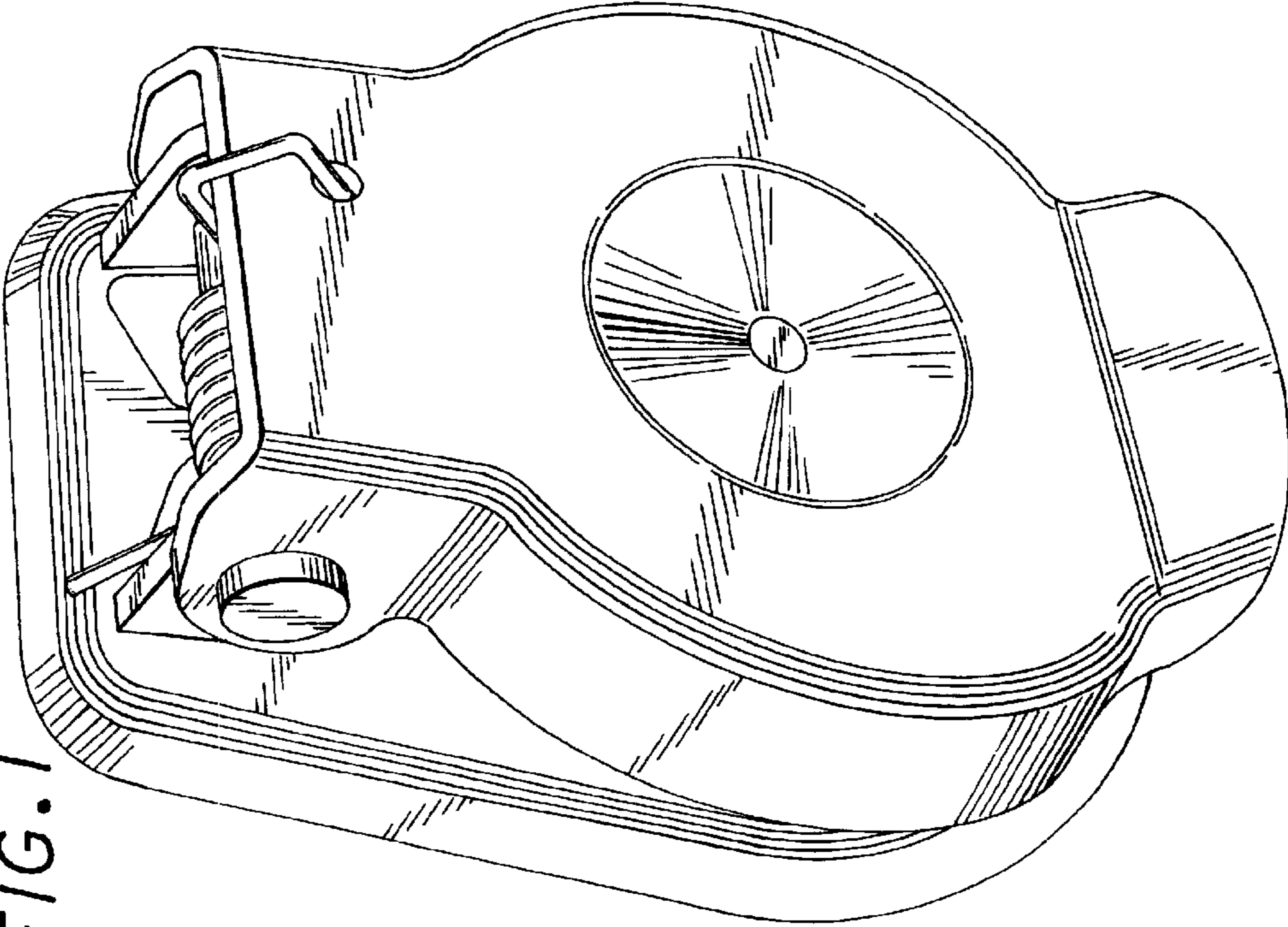


FIG. 4

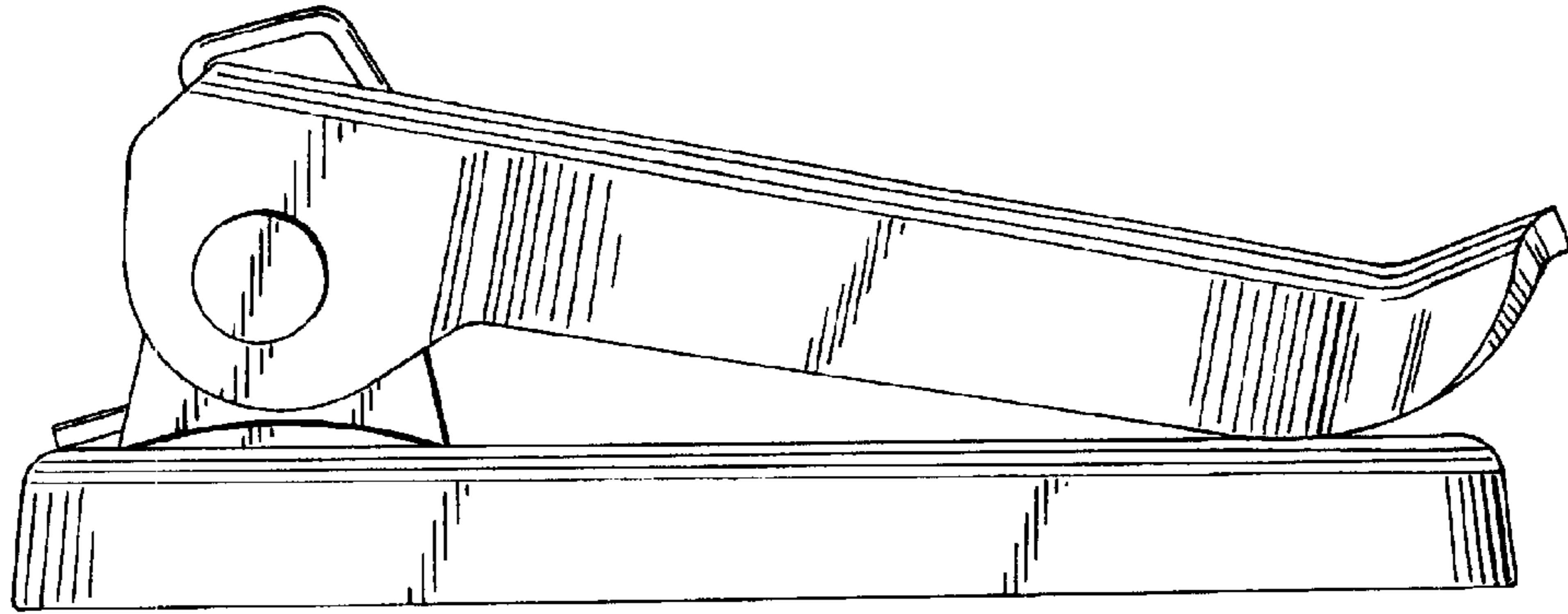
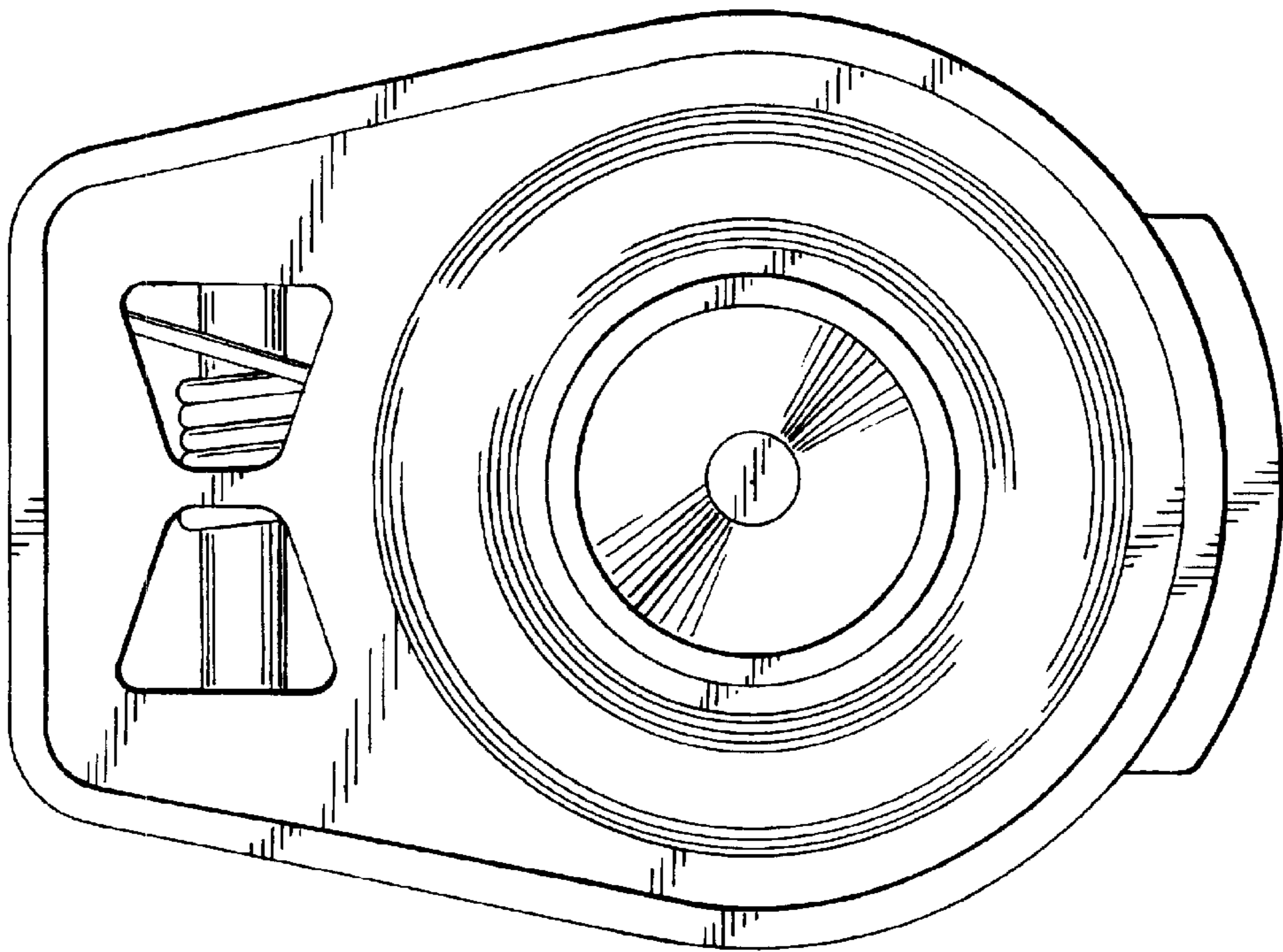
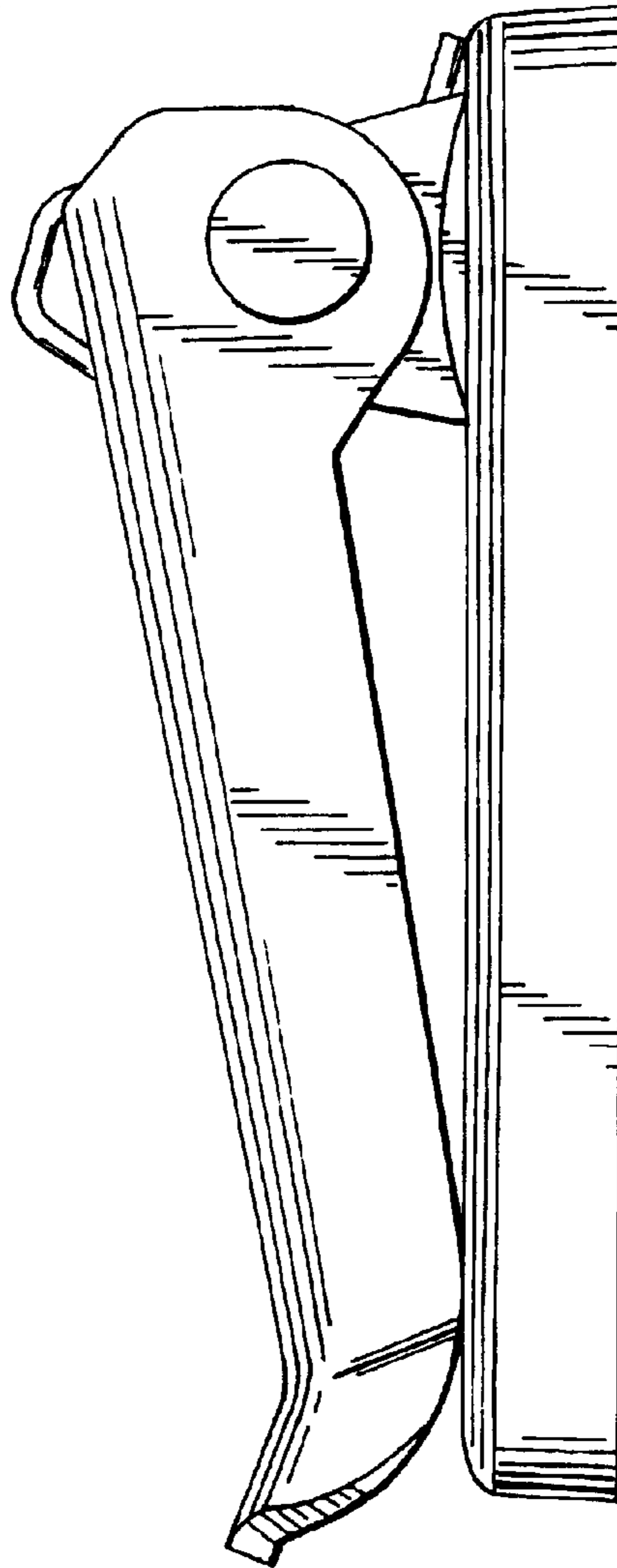


FIG. 3





*FIG. 5*



*FIG. 6*

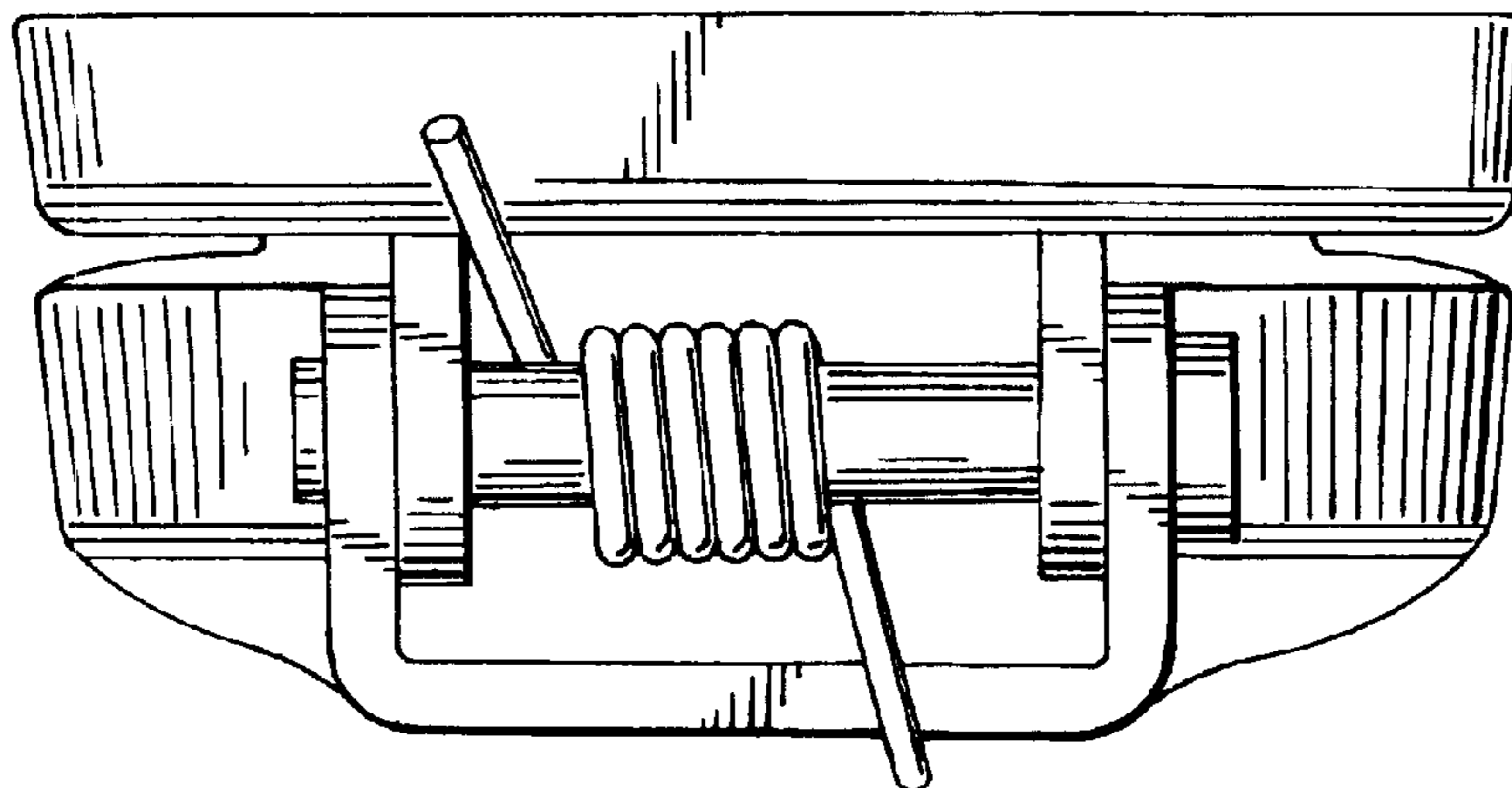


FIG. 7

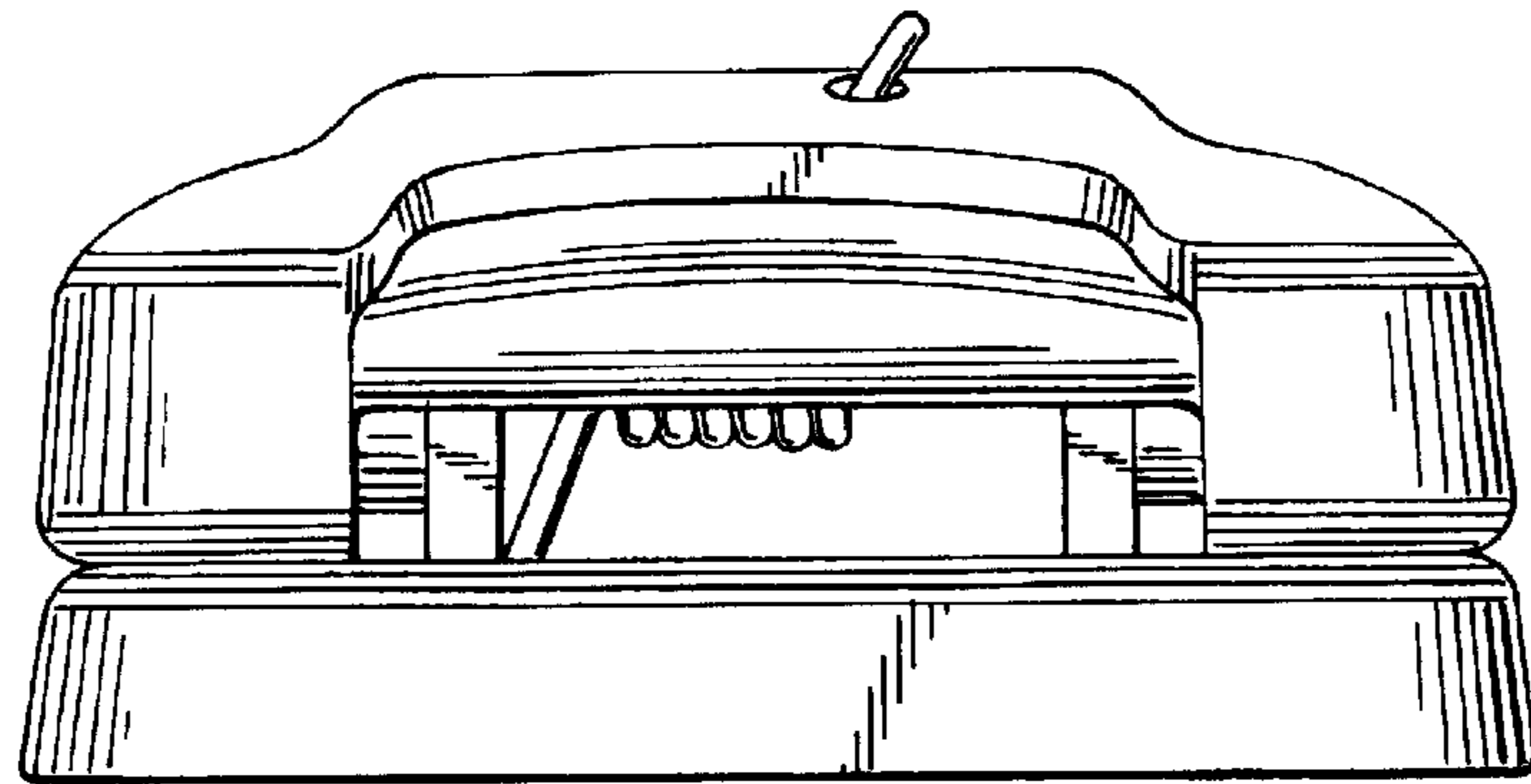


FIG. 8

