



US00D534498S

(12) **United States Design Patent**
Park

(10) **Patent No.:** **US D534,498 S**

(45) **Date of Patent:** **** Jan. 2, 2007**

(54) **CONNECTOR OF THE TEMPERATURE
SENSOR FOR OVEN RANGE**

(75) Inventor: **James Ji-Hong Park**, Seoul (KR)

(73) Assignee: **James Tech Co., Ltd.** (KR)

(**) Term: **14 Years**

(21) Appl. No.: **29/240,818**

(22) Filed: **Oct. 19, 2005**

(30) **Foreign Application Priority Data**

Sep. 28, 2005 (KR) 30-2005-0032807

(51) **LOC (8) Cl.** **13-03**

(52) **U.S. Cl.** **D13/151**

(58) **Field of Classification Search** D13/133,
D13/151, 146-149, 154, 184; D23/386; 174/87,
174/74 R; 439/161, 259, 266, 270, 278, 374,
439/483-485, 527, 476.1, 519, 775, 784,
439/801, 892, 894

See application file for complete search history.

(56) **References Cited**

U.S. PATENT DOCUMENTS

D240,933 S * 8/1976 Lemke D13/148
D252,927 S * 9/1979 Harris et al. D13/148
4,900,271 A * 2/1990 Colleran et al. 439/595
4,932,877 A * 6/1990 Zinn 439/839

D314,814 S * 2/1991 Lubeck D23/262
5,975,964 A * 11/1999 Seko et al. 439/857
6,165,026 A * 12/2000 Sugie et al. 439/748
D464,323 S * 10/2002 Harasawa et al. D13/154
D469,742 S * 2/2003 Michon et al. D13/151
D475,022 S * 5/2003 Kihira et al. D13/154
D495,662 S * 9/2004 Chawgo D13/156
2001/0002350 A1 * 5/2001 Kashiyama et al. 439/848
2001/0024913 A1 * 9/2001 Kitamura 439/852

* cited by examiner

Primary Examiner—Prabhakar Deshmukh

Assistant Examiner—Daniel Bui

(74) *Attorney, Agent, or Firm*—Irving Keschner

(57) **CLAIM**

The ornamental design for a connector of the temperature sensor for oven range, as shown.

DESCRIPTION

FIG. 1 is a perspective view of a connector of the temperature sensor or oven range, showing my new invention; FIG. 2 is a front elevational view thereof; FIG. 3 is a rear elevational view thereof; FIG. 4 is a left side elevational view thereof; FIG. 5 is a right side elevational view thereof; FIG. 6 is a top plan view thereof; and, FIG. 7 is a bottom view thereof.

1 Claim, 3 Drawing Sheets

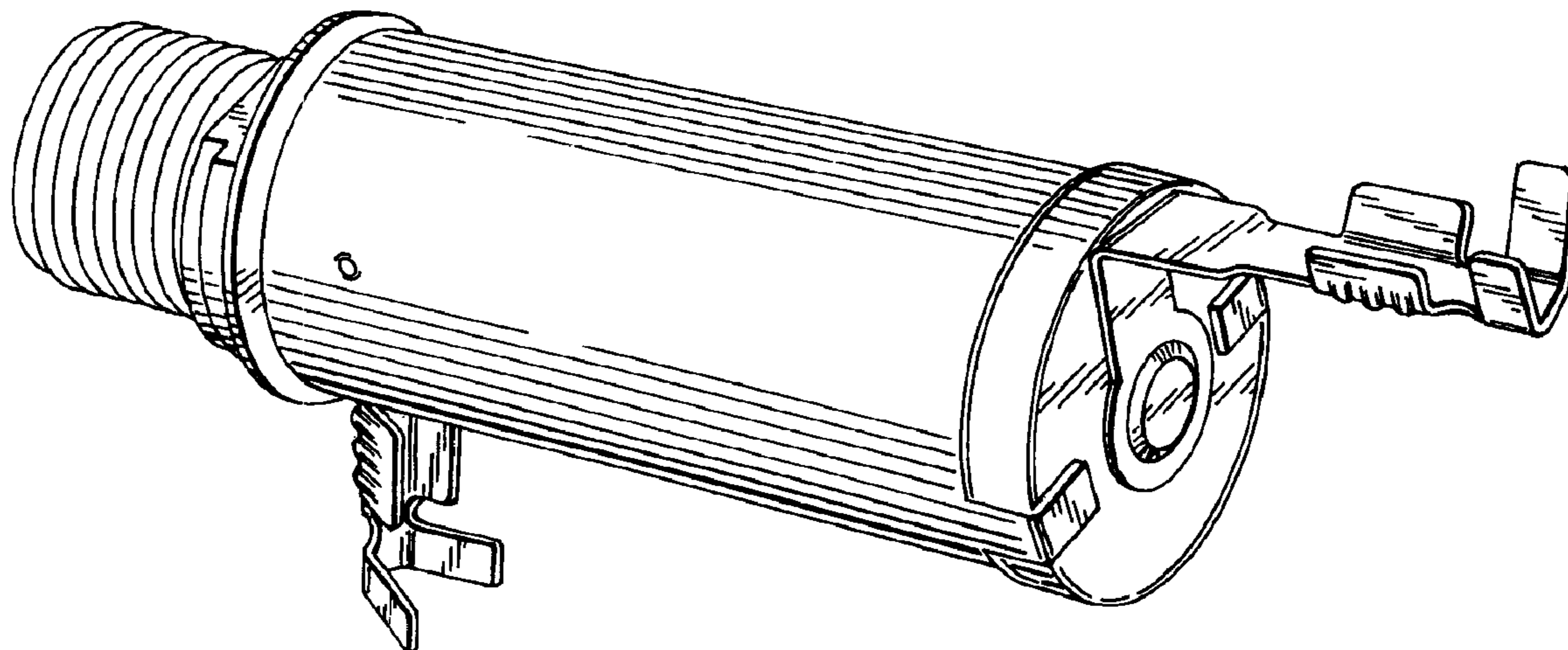


FIG. 1

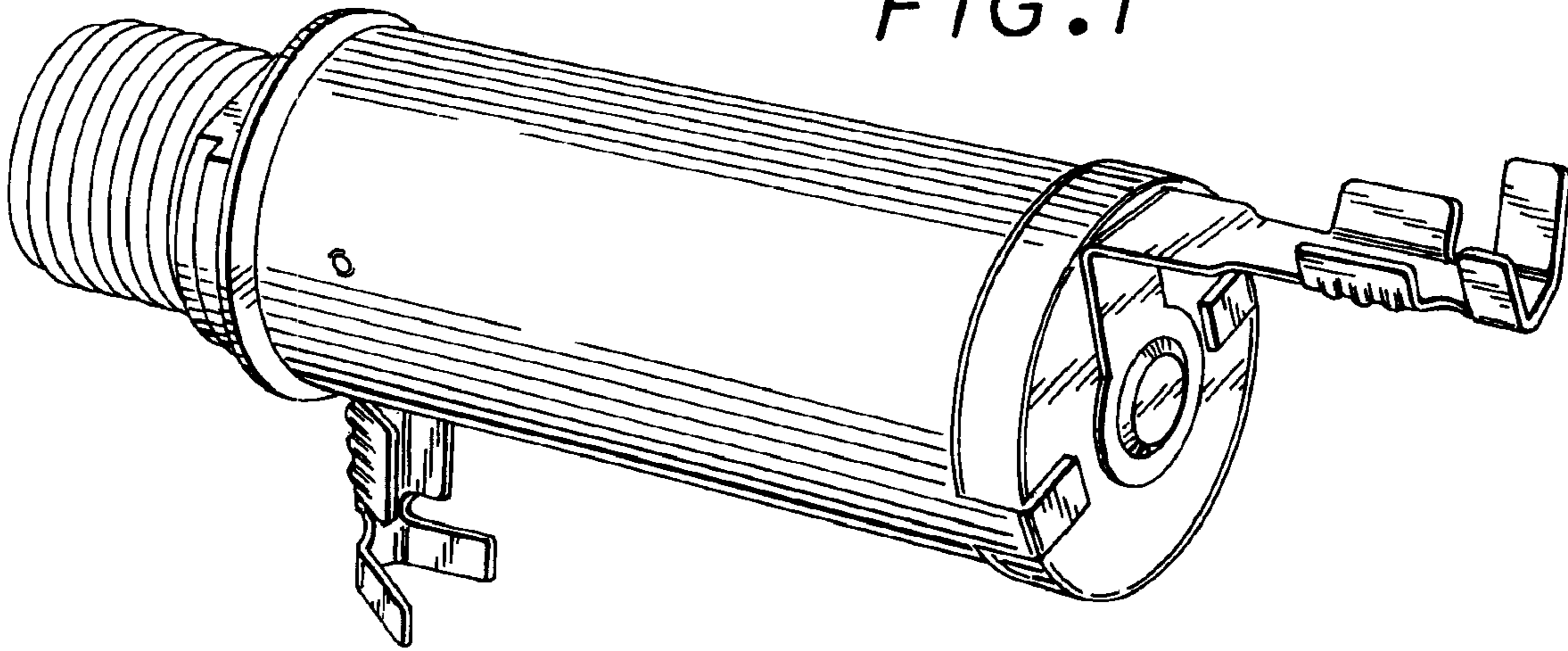


FIG. 2

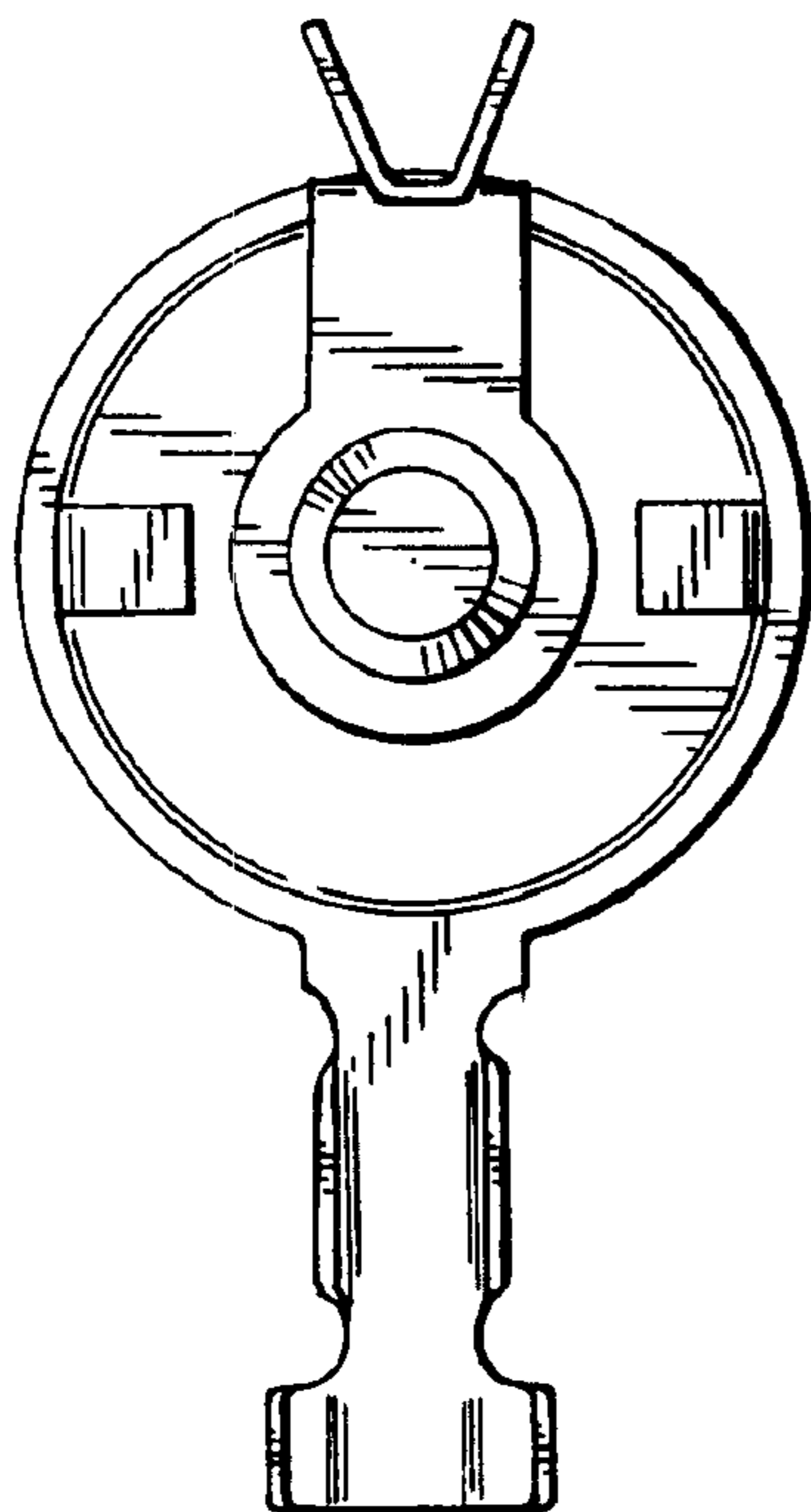
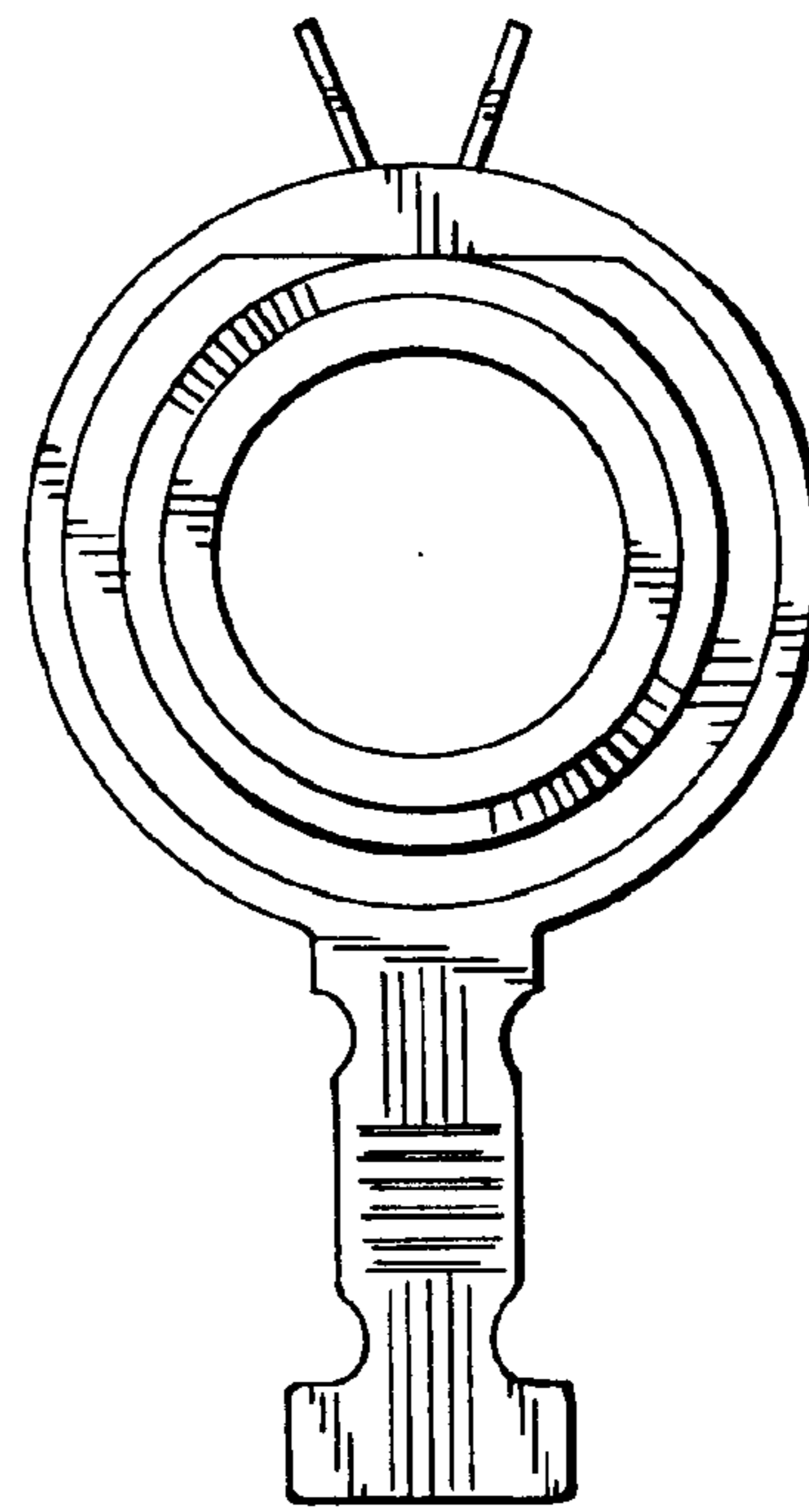


FIG. 3



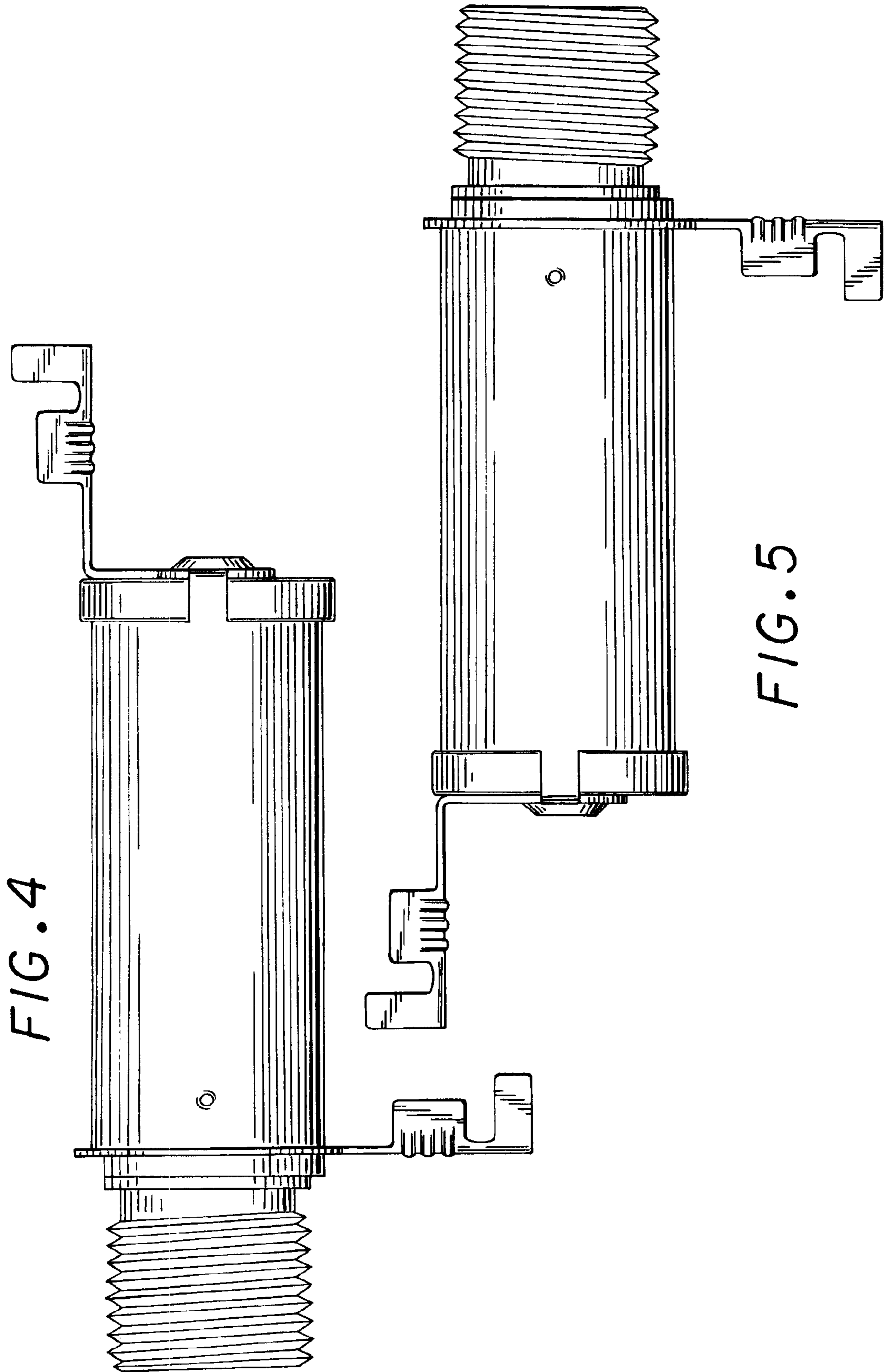


FIG. 4

FIG. 5

FIG. 6

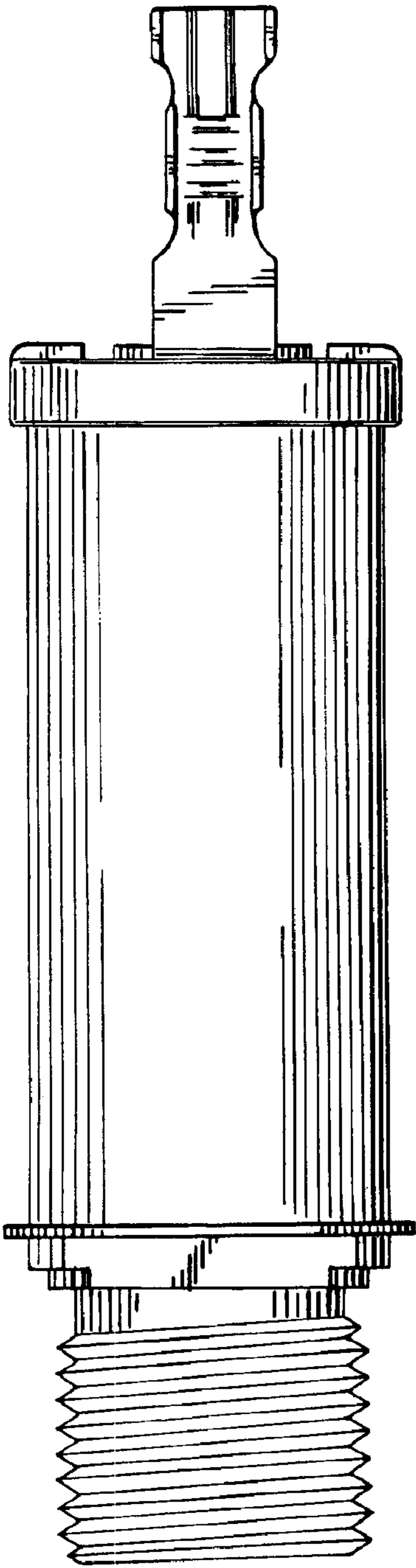


FIG. 7

