



US00D534497S

(12) **United States Design Patent**
Mazzullo et al.

(10) **Patent No.:** **US D534,497 S**

(45) **Date of Patent:** **** Jan. 2, 2007**

(54) **ELECTRICAL COUPLER**

(75) Inventors: **Ray Mazzullo**, Constantia (ZA); **Johan Du Toit**, Rondebosch (ZA); **Adrian Mazzullo**, Constantia (ZA); **Graeme Eric Farham**, Parklands (ZA)

(73) Assignee: **Power Logic Holdings AG**, Aarau (CH)

(**) Term: **14 Years**

(21) Appl. No.: **29/188,836**

(22) Filed: **Aug. 26, 2003**

(30) **Foreign Application Priority Data**

Feb. 27, 2003 (ZA) A2003/00184

(51) **LOC (8) Cl.** **13-03**

(52) **U.S. Cl.** **D13/146; D13/147; D13/133**

(58) **Field of Classification Search** D13/133, D13/146-147, 149, 154, 184, 199; 439/95, 439/352, 445, 447, 449, 483, 607-610, 669
See application file for complete search history.

(56) **References Cited**

U.S. PATENT DOCUMENTS

D347,208 S * 5/1994 Martin et al. D13/133
D415,733 S * 10/1999 Wu D13/146
D434,376 S * 11/2000 Connelly D13/133

D470,458 S * 2/2003 Zdinak et al. D13/133
6,520,796 B1 * 2/2003 Reichle 439/491
D488,130 S * 4/2004 Hsiao D13/145
D494,934 S * 8/2004 Milan D13/133
D507,779 S * 7/2005 Mazzullo et al. D13/146
D508,462 S * 8/2005 Mazzullo et al. D13/146
6,932,641 B1 * 8/2005 Liao 439/460

* cited by examiner

Primary Examiner—Prabhakar Deshmukh

Assistant Examiner—Daniel Bui

(74) *Attorney, Agent, or Firm*—Bingham McCutchen LLP

(57) **CLAIM**

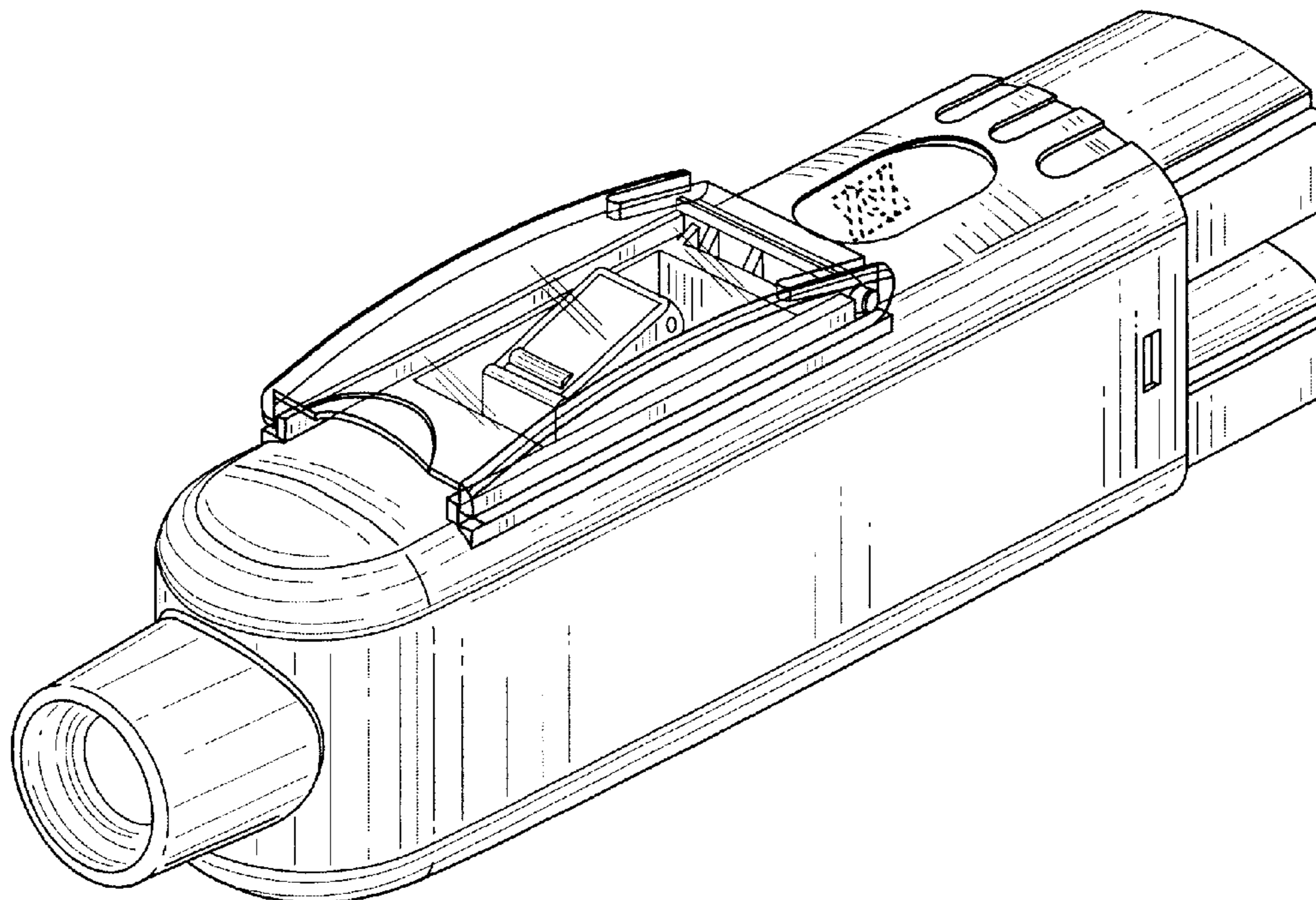
The ornamental design for an electrical coupler, as shown and described.

DESCRIPTION

FIG. 1 is a top, rear and right side perspective view of an electrical coupler, showing our new design;
FIG. 2 is a top plan view thereof;
FIG. 3 is a bottom plan view thereof;
FIG. 4 is a right side elevation view thereof;
FIG. 5 is a left side elevation view thereof;
FIG. 6 is a rear elevation view thereof; and,
FIG. 7 is a front elevation view thereof.

The broken line showing of the environment is for illustrative purposes only and forms no part of the claimed design.

1 Claim, 6 Drawing Sheets



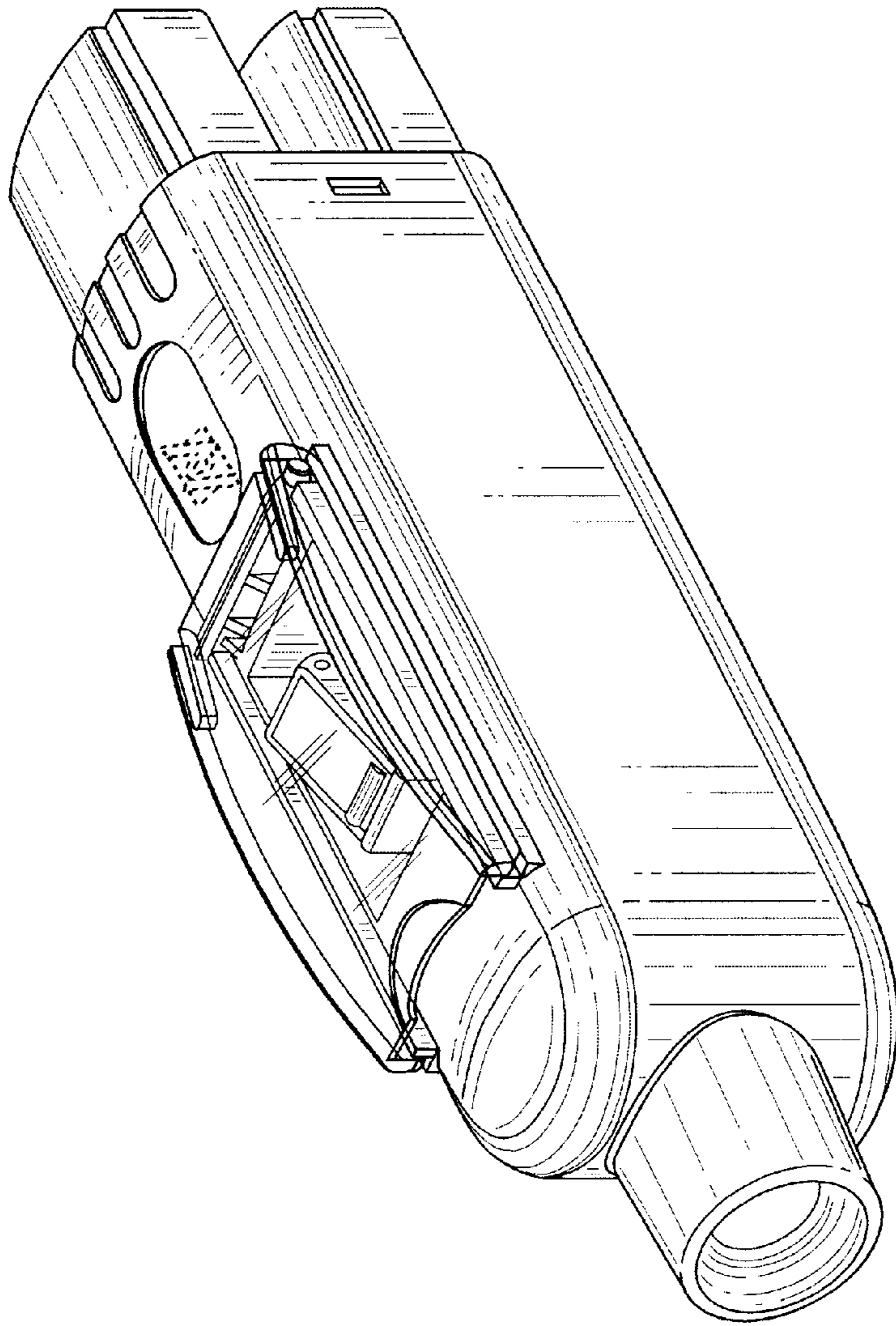


FIG. 1

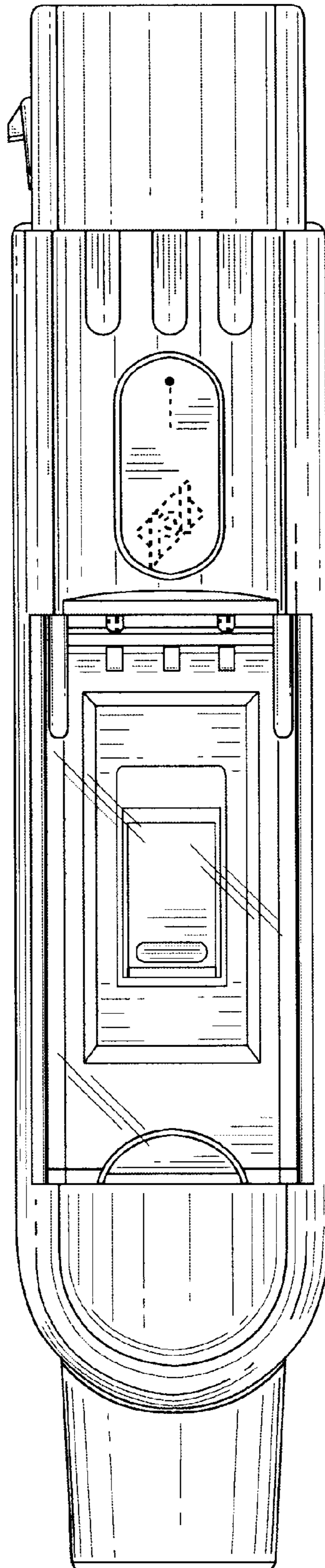


FIG. 2

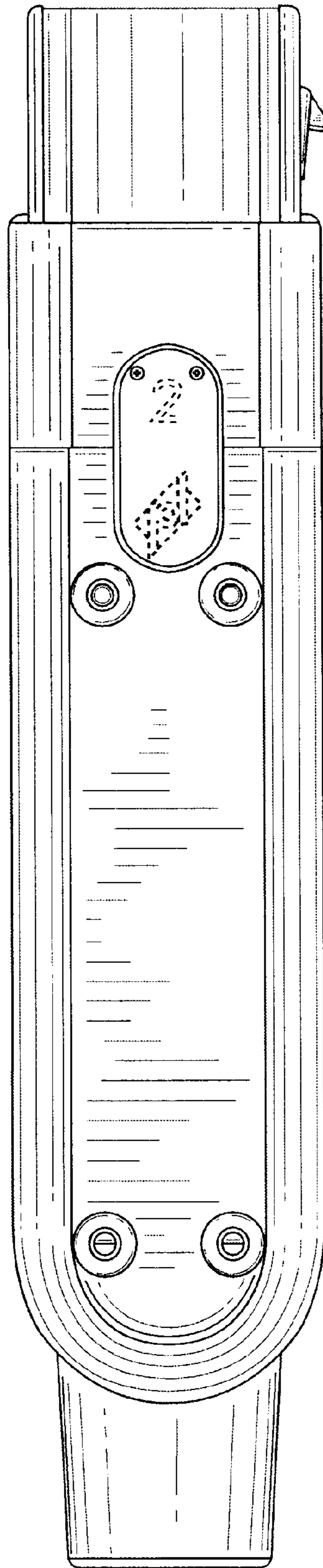


FIG. 3

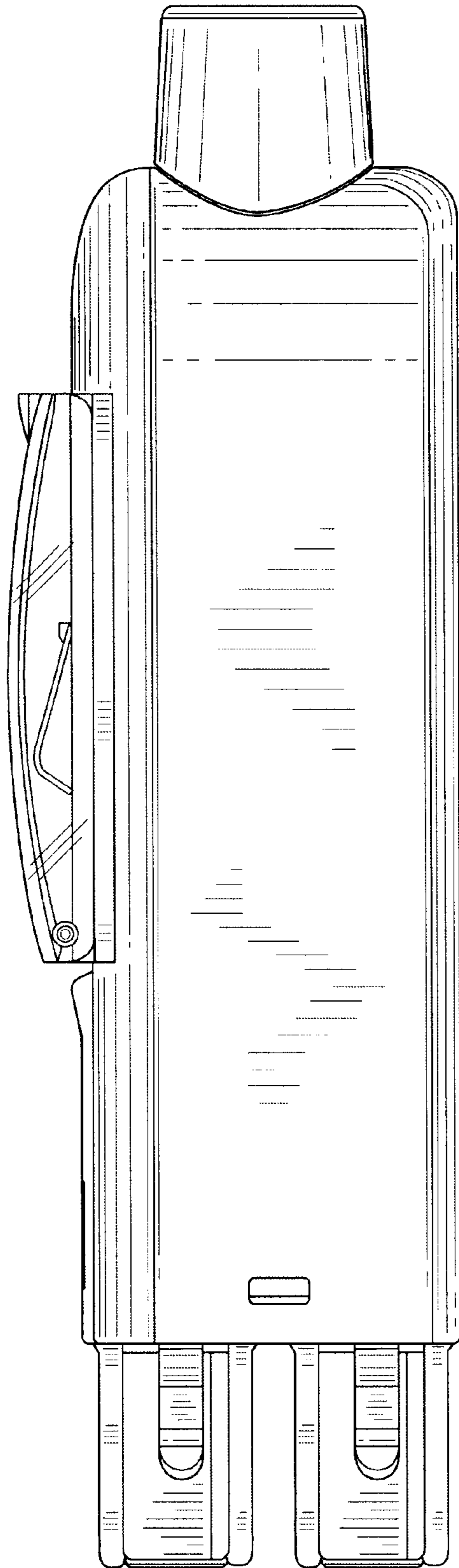


FIG. 4

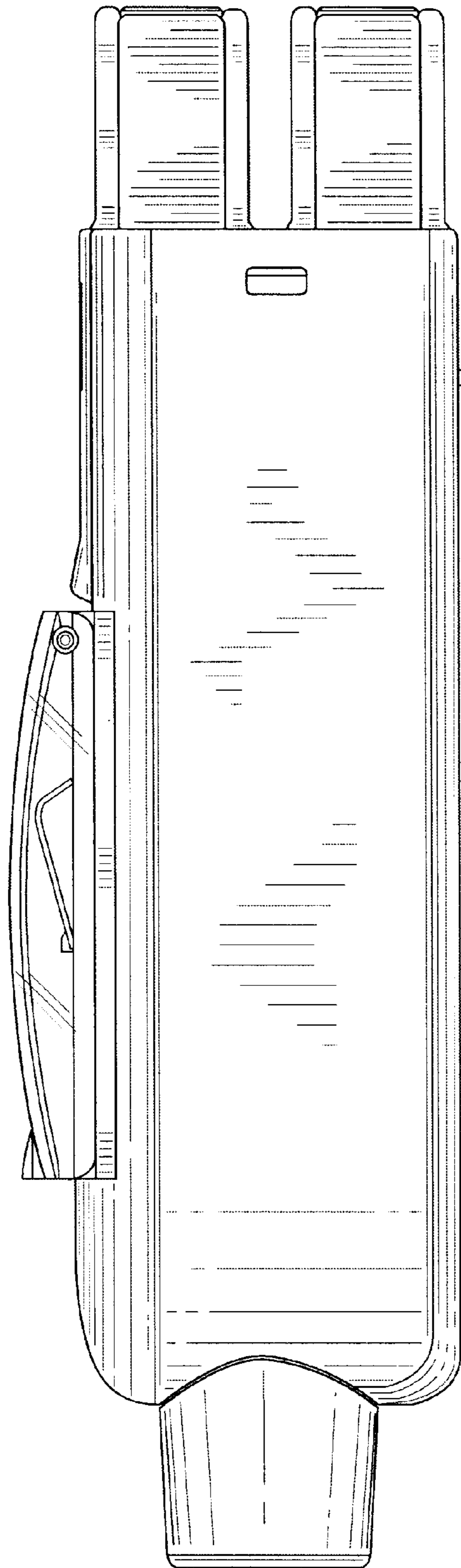


FIG. 5

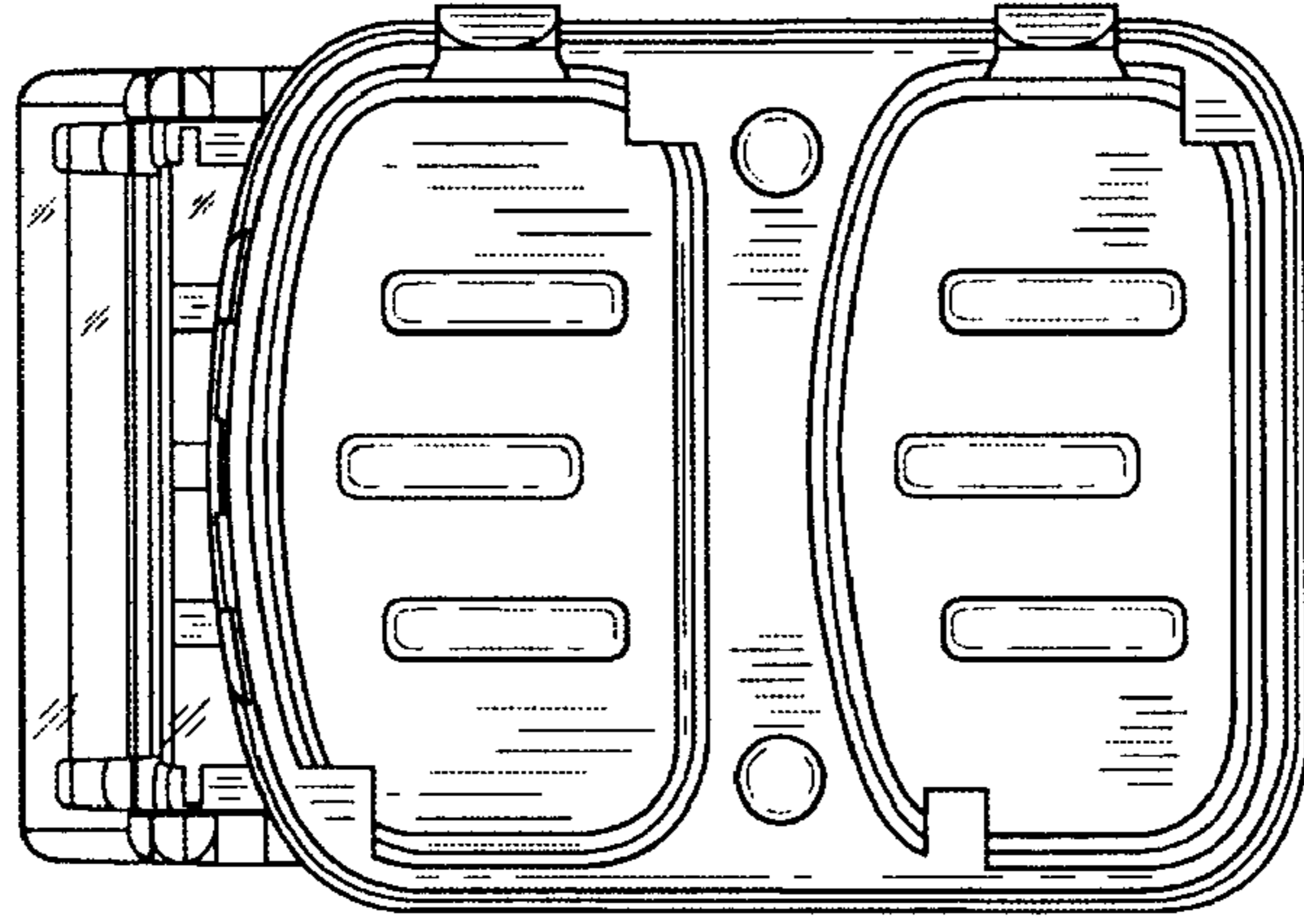


FIG. 7

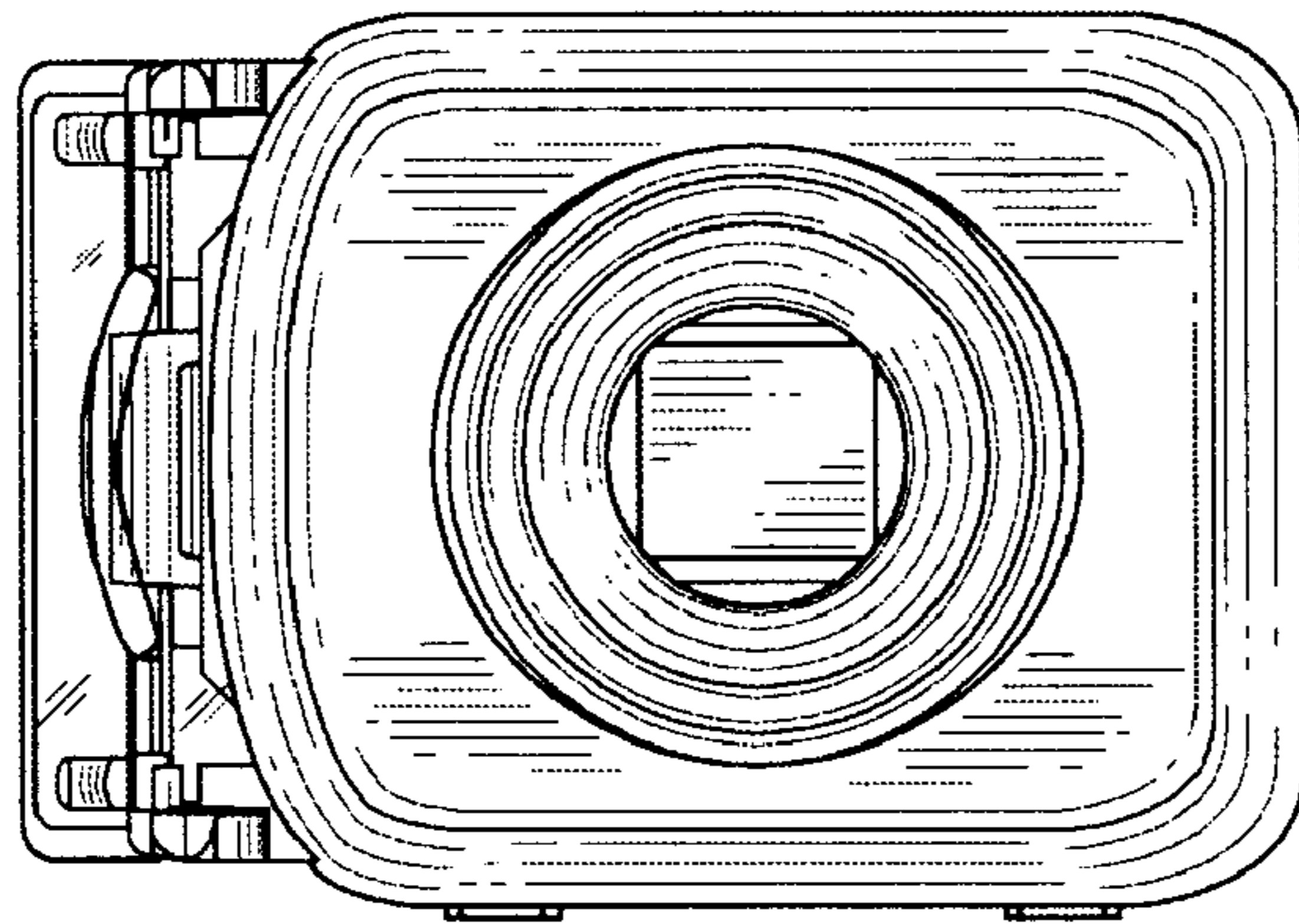


FIG. 6