



US00D534495S

(12) **United States Design Patent**
Gershfeld

(10) **Patent No.:** **US D534,495 S**

(45) **Date of Patent:** **** Jan. 2, 2007**

(54) **INTERCONNECT ENCLOSURE FOR
COMPUTER AND AUDIO VISUAL
EQUIPMENT CONCEALABLE IN A TABLE
TOP**

D515,033 S * 2/2006 Petrick et al. D13/139.4
D515,034 S * 2/2006 Petrick et al. D13/139.4

* cited by examiner

(76) Inventor: **Jack Gershfeld**, 615 Del Rio Way,
Fullerton, CA (US) 92835

Primary Examiner—Alan P. Douglas

Assistant Examiner—Rosemary K. Tarcza

(74) *Attorney, Agent, or Firm*—Vladimir Khiterer

(**) Term: **14 Years**

(57) **CLAIM**

(21) Appl. No.: **29/253,870**

The ornamental design for an interconnect enclosure for computer and audio visual equipment concealable in a table top, as shown and described.

(22) Filed: **Feb. 15, 2006**

(51) **LOC (8) Cl.** **13-03**

(52) **U.S. Cl.** **D13/139.4**

(58) **Field of Classification Search** D13/139.4,
D13/162, 164, 184; D14/304; 200/5 R, 5 A;
361/627, 628, 631, 643, 644, 673
See application file for complete search history.

DESCRIPTION

FIG. 1 is a perspective view of an interconnect enclosure for computer and audio visual equipment concealable in a table top in an open position, said perspective view showing a front view, a right side view and a top view thereof. The broken lines are to illustrate environment only and form no part of the claimed design.

(56) **References Cited**

U.S. PATENT DOCUMENTS

- 2,811,574 A * 10/1957 Guerrero 174/57
- D213,372 S * 2/1969 Gross D13/162
- 3,622,684 A * 11/1971 Press 174/486
- D437,827 S 2/2001 Gershfeld
- D442,143 S * 5/2001 Gershfeld D13/139.4
- D446,188 S 8/2001 Gershfeld
- D449,819 S * 10/2001 Gershfeld D13/139.4
- D456,357 S * 4/2002 Gershfeld D13/139.4
- D457,137 S * 5/2002 Gershfeld D13/139.4
- D475,016 S * 5/2003 Gershfeld D13/139.4
- D484,097 S * 12/2003 Drane et al. D13/139.4
- D508,236 S * 8/2005 Duke et al. D13/184
- D512,964 S * 12/2005 Kissinger et al. D13/139.4

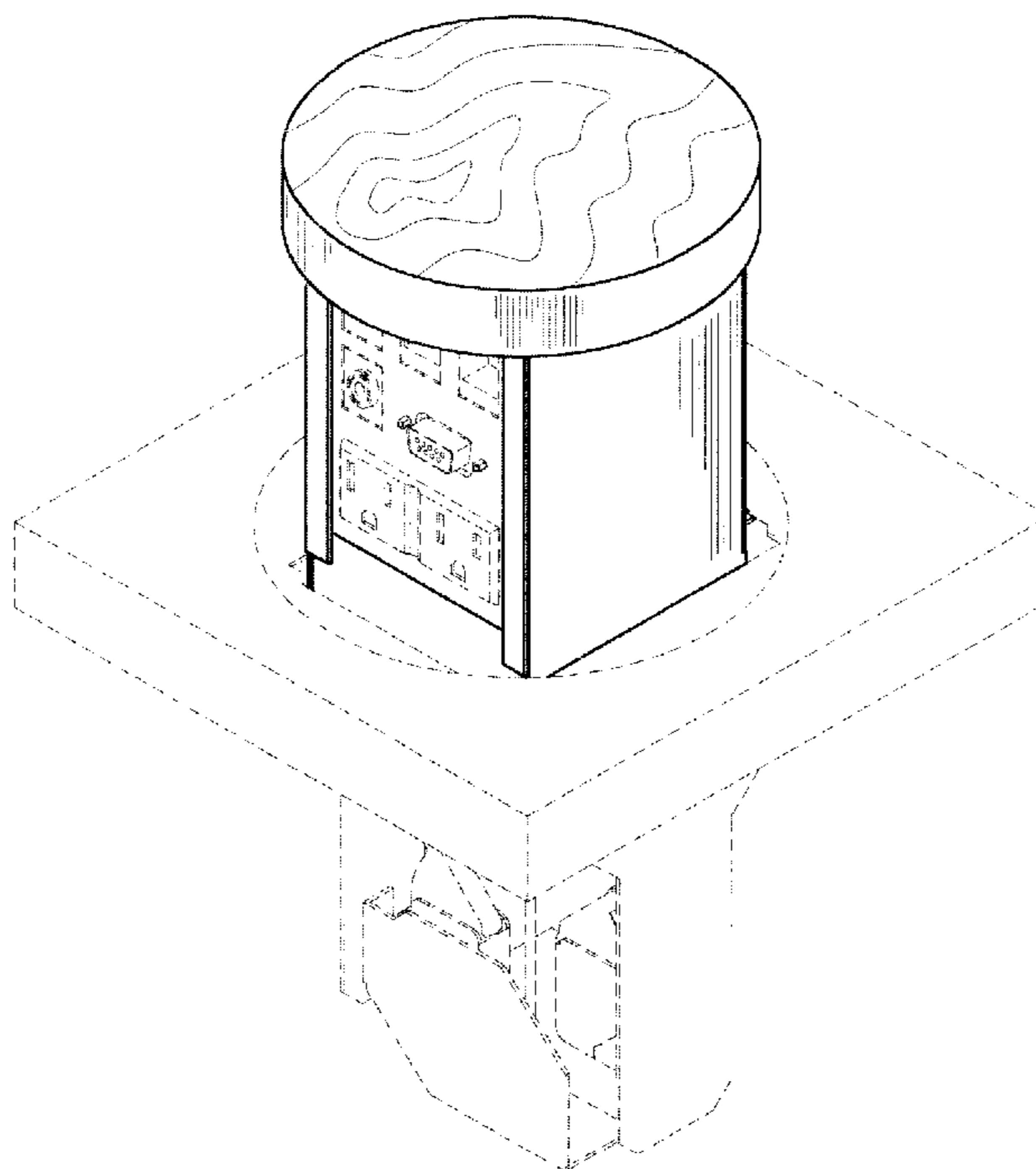
FIG. 2 is a perspective view thereof in a concealed position. The broken lines are to illustrate an environment only and form no part of the claimed design.

FIG. 3 is a front elevational view thereof in the open position, wherein a back view is a mirror image of the front view. The broken lines are to illustrate an environment only and form no part of the claimed design; and,

FIG. 4 is a top plan view thereof in the concealed position. The broken lines are to illustrate an environment only and form no part of the claimed design.

The appearance of the bottom forms no part of the claimed design.

1 Claim, 4 Drawing Sheets



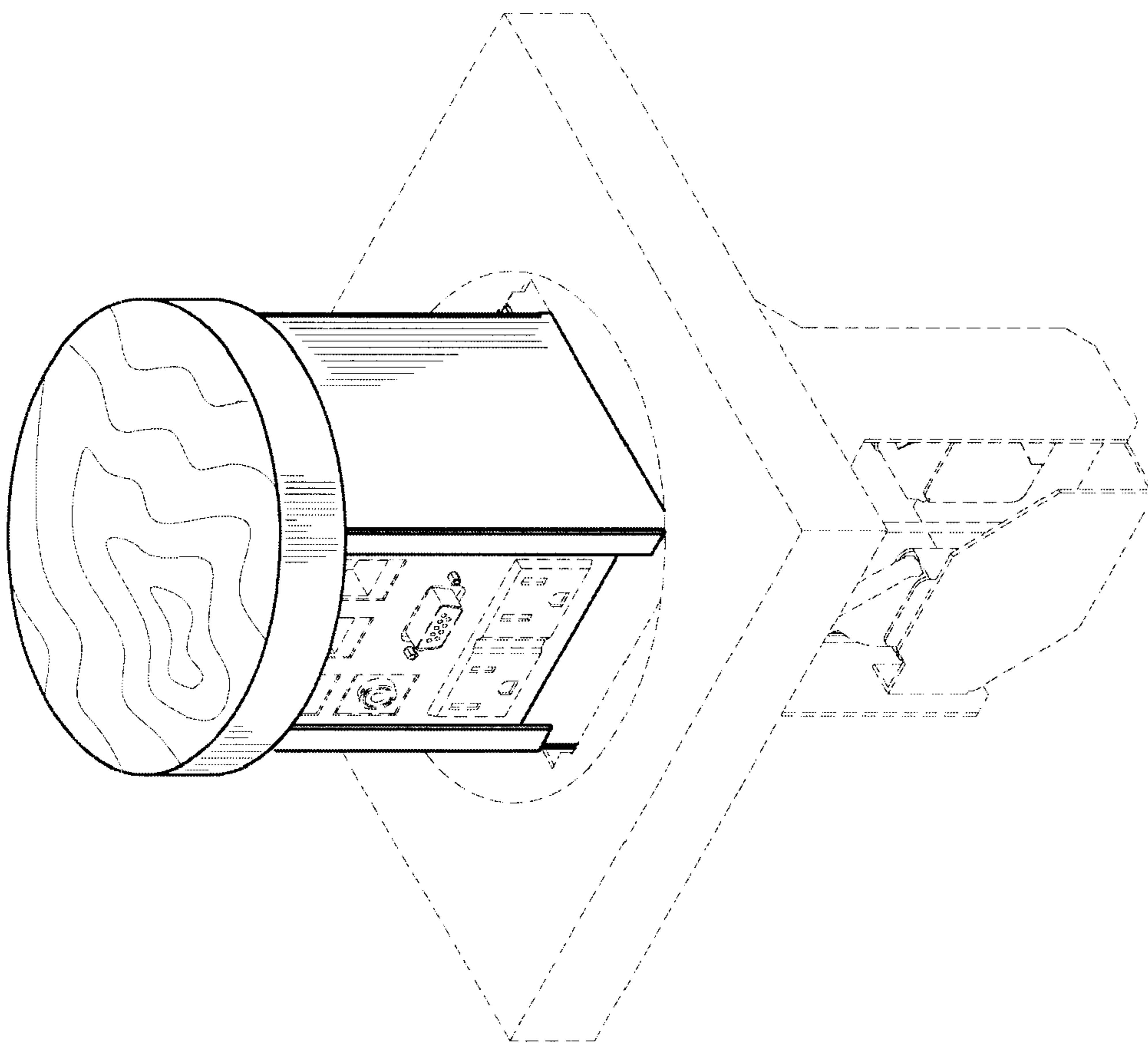


FIG. 1

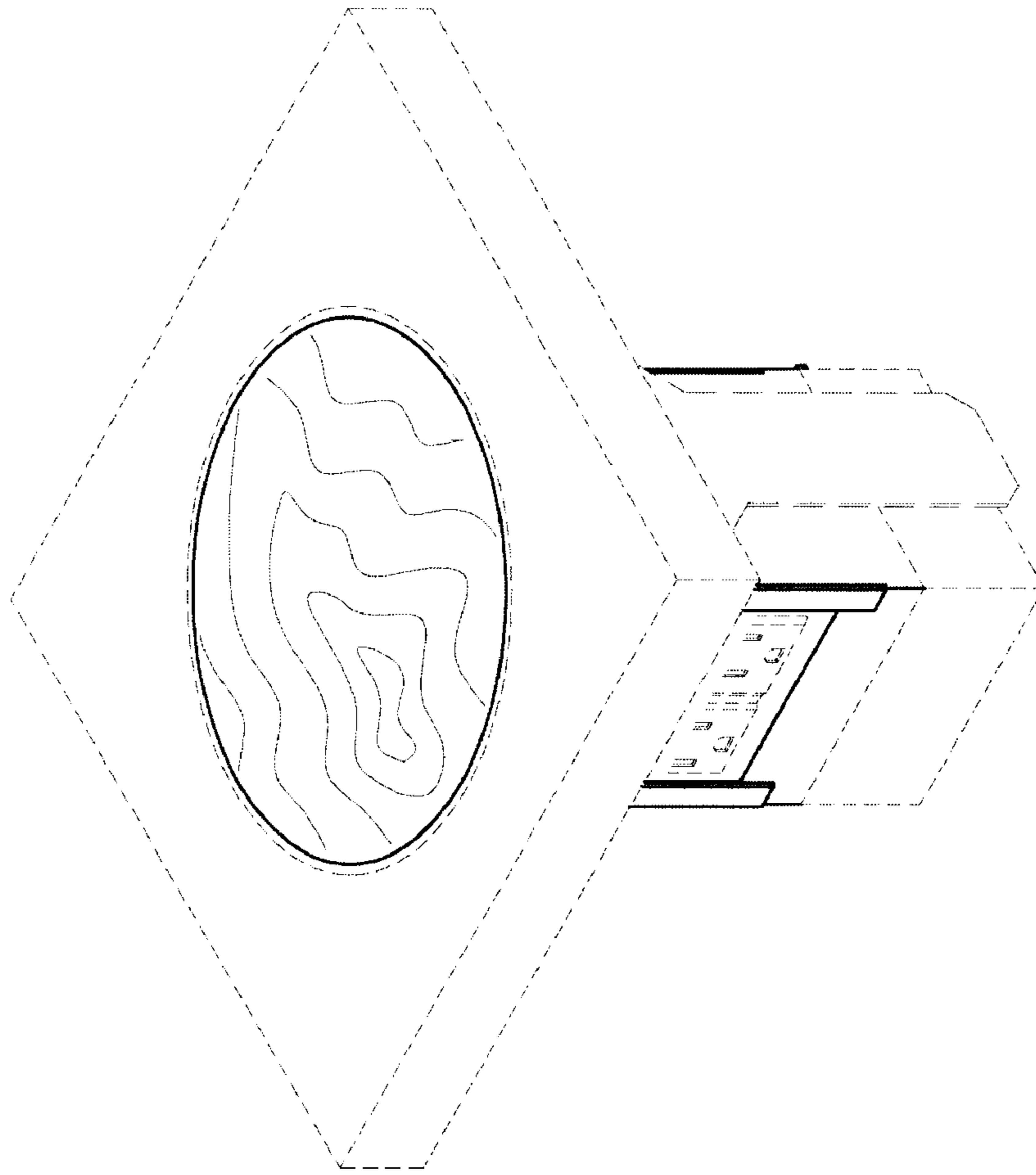


FIG. 2

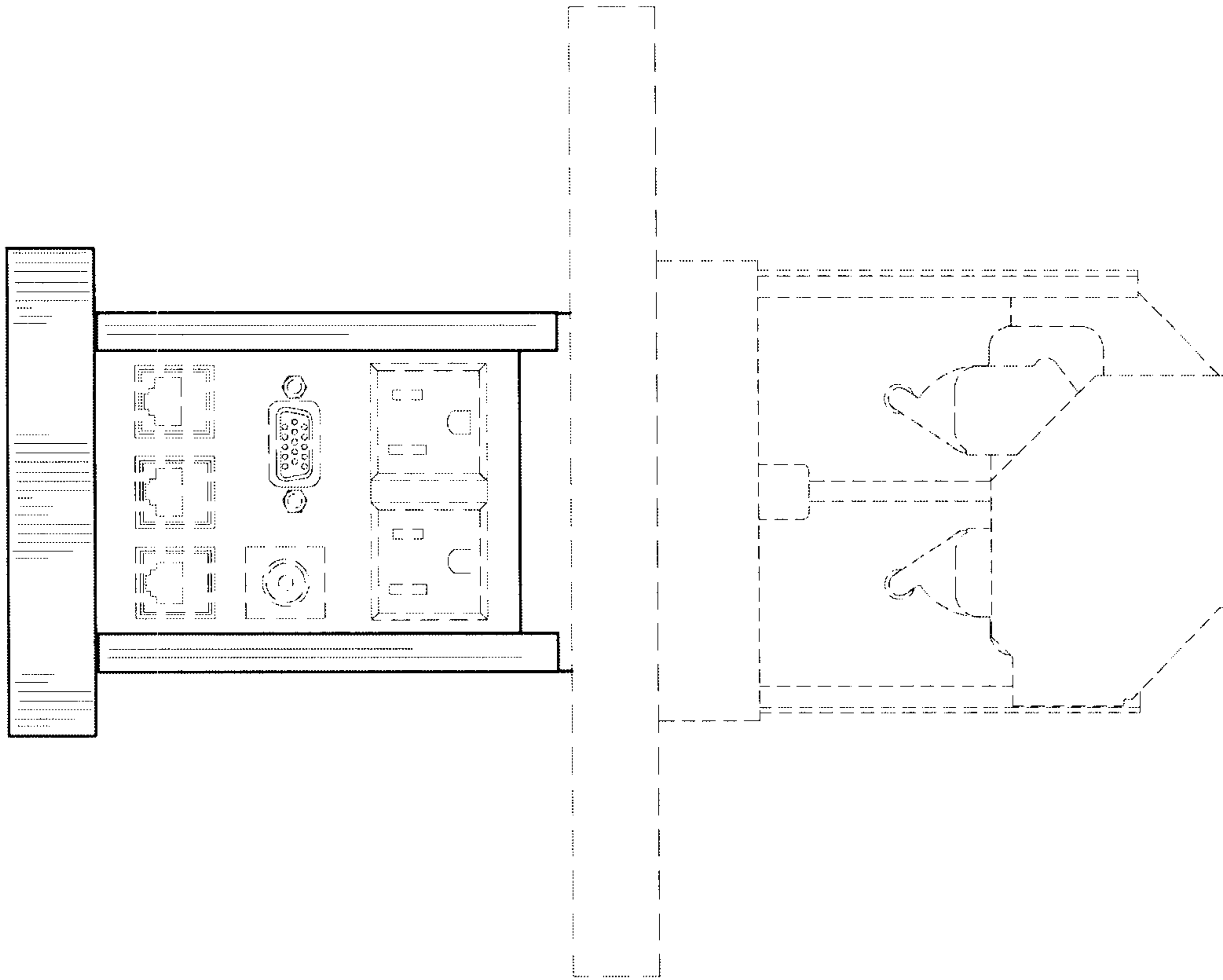


FIG. 3

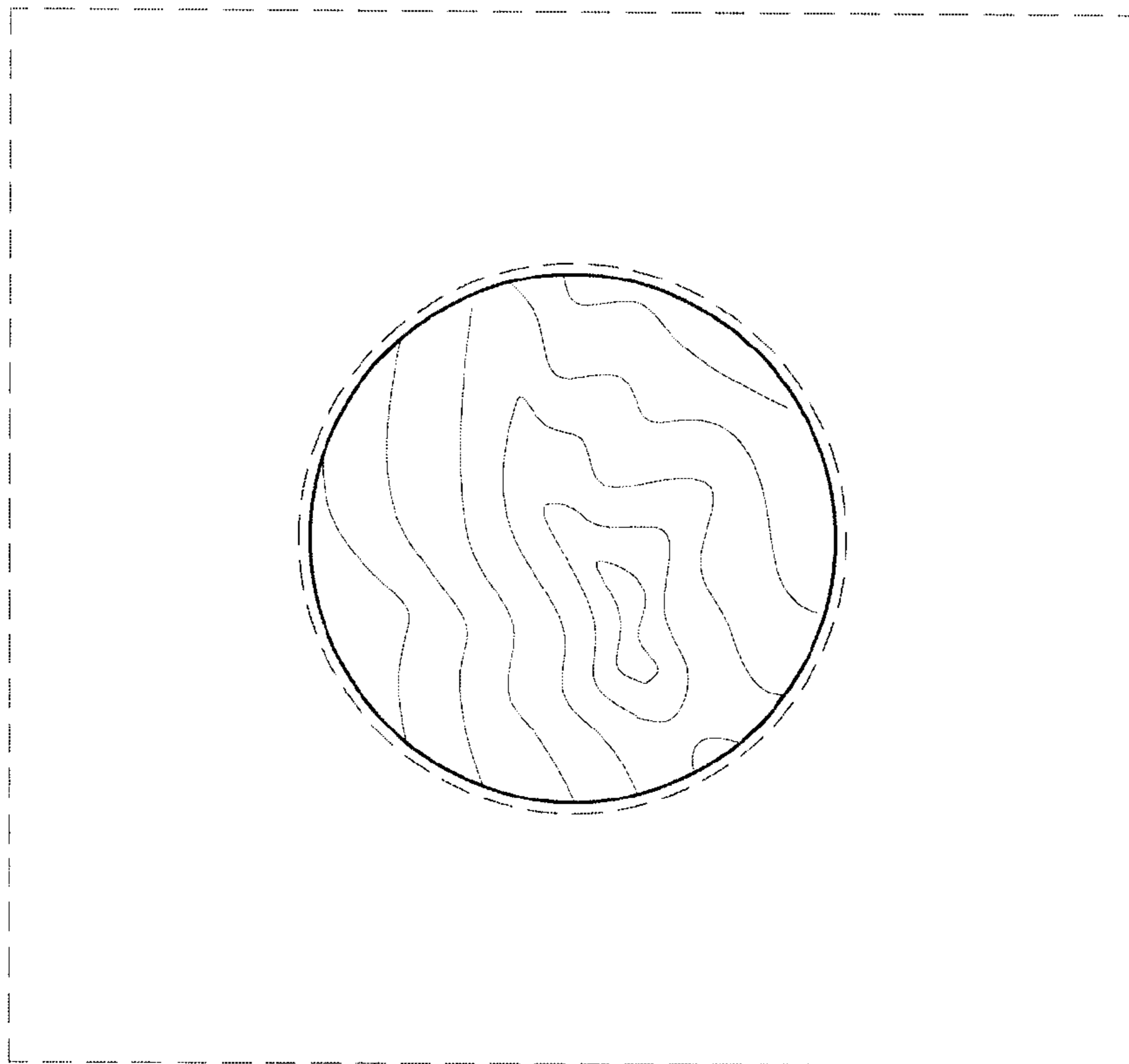


FIG. 4