



US00D534494S

(12) **United States Design Patent**
Li

(10) **Patent No.:** **US D534,494 S**

(45) **Date of Patent:** **** Jan. 2, 2007**

(54) **AUDIO JACK CONNECTOR**

(75) **Inventor:** **Yun Chien Li, Tu-Cheng (TW)**

(73) **Assignee:** **Cheng Uei Precision Industry Co., Ltd., Taipei Hsien (TW)**

(**) **Term:** **14 Years**

(21) **Appl. No.:** **29/258,220**

(22) **Filed:** **Apr. 19, 2006**

(51) **LOC (8) Cl.** **13-03**

(52) **U.S. Cl.** **D13/133**

(58) **Field of Classification Search** D13/133,
D13/154, 185, 199; 439/78-79, 83, 188,
439/567, 607, 609, 668, 669, 748, 939
See application file for complete search history.

(56) **References Cited**

U.S. PATENT DOCUMENTS

D414,463 S	*	9/1999	Wu	D13/133
6,050,854 A	*	4/2000	Fang et al.	439/607
6,077,126 A	*	6/2000	Peng	439/668
6,190,205 B1	*	2/2001	Wu	439/607
D451,472 S	*	12/2001	Suzuki	D13/133

D454,840 S	*	3/2002	Ohbayashi et al.	D13/133
D459,303 S	*	6/2002	Florescu	D13/133
6,595,804 B1	*	7/2003	Nagata	439/668
D507,531 S	*	7/2005	Suzuki	D13/133
2006/0083399 A1	*	4/2006	Yang	381/384

* cited by examiner

Primary Examiner—Nanda Bondade

Assistant Examiner—Daniel Bui

(74) *Attorney, Agent, or Firm*—Rosenberg, Klein & Lee

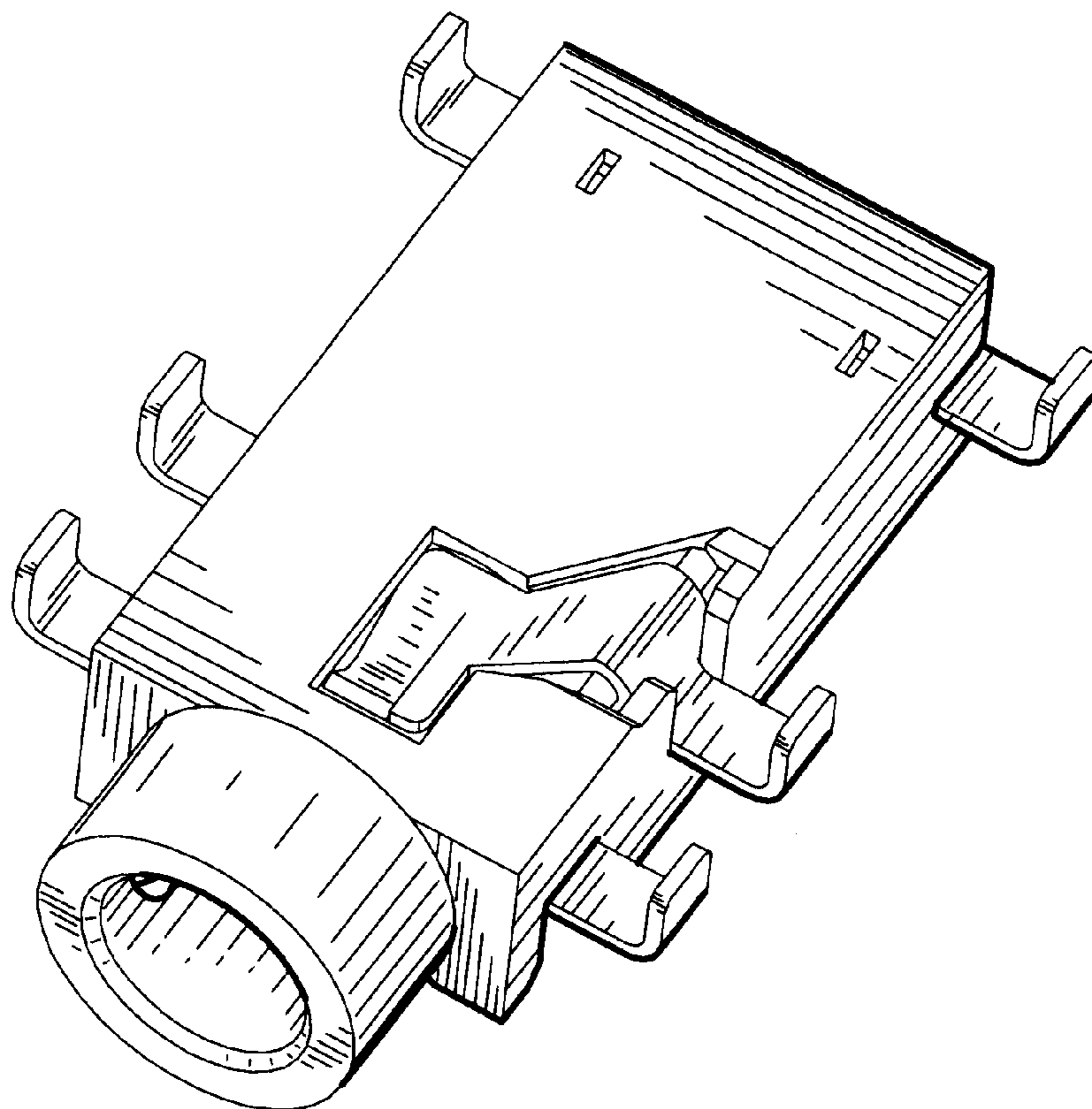
(57) **CLAIM**

The ornamental design for an audio jack connector, as shown and described.

DESCRIPTION

FIG. 1 is a perspective view of an audio jack connector showing my new design;
FIG. 2 is a front elevational view thereof;
FIG. 3 is a rear elevational view thereof;
FIG. 4 is a left side elevational view thereof;
FIG. 5 is a right side elevational view thereof;
FIG. 6 is a top plan view thereof; and,
FIG. 7 is a bottom plan view thereof.

1 Claim, 7 Drawing Sheets



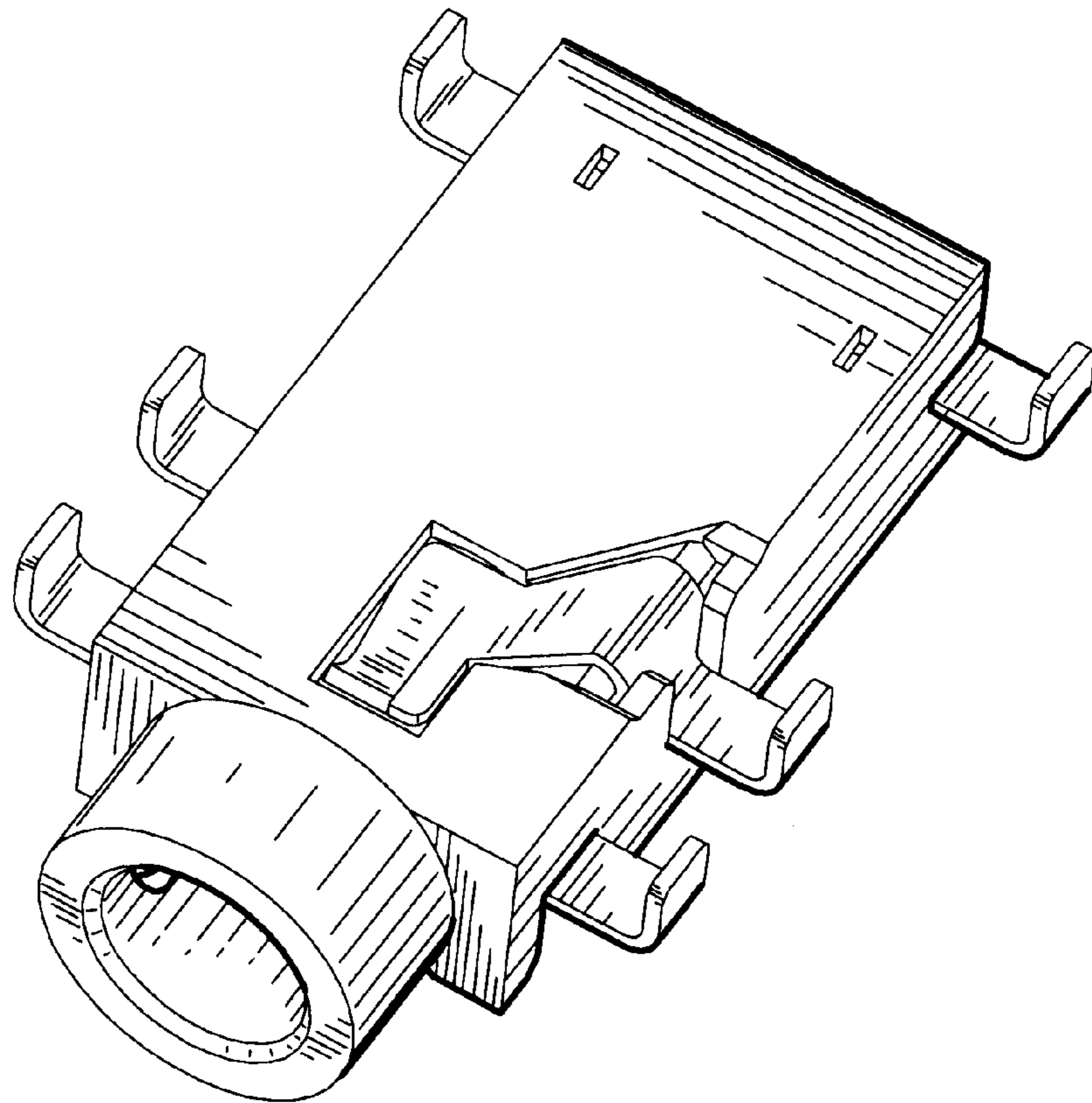


FIG. 1

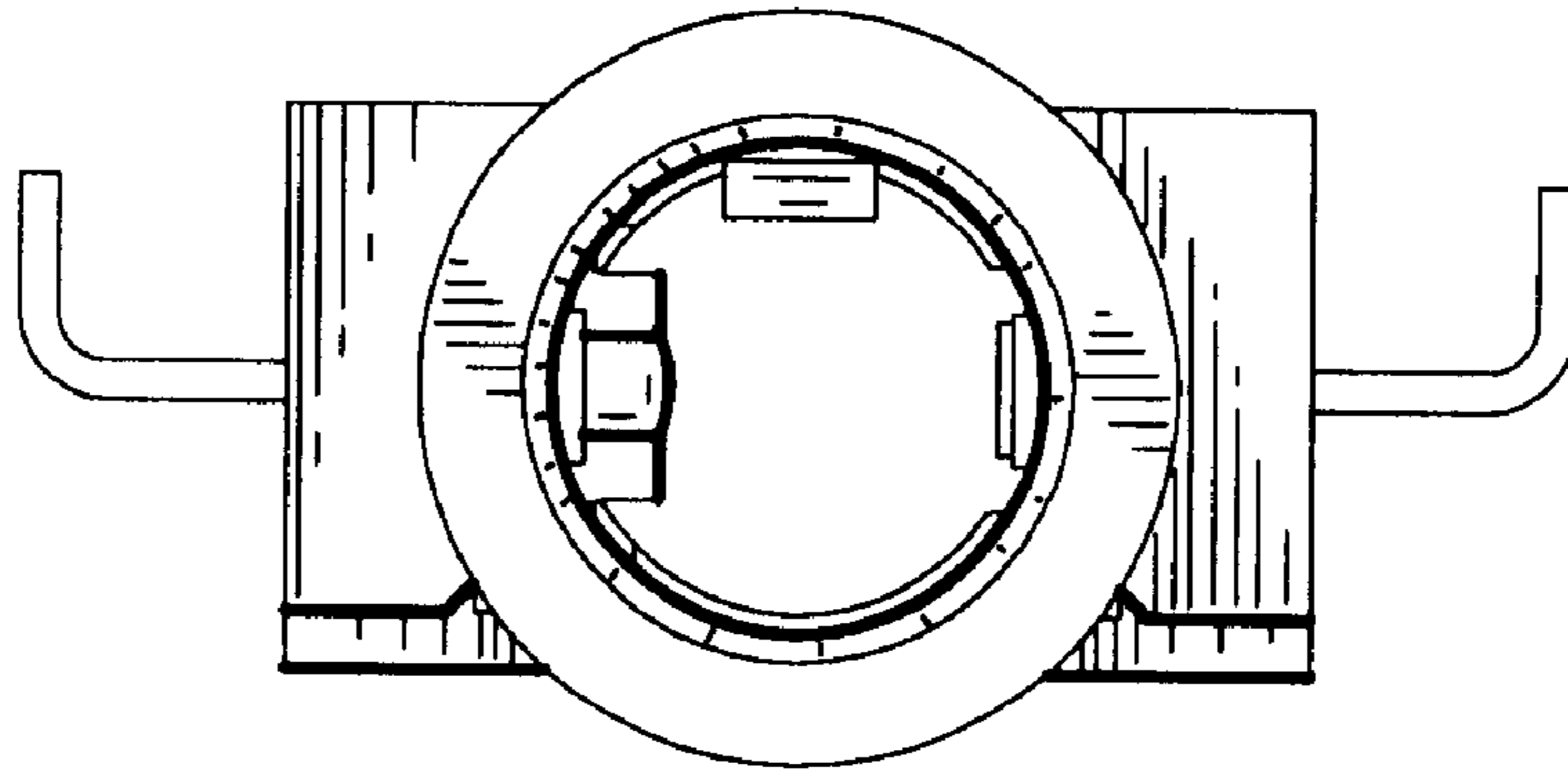


FIG. 2

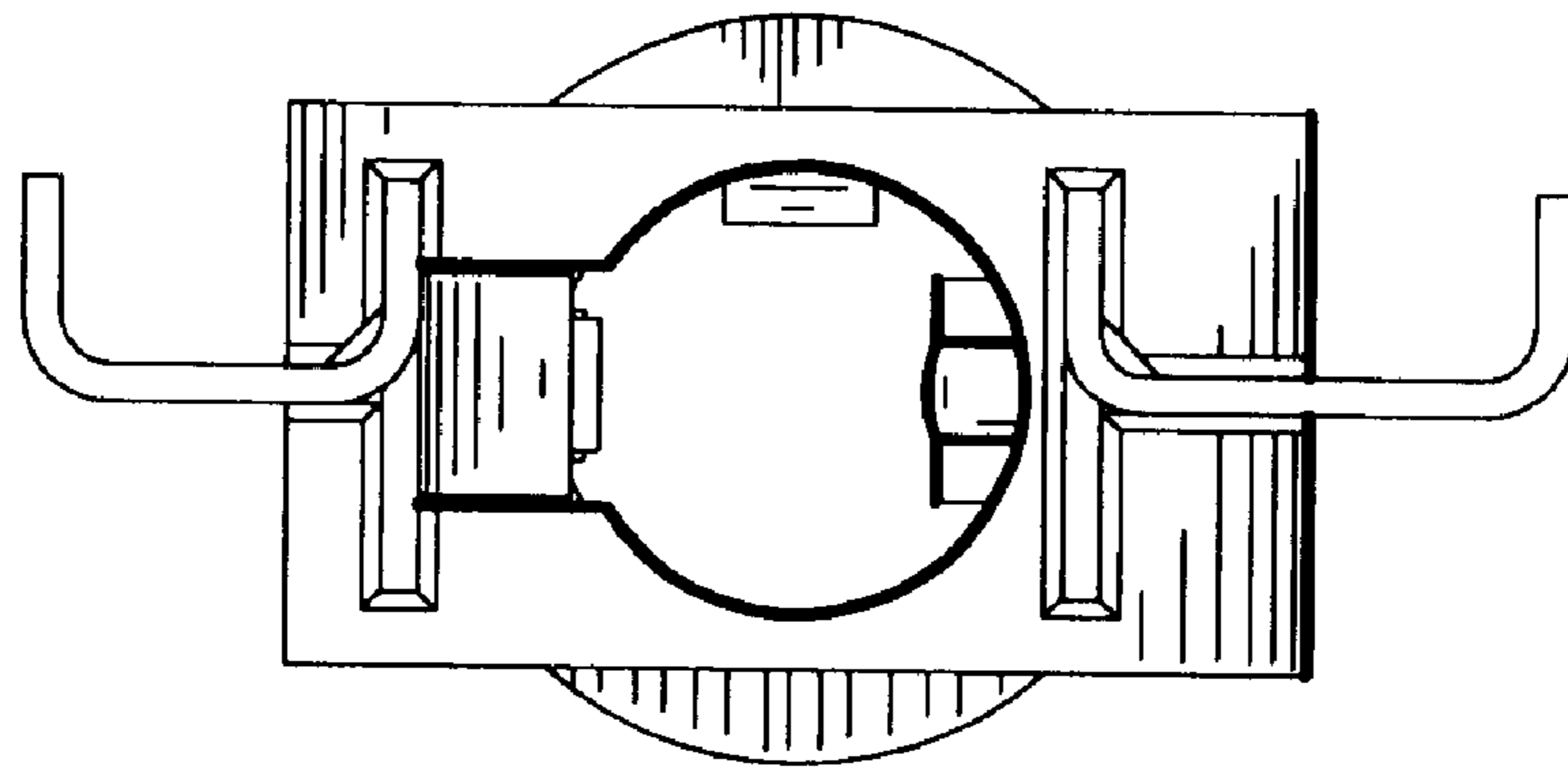


FIG. 3

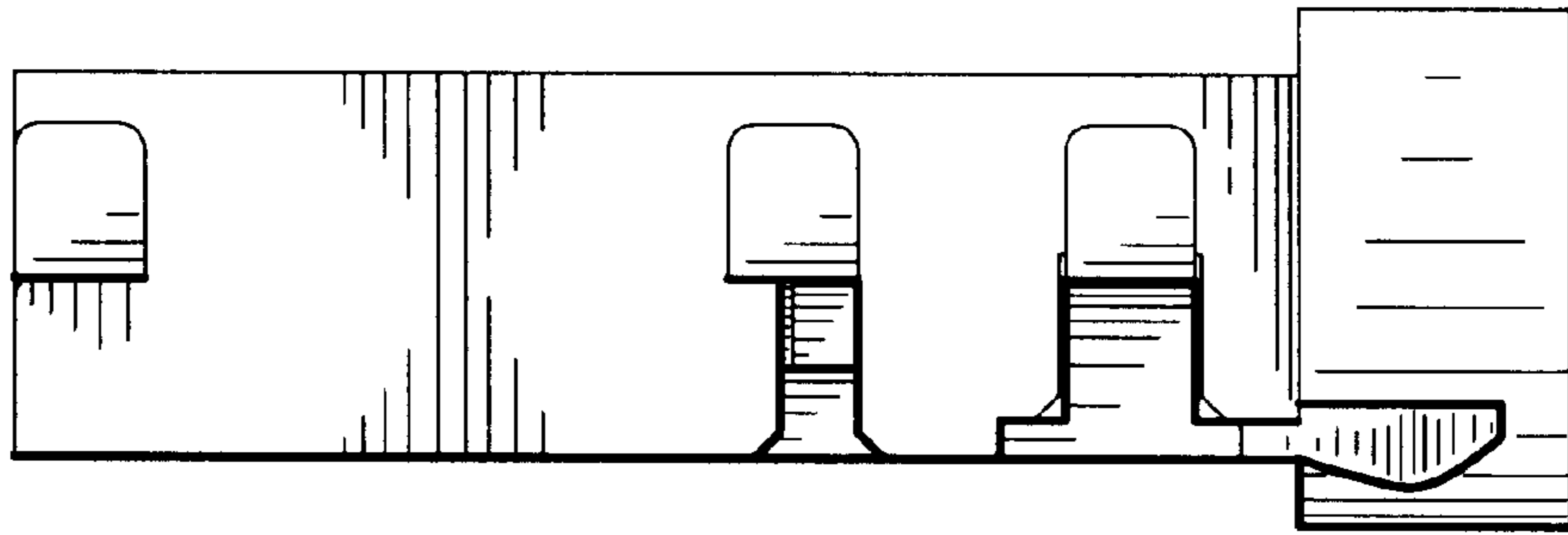


FIG. 4

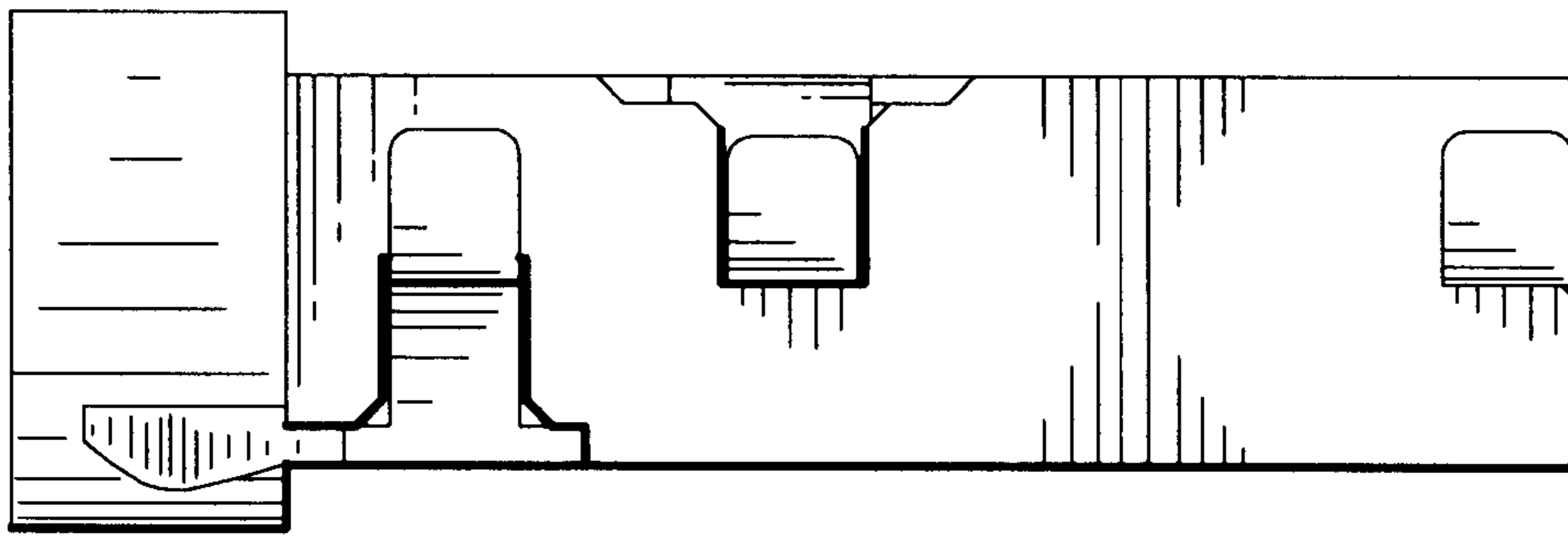


FIG. 5

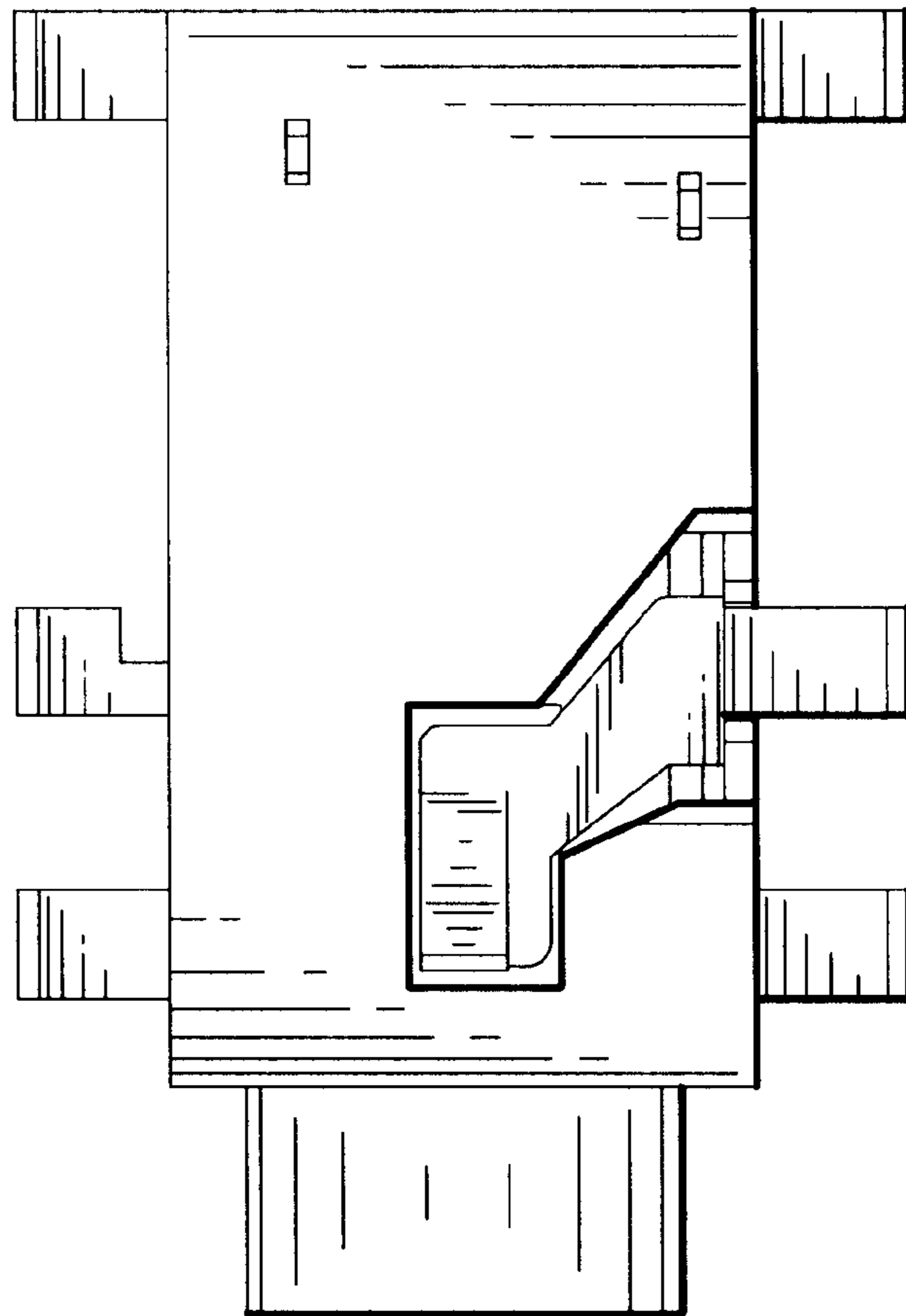


FIG. 6

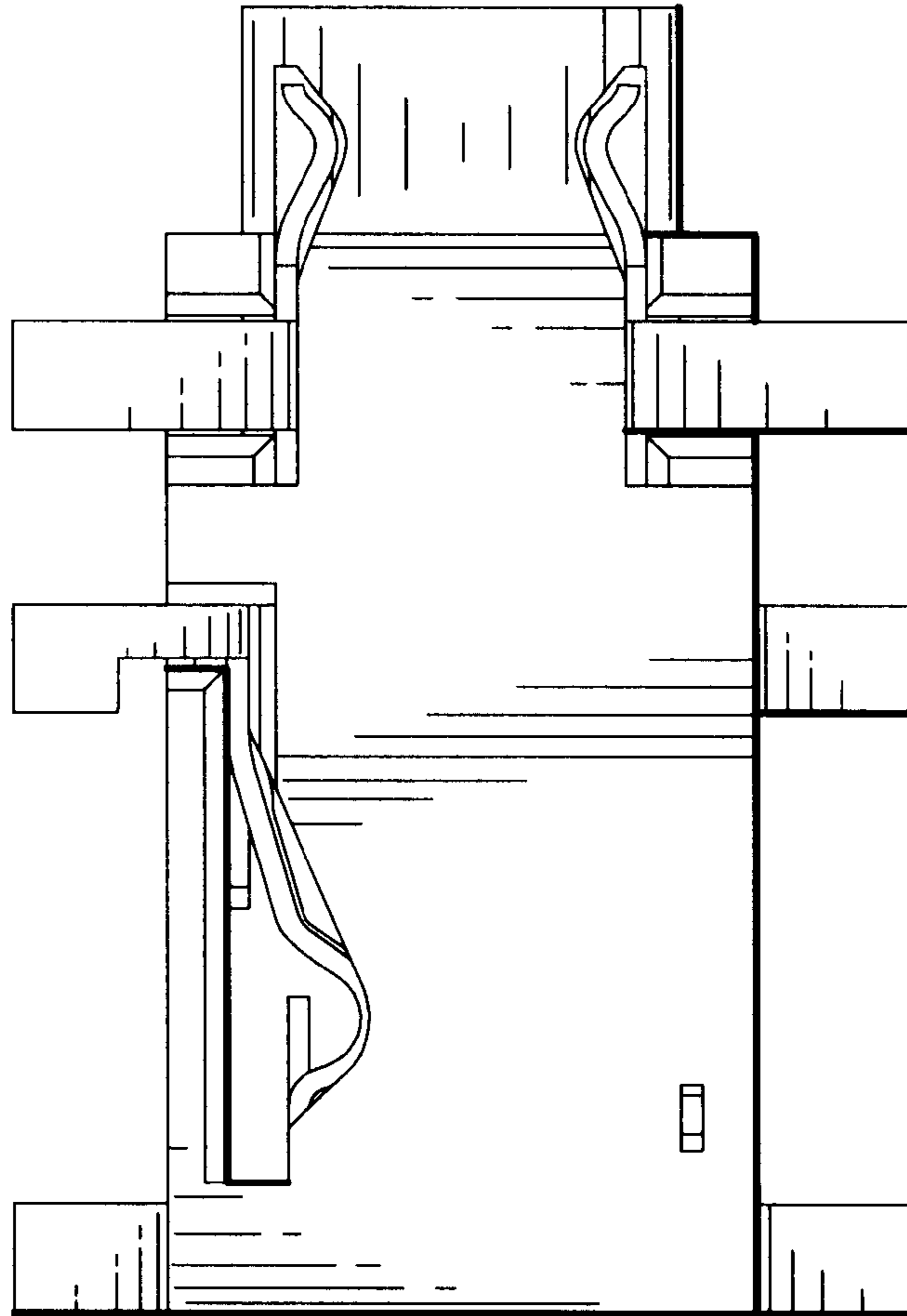


FIG. 7