



US00D534492S

(12) **United States Design Patent**
Oohira

(10) **Patent No.:** **US D534,492 S**
(45) **Date of Patent:** **** Jan. 2, 2007**

(54) **OPTICAL TRANSMISSION CONVERSION
DEVICE**

(75) Inventor: **Hiroaki Oohira**, Yokohama (JP)

(73) Assignee: **Kabushiki Kaisha Toshiba** (JP)

(**) Term: **14 Years**

(21) Appl. No.: **29/228,208**

(22) Filed: **Apr. 21, 2005**

(30) **Foreign Application Priority Data**

Jan. 18, 2005 (JP) 2005-001018

(51) **LOC (8) Cl.** **13-03**

(52) **U.S. Cl.** **D13/123**

(58) **Field of Classification Search** D13/123,
D13/133, 146-147, 154, 184, 199; 361/728;
385/92; 439/278, 607-610, 374, 894
See application file for complete search history.

(56) **References Cited**

U.S. PATENT DOCUMENTS

D418,109 S	*	12/1999	Lok	D13/133
6,350,063 B1	*	2/2002	Gilliland et al.	385/88
6,430,053 B1	*	8/2002	Peterson et al.	361/728
6,485,322 B1	*	11/2002	Branch et al.	439/357
D481,676 S	*	11/2003	Huang	D13/123
D485,238 S	*	1/2004	Hwang et al.	D13/123
D494,930 S	*	8/2004	Ishigami et al.	D13/123
2003/0044129 A1	*	3/2003	Ahrens et al.	385/92

FOREIGN PATENT DOCUMENTS

JP	1044136	7/1999
JP	1099790	2/2001
JP	1224596	12/2004

OTHER PUBLICATIONS

HITACHI catalog, Fiber Optic Transceivers for ATM, FCS, Gigabit Ethernet, "Optical Transceiver Module", May 2000, p. 3.

FUJITSU advertisement, The Possibilities Are Infinite, "SFP", Jan. 2004.

* cited by examiner

Primary Examiner—Prabhakar Deshmukh

Assistant Examiner—Daniel Bui

(74) *Attorney, Agent, or Firm*—Banner & Witcoff, Ltd.

(57) **CLAIM**

The ornamental design for an optical transmission conversion device, as shown and described.

DESCRIPTION

FIG. 1 is a front, top and left side perspective view of an optical transmission conversion device, showing my new design;

FIG. 2 is a front elevational view thereof; the opposite side being a mirror image thereof;

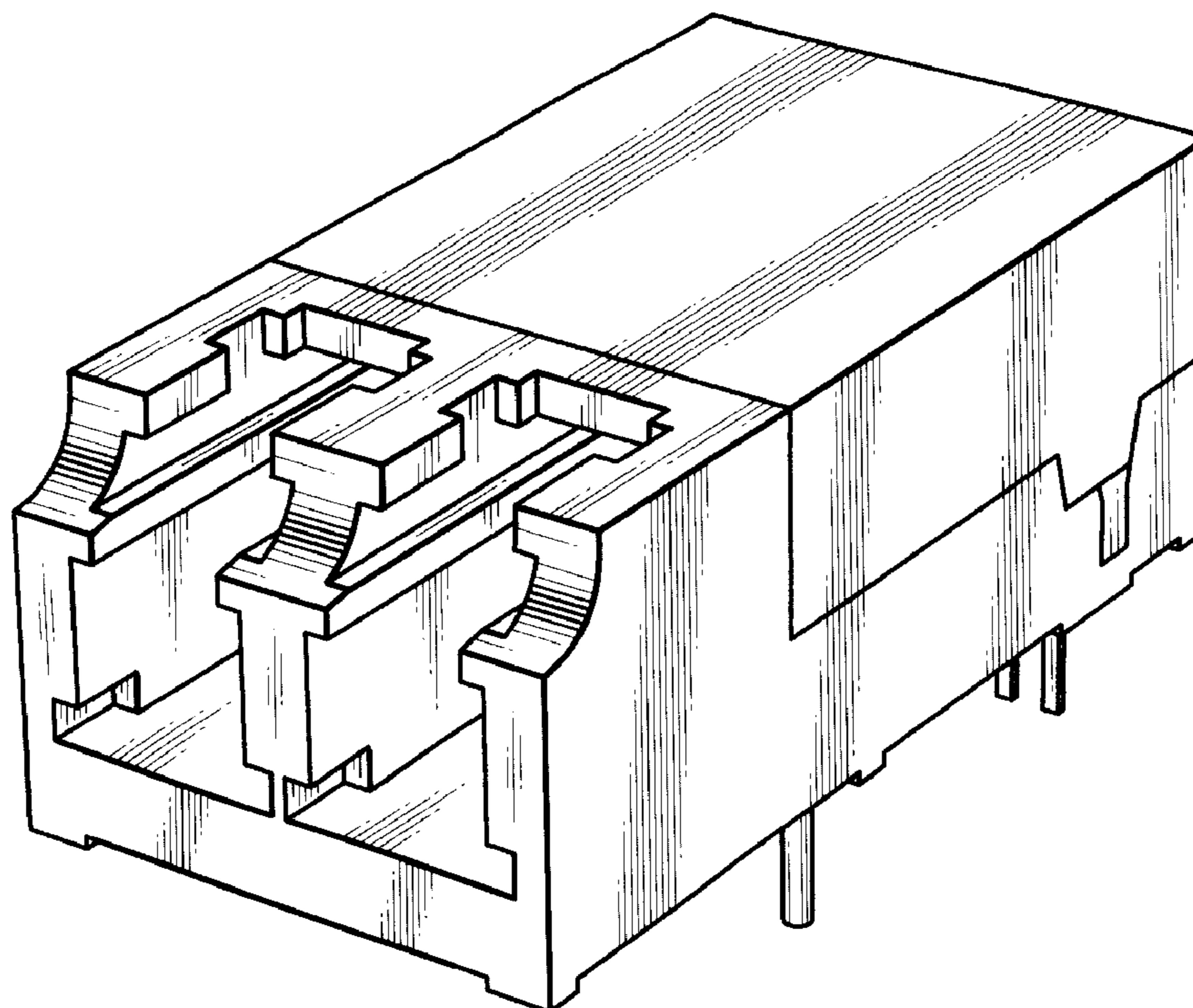
FIG. 3 is a top plan view thereof;

FIG. 4 is a bottom plan view thereof;

FIG. 5 is a right side elevational view thereof; and,

FIG. 6 is a left side elevational view thereof.

1 Claim, 3 Drawing Sheets



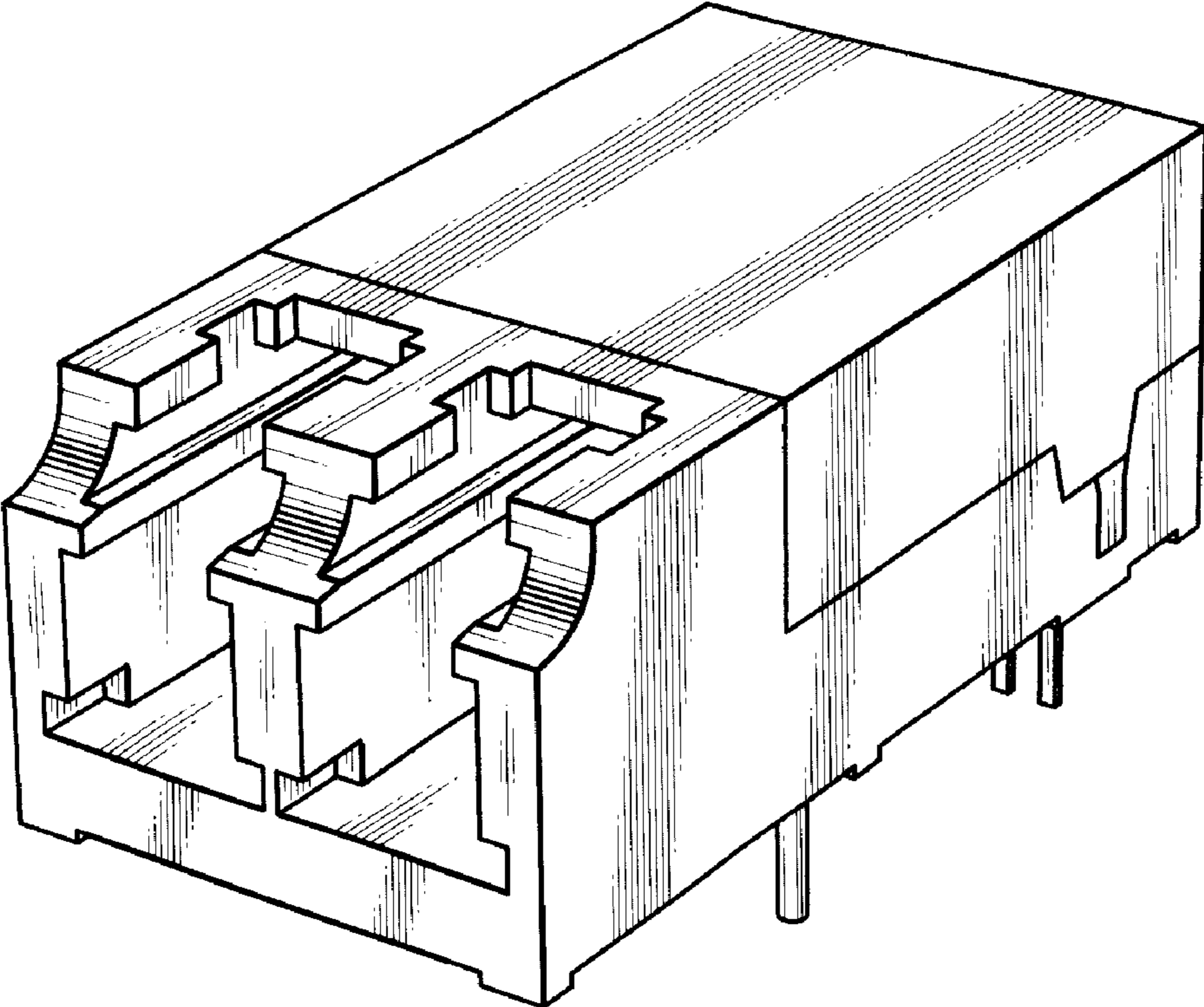


FIG. 1

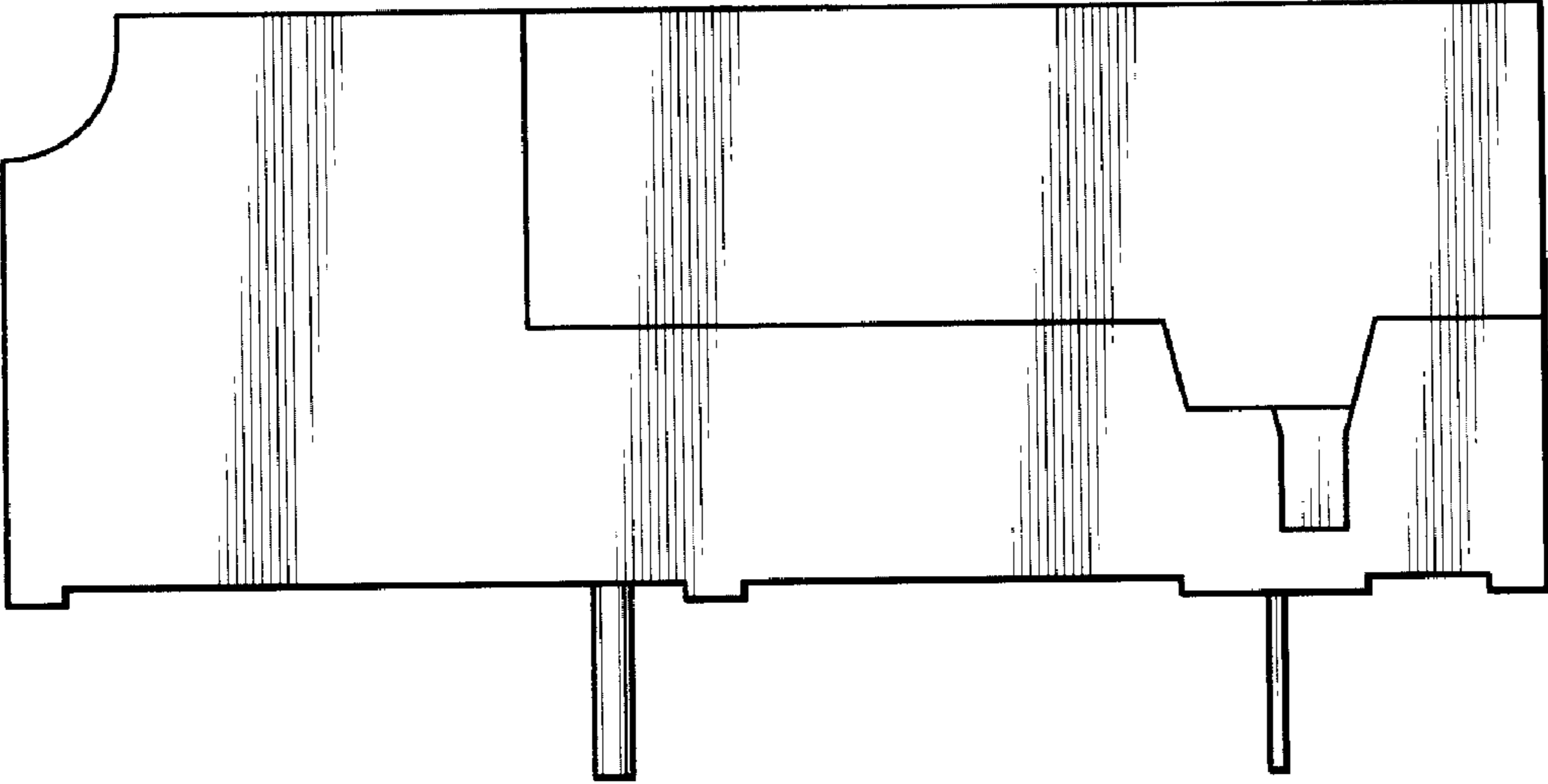


FIG. 2

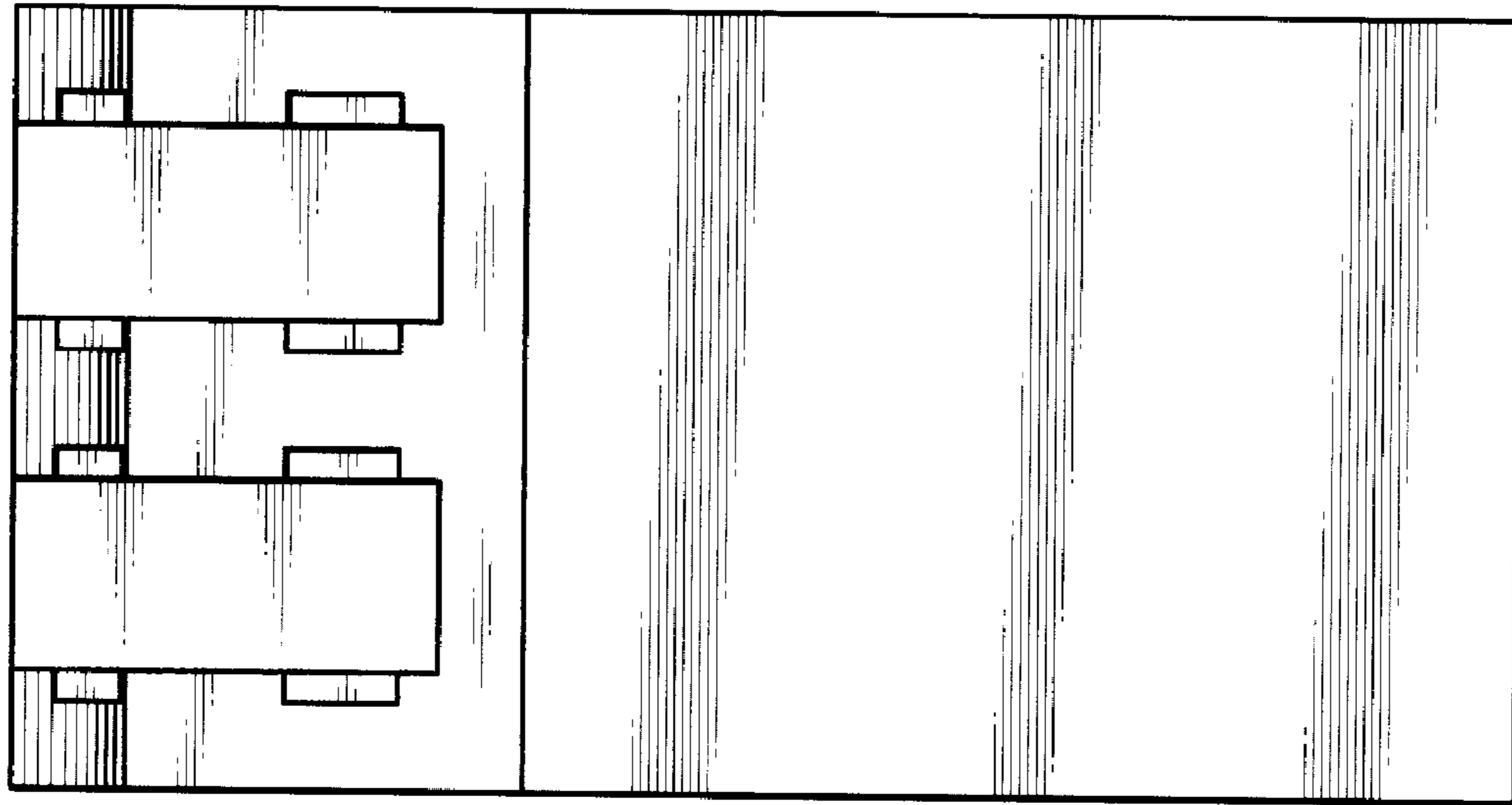


FIG.3

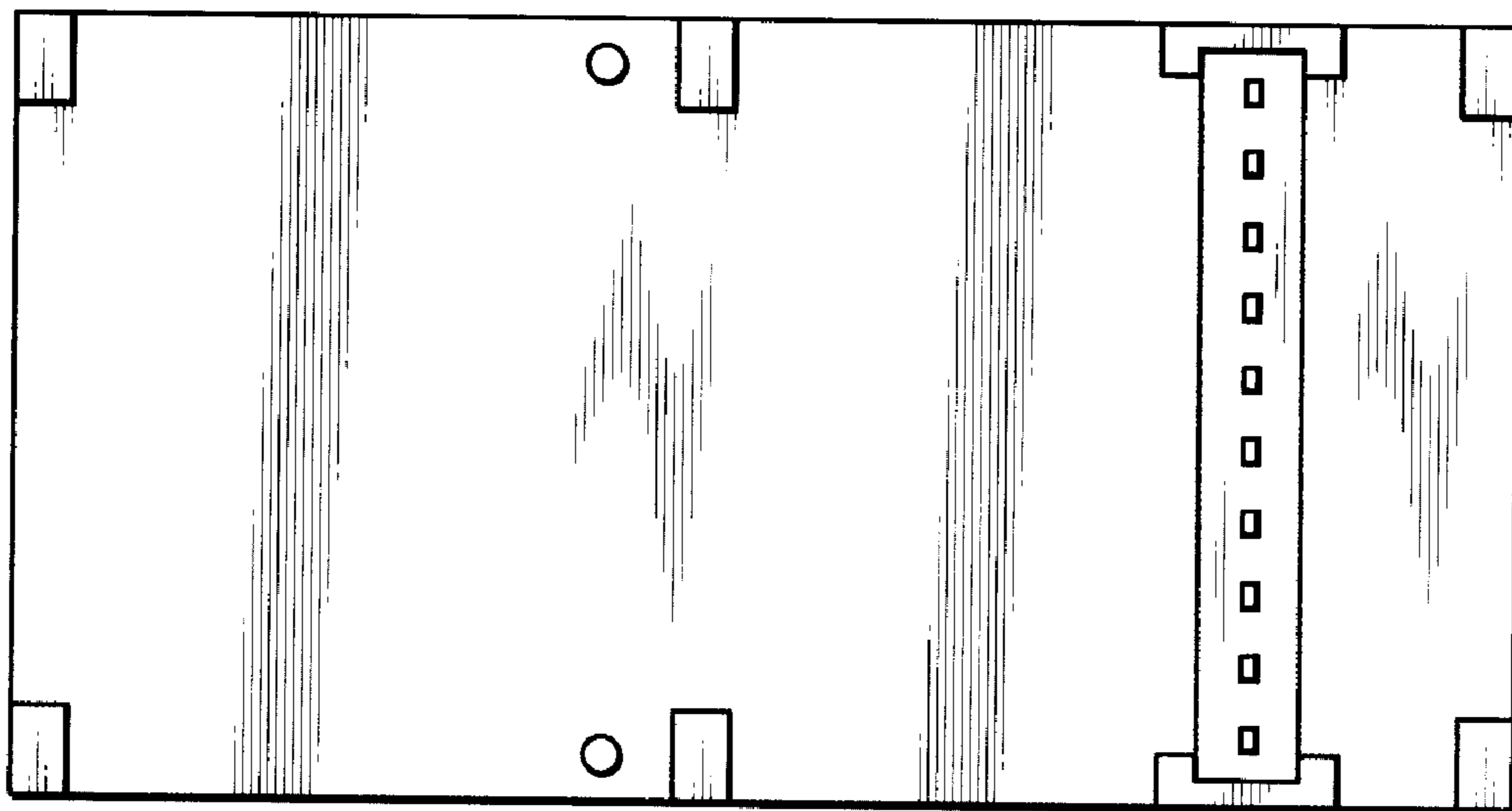


FIG.4

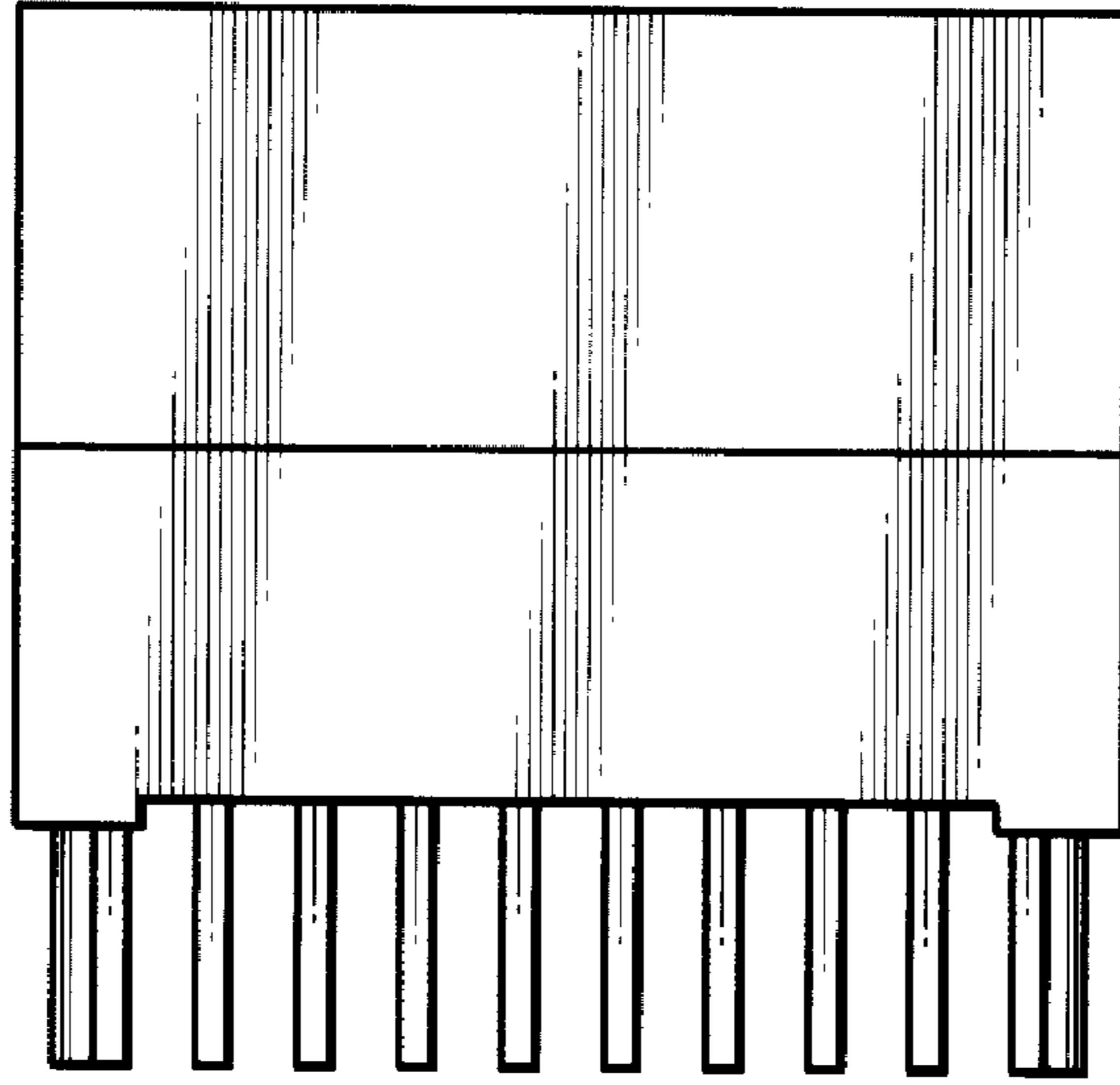


FIG. 5

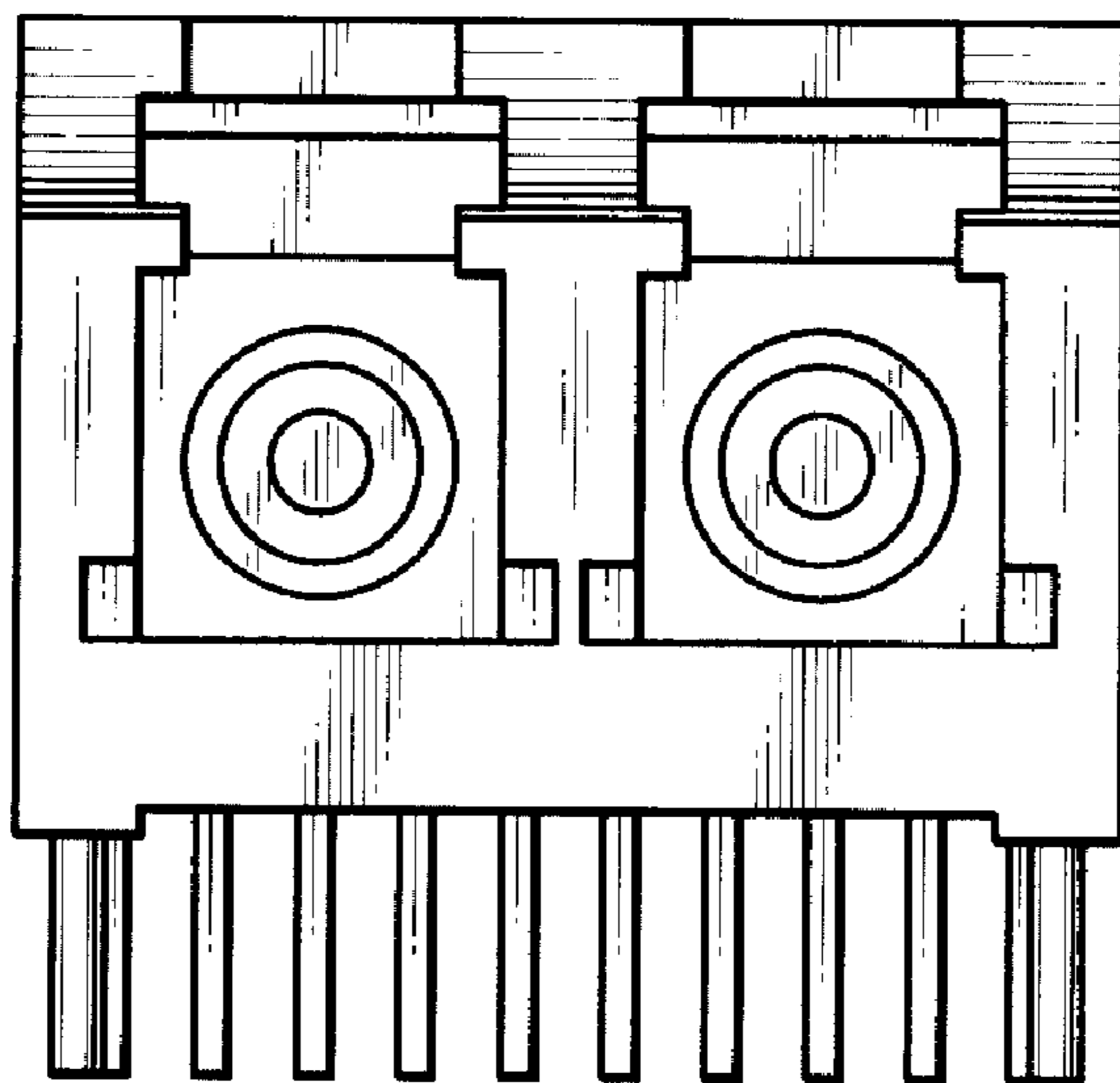


FIG. 6