



US00D534490S

(12) **United States Design Patent**
Ogawa

(10) **Patent No.:** **US D534,490 S**

(45) **Date of Patent:** **** Jan. 2, 2007**

(54) **POWER SUPPLY**

(75) Inventor: **Tadahiko Ogawa**, Okayama (JP)

(73) Assignee: **Omron Corporation**, Kyoto (JP)

(**) Term: **14 Years**

(21) Appl. No.: **29/214,048**

(22) Filed: **Sep. 28, 2004**

(30) **Foreign Application Priority Data**

Apr. 5, 2004 (JP) 2004-010378

(51) **LOC (8) Cl.** **13-01**

(52) **U.S. Cl.** **D13/118; D13/110**

(58) **Field of Classification Search** D13/118,
D13/101, 110, 112, 184, 199; 307/72, 151;
361/601, 688, 695, 697, 730

See application file for complete search history.

(56) **References Cited**

U.S. PATENT DOCUMENTS

D239,177 S	*	3/1976	Mauceri et al.	D13/162.1
D311,899 S	*	11/1990	Lenzing et al.	D13/124
D356,996 S	*	4/1995	Henderson et al.	D13/110
D401,216 S	*	11/1998	Person et al.	D13/110
D418,808 S	*	1/2000	Lee	D13/110
6,046,921 A	*	4/2000	Tracewell et al.	363/141
D437,288 S	*	2/2001	Light	D13/110
D445,761 S	*	7/2001	Weng	D13/110

* cited by examiner

Primary Examiner—Stella Reid

Assistant Examiner—Derrick Holland

(74) *Attorney, Agent, or Firm*—Dickstein Shapiro LLP

(57) **CLAIM**

The ornamental design for a power supply, as shown and described.

DESCRIPTION

FIG. 1 is a front perspective view of a power supply, showing my new design;

FIG. 2 is a rear perspective view thereof;

FIG. 3 is a front elevational view thereof;

FIG. 4 is a rear elevational view thereof;

FIG. 5 is a top plan view thereof;

FIG. 6 is a bottom plan view thereof;

FIG. 7 is a right side elevational view thereof;

FIG. 8 is a left side elevational view thereof;

FIG. 9 is a front perspective view thereof, with the covers opened;

FIG. 10 is a front elevational view thereof, with the covers opened;

FIG. 11 is a top plan view thereof, with the covers opened; and,

FIG. 12 is a right side elevational view thereof, with the covers opened.

The broken lines shown in FIGS. 1–12 are for illustrative purposes only and form no part of the claimed design.

1 Claim, 9 Drawing Sheets

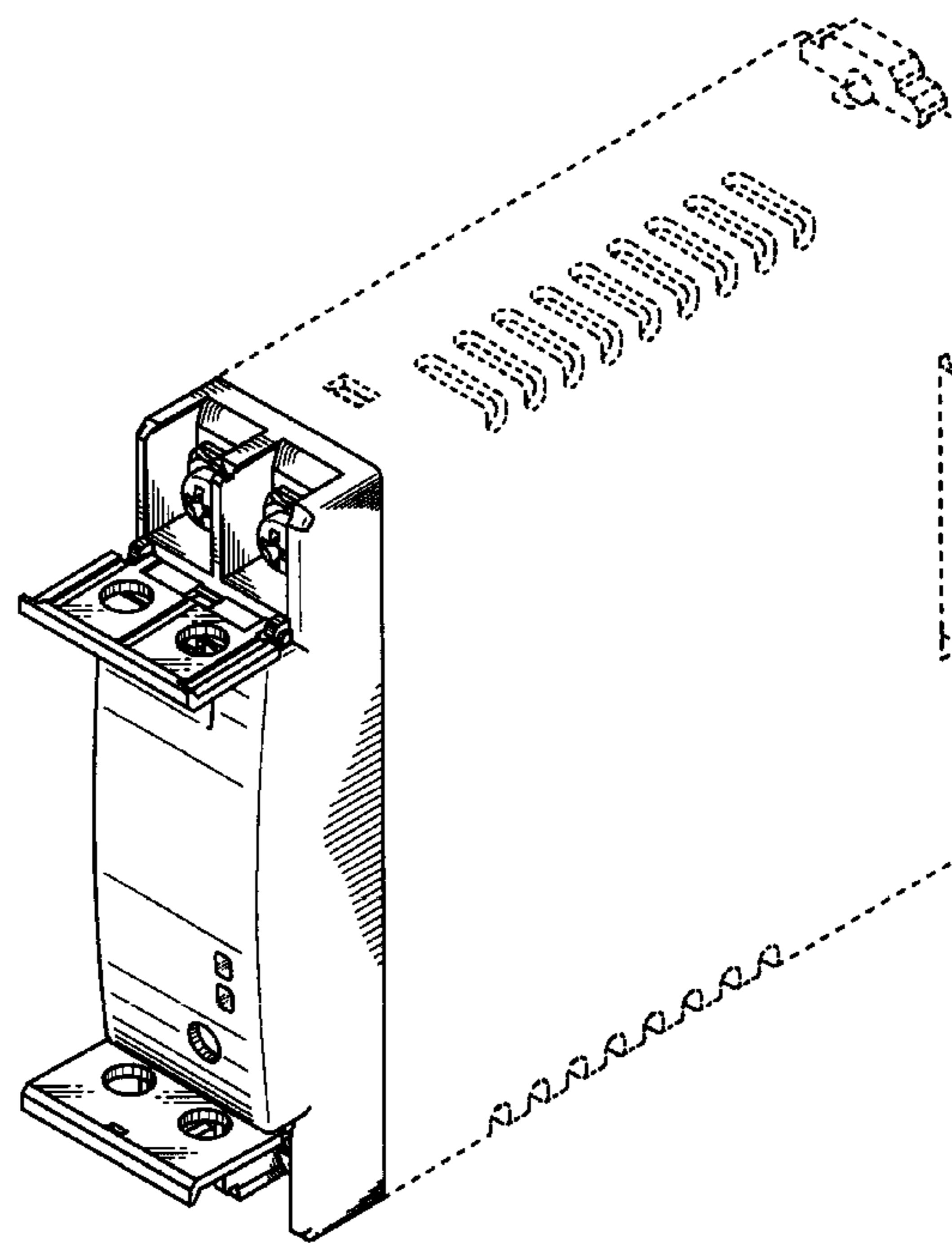
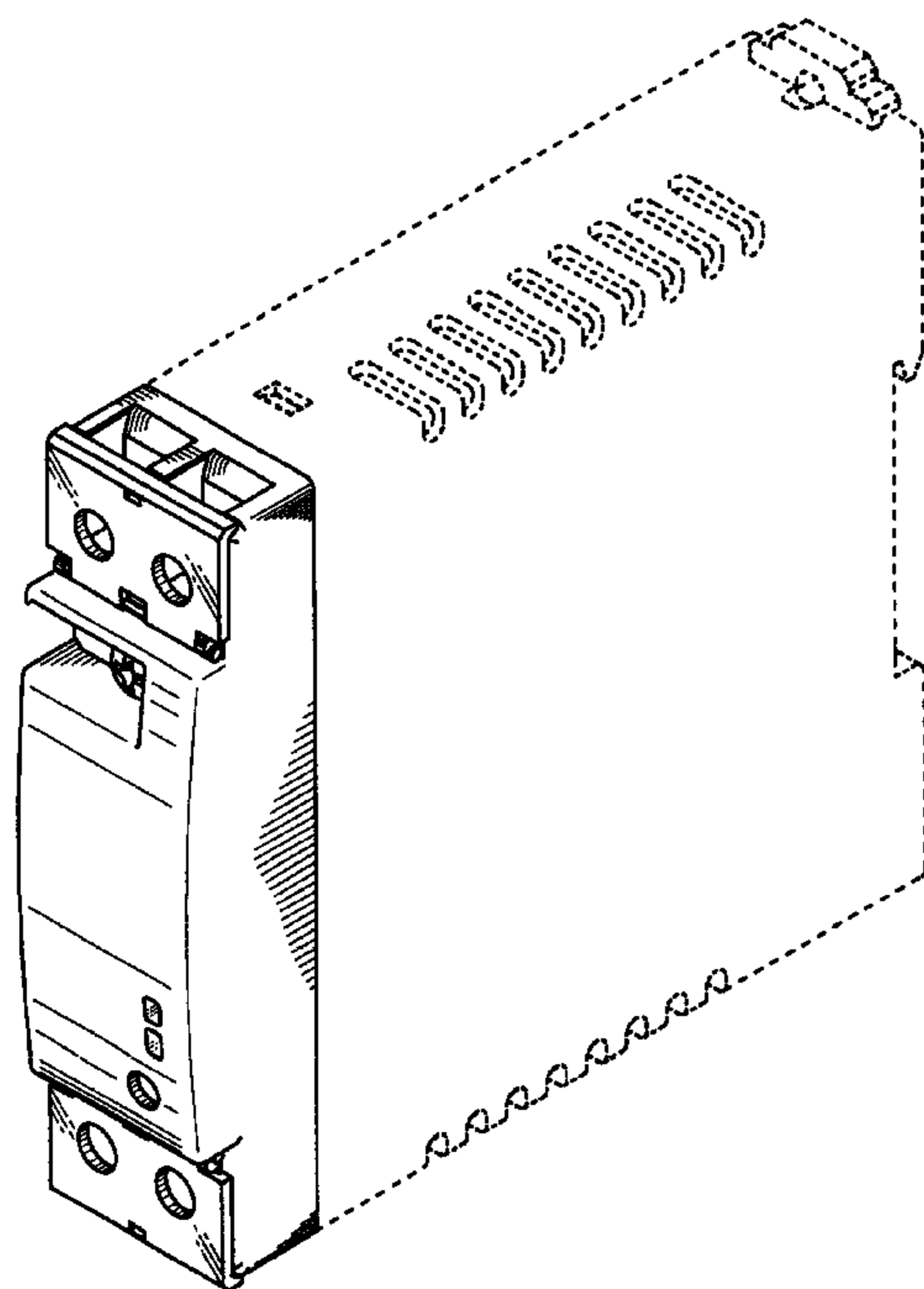


Fig. 1

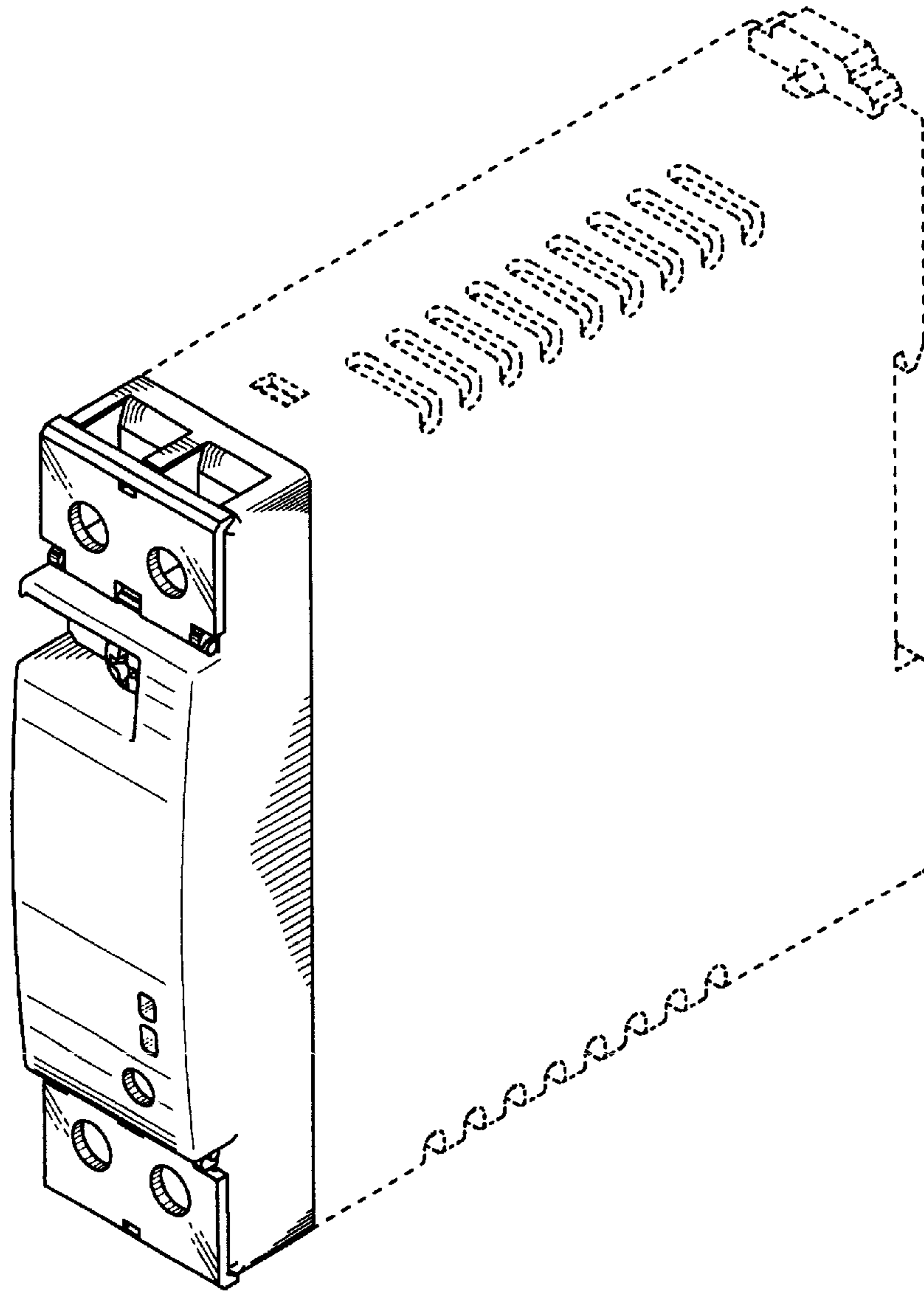


Fig. 2

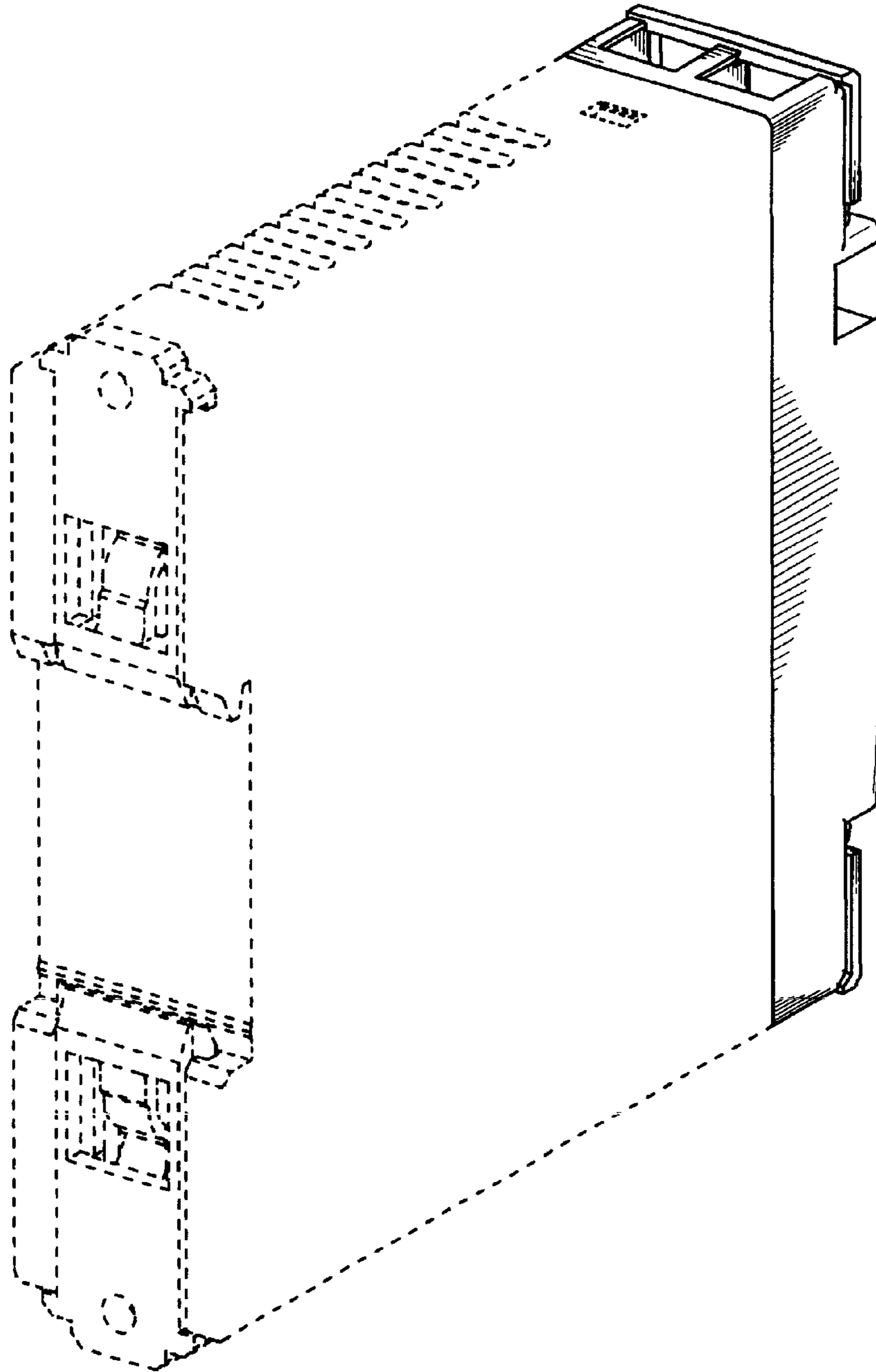


Fig. 3

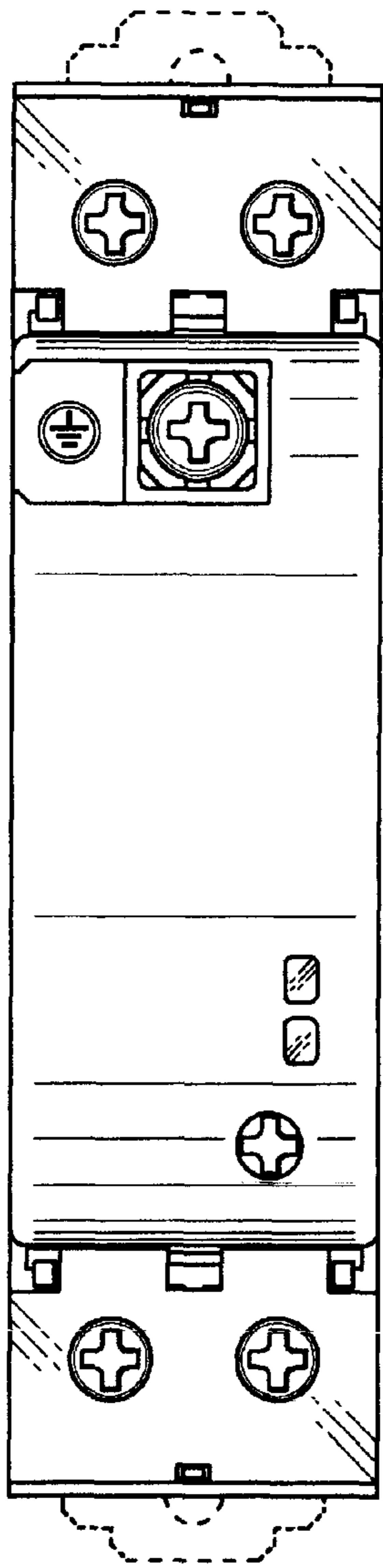


Fig. 4

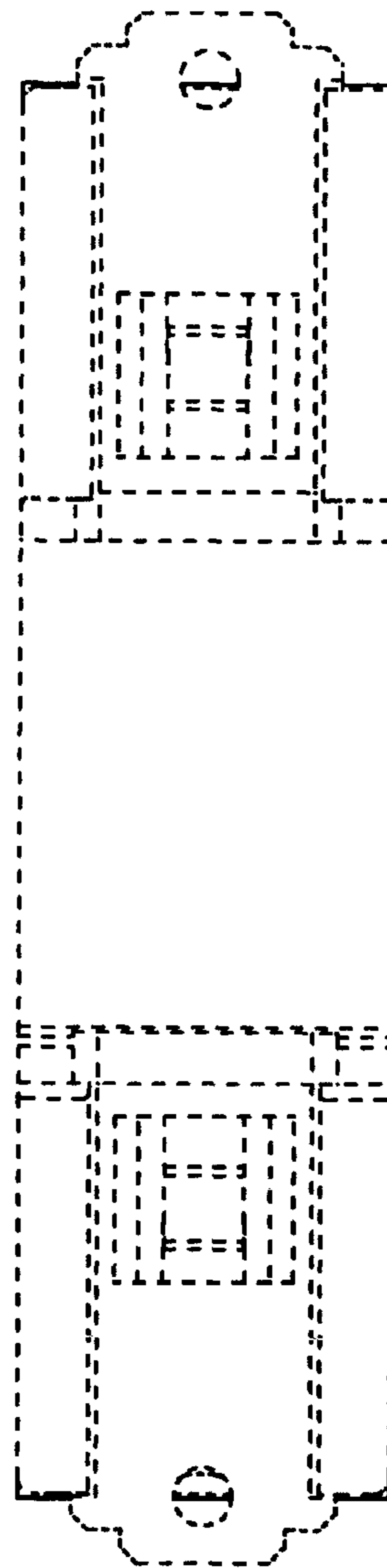


Fig. 5

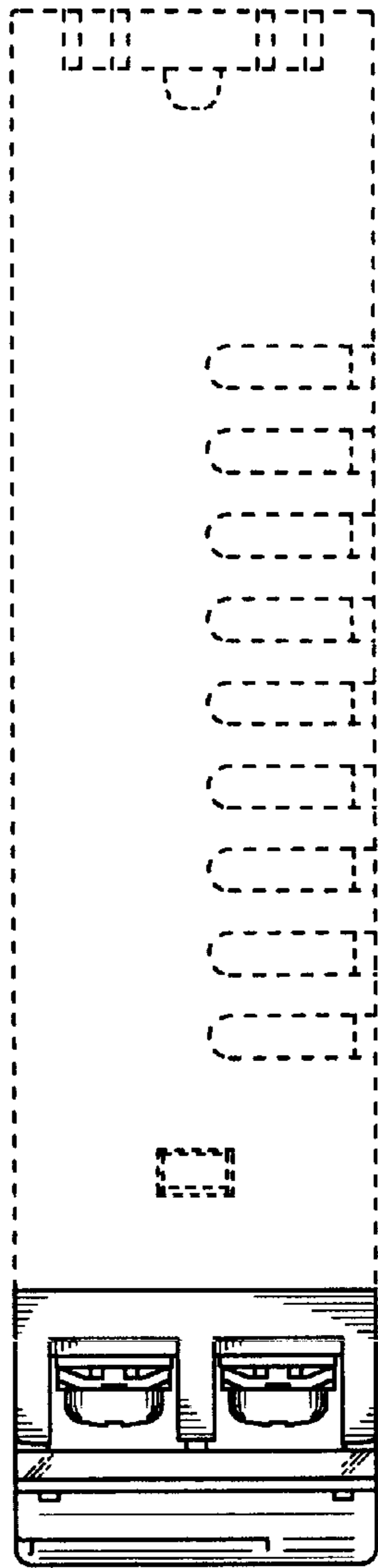


Fig. 6

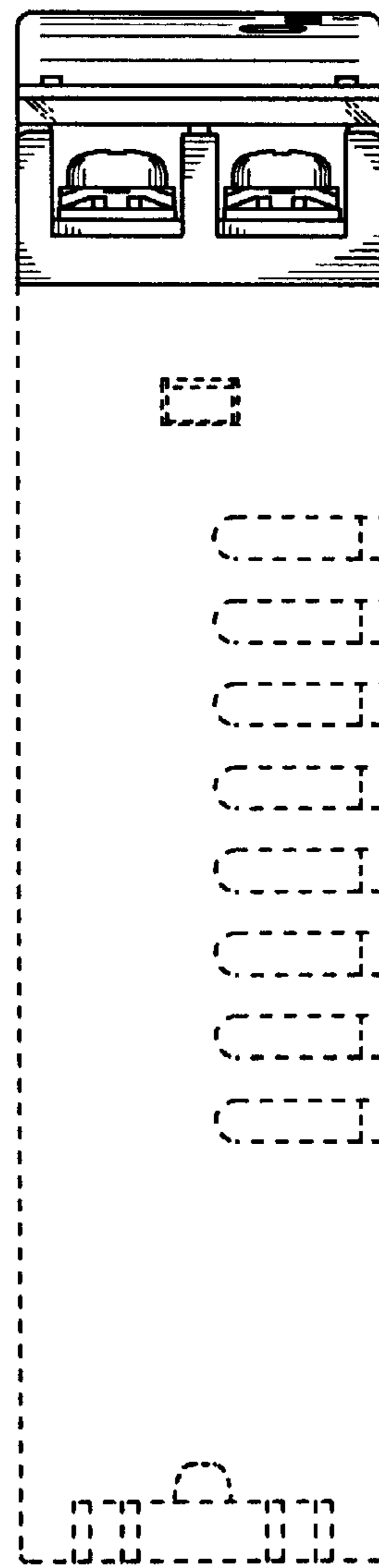


Fig. 7

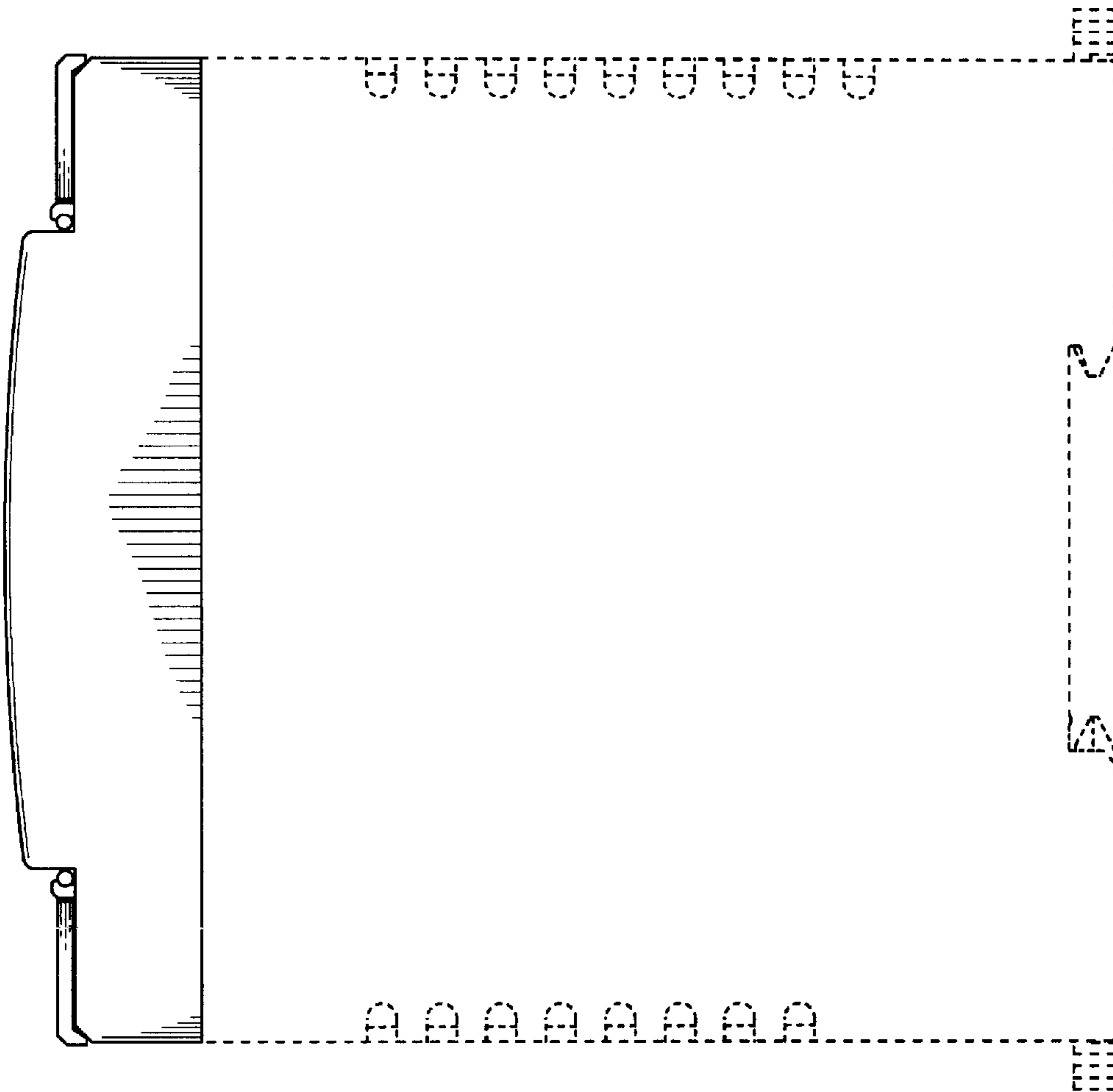


Fig. 8

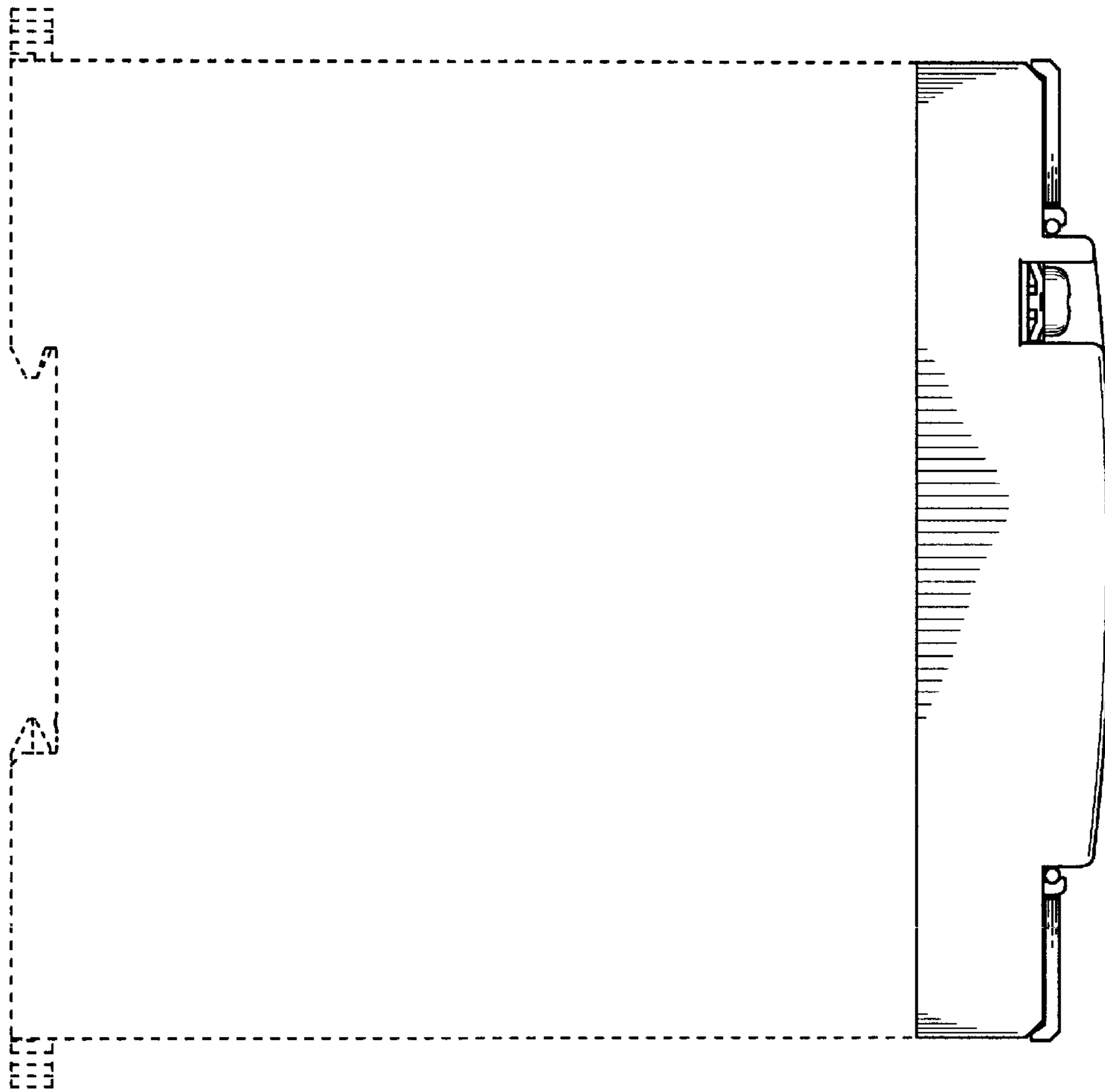


Fig. 9

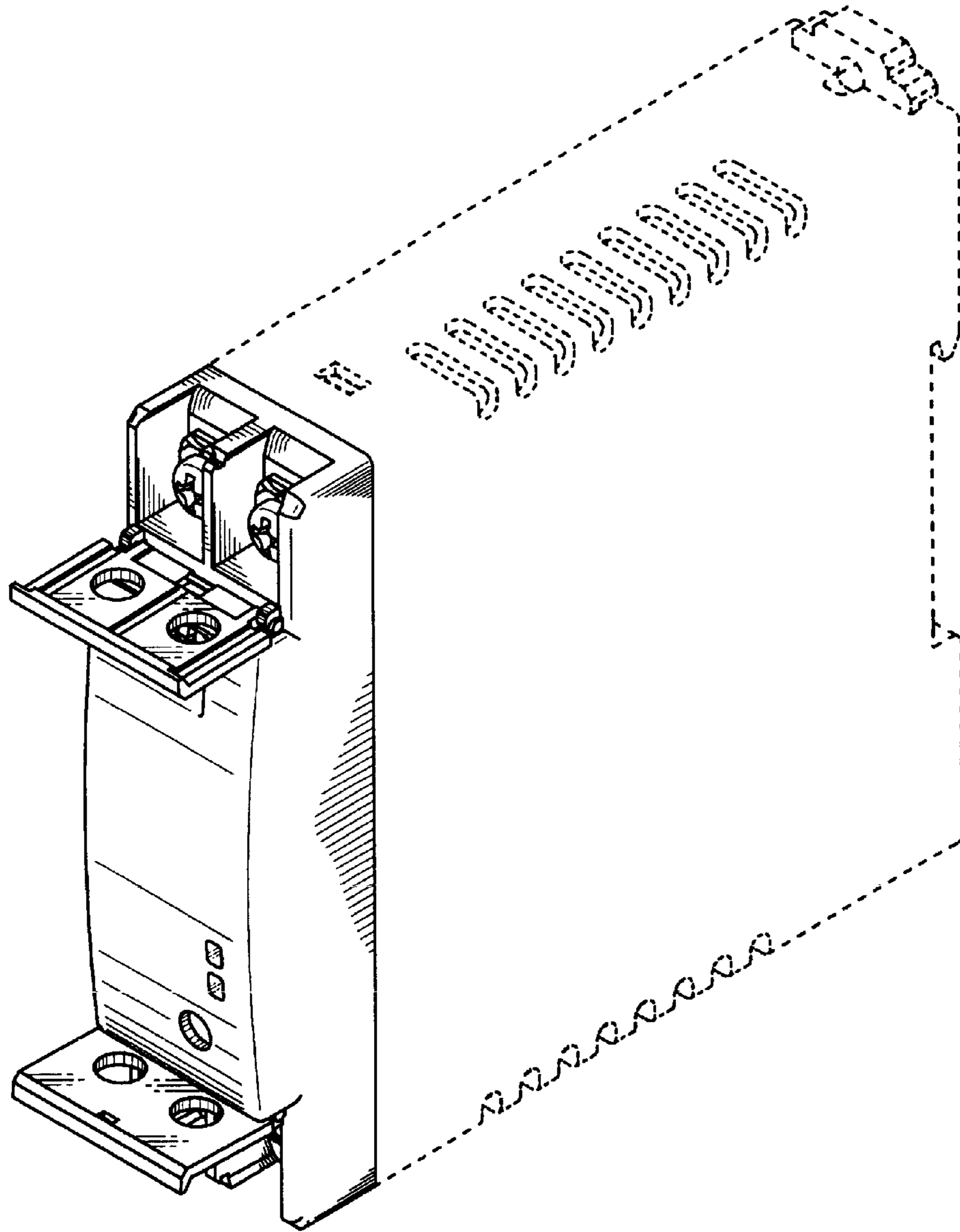


Fig. 10

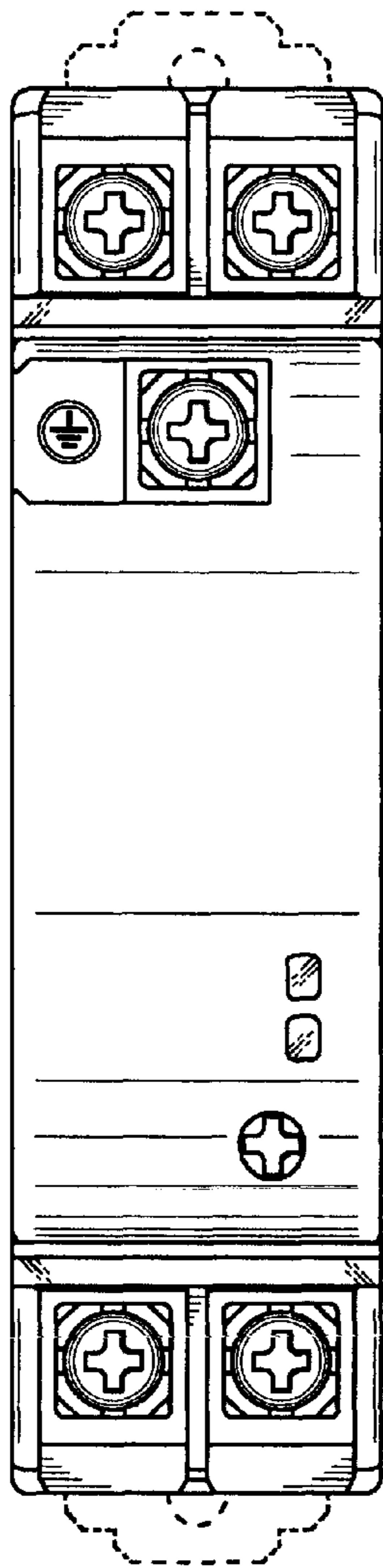


Fig. 11

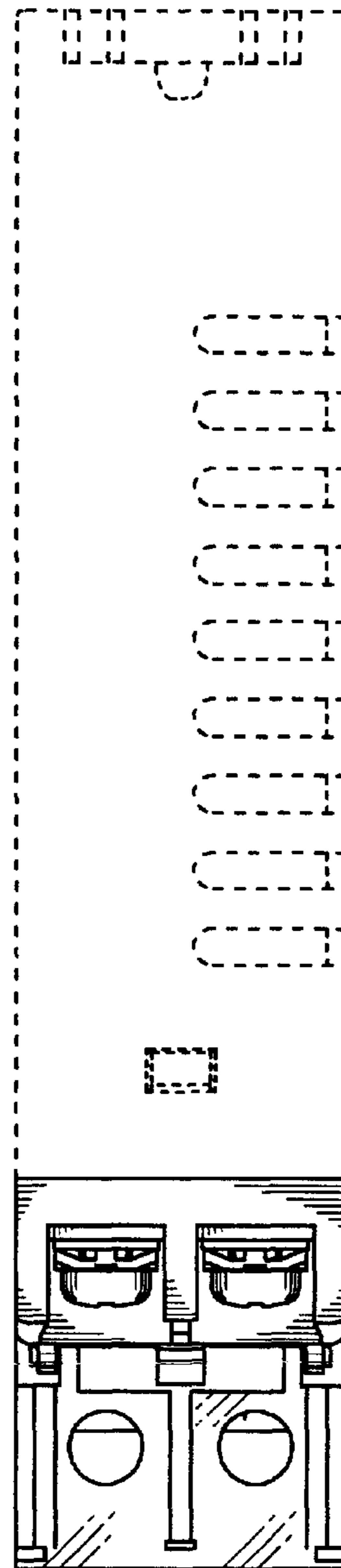


Fig. 12

