

US00D534489S

(12) **United States Design Patent**
Klein et al.

(10) **Patent No.:** **US D534,489 S**

(45) **Date of Patent:** **** Jan. 2, 2007**

(54) **CHARGING CRADLE**

(75) Inventors: **Sandro David Klein**, Cypress, CA
(US); **Alejandro Garfio**, Pico Rivera,
CA (US)

(73) Assignee: **Universal Electronics Inc.**, Cypress,
CA (US)

(**) Term: **14 Years**

(21) Appl. No.: **29/242,175**

(22) Filed: **Nov. 7, 2005**

(51) **LOC (8) Cl.** **13-02**

(52) **U.S. Cl.** **D13/108**

(58) **Field of Classification Search** D13/106-110,
D13/118-119, 184; D14/251, 253, 432, 434;
320/107-115

See application file for complete search history.

(56) **References Cited**

U.S. PATENT DOCUMENTS

D279,185 S	*	6/1985	Felix et al.	D14/251
D323,504 S	*	1/1992	Langton	D14/142
D409,170 S	*	5/1999	Ota et al.	D14/357
D429,242 S	*	8/2000	Sun	D14/253
D454,131 S	*	3/2002	Lord	D14/434

D465,532 S	*	11/2002	Hussaini et al.	D21/333
D480,393 S	*	10/2003	Toor et al.	D14/253
D483,016 S	*	12/2003	Ma et al.	D13/108
D501,191 S	*	1/2005	Siebke	D14/149
D503,700 S	*	4/2005	Mamero	D14/149
D508,019 S	*	8/2005	Lamason et al.	D13/108
D514,062 S	*	1/2006	Chang	D13/108
D520,013 S	*	5/2006	Yang	D14/434

* cited by examiner

Primary Examiner—M. H. Tung

Assistant Examiner—Rosemary K. Tarcza

(74) *Attorney, Agent, or Firm*—Gary R. Jarosik

(57) **CLAIM**

What is claimed is the ornamental design for a charging cradle, as shown and described.

DESCRIPTION

FIG. 1 is a perspective view of a charging cradle showing the new design;

FIG. 2 is a front plan view of the charging cradle;

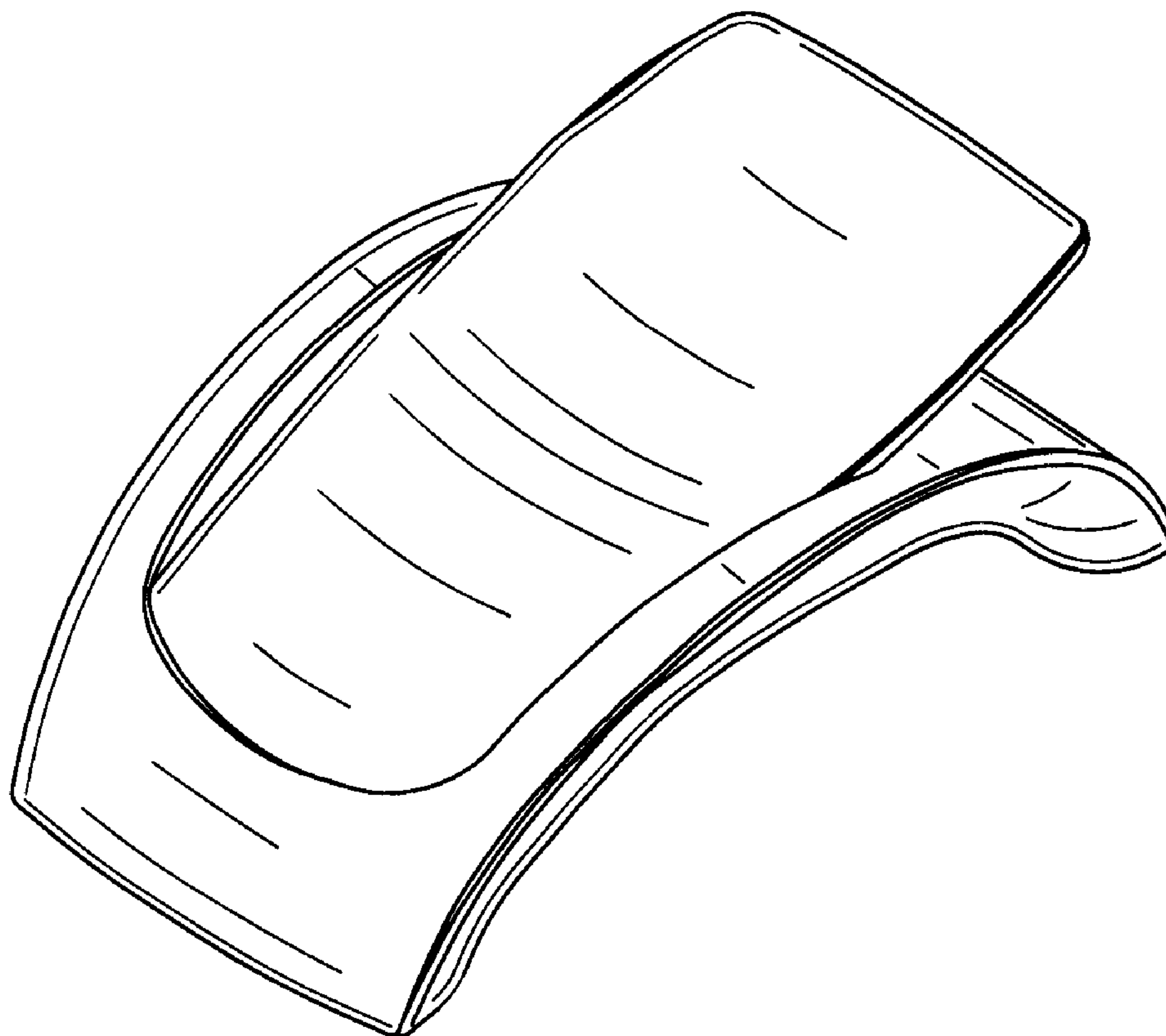
FIG. 3 is a top plan view of the charging cradle;

FIG. 4 is a rear plan view of the charging cradle;

FIG. 5 is a side elevational view of the charging cradle; and,

FIG. 6 is a bottom plan view of the charging cradle.

1 Claim, 2 Drawing Sheets



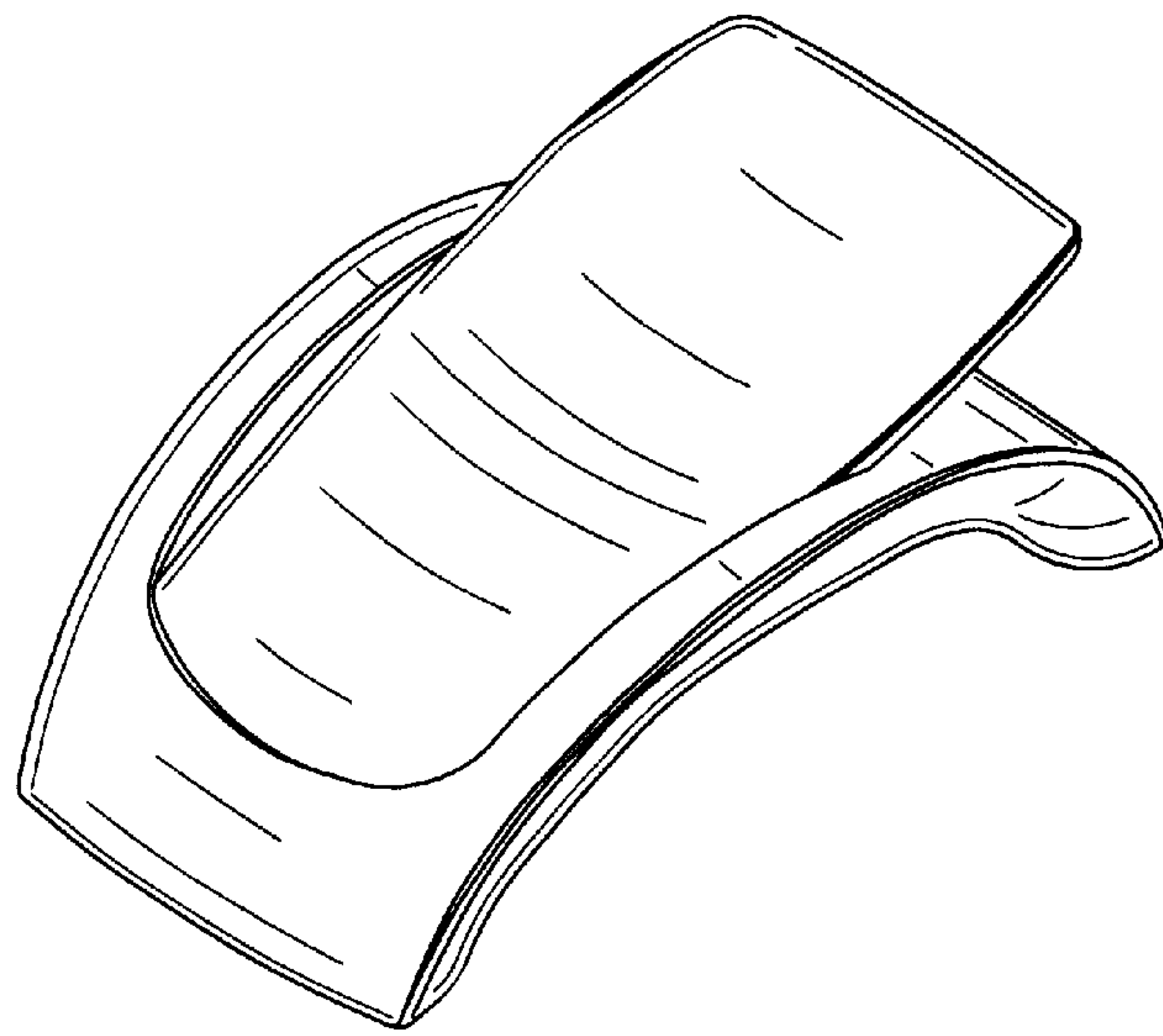


FIG. 1

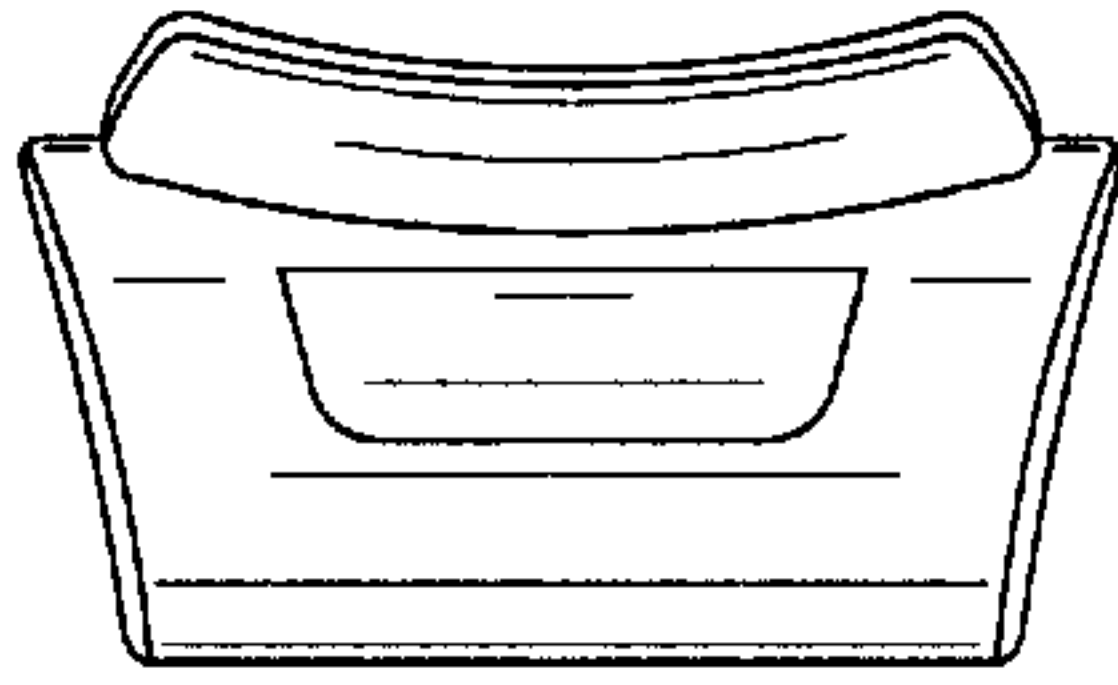


FIG. 2

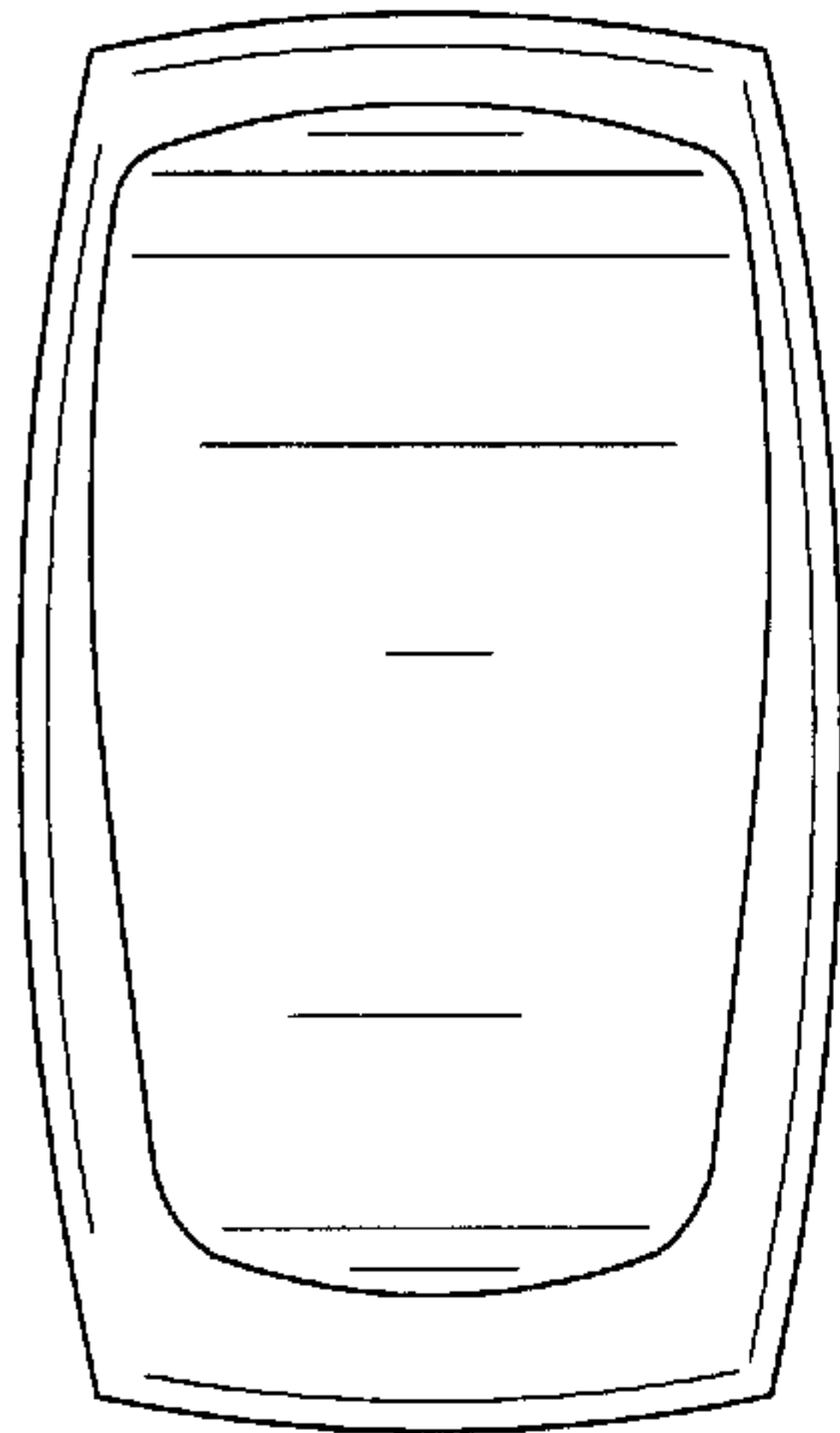


FIG. 3

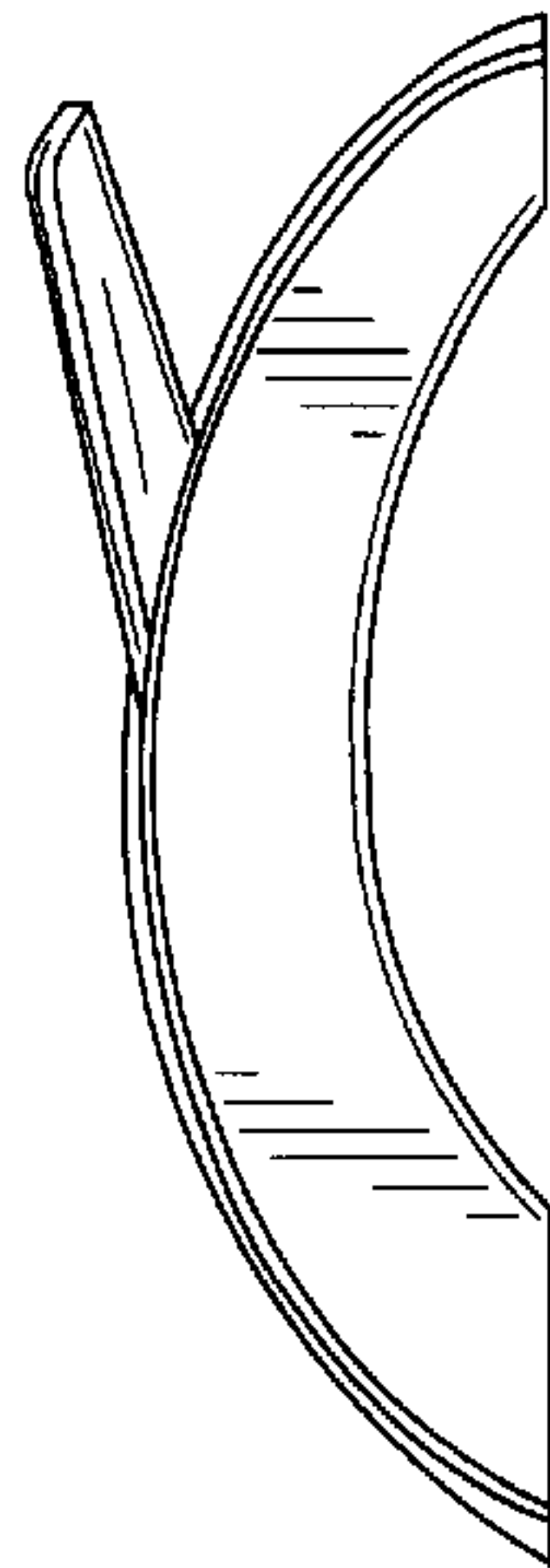


FIG. 5

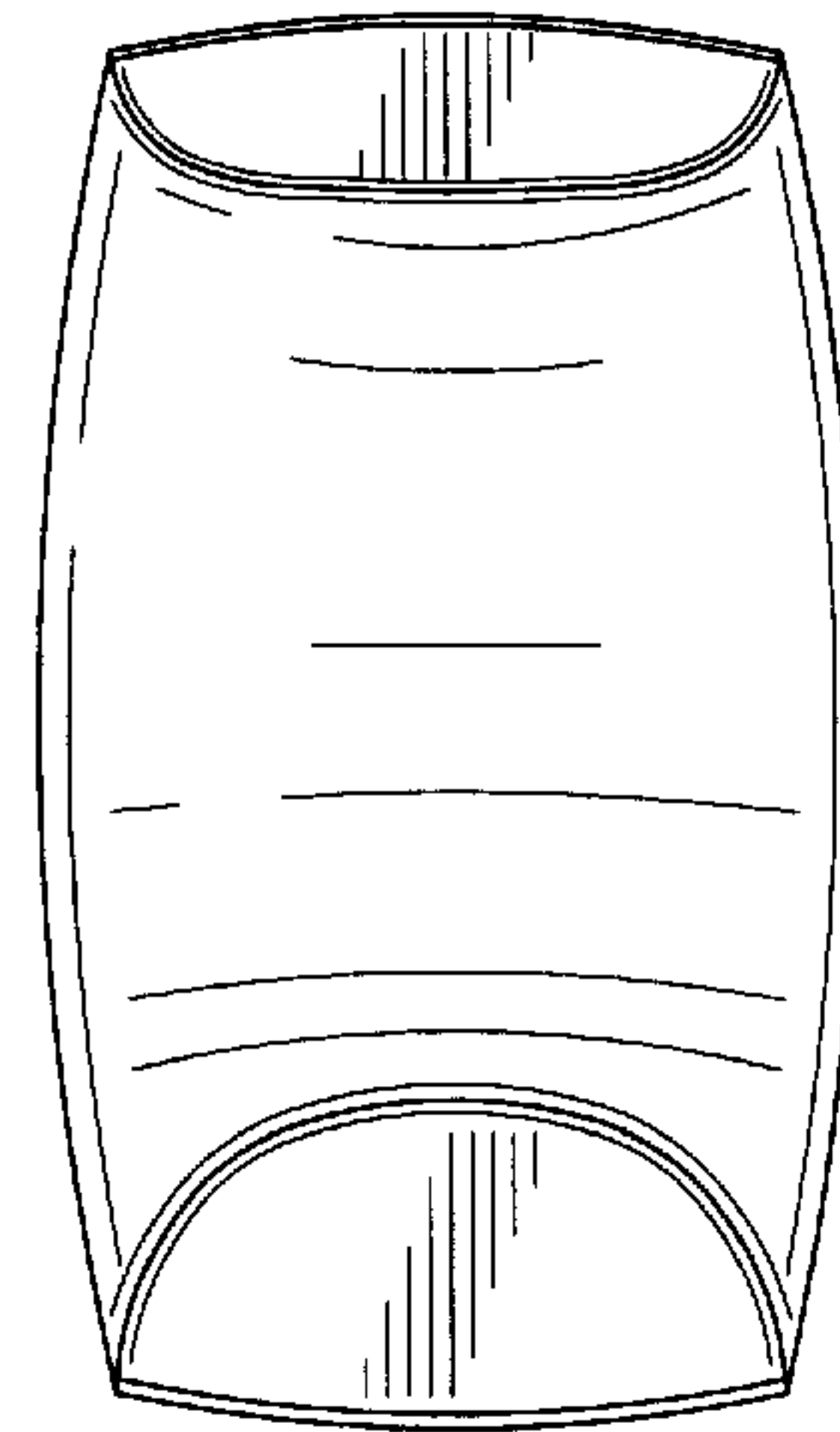


FIG. 6

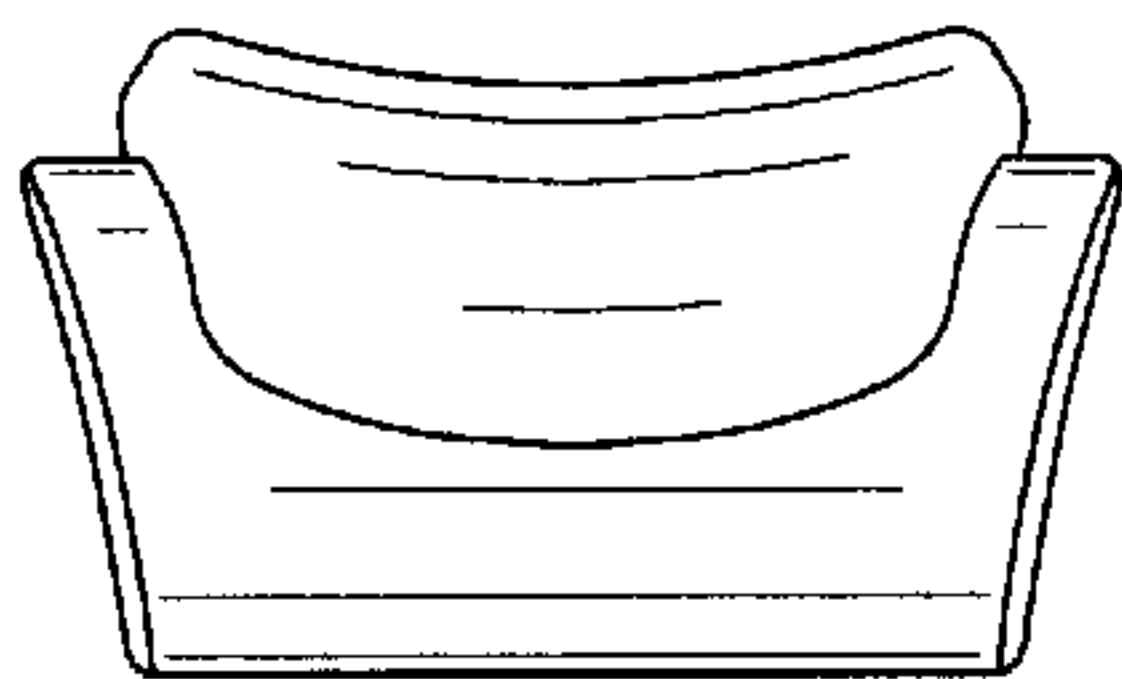


FIG. 4