



US00D534480S

(12) **United States Design Patent**
Fraser et al.

(10) **Patent No.:** **US D534,480 S**
(45) **Date of Patent:** **** Jan. 2, 2007**

(54) **FOLDING TRAY TABLE**

D508,672 S * 8/2005 Fraser et al. D12/419
D512,679 S * 12/2005 Fraser et al. D12/419

(75) Inventors: **Jason Fraser**, Waterloo (CA); **Gregory Baniak**, Toronto (CA); **Joe D'Angelo**, Cambridge (CA)

* cited by examiner

Primary Examiner—Stacia Cadmus

(73) Assignee: **Ultra Manufacturing Limited**, Kitchener (CA)

(57) **CLAIM**

The ornamental design for a folding tray table, as shown and described.

(**) Term: **14 Years**

DESCRIPTION

(21) Appl. No.: **29/219,805**

FIG. 1 is a perspective view of a first side, a front side, and a top side of the folding tray table showing the table portion in the raised position, with the folding tray table mounted on an automobile seat;

(22) Filed: **Dec. 23, 2004**

FIG. 2 is a perspective view of the first side and a rear side thereof;

(51) **LOC (8) Cl.** **12-16**

(52) **U.S. Cl.** **D12/419**

(58) **Field of Classification Search** D12/415, D12/419-425; 224/42.11, 400, 539-543, 224/926-928, 536, 548, 275, 282; 296/37.1-37.8, 296/37.12, 37.16, 37.14, 37.15; 248/311.2; D7/619.1-625, 509, 523
See application file for complete search history.

FIG. 3 is a perspective view of the first side, the front side, and a bottom side thereof;

FIG. 4 is a rear view thereof;

FIG. 5 is a view of the first side thereof;

FIG. 6 is a view of the front side thereof;

FIG. 7 is a view of a second side thereof;

FIG. 8 is a top view thereof;

FIG. 9 is a bottom view thereof; and,

FIG. 10 is a perspective view of the folding tray table with the table portion in the lowered position.

The broken lines showing the automobile seat in FIGS. 1 and 10 are for illustrative purposes only and form no part of the claimed design.

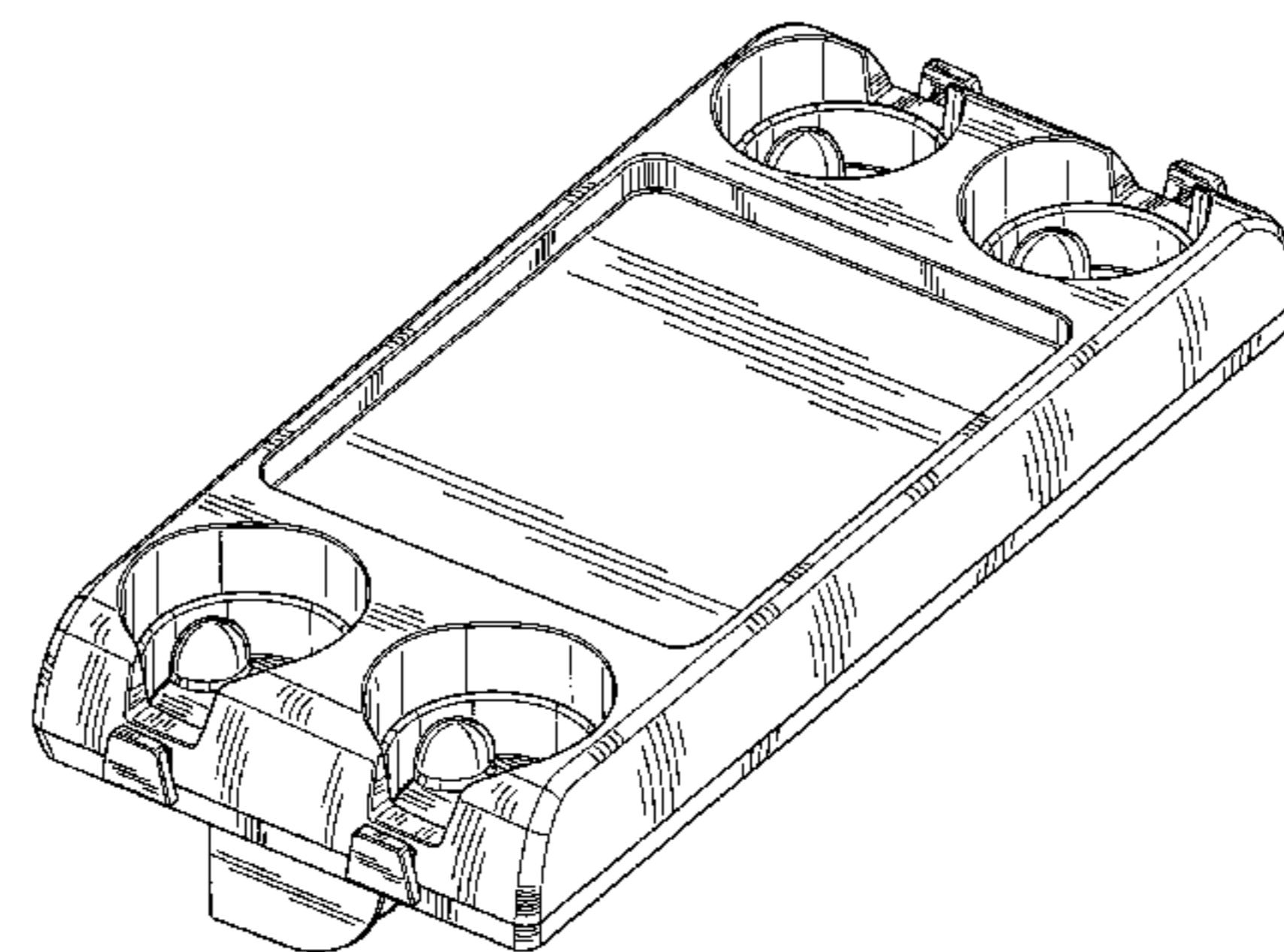
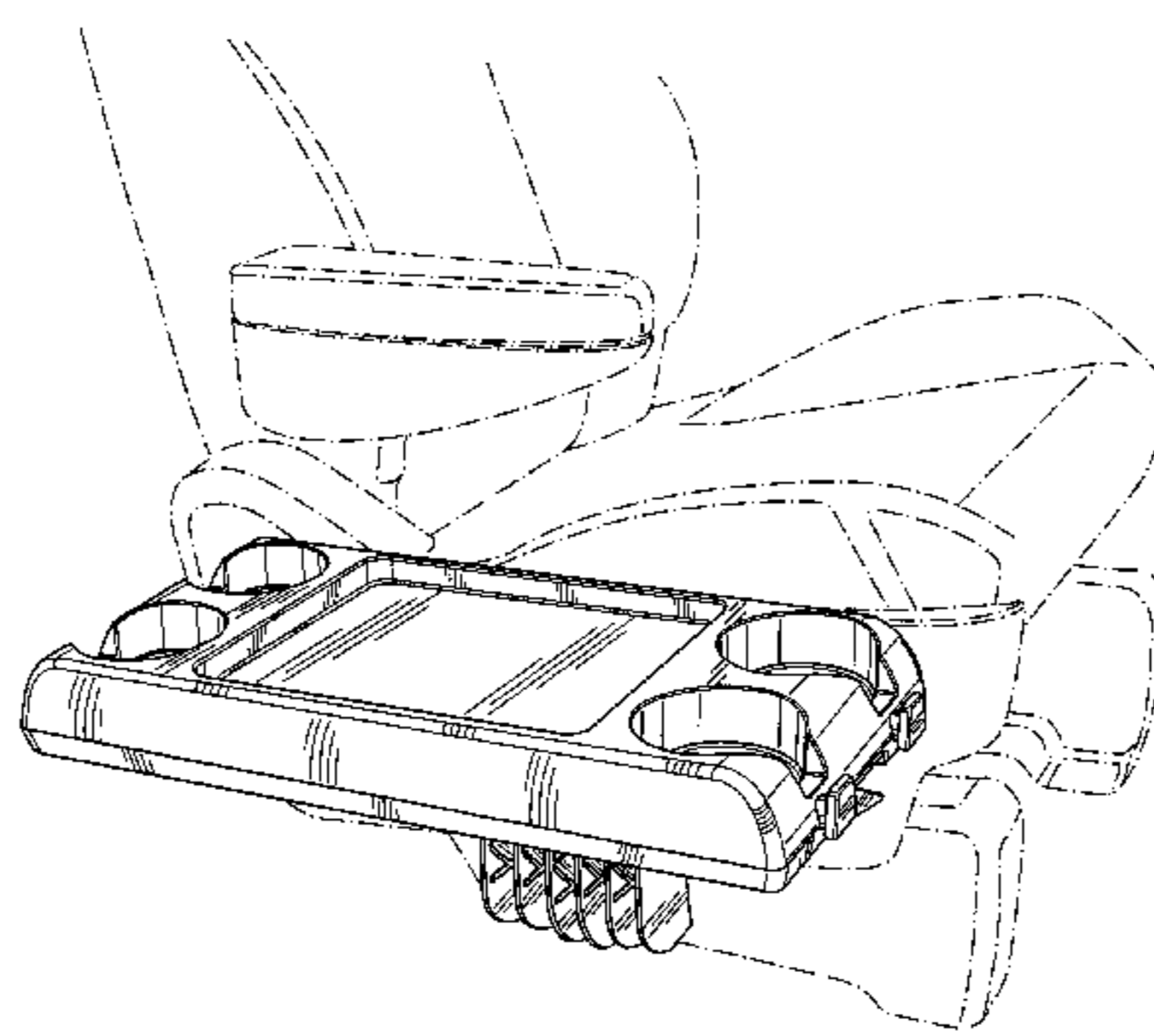
The folding tray table is shown on an enlarged scale in FIGS. 2-9.

(56) **References Cited**

U.S. PATENT DOCUMENTS

- D250,065 S * 10/1978 Monopoli D12/419
- D318,985 S * 8/1991 Szablak et al. D7/701
- D341,249 S * 11/1993 Scheurer D12/420
- D368,889 S * 4/1996 Mankey et al. D12/419
- 6,050,468 A * 4/2000 Kelley 224/542
- 6,109,580 A * 8/2000 Stern et al. 248/311.2
- D444,120 S * 6/2001 Smith D12/419
- D460,635 S * 7/2002 Lieberman et al. D12/419
- D490,044 S * 5/2004 Smith D12/419
- 6,883,692 B1 * 4/2005 Harden et al. 224/275

1 Claim, 10 Drawing Sheets



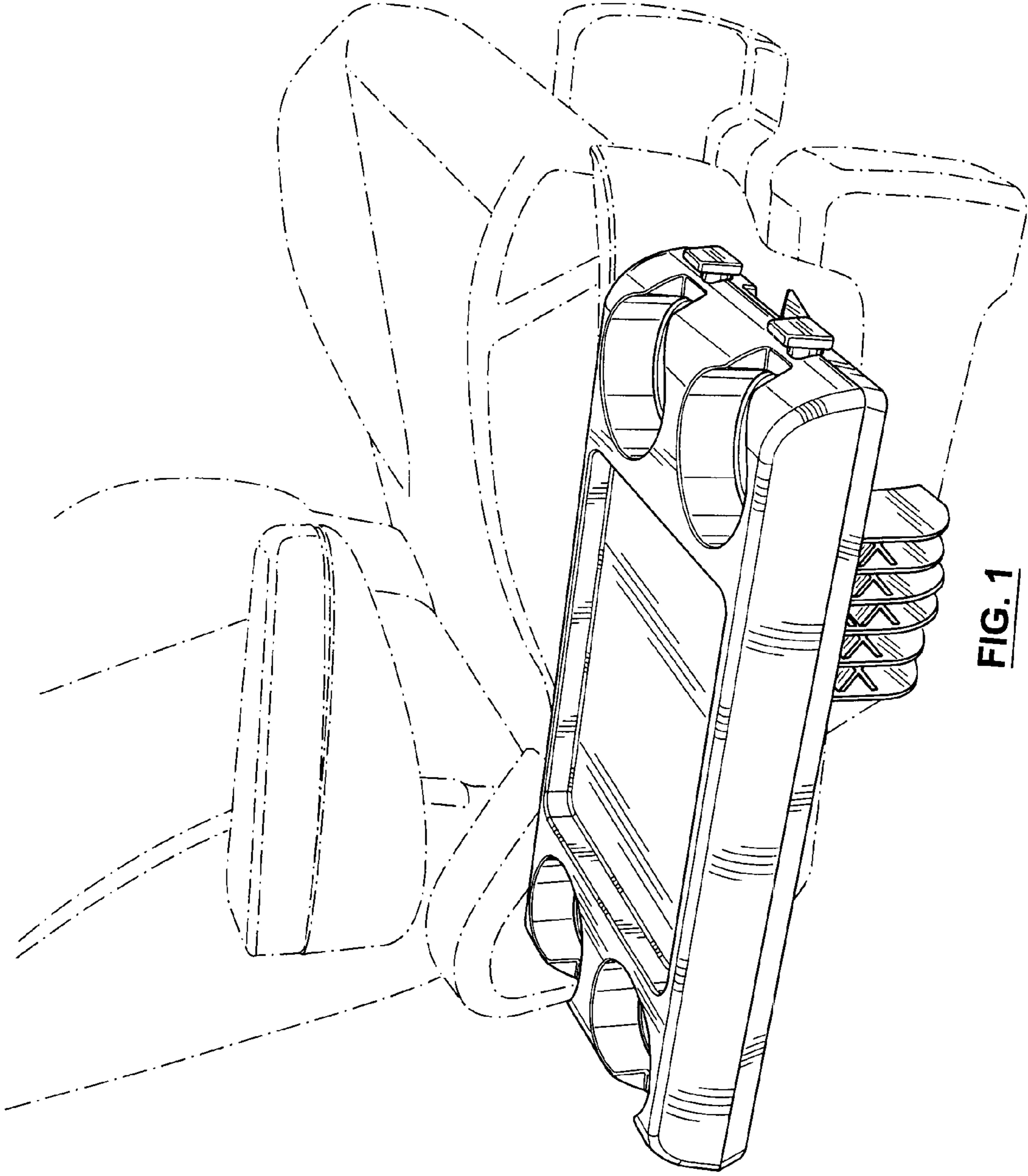


FIG. 1

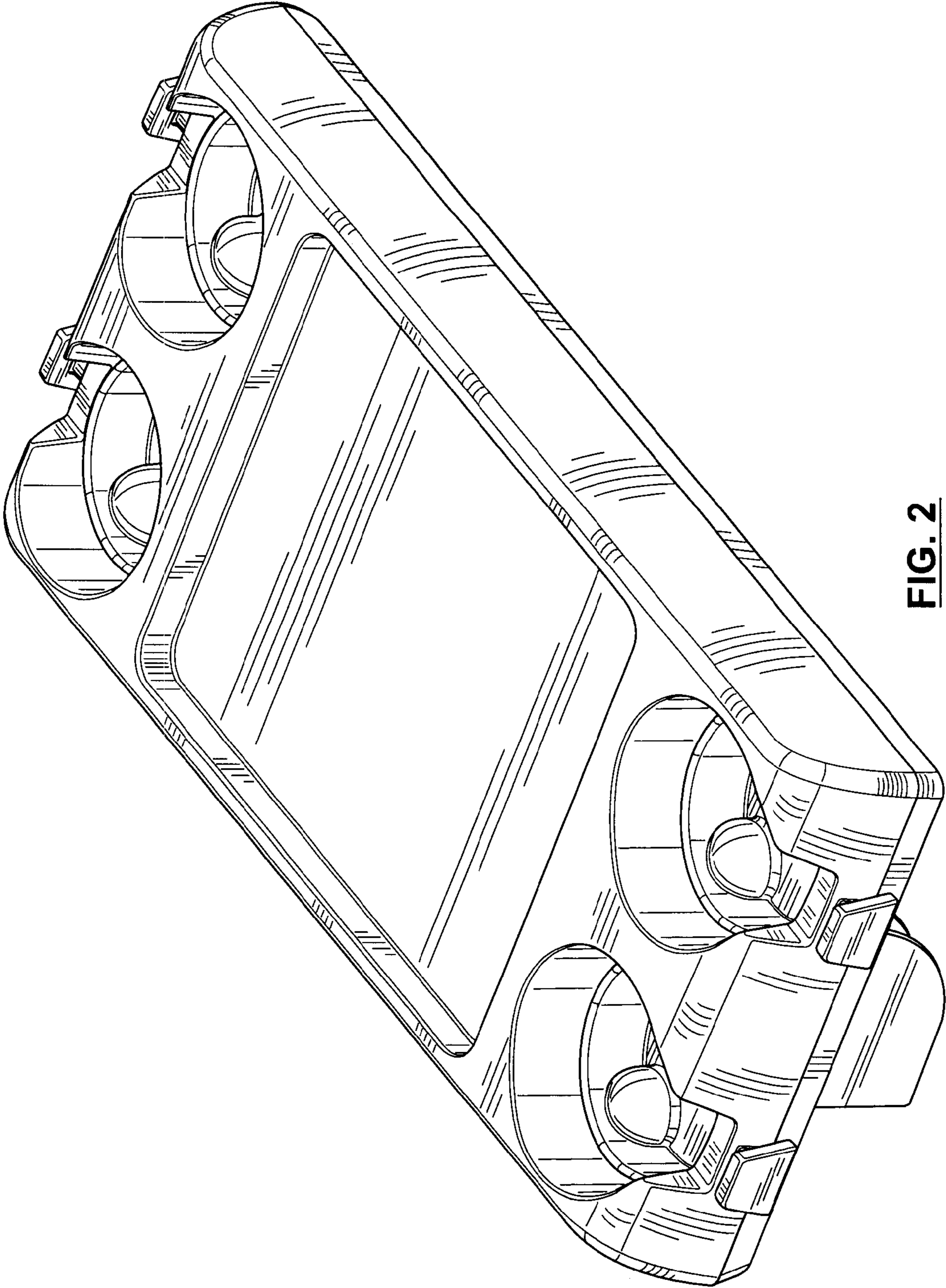


FIG. 2

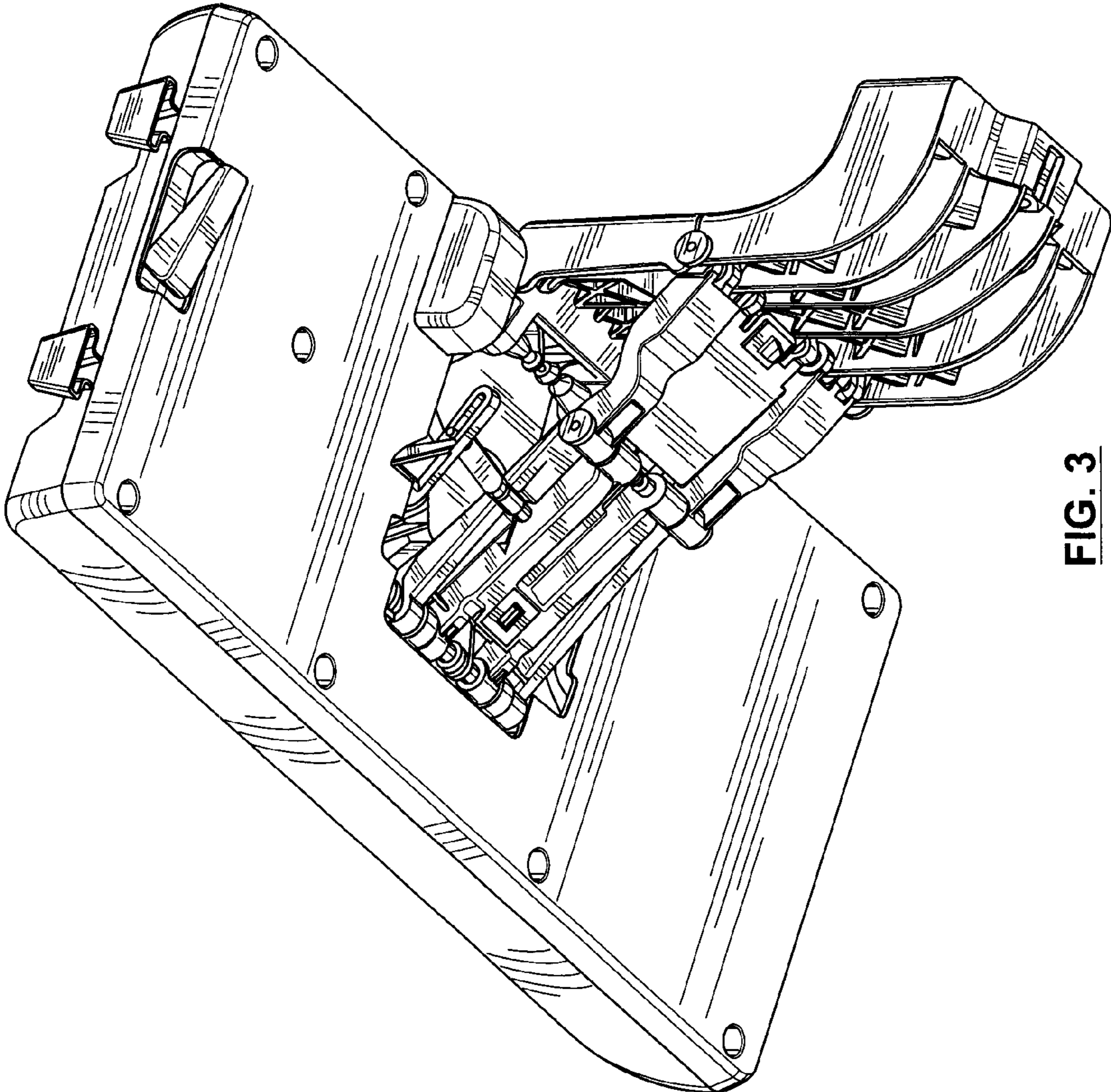


FIG. 3

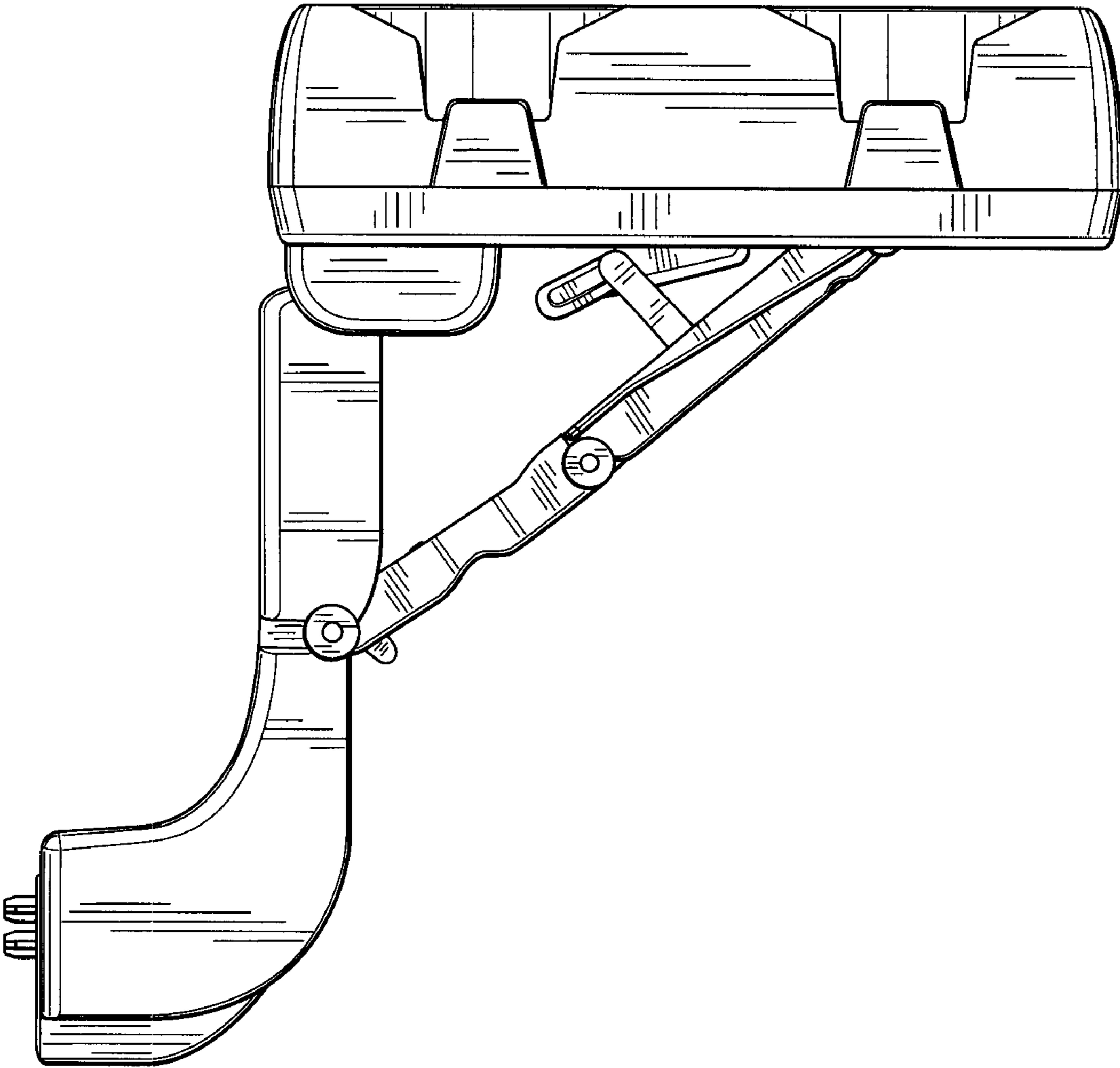


FIG. 4

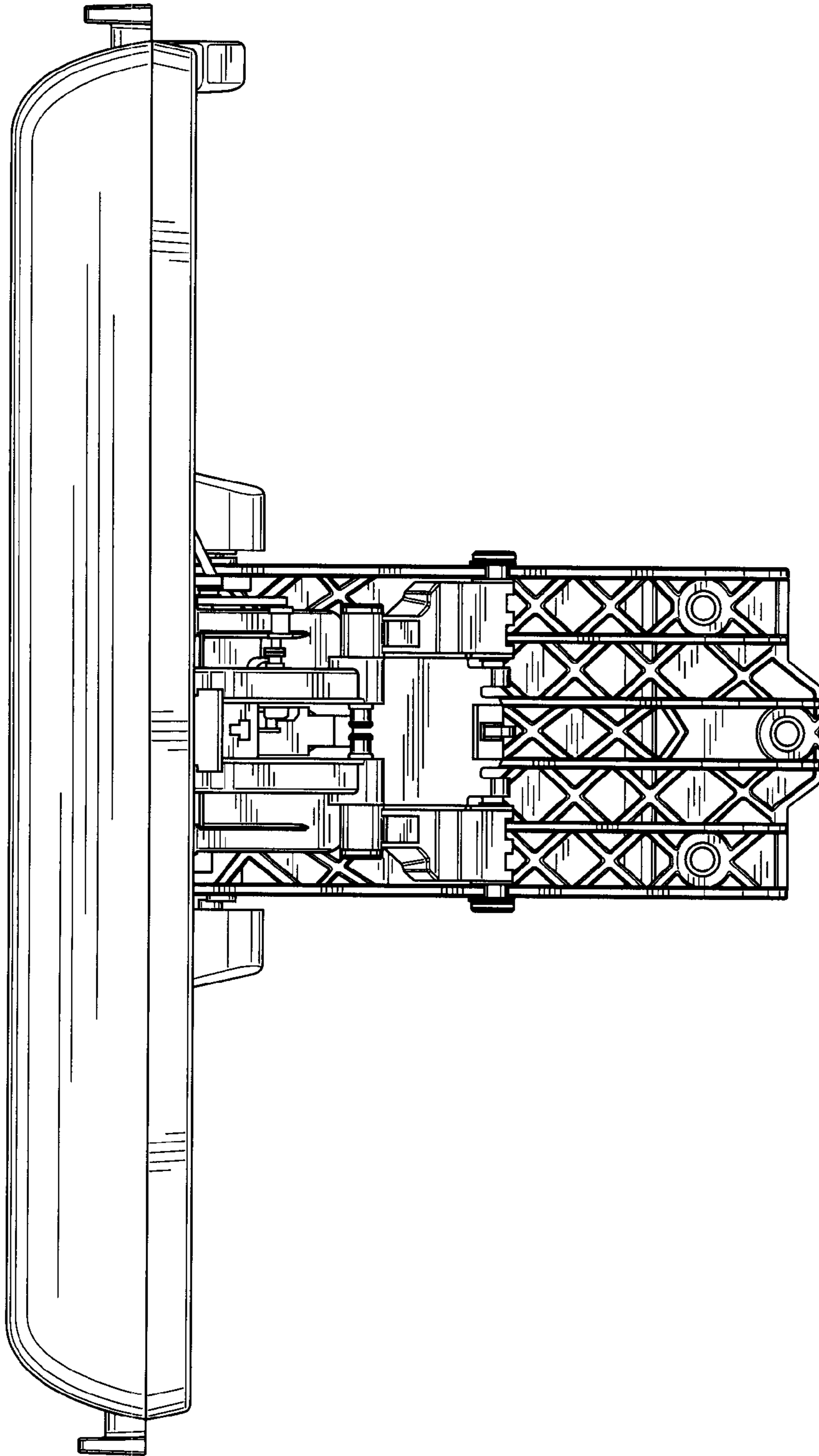


FIG. 5

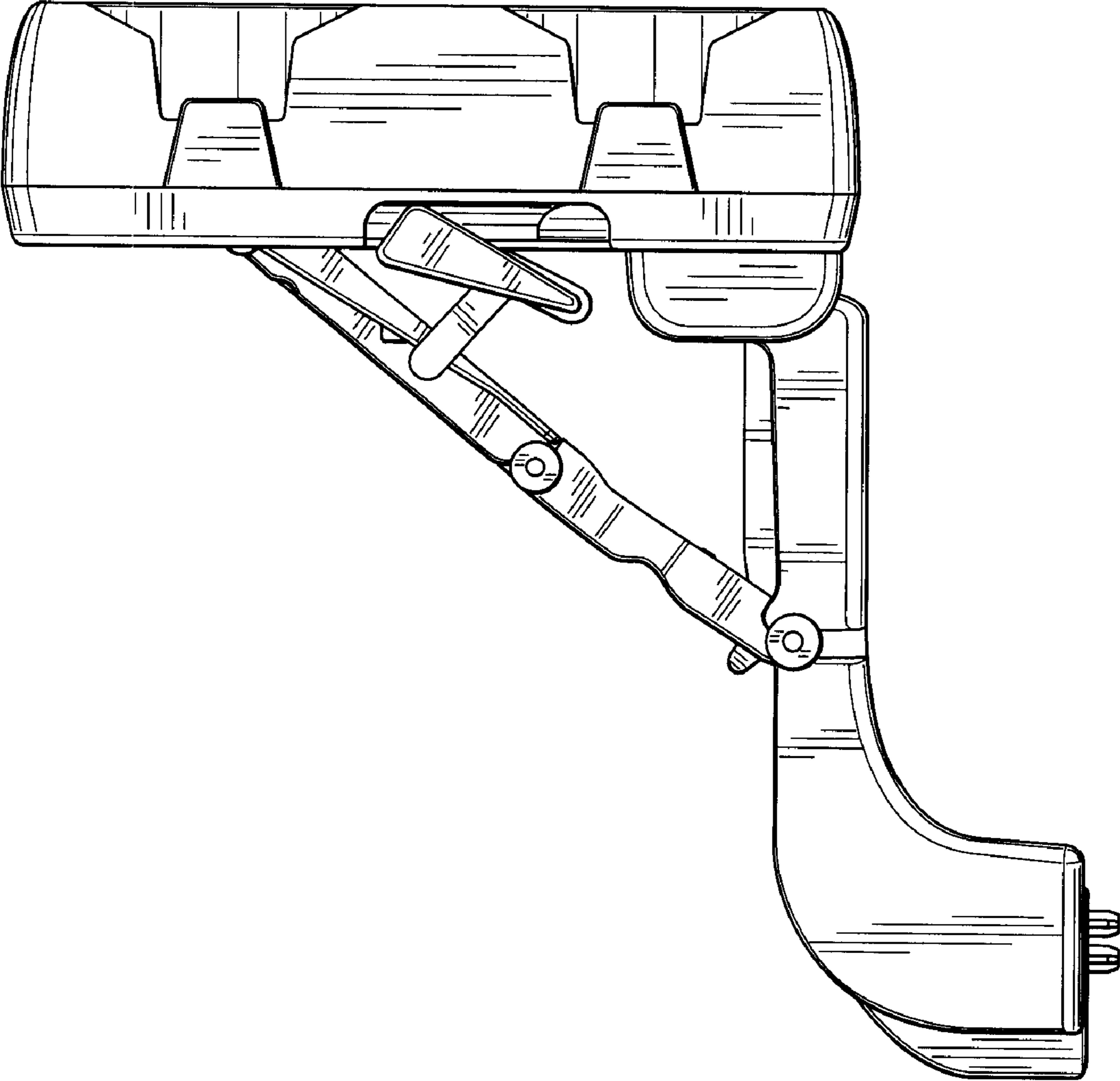


FIG. 6

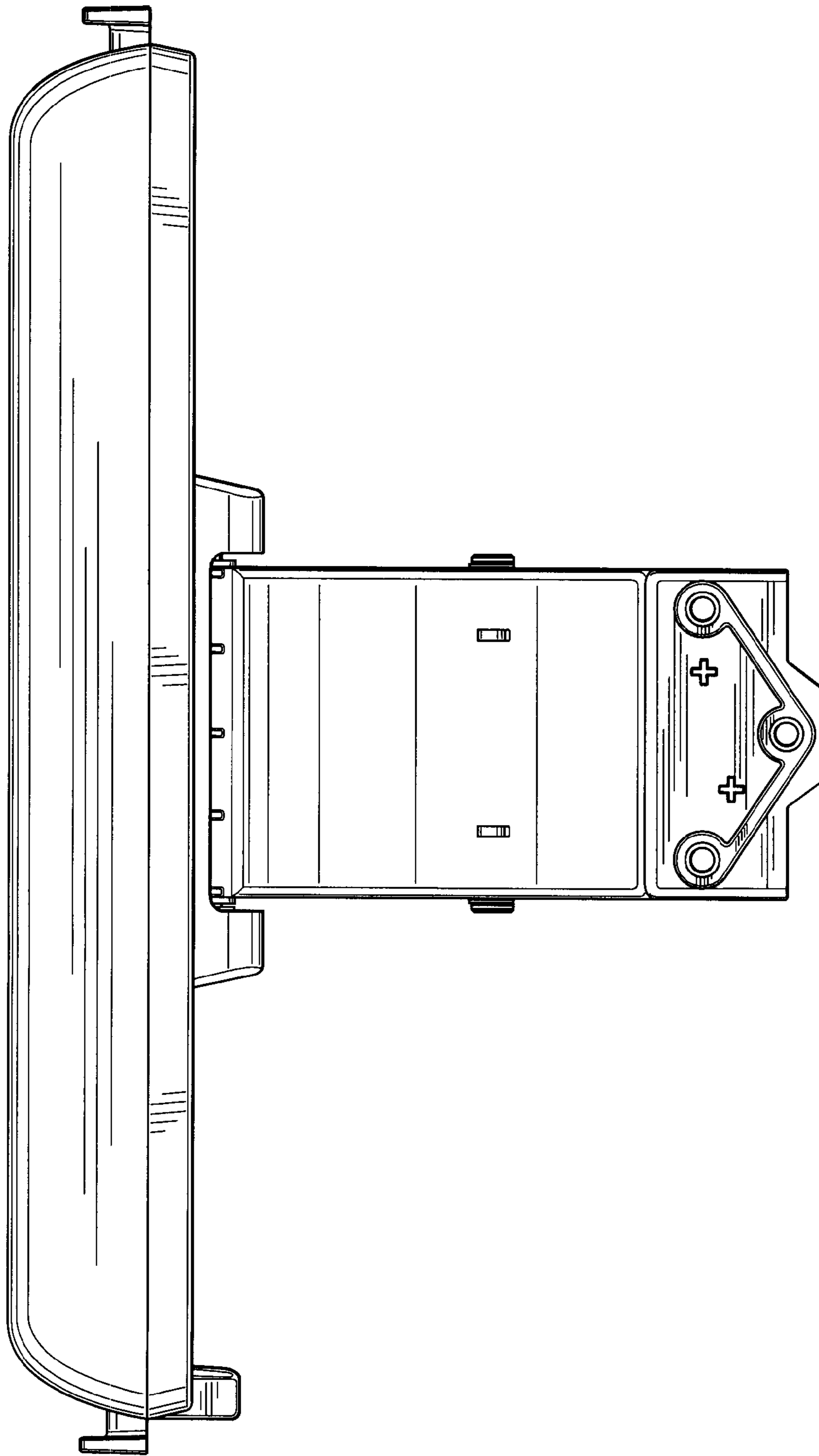


FIG. 7

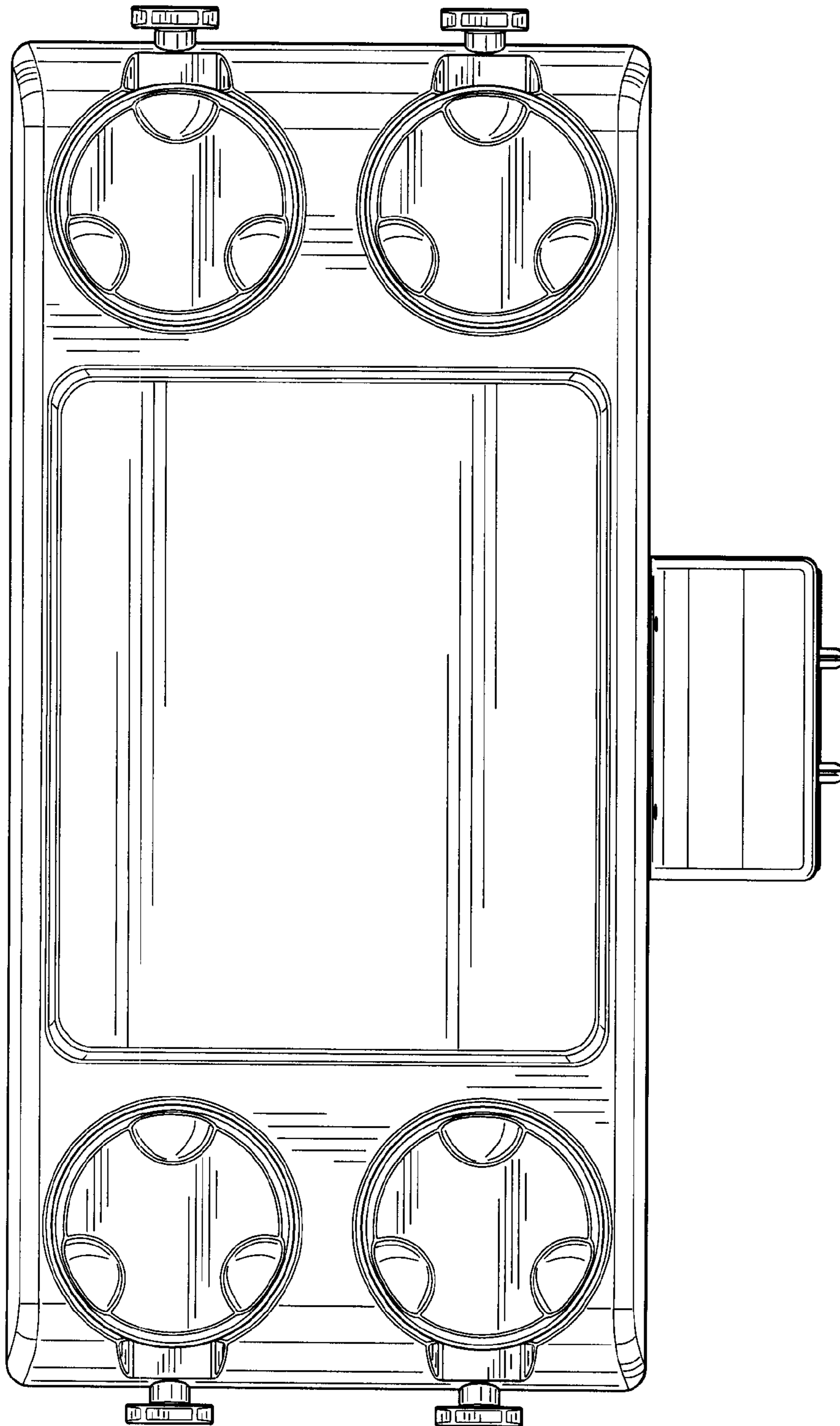


FIG. 8

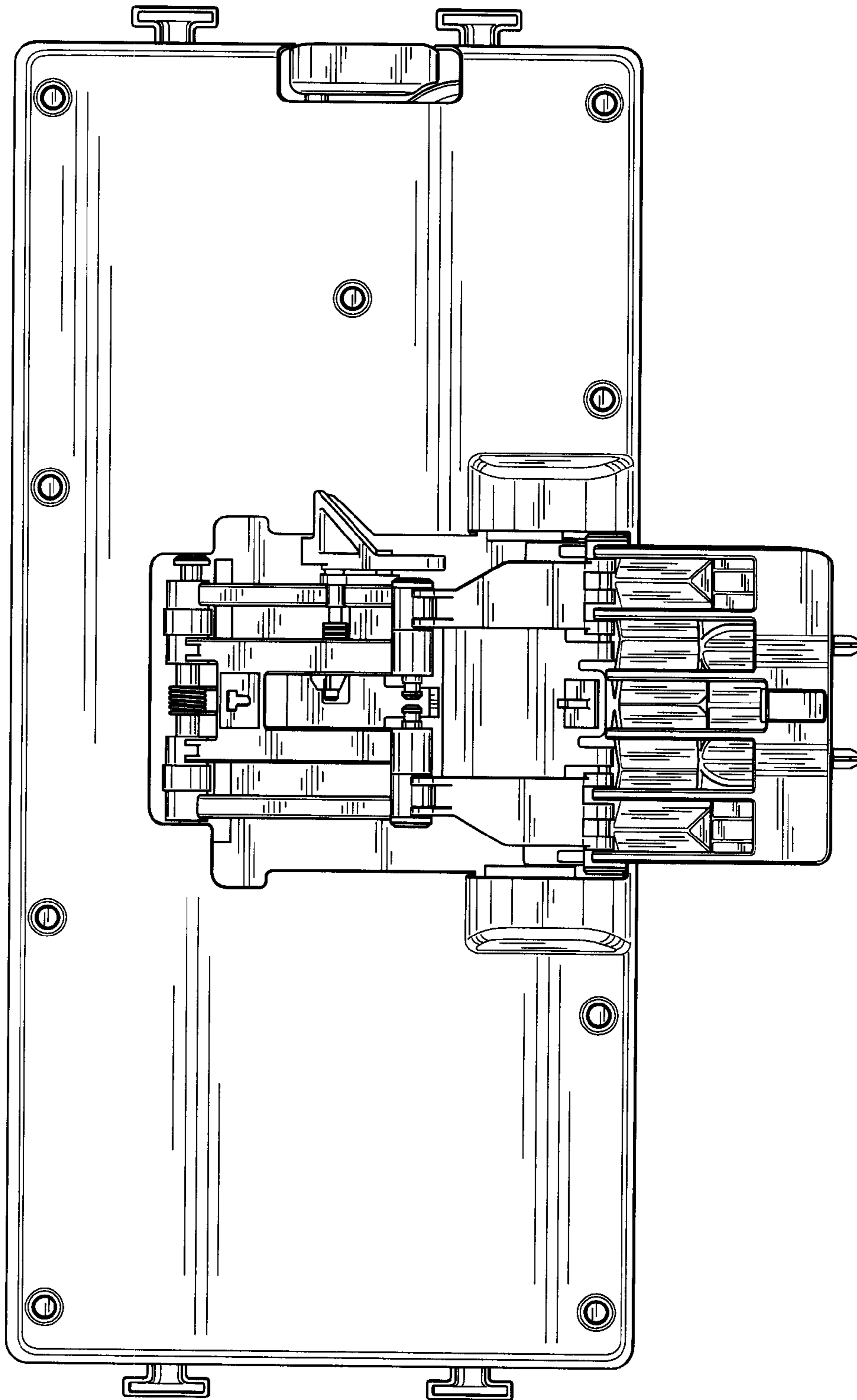


FIG. 9

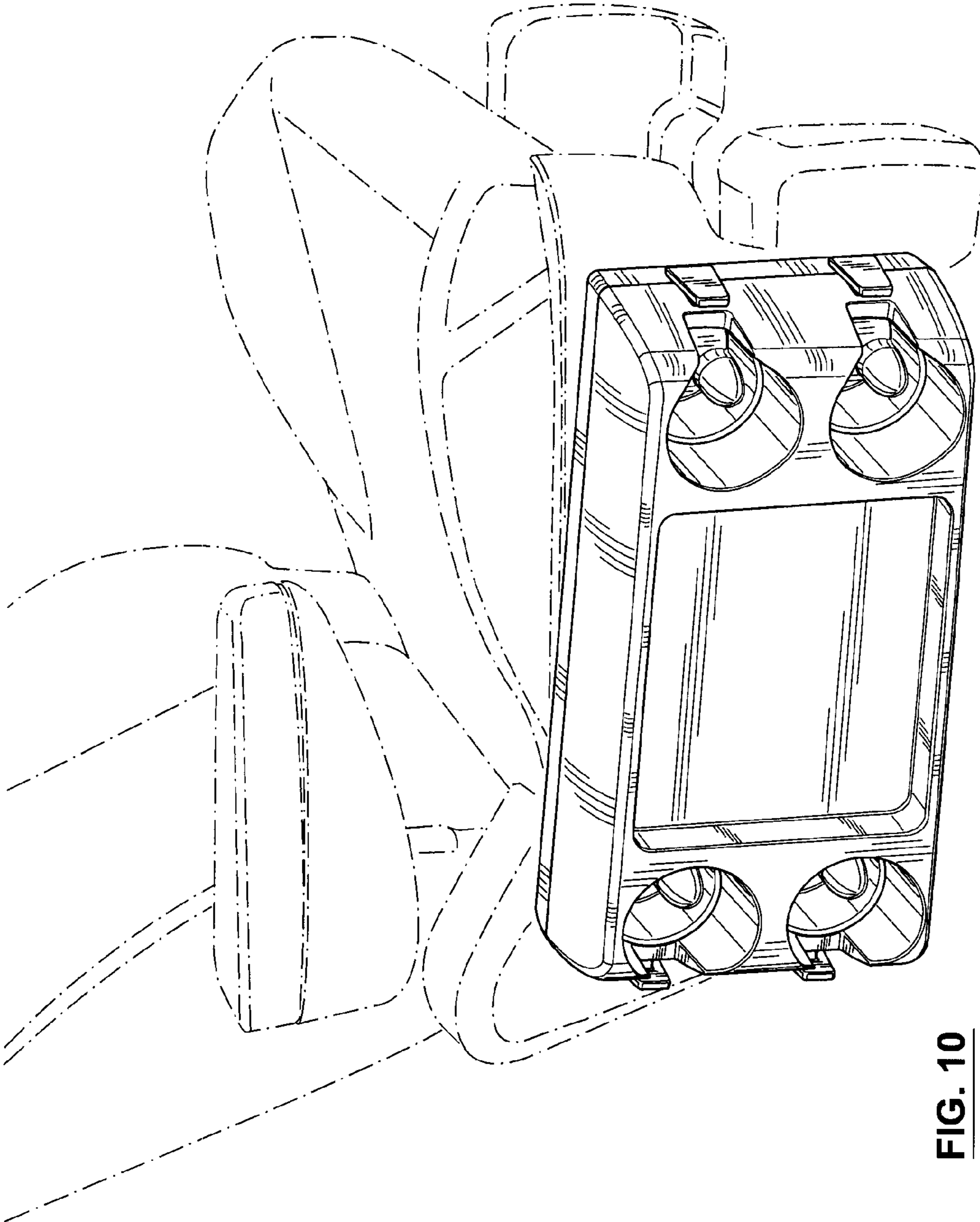


FIG. 10