



US00D534476S

(12) **United States Design Patent**
Valeri

(10) **Patent No.:** **US D534,476 S**

(45) **Date of Patent:** **** Jan. 2, 2007**

(54) **DECORATIVE KIT FOR VEHICLES**

(76) Inventor: **Sue E. Valeri**, 283 Harrison Ave.,
Harrison, NY (US) 10528

(**) Term: **14 Years**

(21) Appl. No.: **29/222,898**

(22) Filed: **Feb. 7, 2005**

(51) **LOC (8) Cl.** **12-16**

(52) **U.S. Cl.** **D12/400**

(58) **Field of Classification Search** D12/400,
D12/190, 199, 197; D11/120, 137, 133-134,
D11/157-158, 125-128, 121, 160, 181-183;
362/249, 252, 806, 808, 503; 428/10, 11,
428/31, 3, 15, 98-99; 248/206.2

See application file for complete search history.

(56) **References Cited**

U.S. PATENT DOCUMENTS

5,016,145 A	5/1991	Singleton	362/503
D384,594 S	* 10/1997	Lara	D11/120
D411,484 S	* 6/1999	Hill	D11/183
D430,100 S	* 8/2000	Shurling	D12/400
6,158,702 A	12/2000	Kump	248/206.2
D437,252 S	* 2/2001	Schultz	D11/120

D469,395 S	*	1/2003	Himsl et al.	D12/400
D471,508 S	*	3/2003	Schifrin	D12/400
D488,427 S	*	4/2004	Cowling	D12/400

* cited by examiner

Primary Examiner—Stacia Cadmus

(74) *Attorney, Agent, or Firm*—Richard C. Litman

(57) **CLAIM**

The ornamental design for a decorative kit for vehicles, as shown and described.

DESCRIPTION

FIG. 1 is an environmental front view of a decorative kit for vehicles showing my new design;

FIG. 2 is a front perspective view thereof;

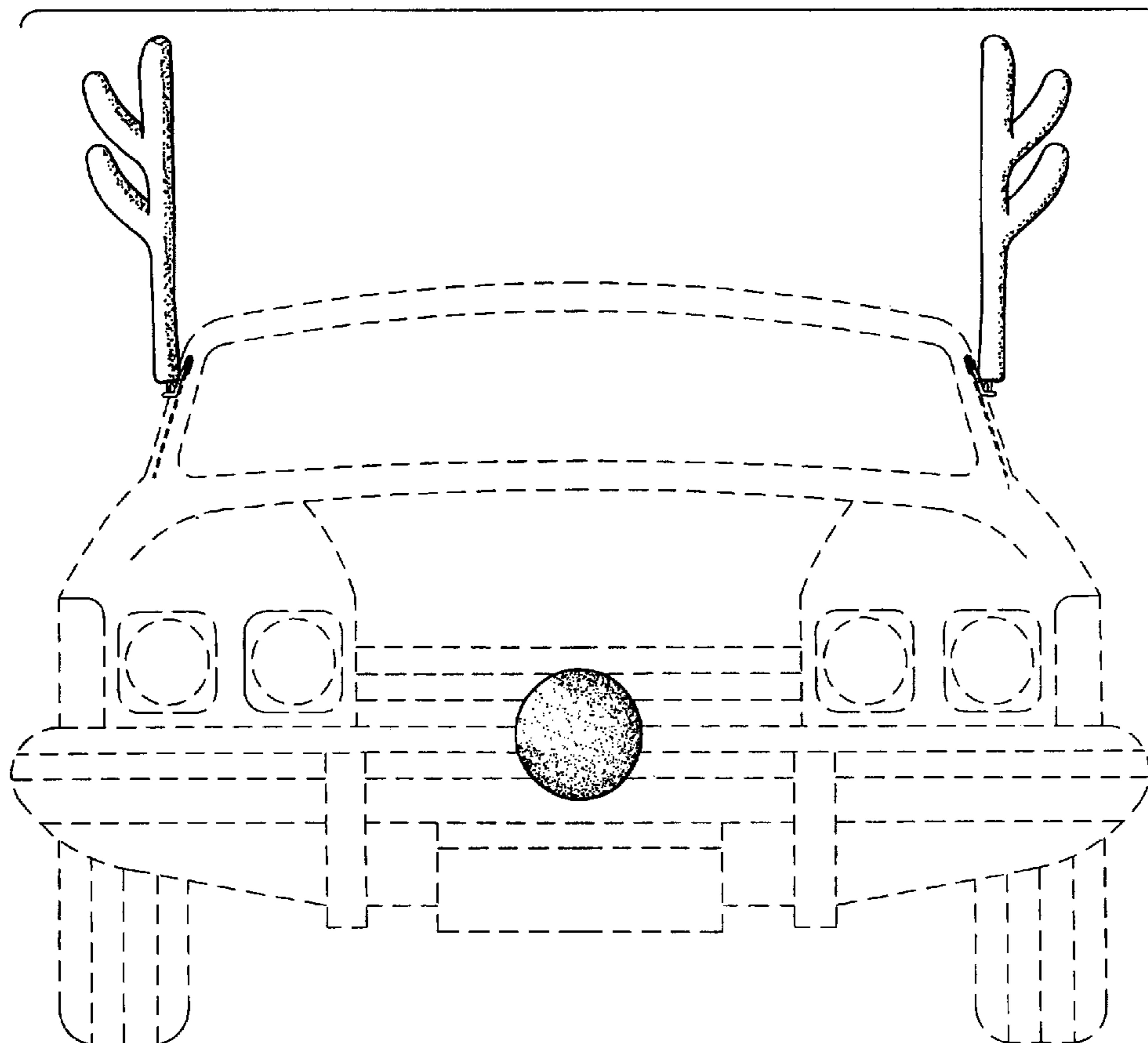
FIG. 3 is a rear perspective view thereof; and,

FIG. 4 is an environmental top plan view thereof.

The broken line showing of the vehicle in FIG. 1 is for illustrative purposes only and forms no part of the claimed design. The broken line showing of the vehicle attachment in FIG. 4 is for illustrative purposes only, merely disclosing the types of attachments which may be used, and forms no part of the claimed design.

The kit is shown on an enlarged scale in FIGS. 2-4.

1 Claim, 4 Drawing Sheets



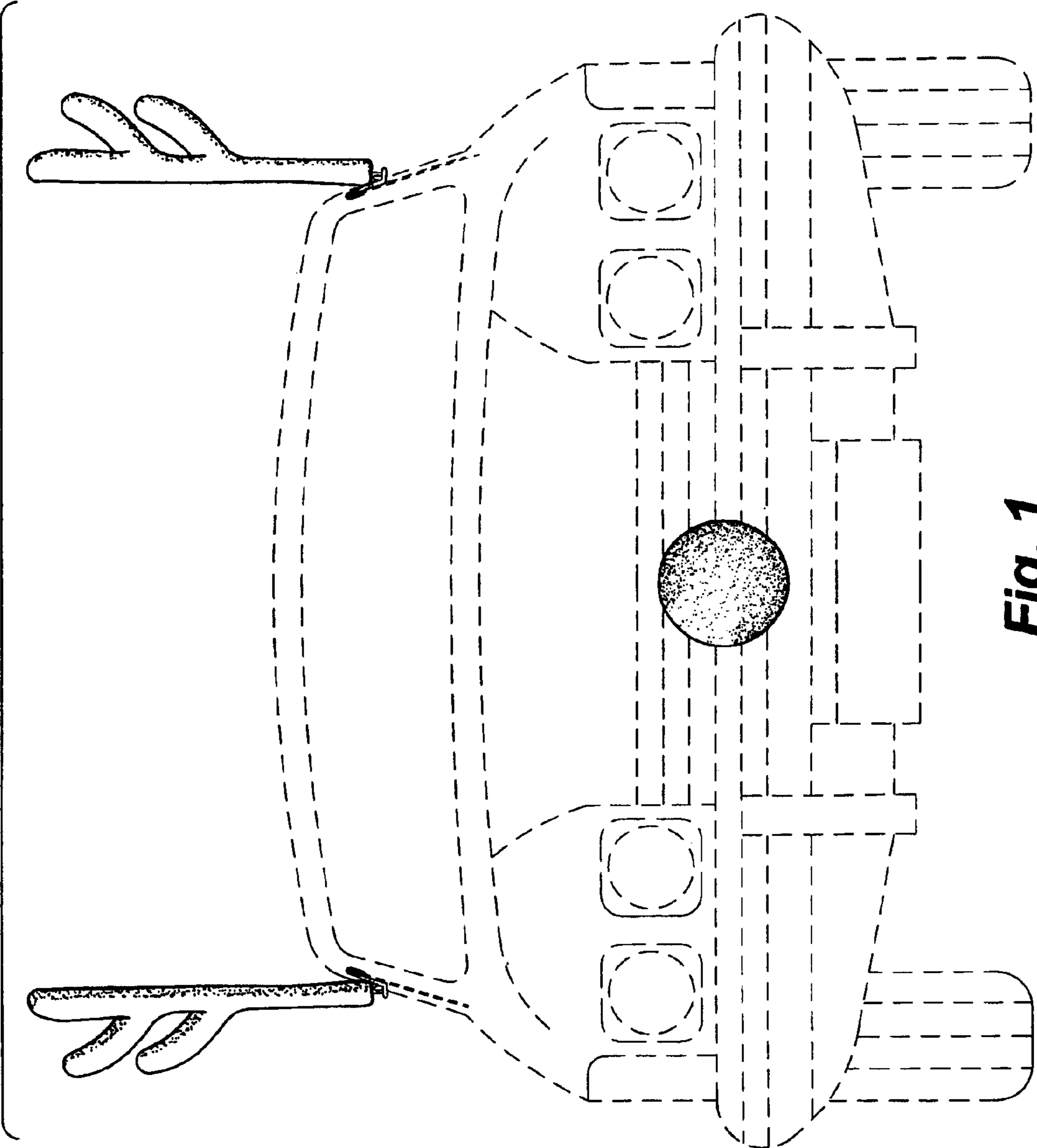


Fig. 1

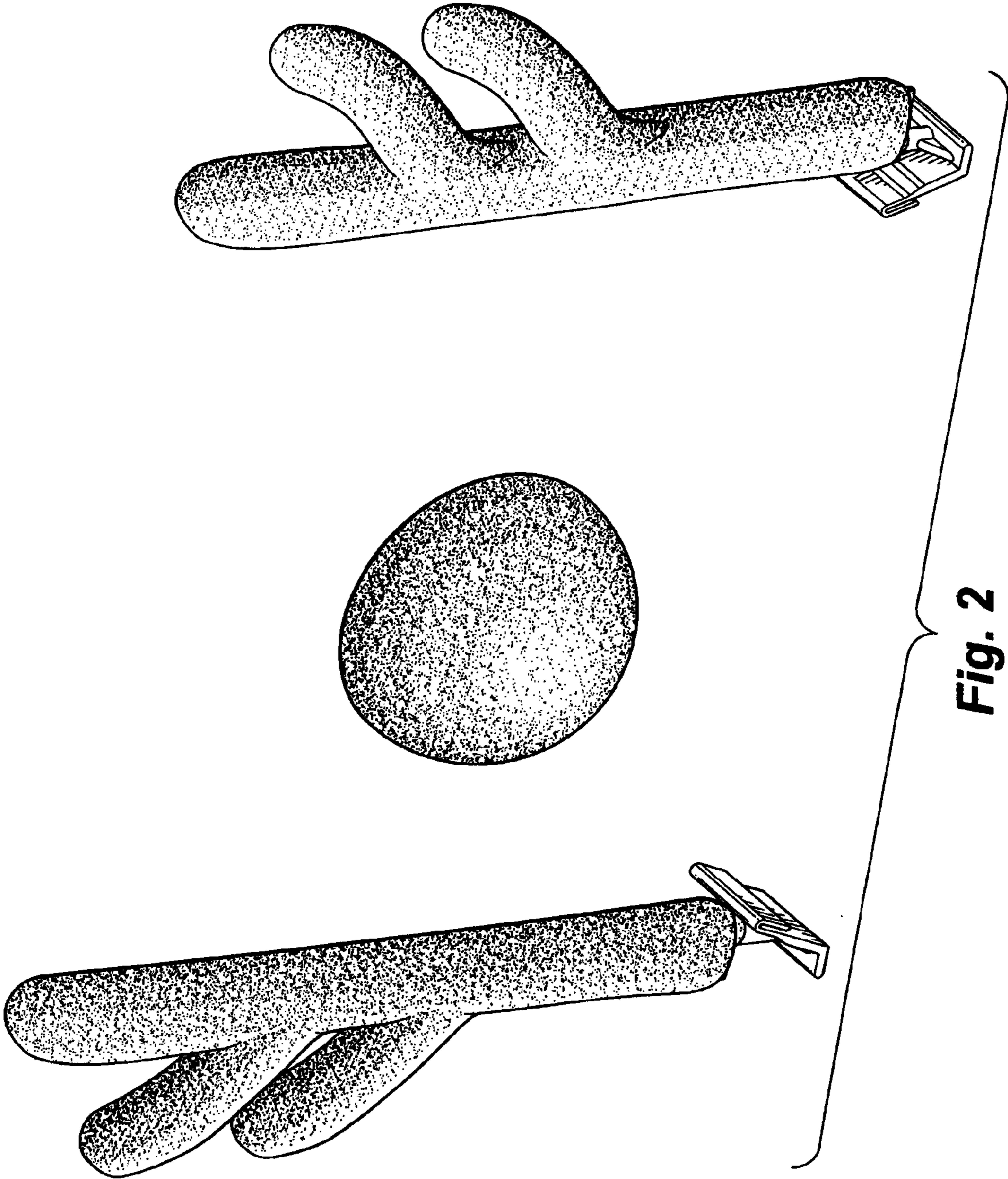
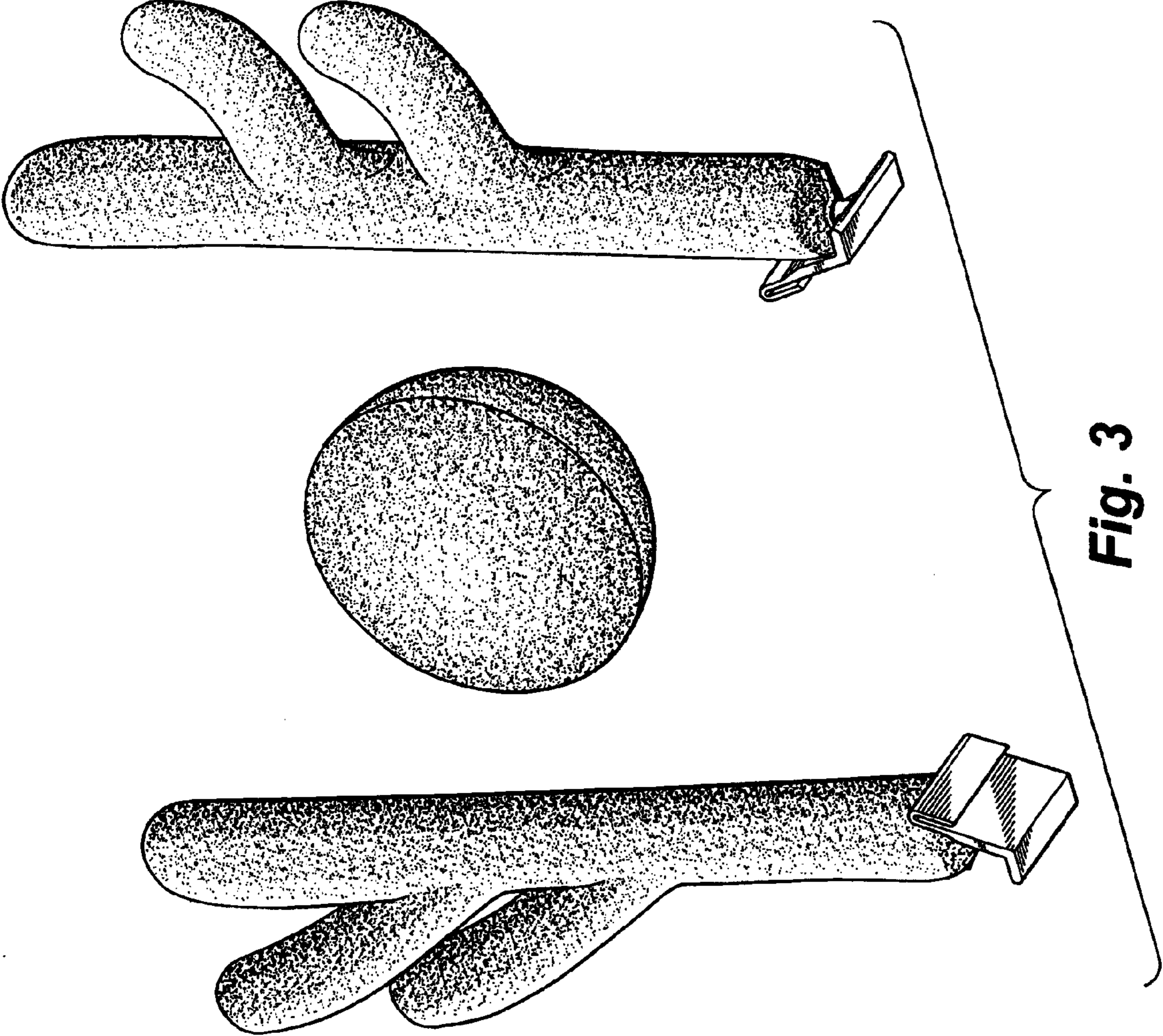


Fig. 2



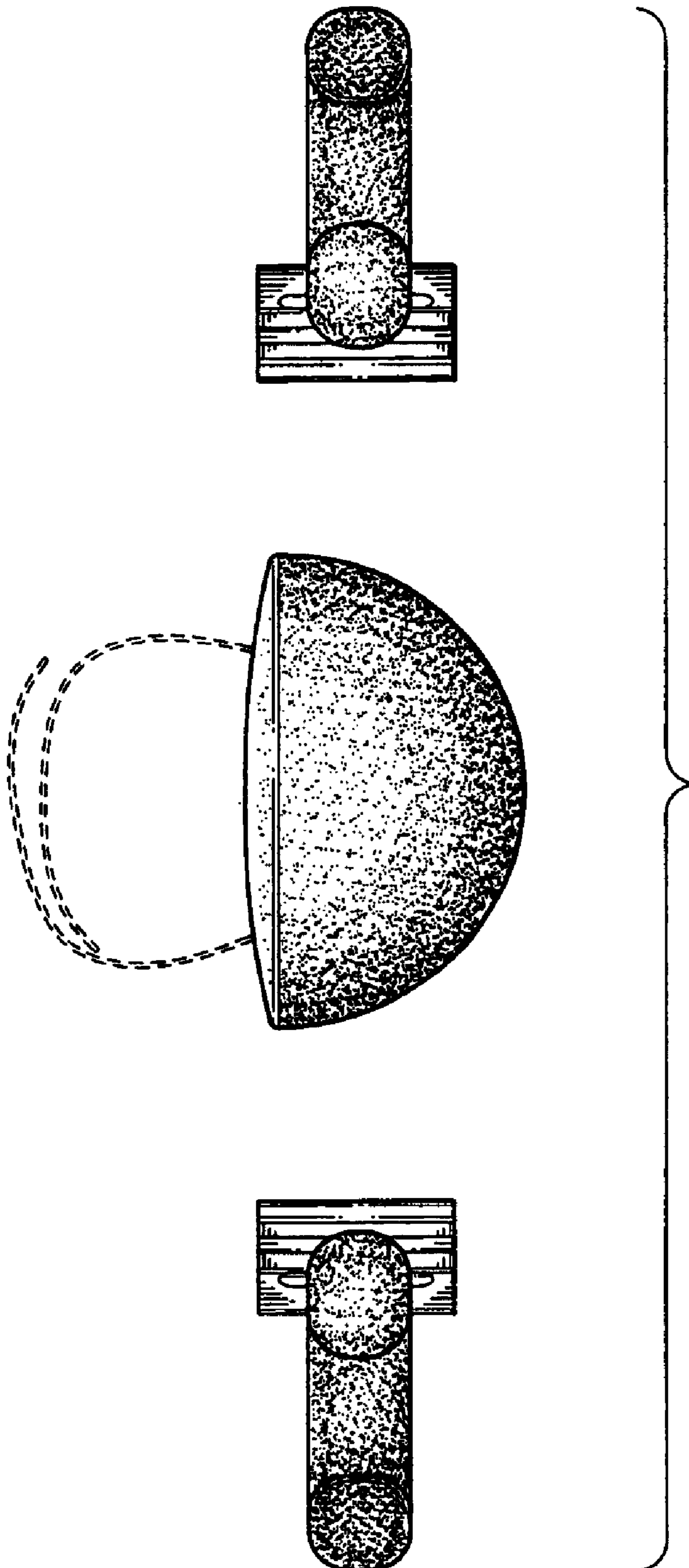


Fig. 4